



US00D470217S

(12) **United States Design Patent**
Morris

(10) **Patent No.:** **US D470,217 S**

(45) **Date of Patent:** **** Feb. 11, 2003**

(54) **AQUARIUM FILTER**

(76) Inventor: **Barrington A. Morris**, 5315 NW. 10th
Ter., Ft. Lauderdale, FL (US) 33309

(**) Term: **14 Years**

(21) Appl. No.: **29/161,469**

(22) Filed: **May 30, 2002**

(51) **LOC (7) Cl.** **23-01**

(52) **U.S. Cl.** **D23/210**

(58) **Field of Search** D23/209, 210;
210/416.2, 169

(56) **References Cited**

U.S. PATENT DOCUMENTS

D248,965 S	*	8/1978	Willinger	D23/210
D268,607 S	*	4/1983	Malik	D23/210
D296,001 S	*	5/1988	Ng	D23/210

* cited by examiner

Primary Examiner—Robin V. Taylor

(74) *Attorney, Agent, or Firm*—Mark D. Bowen; Stearns
Weaver Miller Weissler Alhadef & Sitterson, P.A.

(57) **CLAIM**

The ornamental design for an aquarium filter, as shown and
described.

DESCRIPTION

FIG. 1 is a top perspective view of an aquarium filter
according to the present invention;

FIG. 2 is a rear view thereof;

FIG. 3 is a front view thereof;

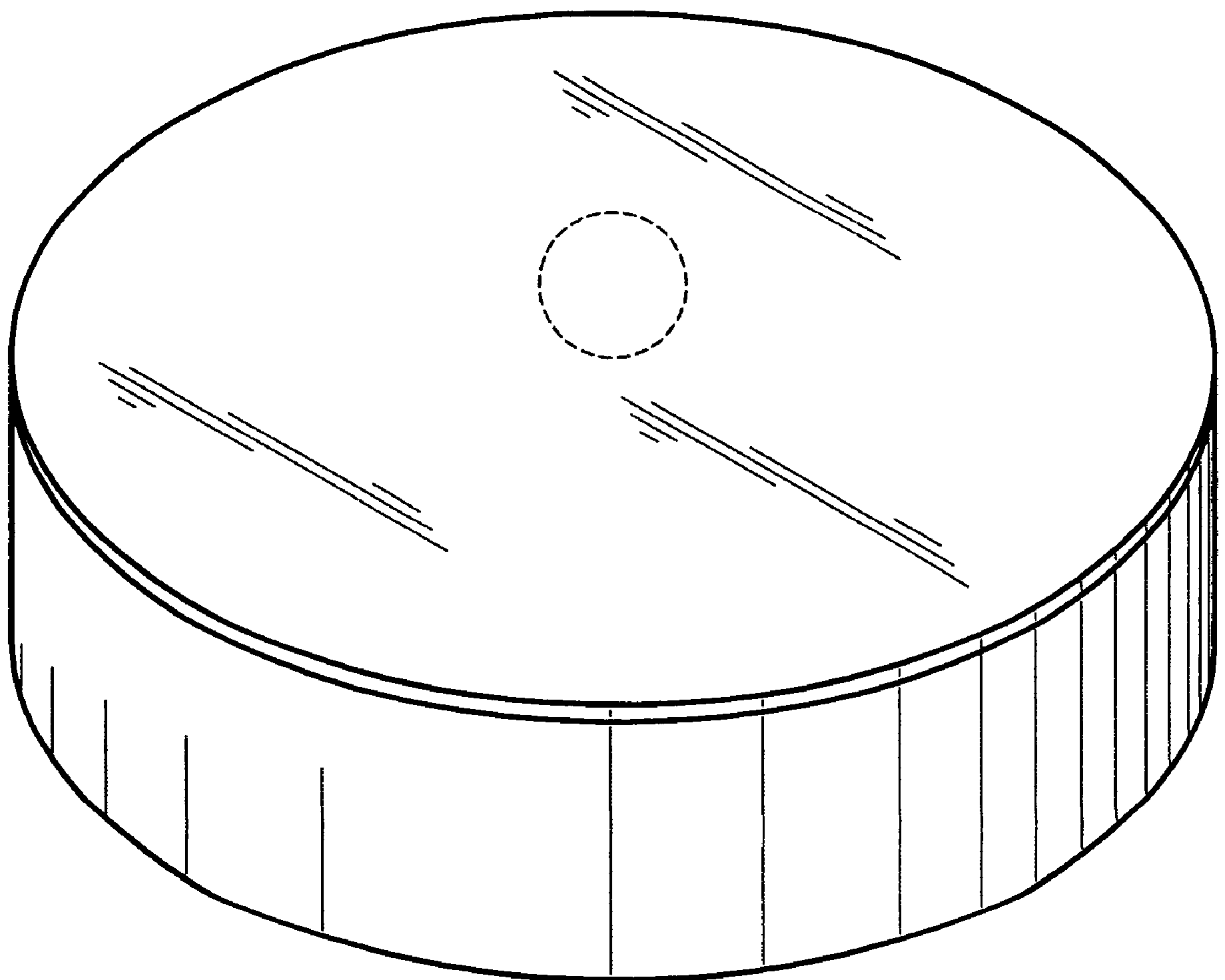
FIG. 4 is a right side view thereof;

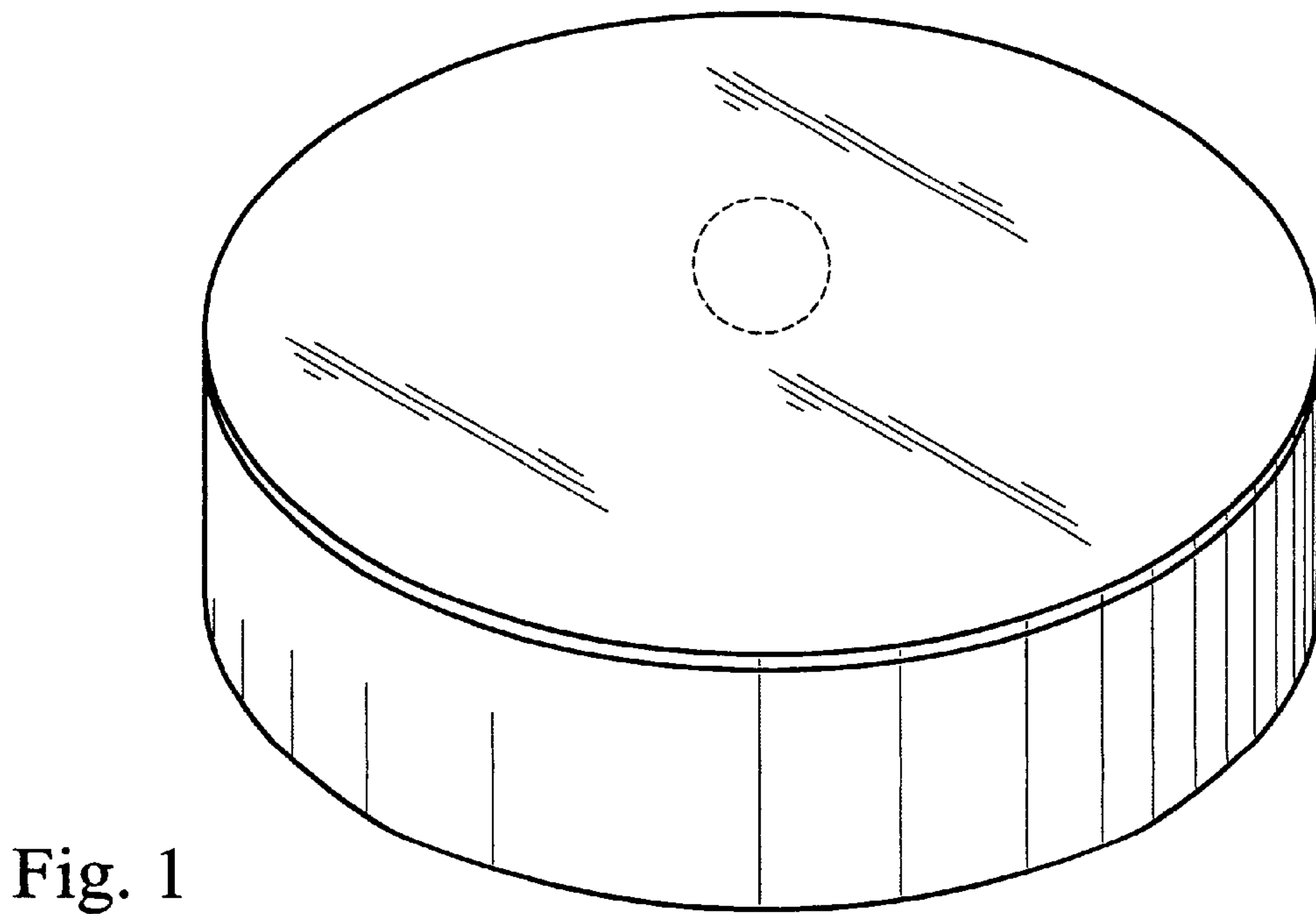
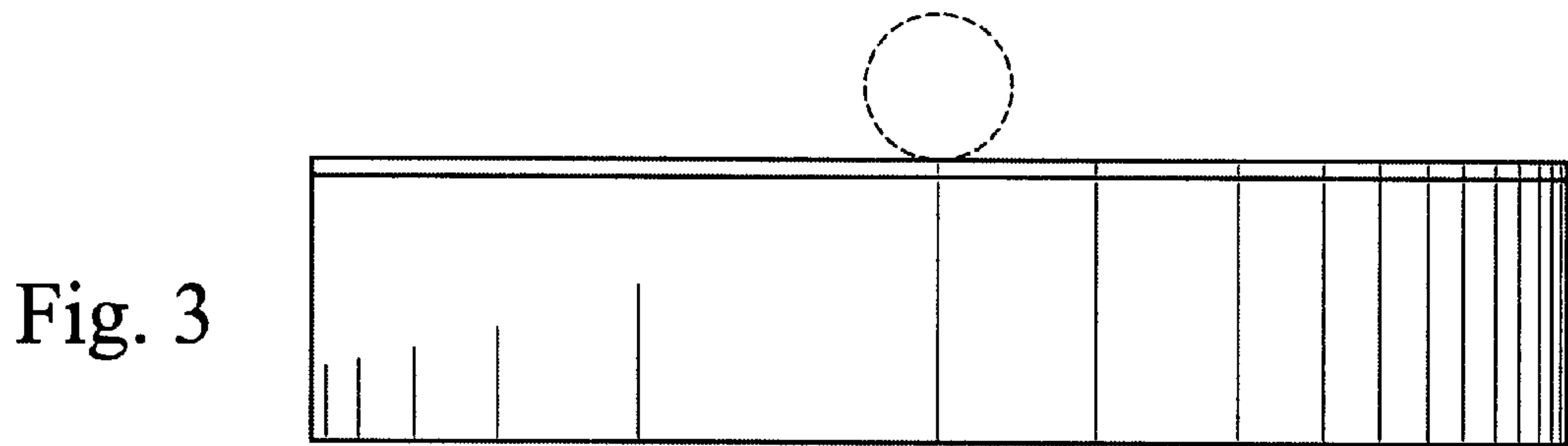
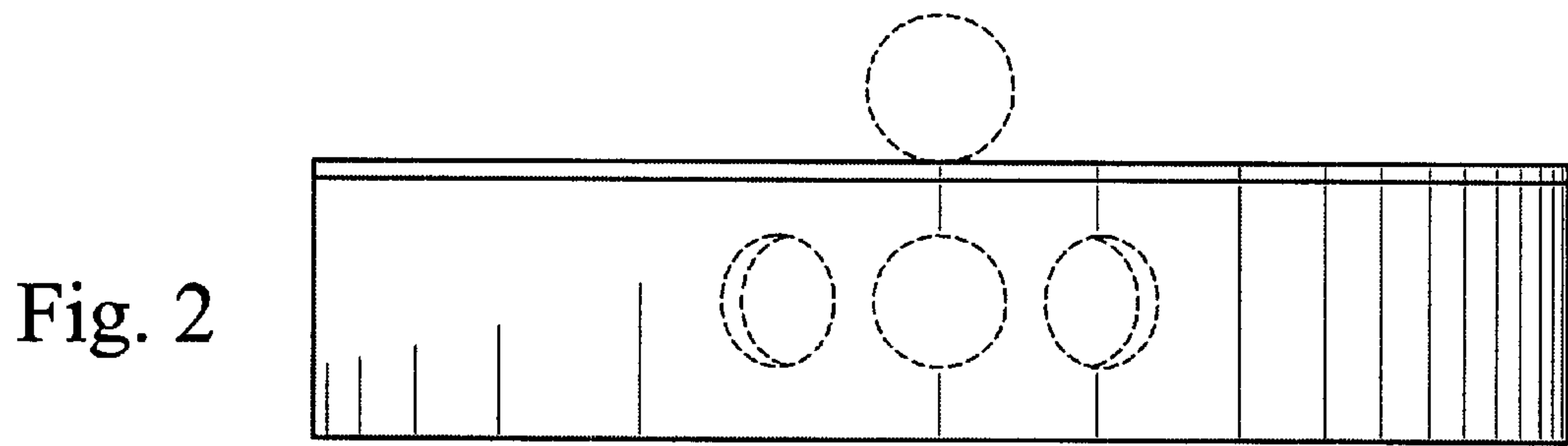
FIG. 5 is a top view thereof; and,

FIG. 6 is a bottom view thereof.

Elements depicted with broken lines do not constitute por-
tions of the claimed design.

1 Claim, 2 Drawing Sheets





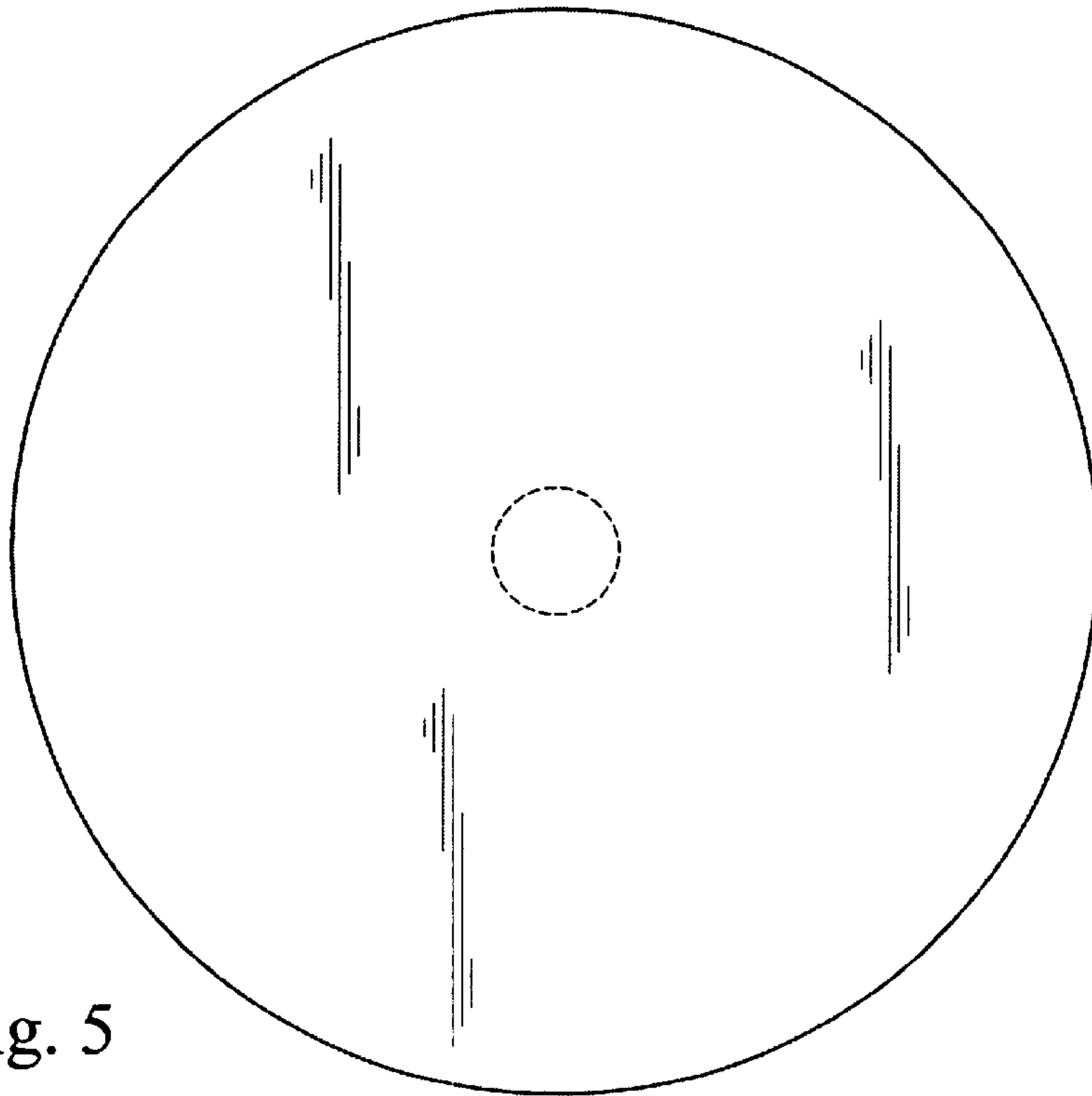


Fig. 5

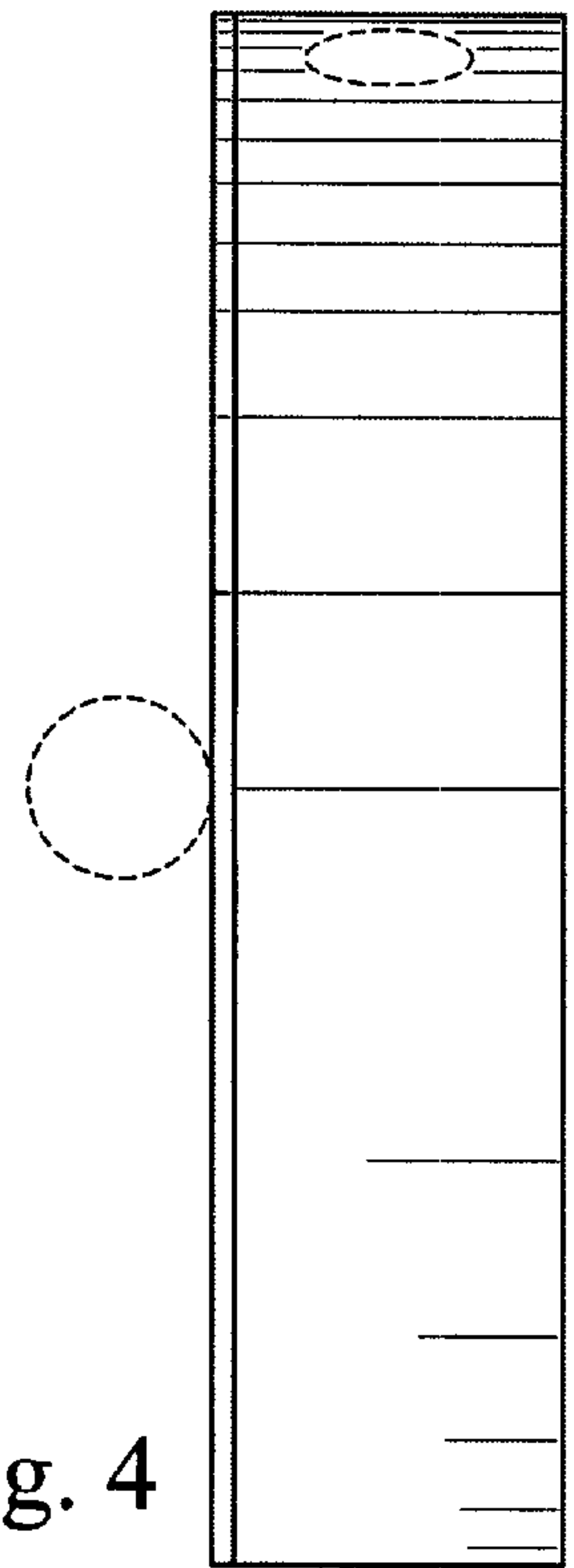


Fig. 4

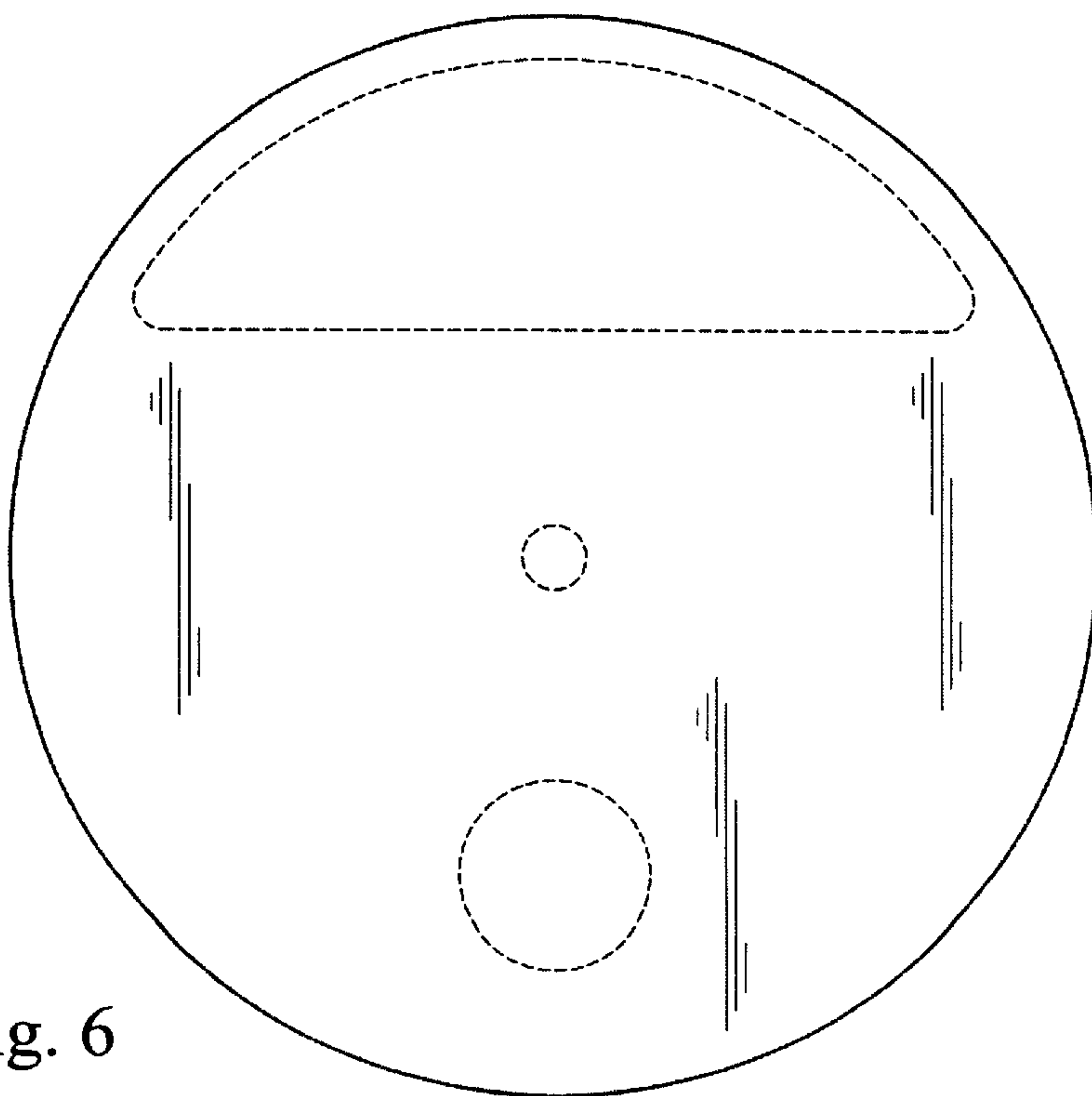


Fig. 6