



US00D470216S

(12) **United States Design Patent**
Gustafson et al.

(10) **Patent No.:** **US D470,216 S**

(45) **Date of Patent:** **** Feb. 11, 2003**

(54) **FILTER ELEMENT**

(75) Inventors: **Michael J. Gustafson**, Burnsville, MN (US); **Bernard A. Matthys**, Apple Valley, MN (US); **Eivind Stenersen**, River Falls, WI (US); **Brent A. Gulsvig**, Faribault, MN (US)

(73) Assignee: **Donaldson Company, Inc.**, Minneapolis, MN (US)

(**) Term: **14 Years**

(21) Appl. No.: **29/158,128**

(22) Filed: **Mar. 28, 2002**

(51) **LOC (7) Cl.** **23-01**

(52) **U.S. Cl.** **D23/209**

(58) **Field of Search** D23/207, 209, D23/365; 210/493.1, 493.2, 493.5

(56) **References Cited**

U.S. PATENT DOCUMENTS

- 4,560,477 A * 12/1985 Moldow 210/439.1
- D306,640 S * 3/1990 Kott D23/209
- 5,035,797 A 7/1991 Janik
- 5,549,821 A 8/1996 Bounnakhom et al.
- 5,556,542 A 9/1996 Berman et al.
- 5,681,461 A 10/1997 Gullett et al.

- 5,685,985 A 11/1997 Brown et al.
- 5,702,602 A 12/1997 Brown et al.
- 5,738,785 A 4/1998 Brown et al.
- 5,741,421 A * 4/1998 Erdmannsdoerfer et al. 210/493.2
- 5,770,065 A 6/1998 Popoff et al.
- D402,735 S * 12/1998 Kott D23/209
- 5,846,416 A 12/1998 Gullett
- D403,740 S * 1/1999 Kott D23/209

* cited by examiner

Primary Examiner—Robin V. Taylor

(74) *Attorney, Agent, or Firm*—Merchant & Gould P.C.

(57) **CLAIM**

The ornamental design for filter element, as shown and described.

DESCRIPTION

FIG. 1 is a perspective view of a filter element embodying our new design;
 FIG. 2 is a front side elevational view thereof;
 FIG. 3 is a rear side elevational view thereof;
 FIG. 4 is a right side elevational view thereof;
 FIG. 5 is a left side elevational view thereof;
 FIG. 6 is a top plan view thereof;
 FIG. 7 is a bottom plan view thereof; and,
 FIG. 8 is a perspective view thereof.

1 Claim, 7 Drawing Sheets

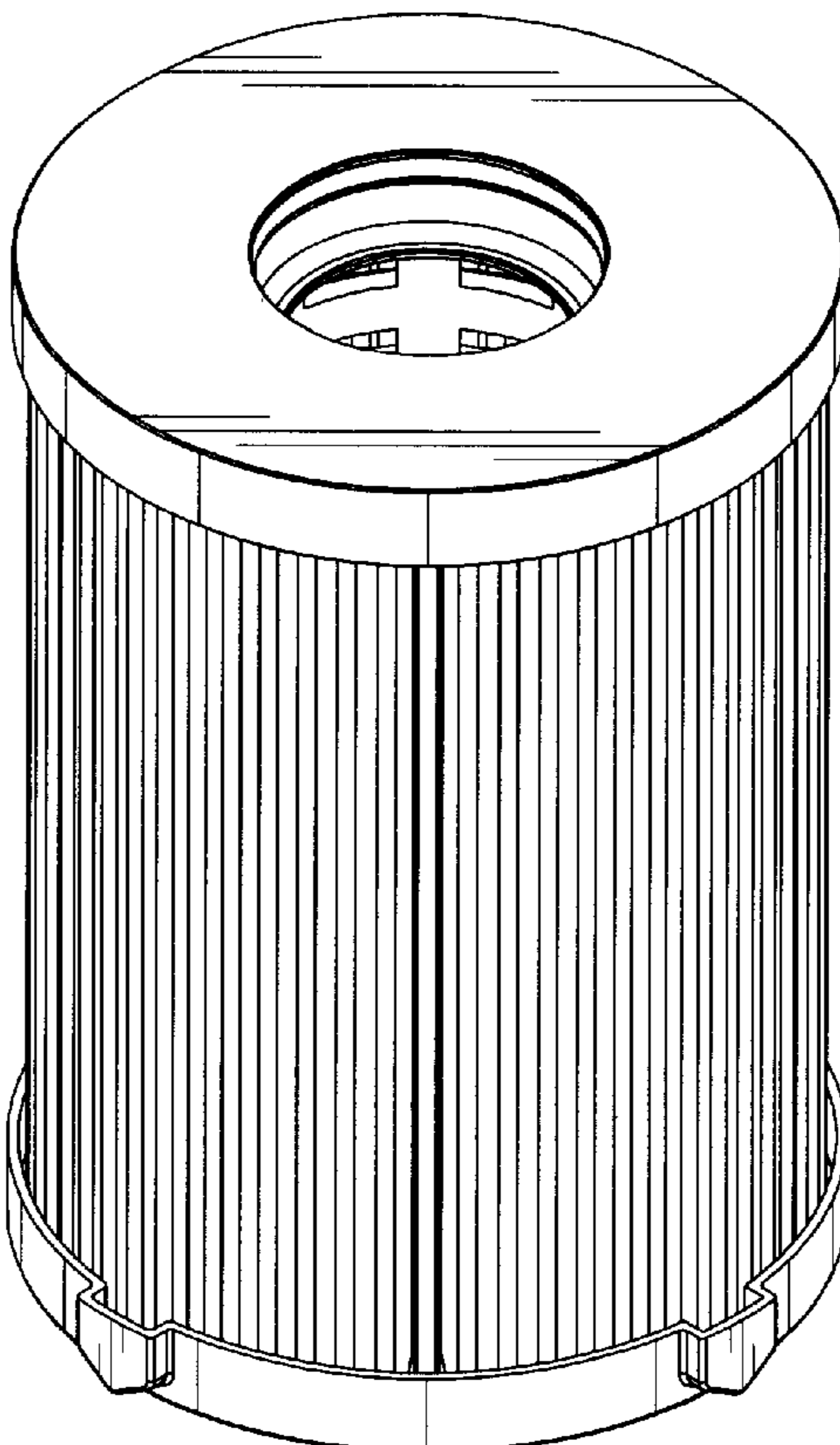


FIG. 1

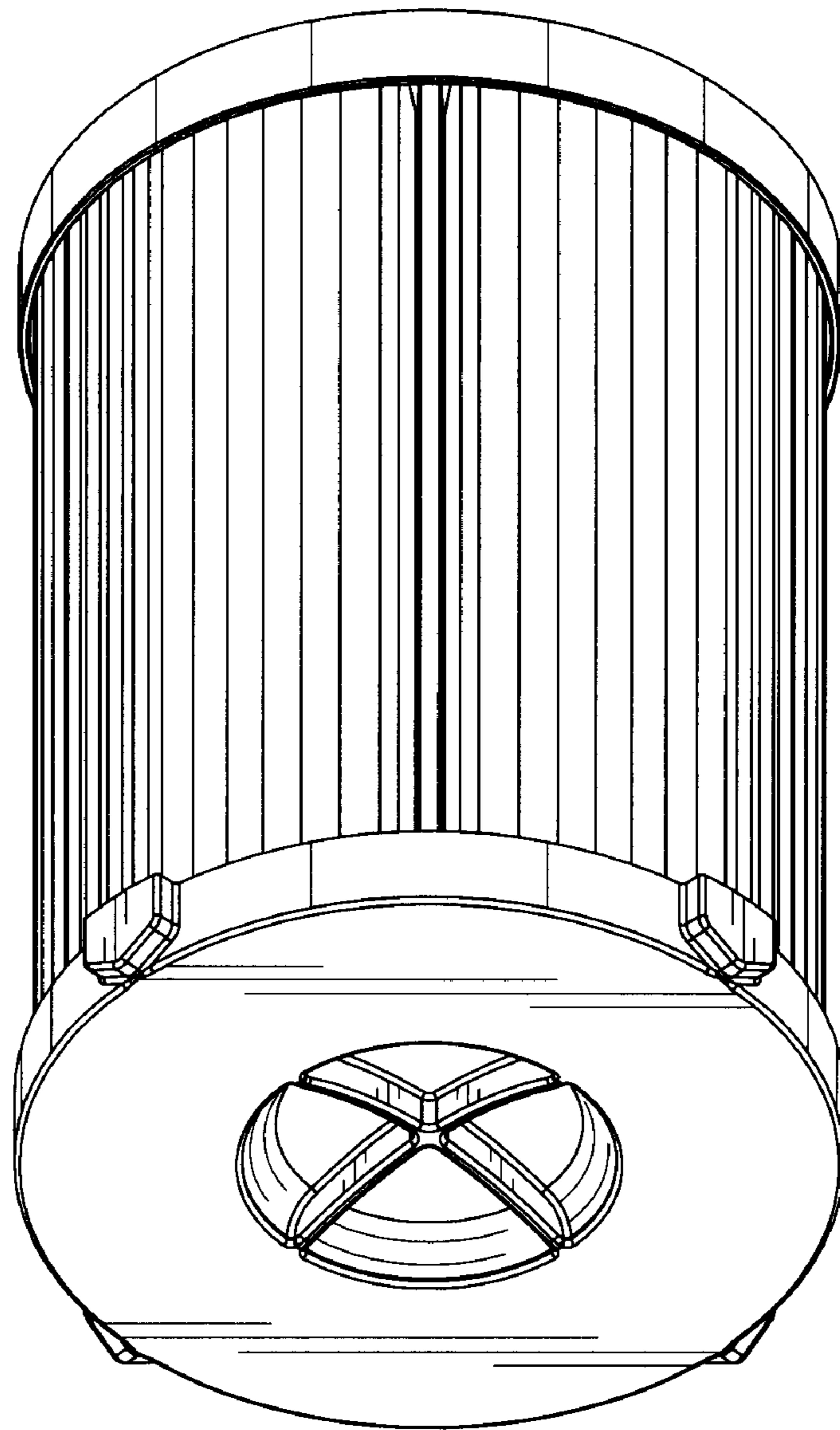


FIG. 2

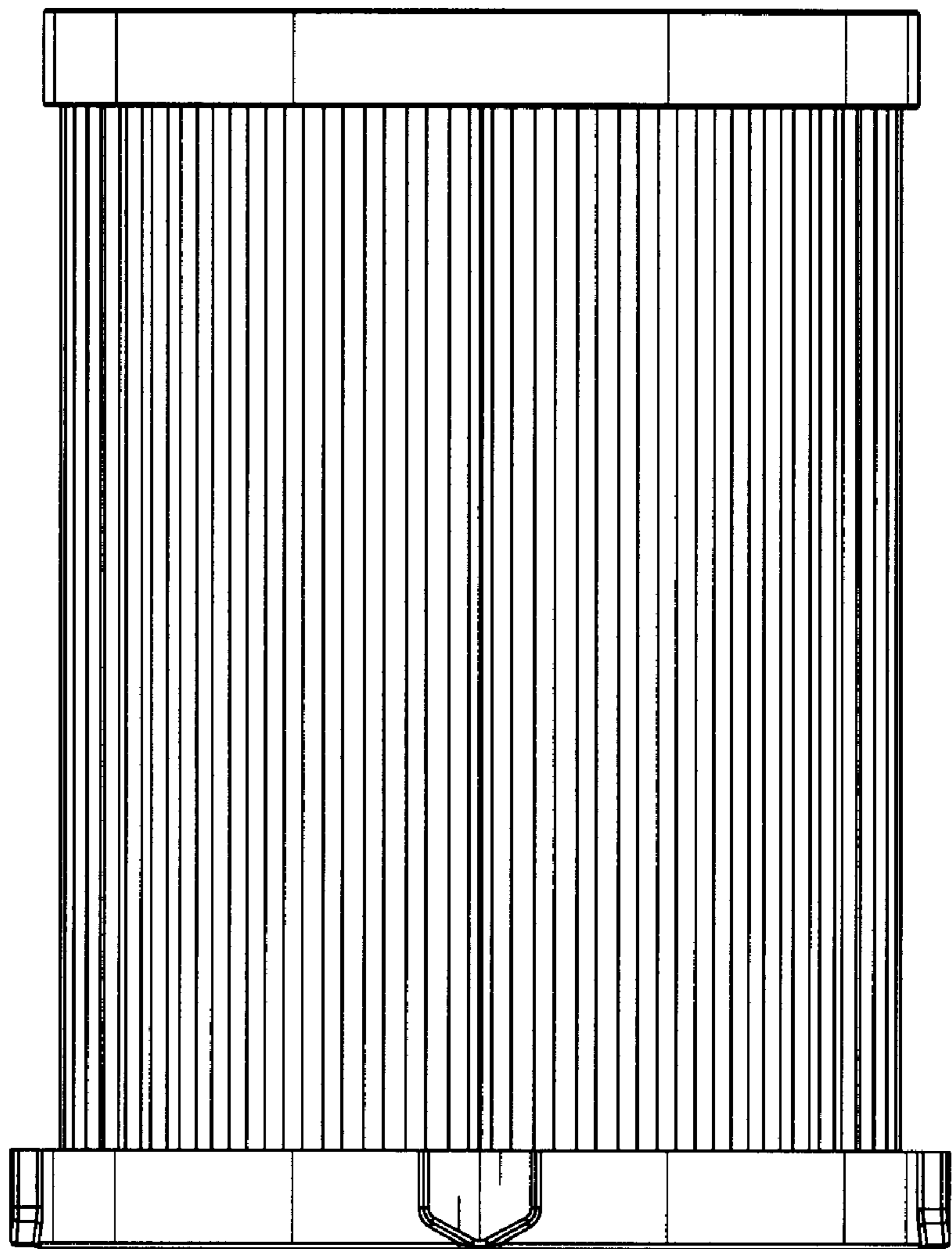


FIG. 3

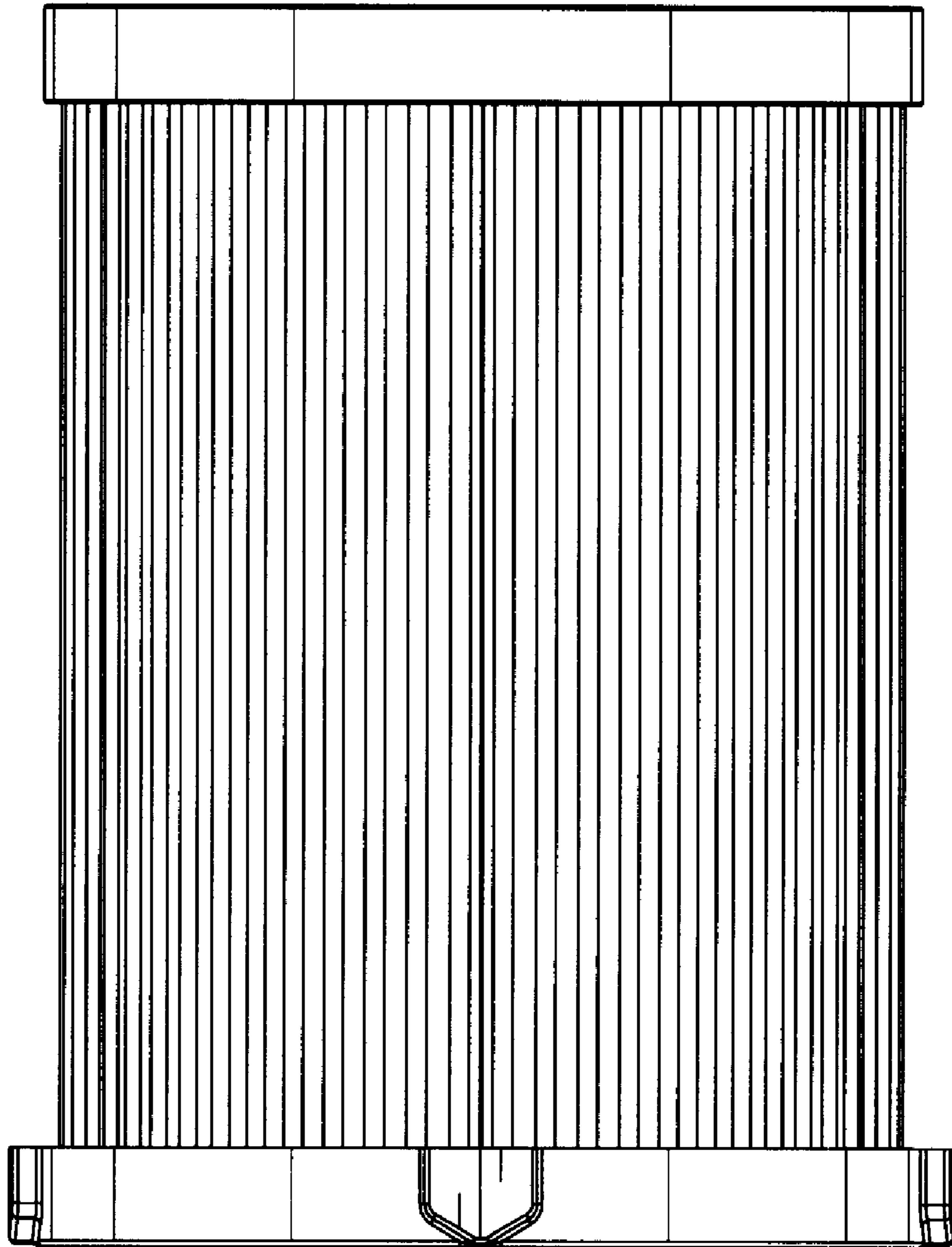


FIG. 4

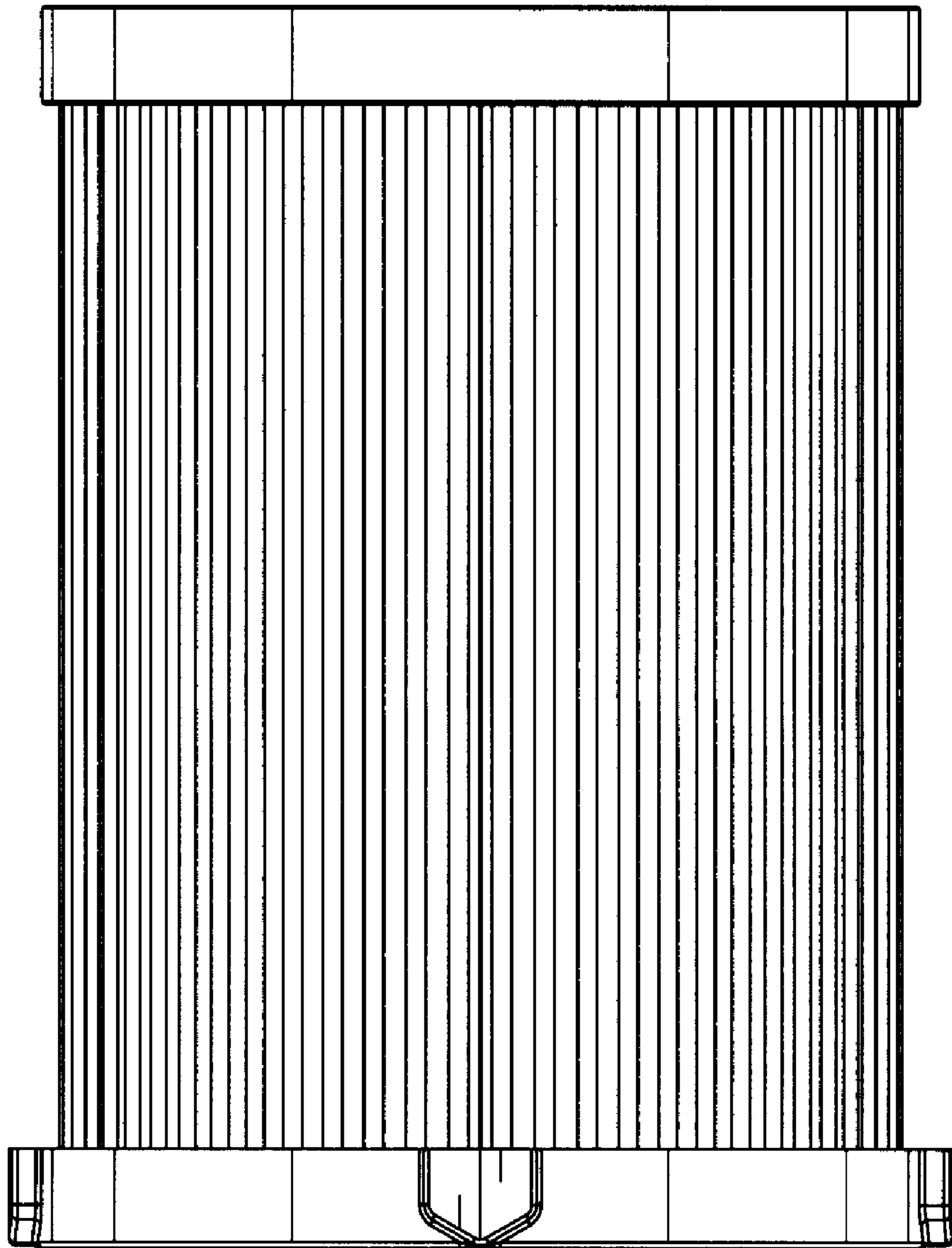


FIG. 5

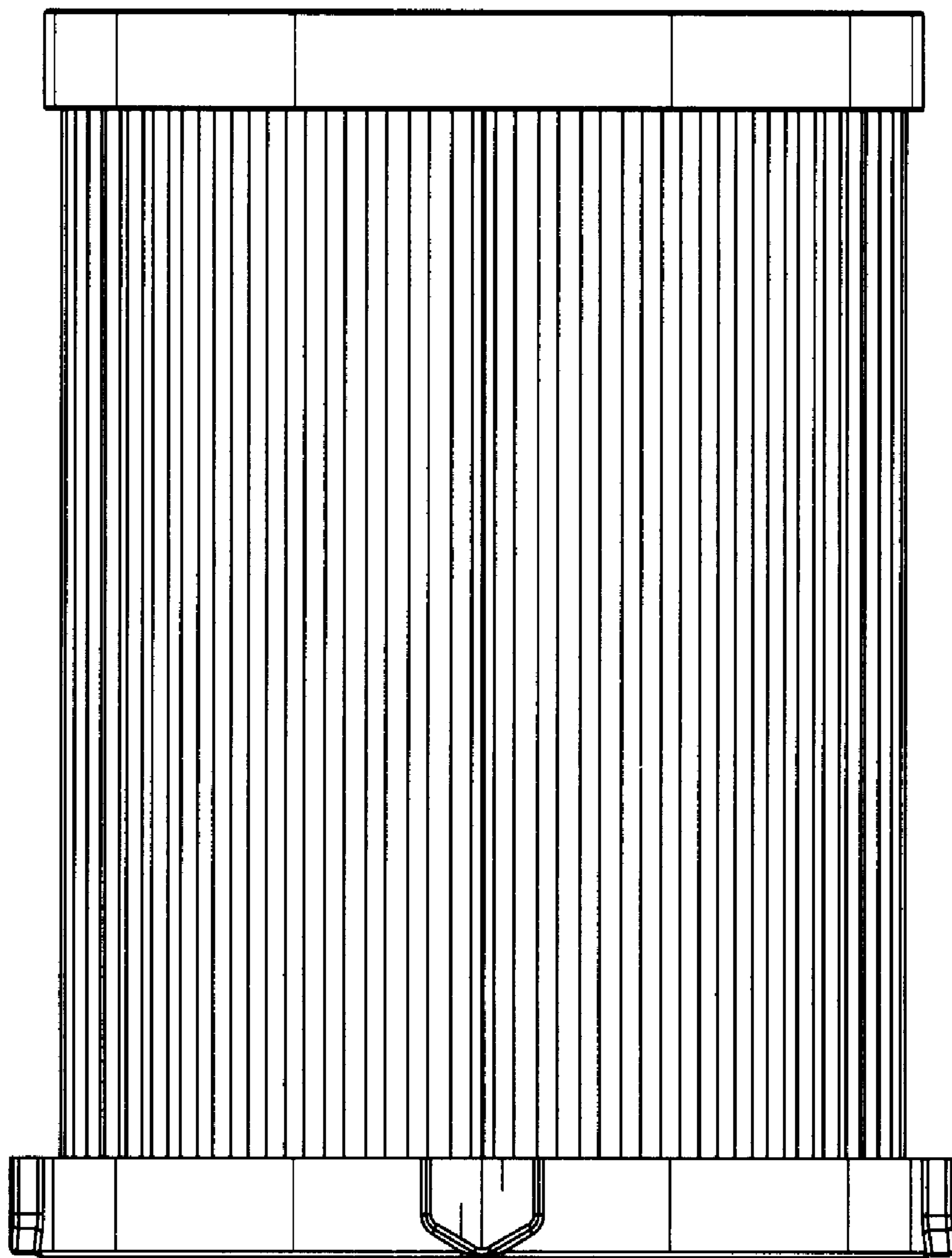


FIG. 6

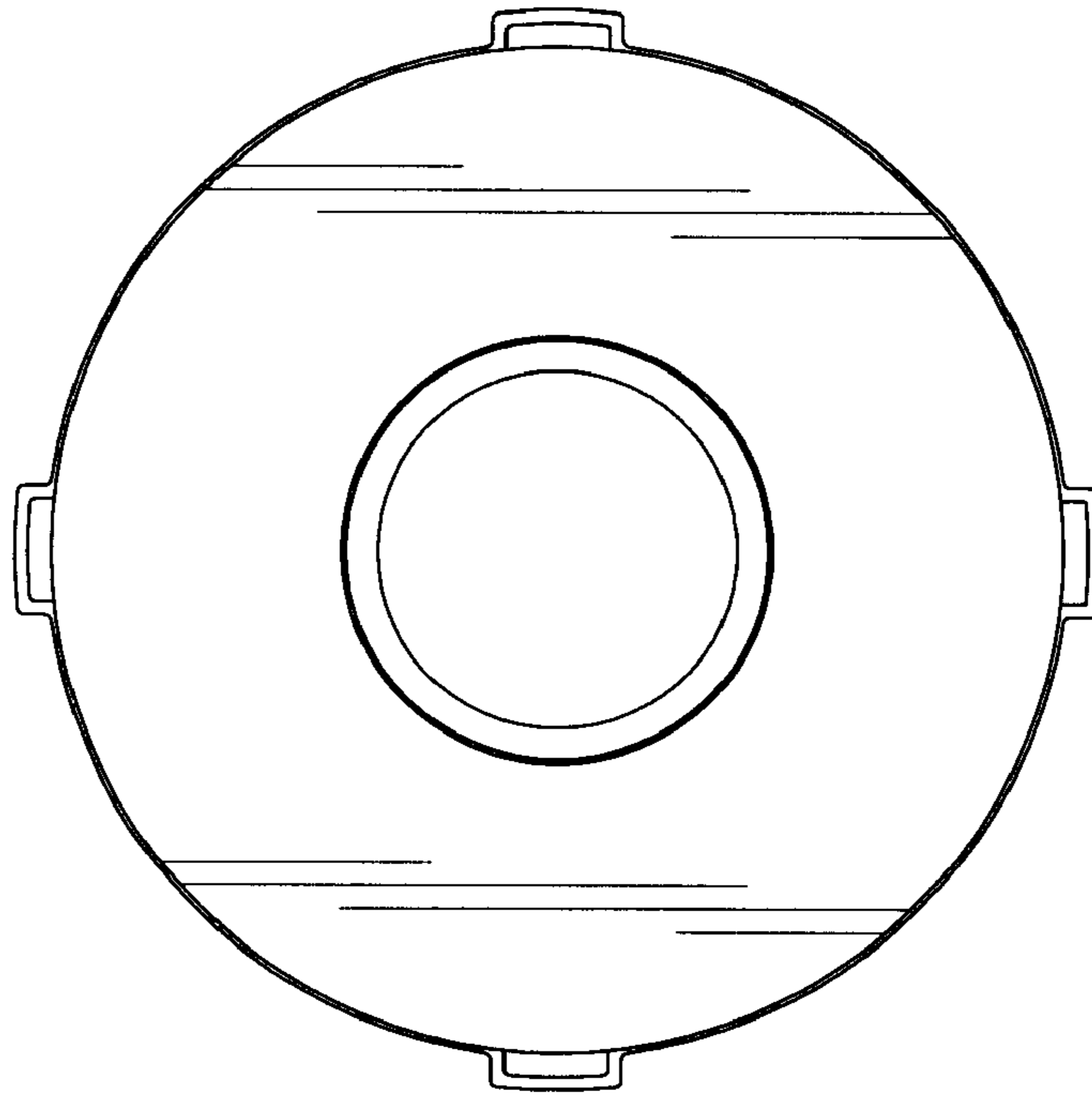


FIG. 7

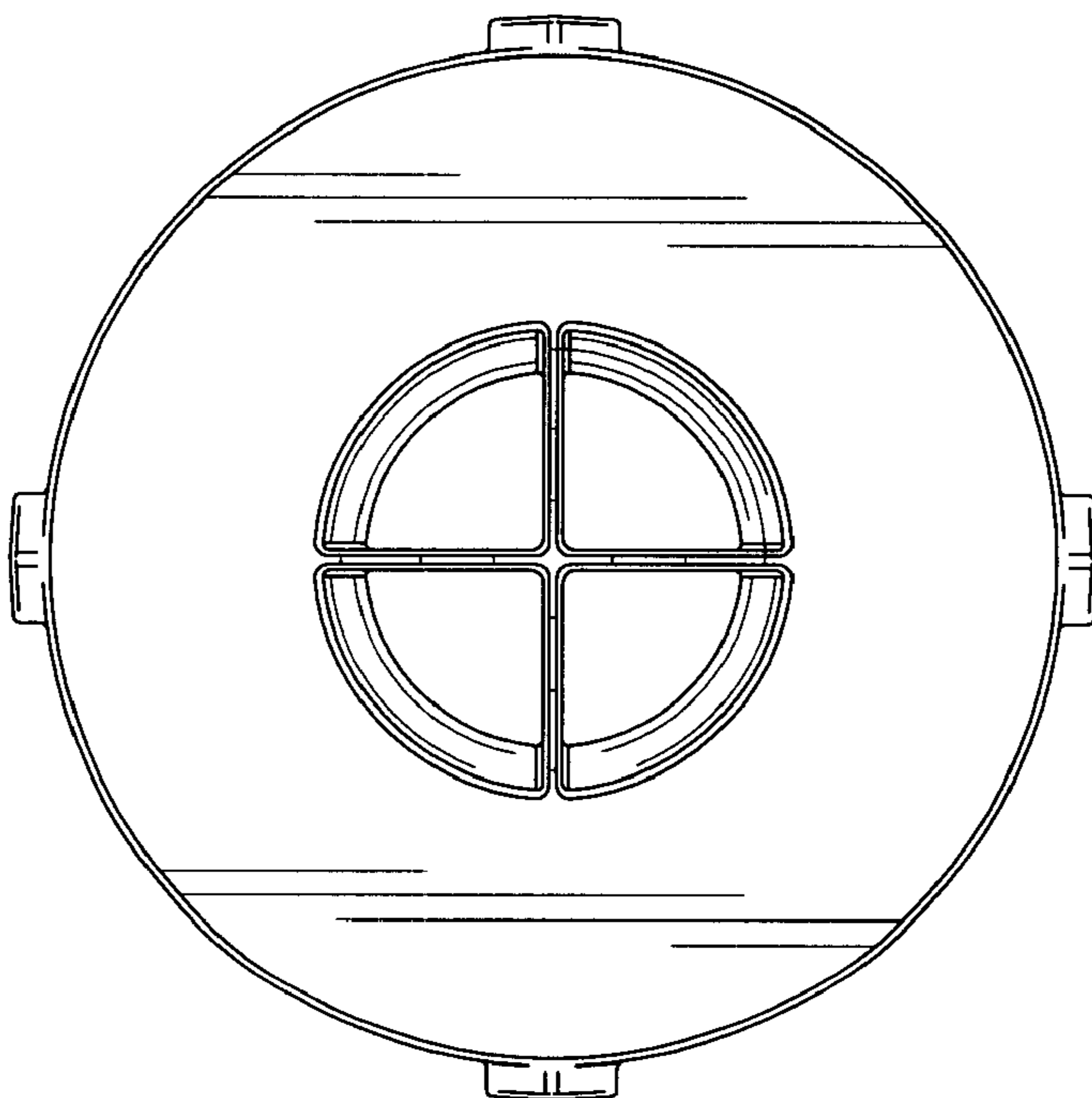


FIG. 8

