



US00D470214S

(12) **United States Design Patent** (10) **Patent No.:** **US D470,214 S**
Wickizer et al. (45) **Date of Patent:** **** Feb. 11, 2003**

(54) **ADJUSTABLE SLEEVE WITH LEVERAGE FEATURE FOR A FISHING ROD HANDLE**

(76) Inventors: **Kirk C. Wickizer**, 16732 Zachary Dr., Macomb, MI (US) 48042; **Jeffrey P. Wickizer**, 910 Northern Way, Casselberry, FL (US) 32707

(**) Term: **14 Years**

(21) Appl. No.: **29/159,854**

(22) Filed: **Apr. 29, 2002**

(51) **LOC (7) Cl.** **22-05**

(52) **U.S. Cl.** **D22/139**

(58) **Field of Search** D22/142, 139, D22/134, 199, 137, 138, 140, 141; 43/21.2, 25, 23, 22, 19, 19.2; 221/922, 219, 222, 267; D3/221

(56) **References Cited**

U.S. PATENT DOCUMENTS

- 2,869,276 A * 1/1959 Hagen 43/25
- 5,159,775 A * 11/1992 Sutula, Jr. 43/21.2
- D353,262 S * 12/1994 Cantavespre et al. D3/221
- D422,672 S * 4/2000 Rich D22/139

* cited by examiner

Primary Examiner—Catherine R. Oliver
(74) *Attorney, Agent, or Firm*—John R. Benefiel

(57) **CLAIM**

The ornamental design for adjustable sleeve with leverage feature for a fishing rod handle, as shown and described.

DESCRIPTION

FIG. 1 is a perspective view of a adjustable sleeve with leverage feature for a fishing rod handle according to the present invention.

FIG. 2 is a top view of the adjustable sleeve with leverage feature for a fishing rod handle shown in FIG. 1.

FIG. 3 is a rear view of the adjustable sleeve with leverage feature for a fishing rod handle shown in FIGS. 1 and 2.

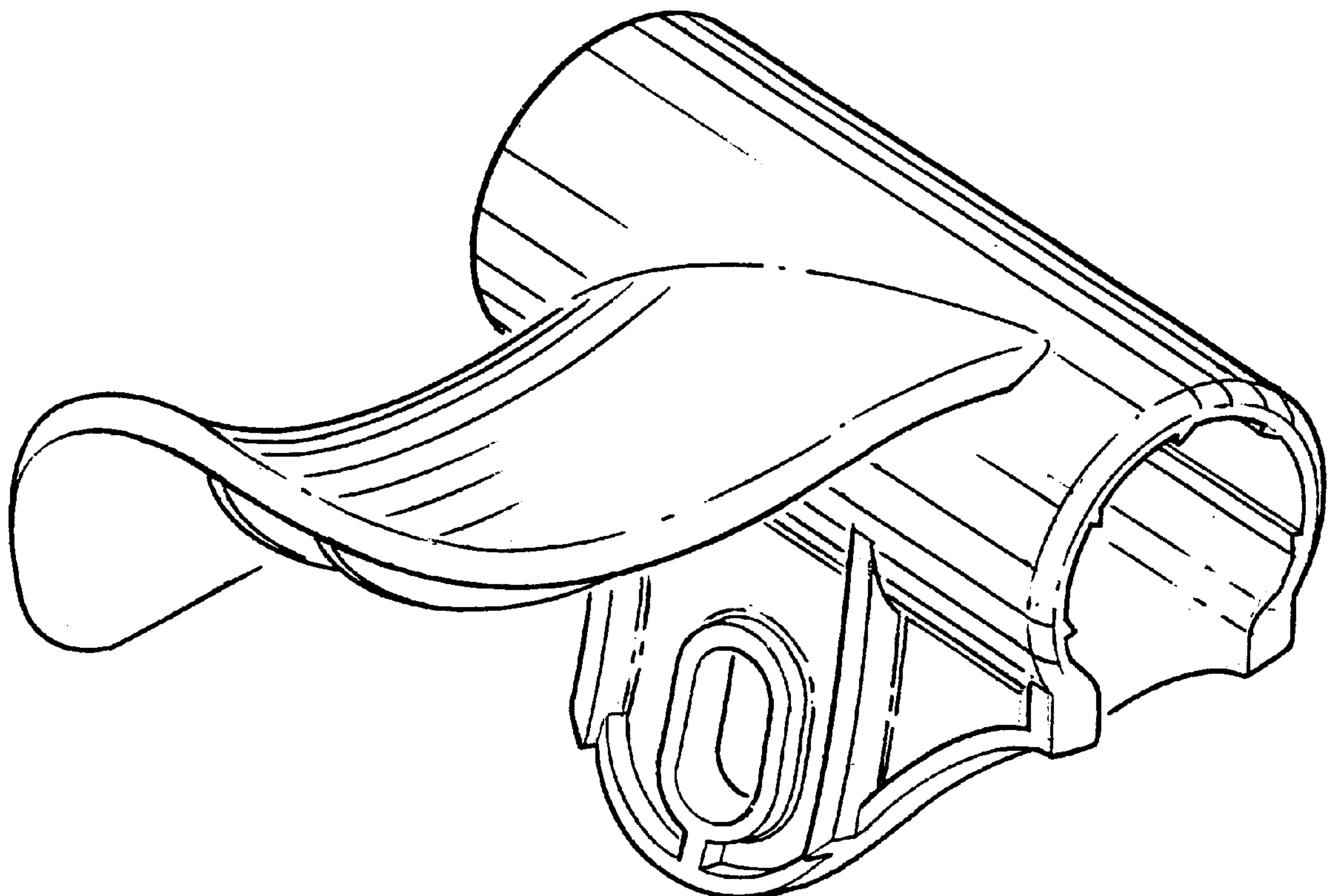
FIG. 4 is a left side view of the adjustable sleeve with leverage feature for a fishing rod handle shown in FIGS. 1-3.

FIG. 5 is a right side view of the adjustable sleeve with leverage feature for a fishing rod handle shown in FIGS. 1-4.

FIG. 6 is a front end view of the adjustable sleeve with leverage feature for a fishing rod handle shown in FIGS. 1-5; and,

FIG. 7 is a bottom view of the adjustable sleeve with leverage feature for a fishing rod handle shown in FIGS. 1-6.

1 Claim, 5 Drawing Sheets



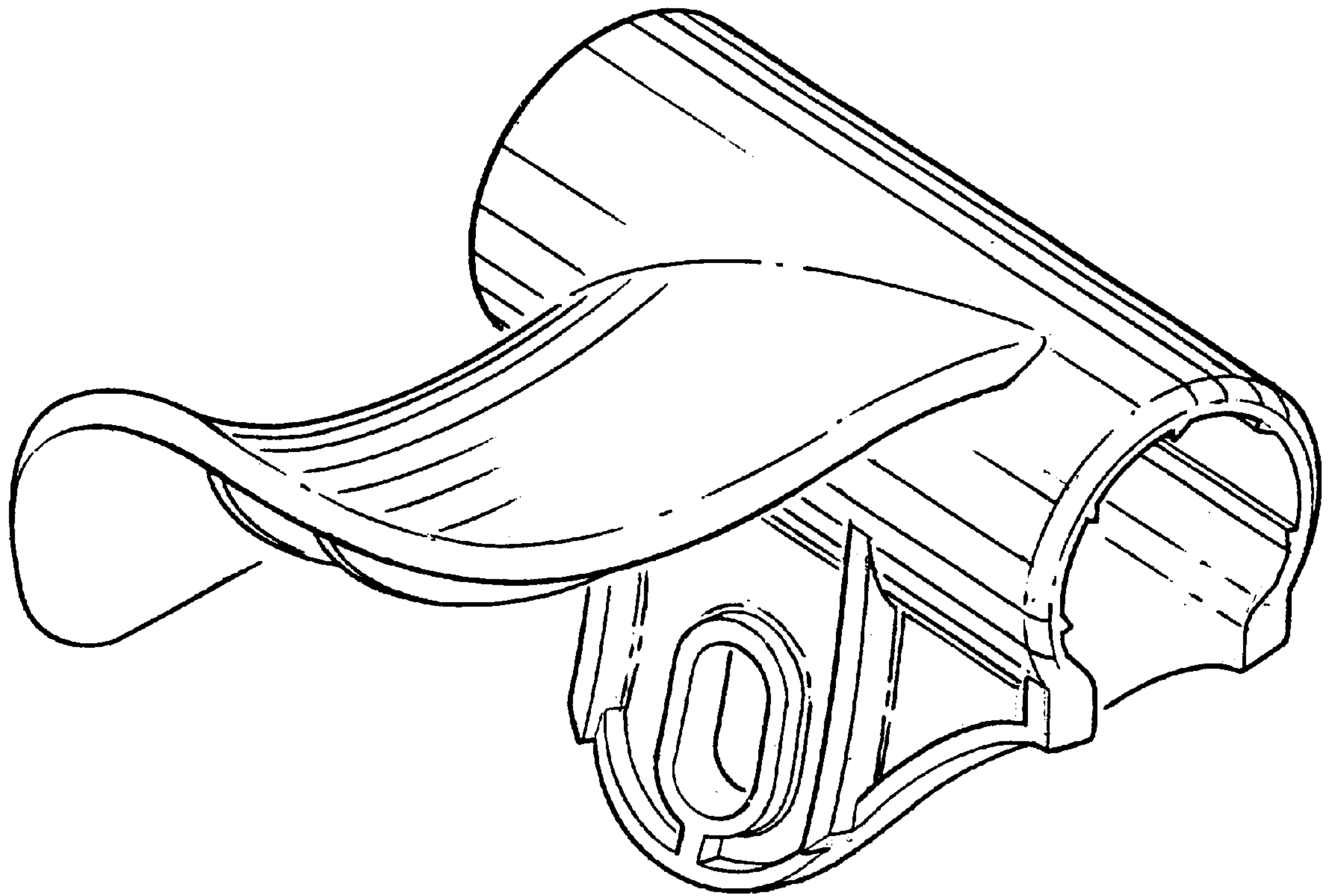


Figure 1

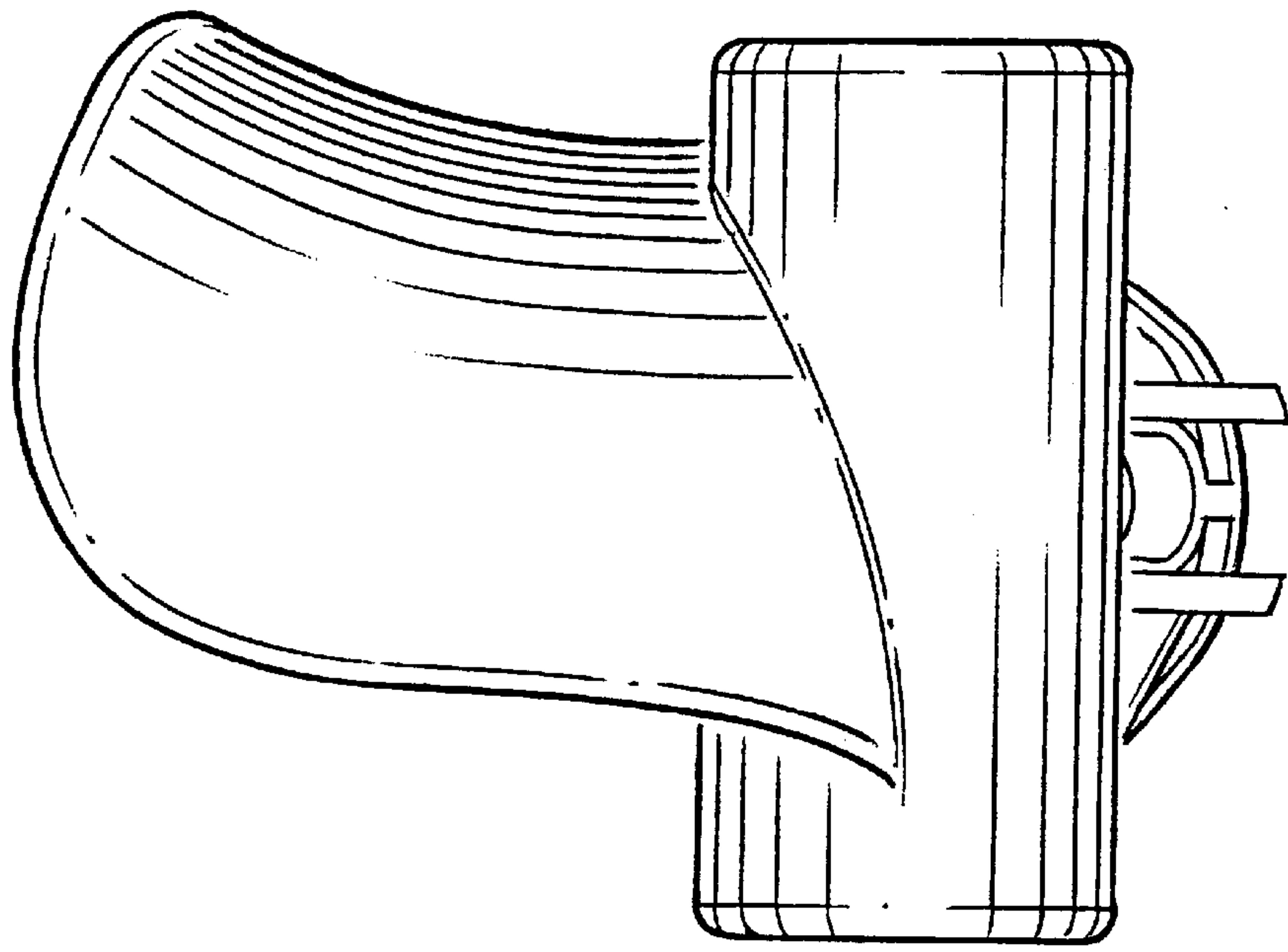


Figure 2

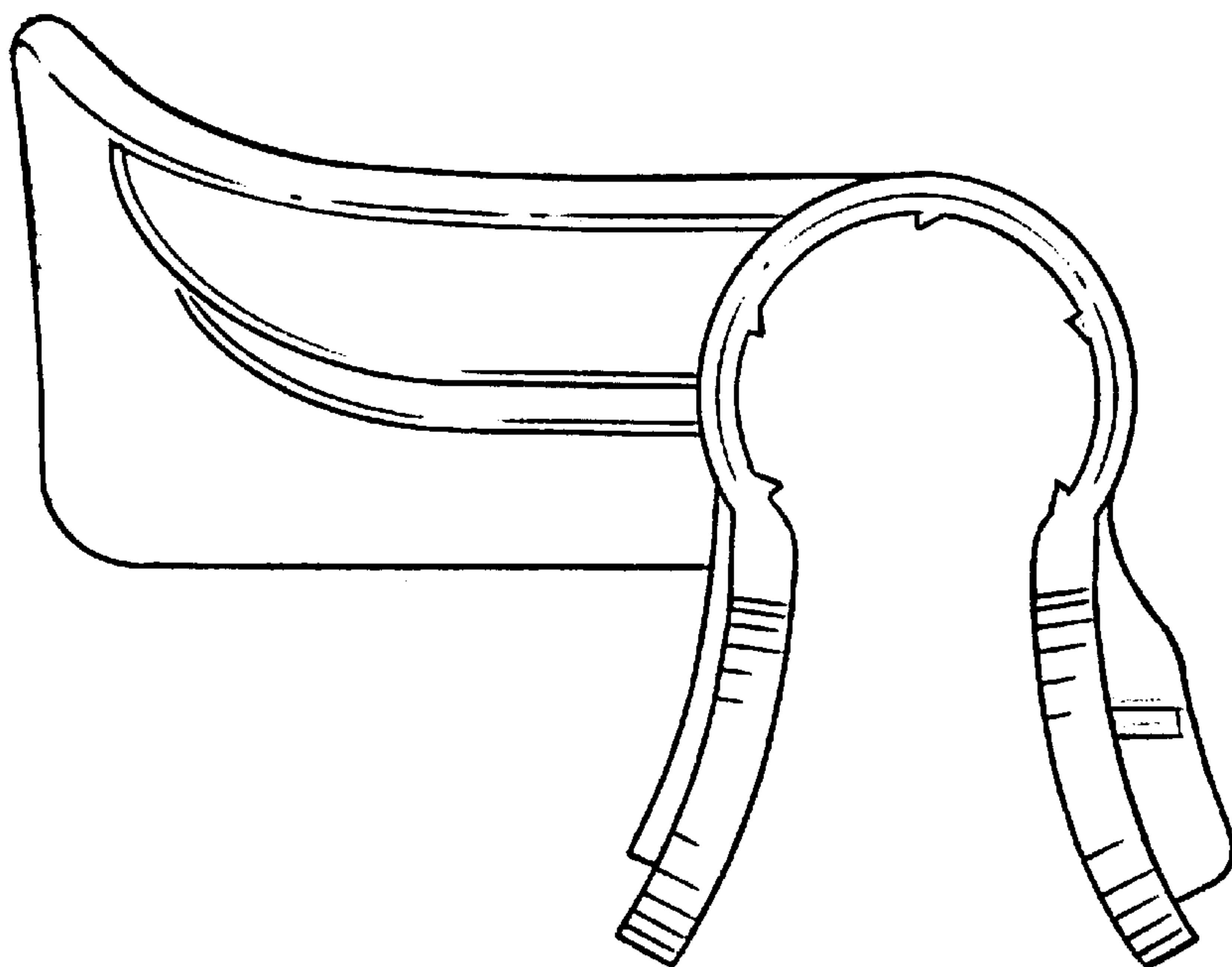


Figure 3

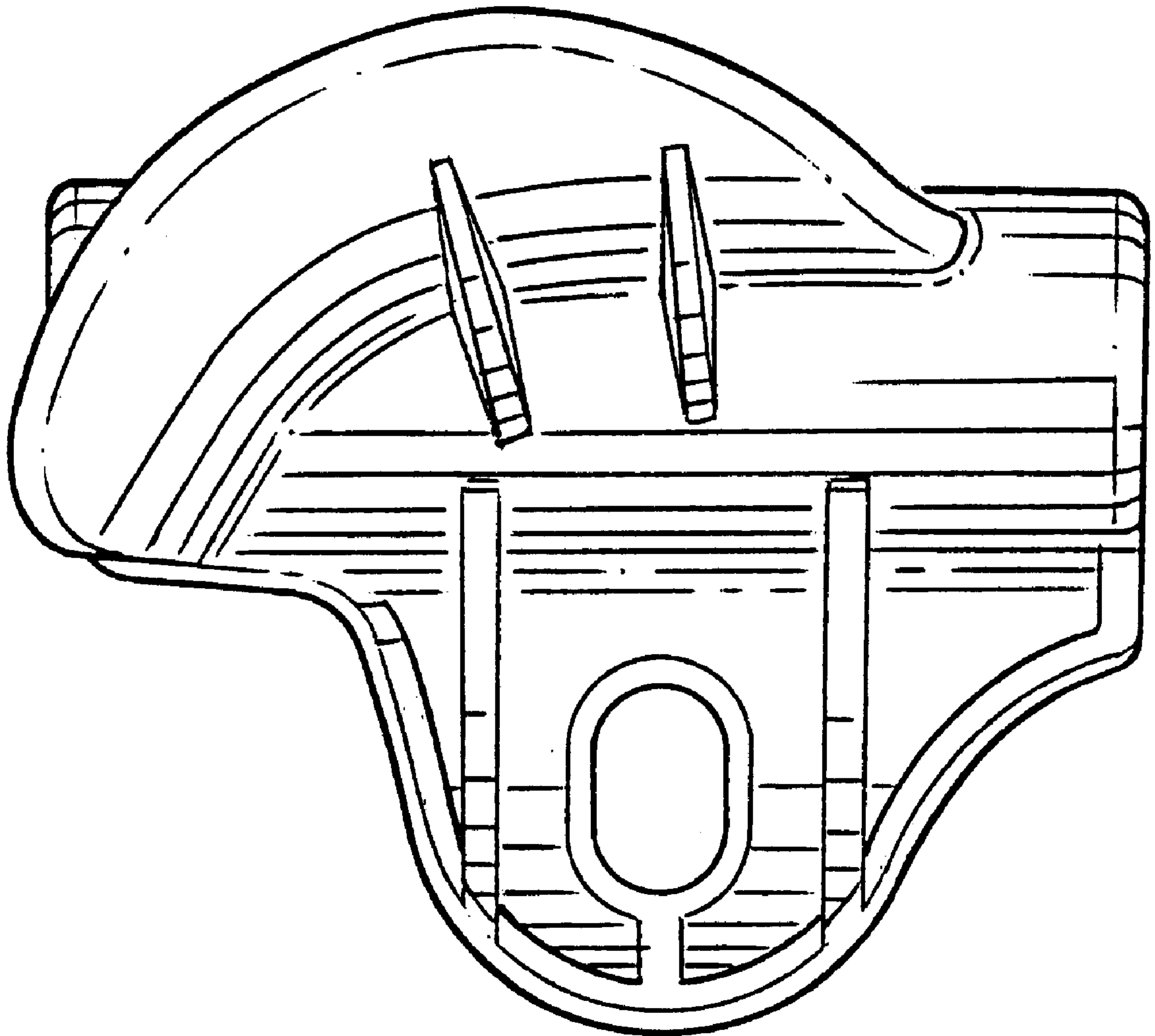


Figure 4

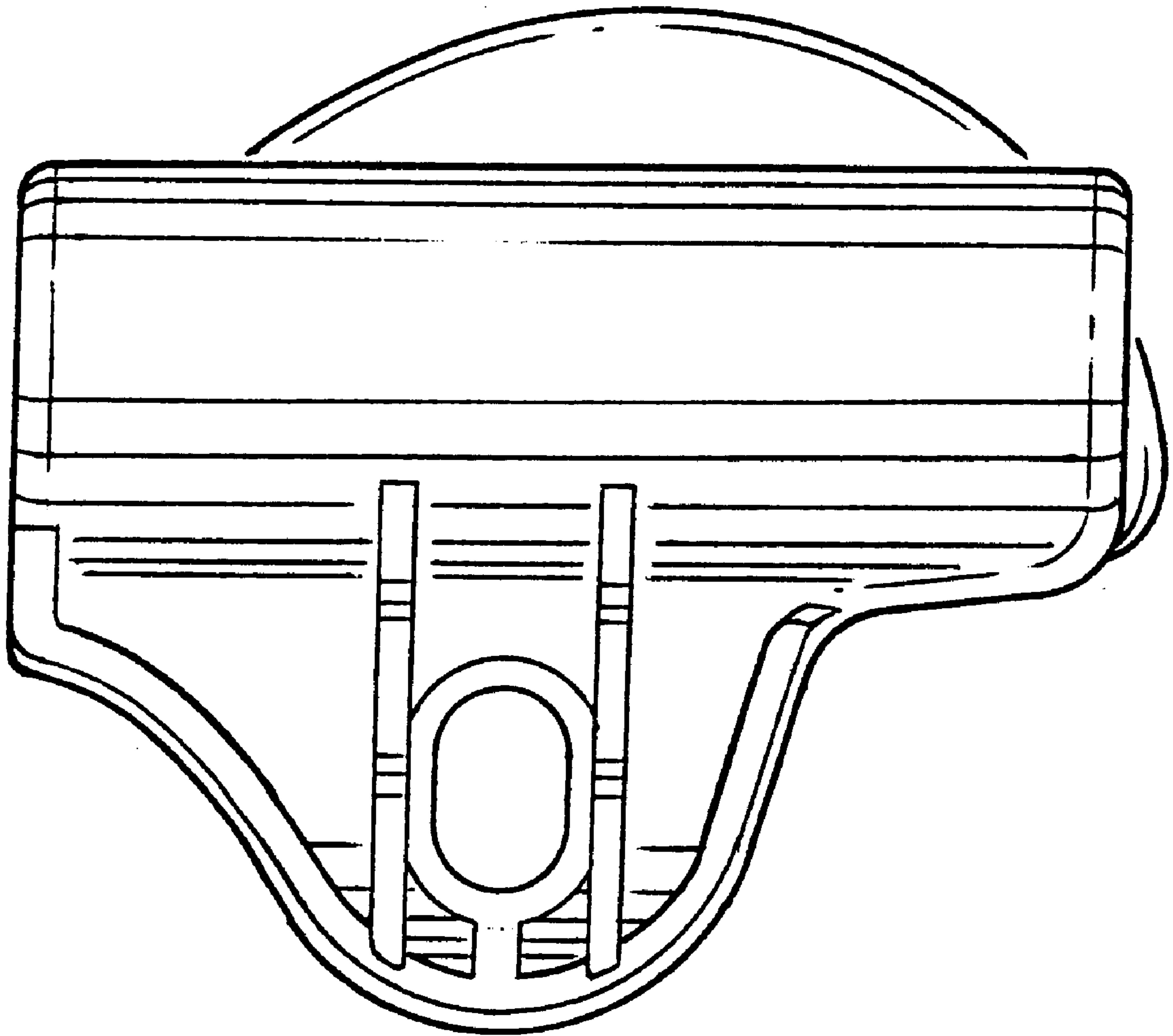


Figure 5

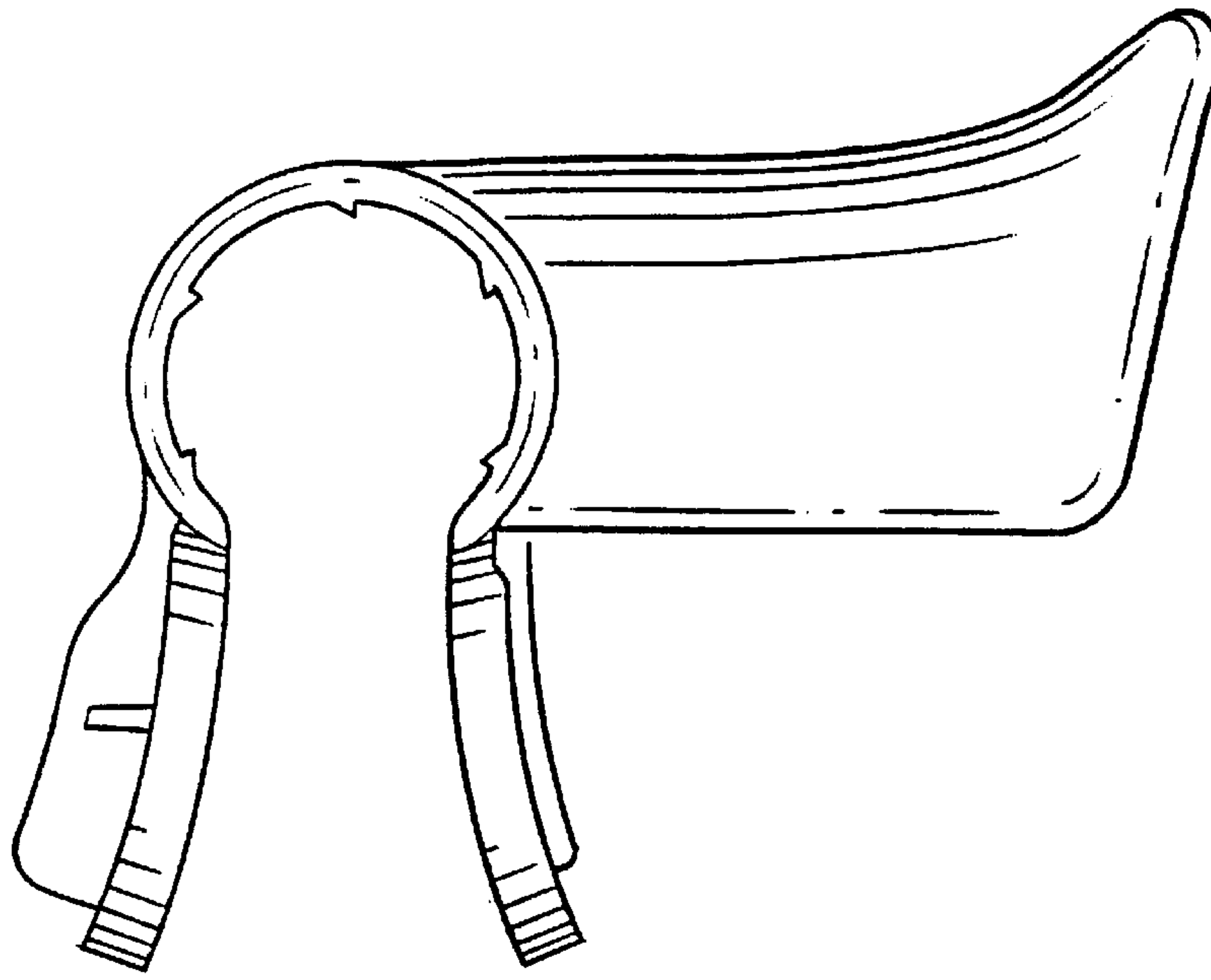


Figure 6

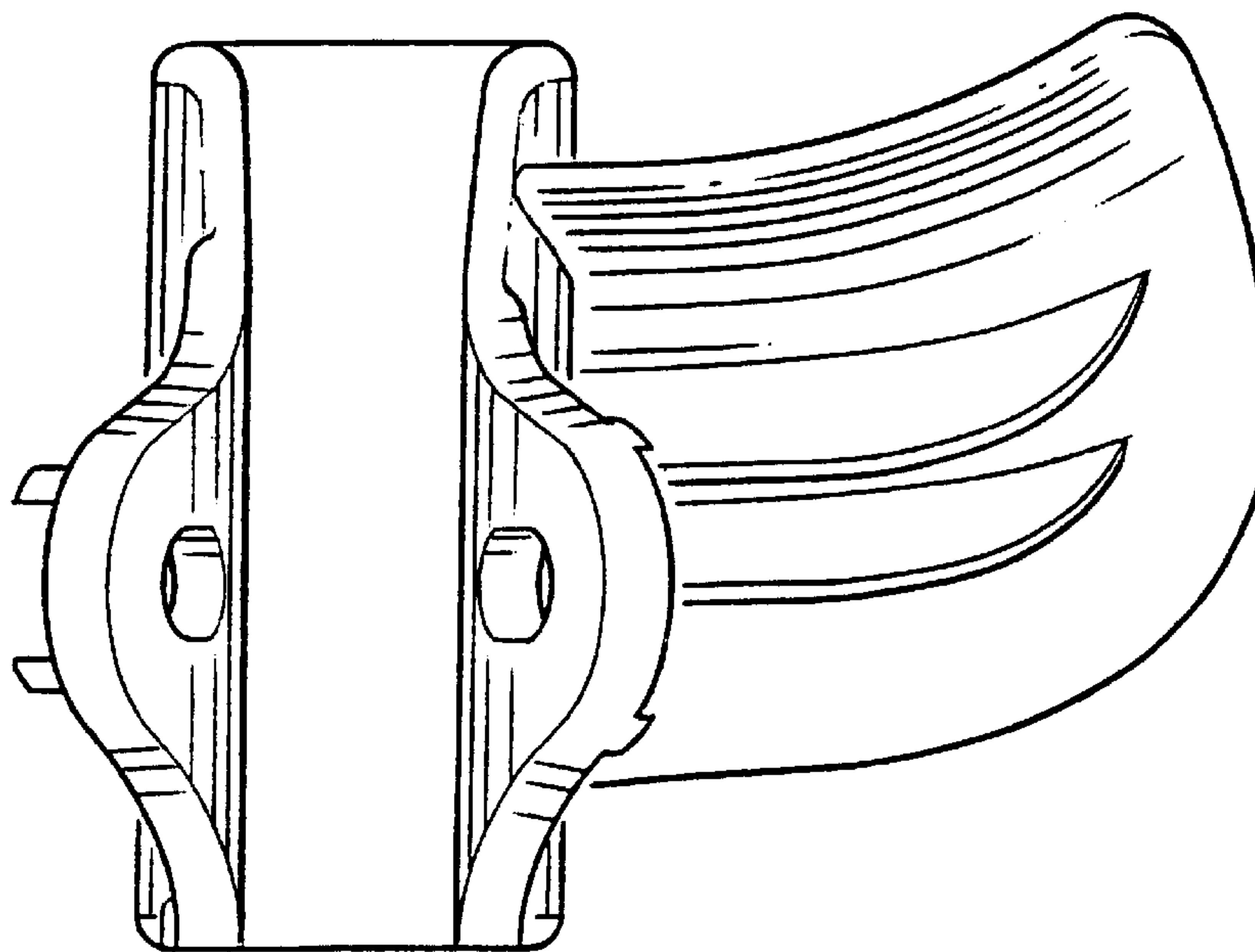


Figure 7