



US00D470213S

(12) **United States Design Patent**  
**Smith et al.**

(10) **Patent No.:** **US D470,213 S**

(45) **Date of Patent:** **\*\* Feb. 11, 2003**

(54) **INTEGRAL FLOATING FISHING ROD  
HANDLE AND REEL COMBINATION**

6,151,826 A \* 11/2000 Grice ..... 43/22

\* cited by examiner

(75) Inventors: **M. Scott Smith**, Broken Arrow, OK  
(US); **Henry L. Neufeld**, Tulsa, OK  
(US)

*Primary Examiner*—Catherine R. Oliver  
(74) *Attorney, Agent, or Firm*—Fellers, Snider,  
Blankenship, Bailey & Tippens, P.C.

(73) Assignee: **W.C. Bradley/Zebco Holdings, Inc.**,  
Tulsa, OK (US)

(57) **CLAIM**

(\*\*) Term: **14 Years**

The ornamental design for an integral floating fishing rod  
handle and reel combination, as shown.

(21) Appl. No.: **29/159,555**

**DESCRIPTION**

(22) Filed: **Apr. 24, 2002**

FIG. 1 is a perspective view of an integral floating fishing rod  
rod handle and reel combination showing our new design;  
FIG. 2 is a right side elevational view, at a slightly enlarged  
scale thereof;

(51) **LOC (7) Cl.** ..... **22-05**

(52) **U.S. Cl.** ..... **D22/138**

FIG. 3 is a top plan view thereof;

(58) **Field of Search** ..... D22/134-144;  
43/22, 23, 25

FIG. 4 is a left side elevational view thereof;

FIG. 5 is a bottom plan view thereof;

FIG. 6 is a front elevational view thereof; and,

FIG. 7 is a rear elevational view, at same scale as FIG. 6,  
thereof.

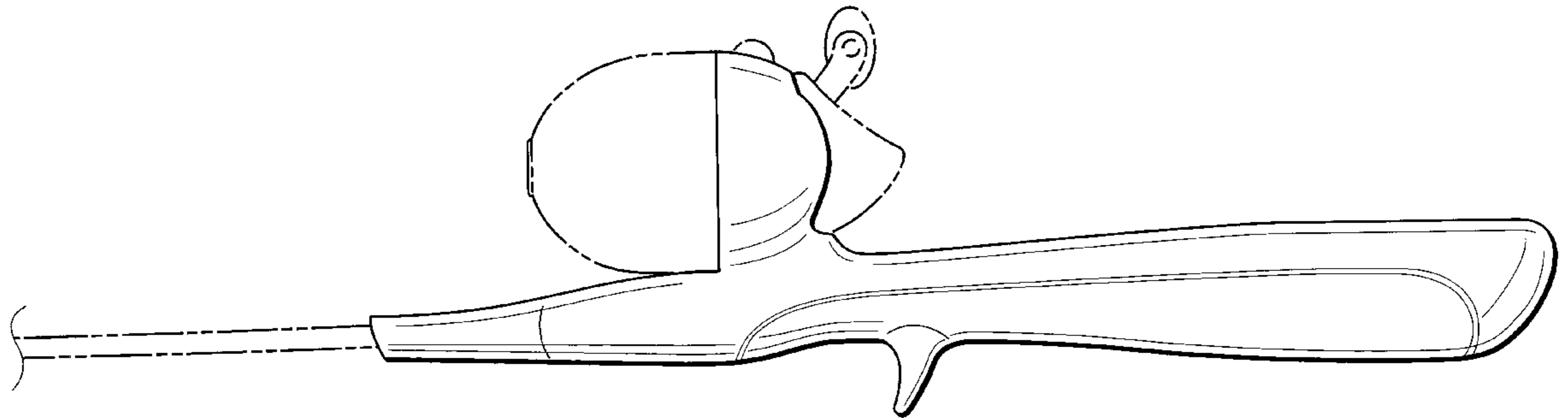
(56) **References Cited**

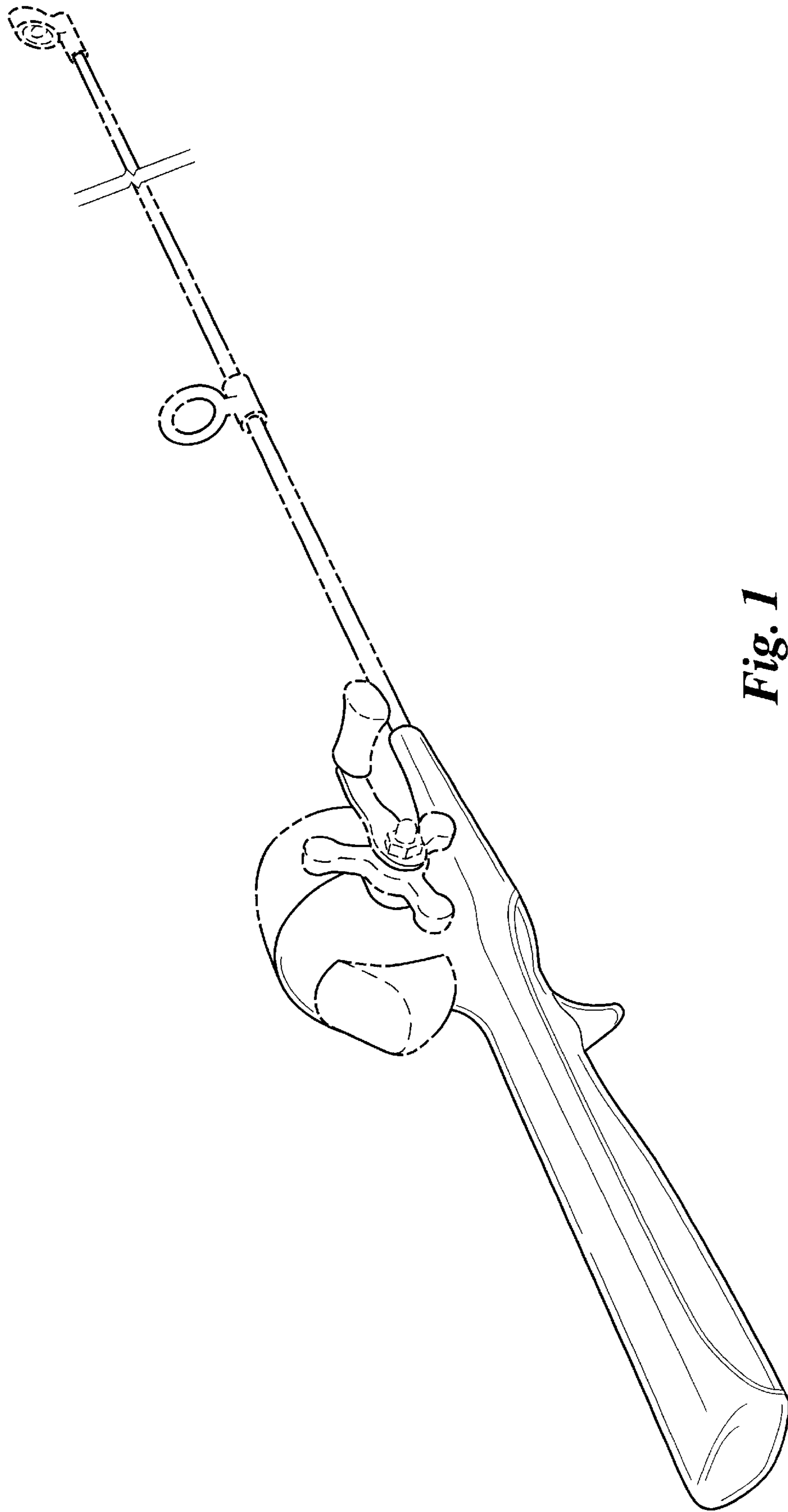
**U.S. PATENT DOCUMENTS**

- 2,594,536 A \* 4/1952 Beyer ..... 43/22
- D189,721 S \* 2/1961 Hull ..... D22/138
- 3,426,466 A \* 2/1969 Shepherd ..... 43/22
- 4,653,217 A \* 3/1987 Ohmura ..... 43/20

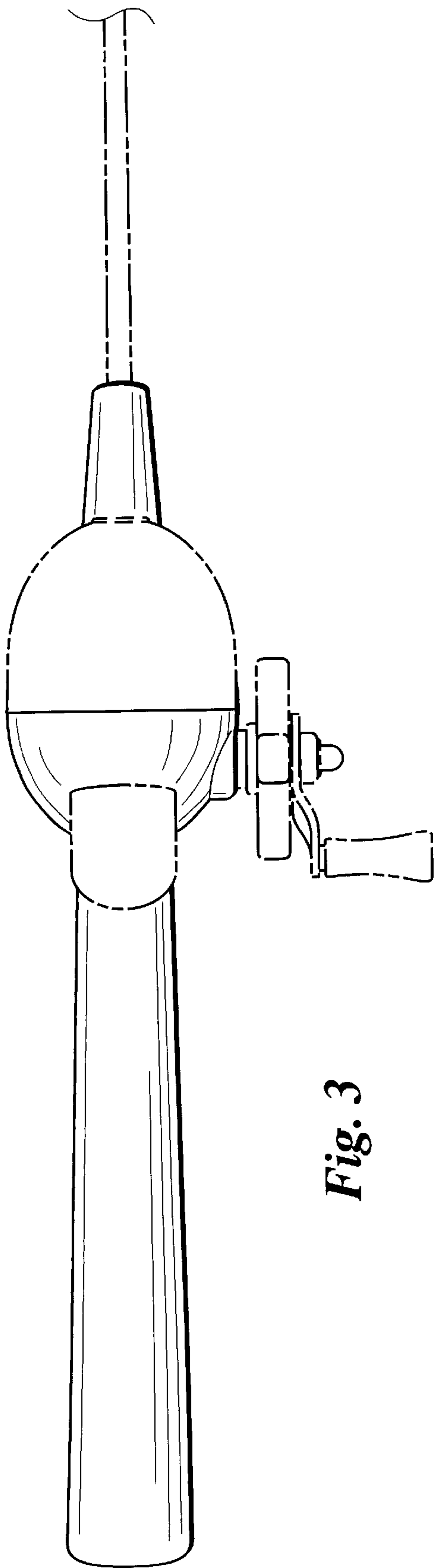
The broken line showing of environment in the drawings is  
for illustrative purposes only and forms no part of the  
claimed design.

**1 Claim, 4 Drawing Sheets**

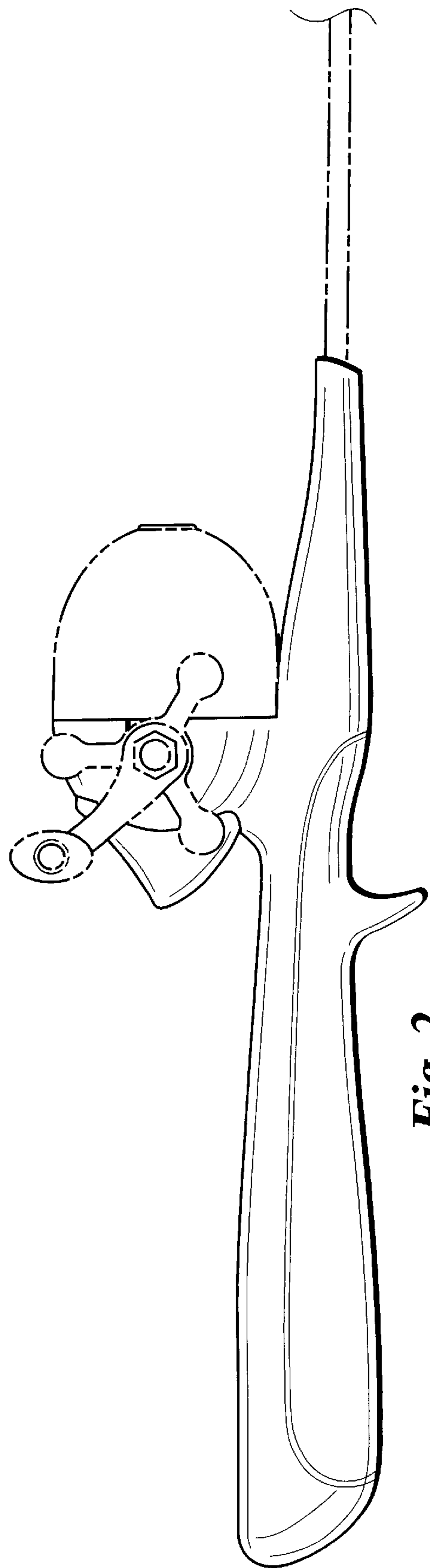




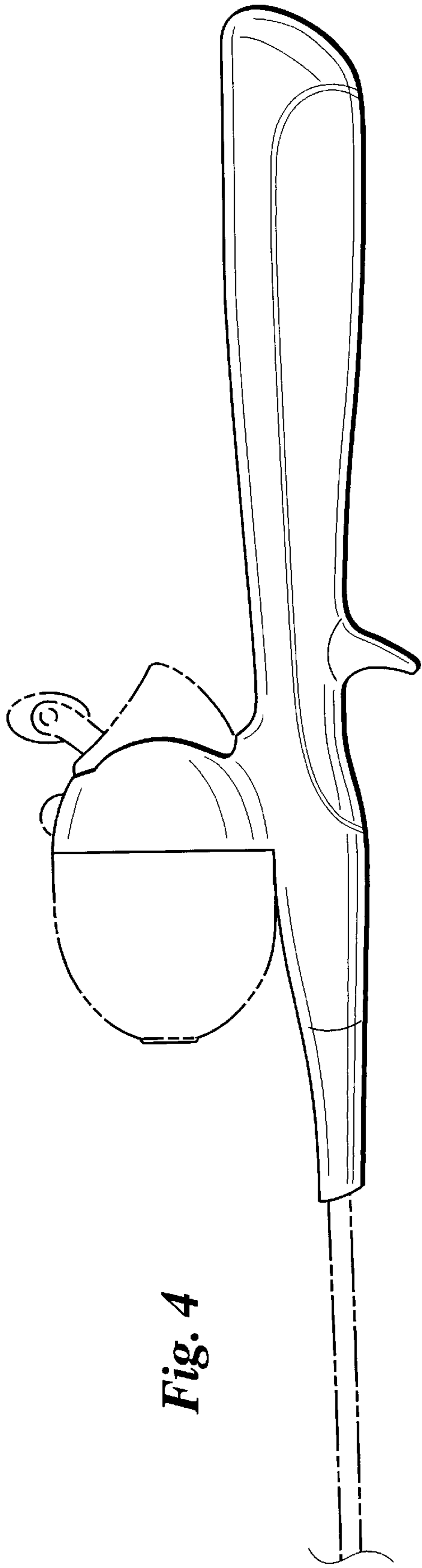
**Fig. 1**



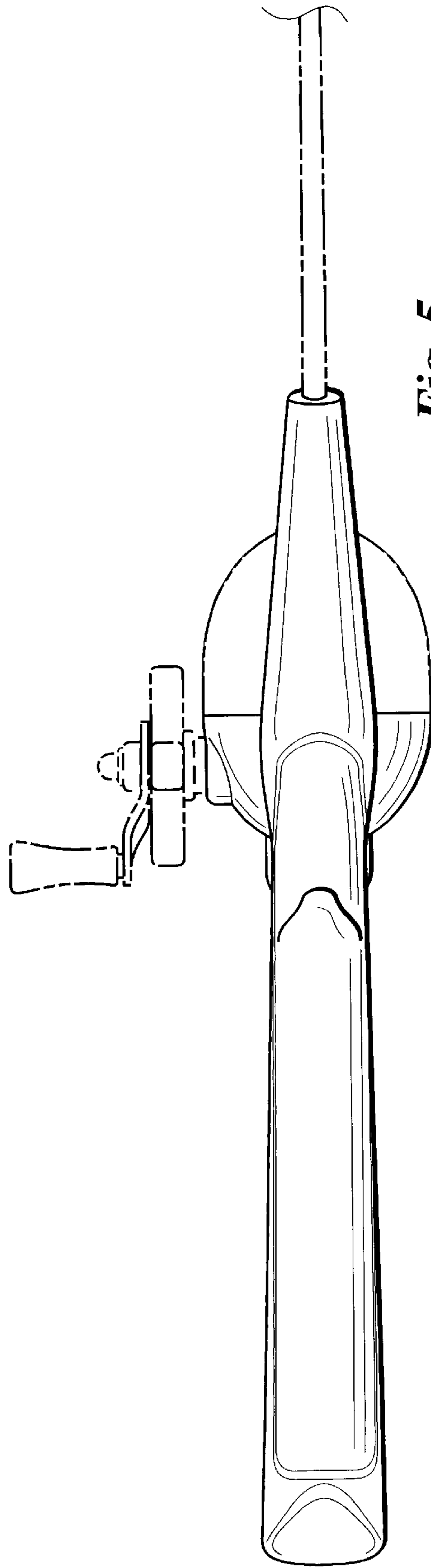
*Fig. 3*



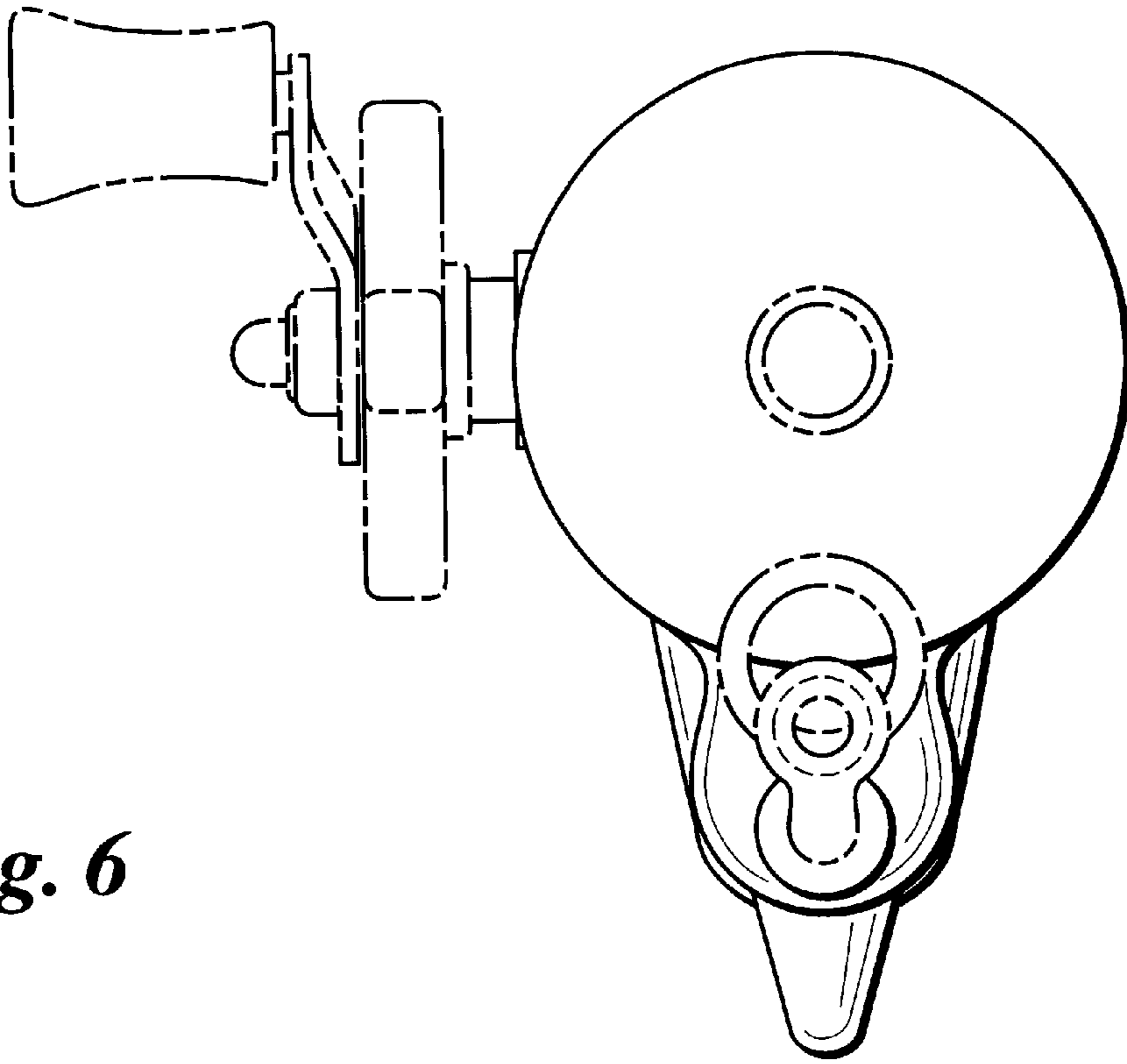
*Fig. 2*



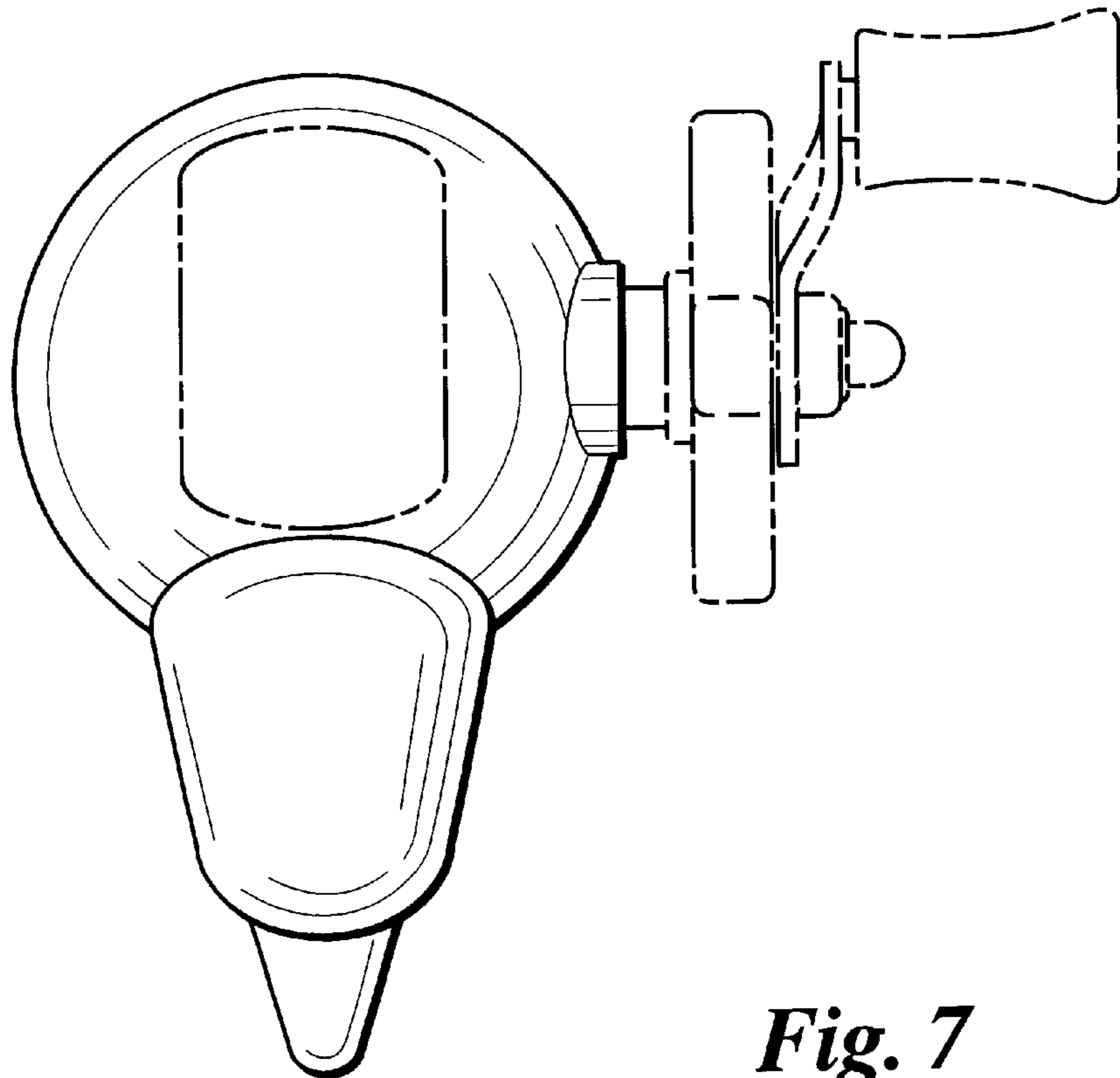
*Fig. 4*



*Fig. 5*



*Fig. 6*



*Fig. 7*