



US00D470212S

(12) **United States Design Patent**
Cardwell, III et al.

(10) **Patent No.:** **US D470,212 S**

(45) **Date of Patent:** **** Feb. 11, 2003**

(54) **SPRAY DISPENSER**

6,052,051 A * 4/2000 Whalen 222/192 X
D451,165 S * 11/2001 Fleischhauer et al. D22/117

(75) Inventors: **Walter Wilcox Cardwell, III**, Austin, TX (US); **Stephen Andrew Stickel**, Austin, TX (US)

* cited by examiner

(73) Assignee: **Vermillion Corporation**, Austin, TX (US)

Primary Examiner—Catherine R. Oliver
(74) *Attorney, Agent, or Firm*—Brian F. Russell; Bracewell & Patterson, L.L.P.

(**) Term: **14 Years**

(57) **CLAIM**

(21) Appl. No.: **29/135,532**

The ornamental design for a spray dispenser, as shown and described.

(22) Filed: **Jan. 12, 2001**

DESCRIPTION

Related U.S. Application Data

(63) Continuation of application No. 09/309,990, filed on May 11, 1999.

FIG. 1 is a perspective view of the spray dispenser of the present invention;

(51) **LOC (7) Cl.** **22-02**

FIG. 2 is a top plan view of the spray dispenser of the present invention;

(52) **U.S. Cl.** **D22/117**

FIG. 3 is a bottom plan view of the spray dispenser of the present invention;

(58) **Field of Search** D22/117, 120;
222/175, 153.11, 153.13, 182, 183, 192,
389; 43/85, 127; D9/504, 448, 300; 340/425.5,
321, 332

FIG. 4 is a side view of the spray dispenser of the present invention;

FIG. 5 is a front elevation view of the spray dispenser of the present invention; and,

FIG. 6 is a rear elevation view of the spray dispenser of the present invention.

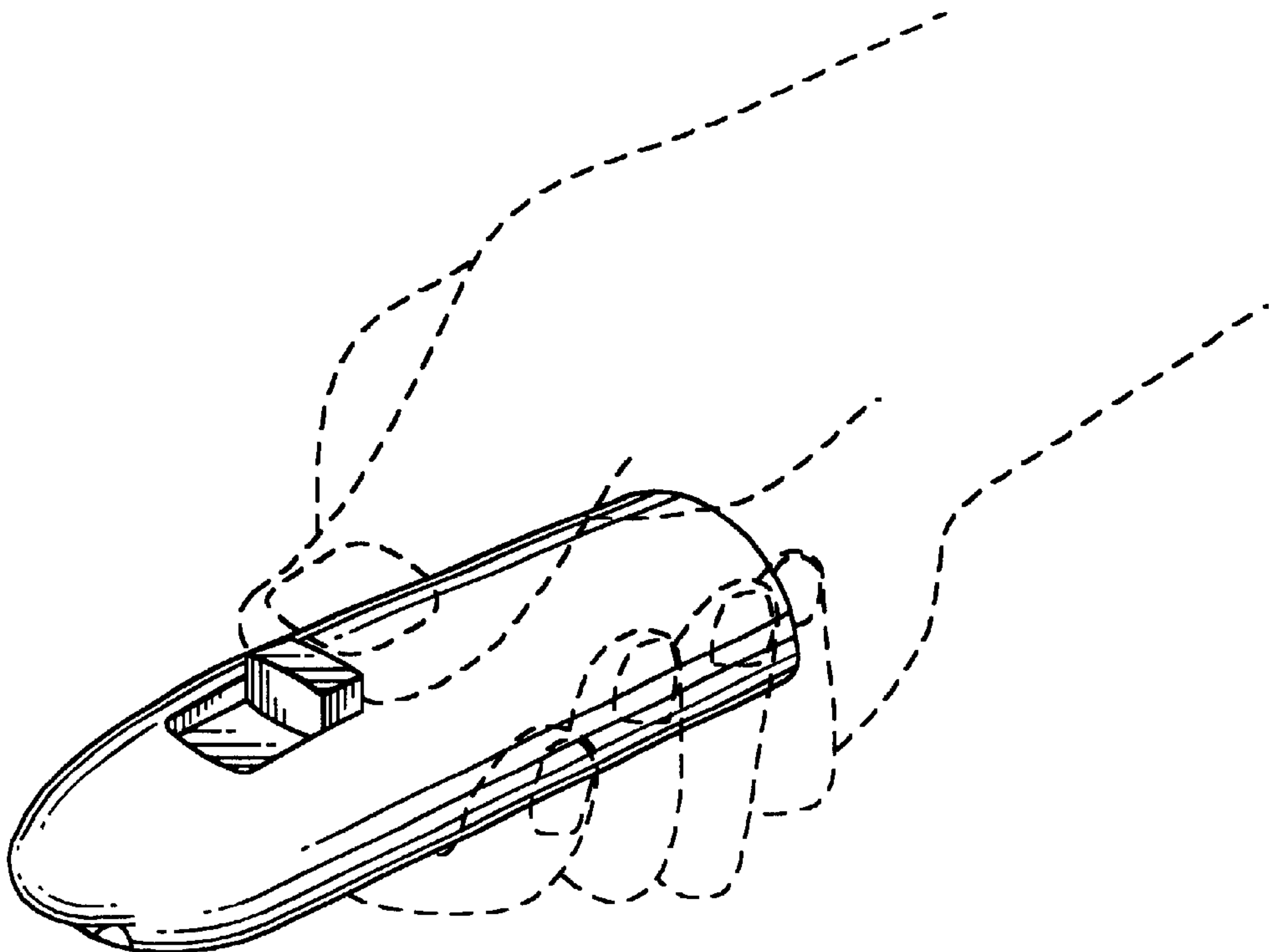
(56) **References Cited**

The broken line showing of environment in the drawings is for illustrative purposes only and forms no part of the claimed design.

U.S. PATENT DOCUMENTS

D360,674 S * 7/1995 McClean D22/117
D364,669 S * 11/1995 Winner D22/117
D375,994 S * 11/1996 Collins et al. D22/117

1 Claim, 2 Drawing Sheets



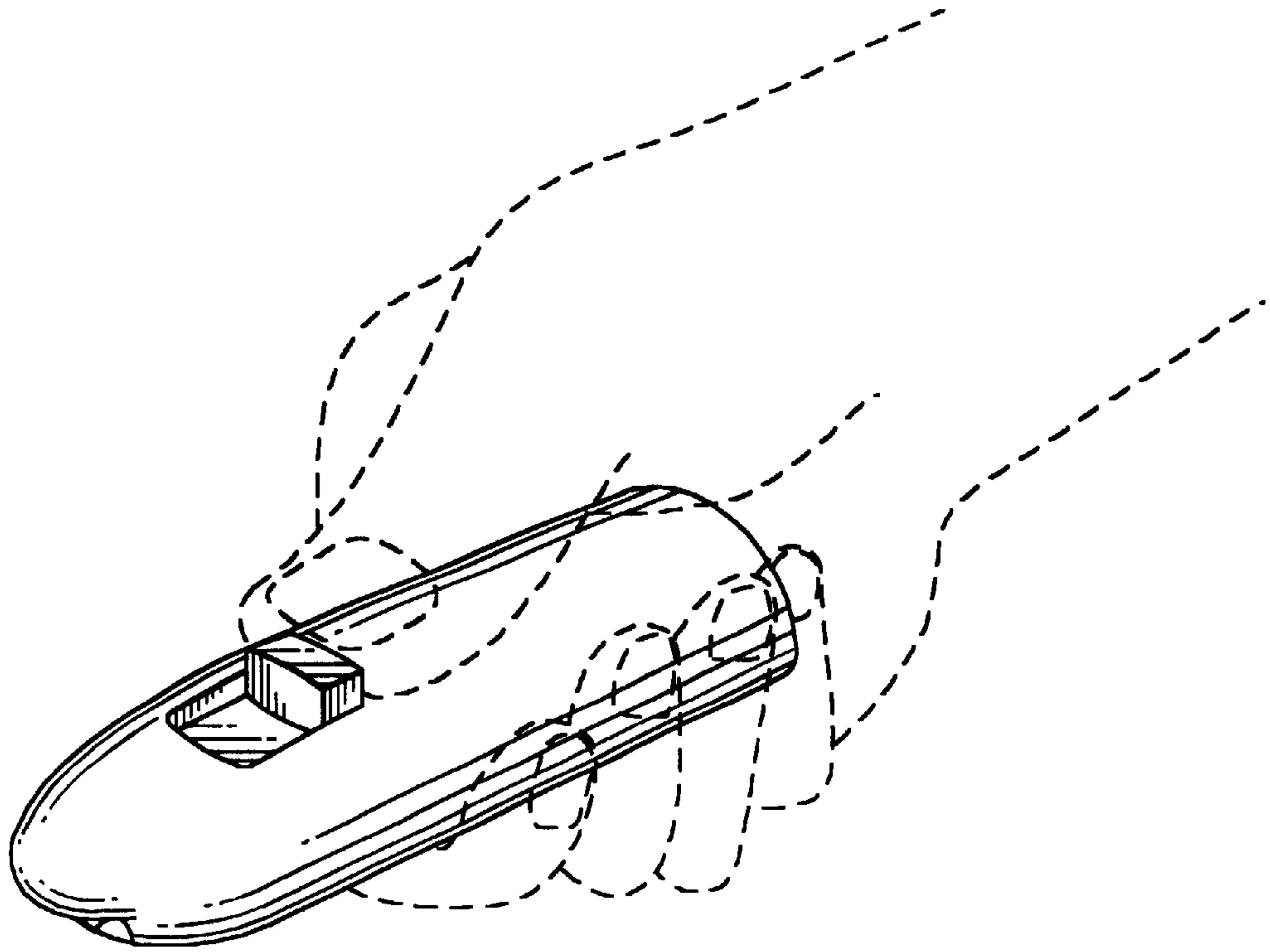


Fig. 1

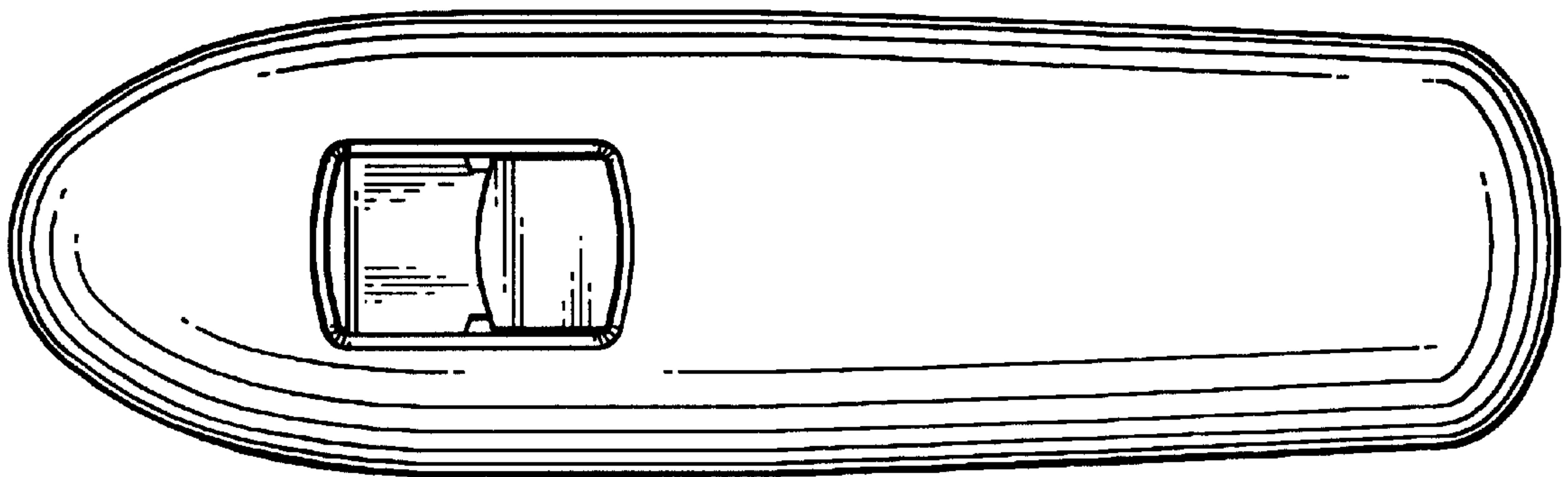


Fig. 2

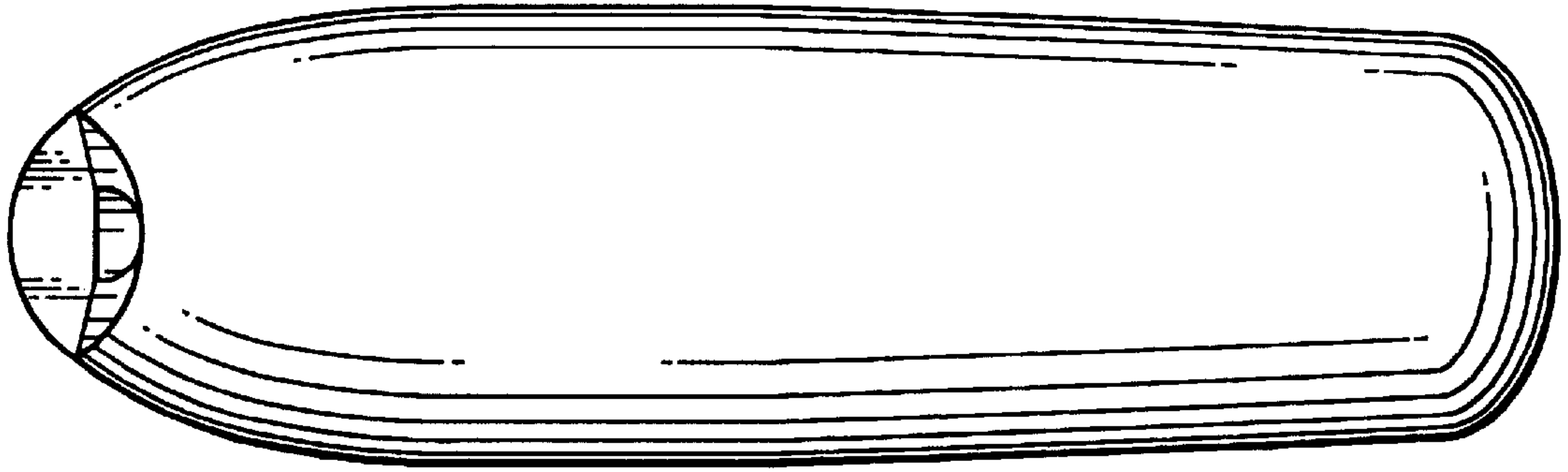


Fig. 3

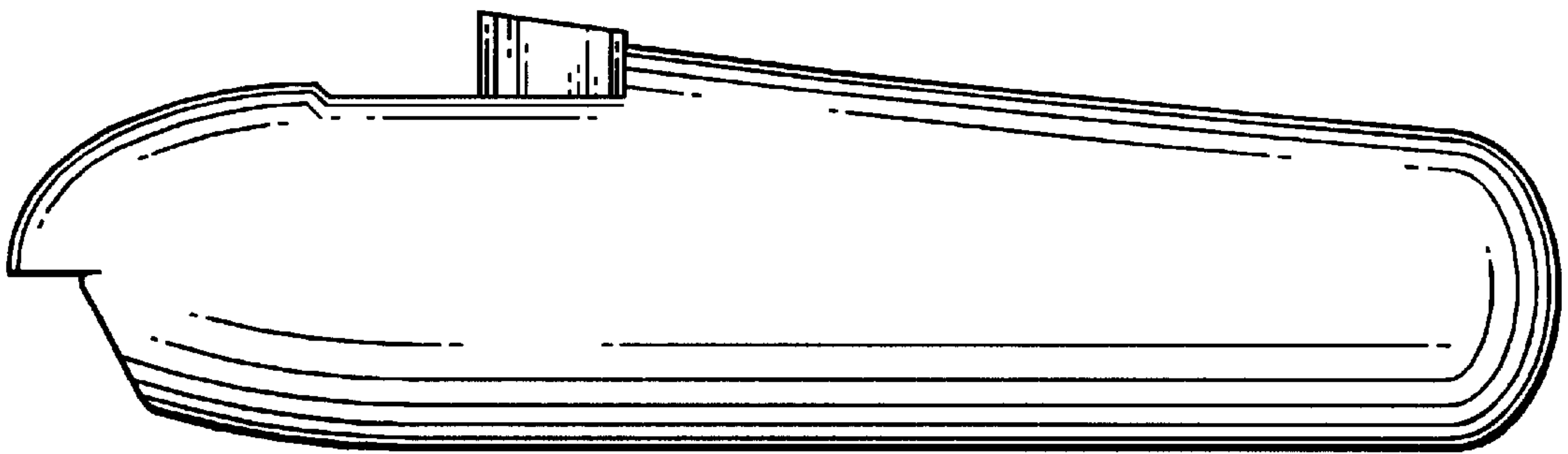


Fig. 4

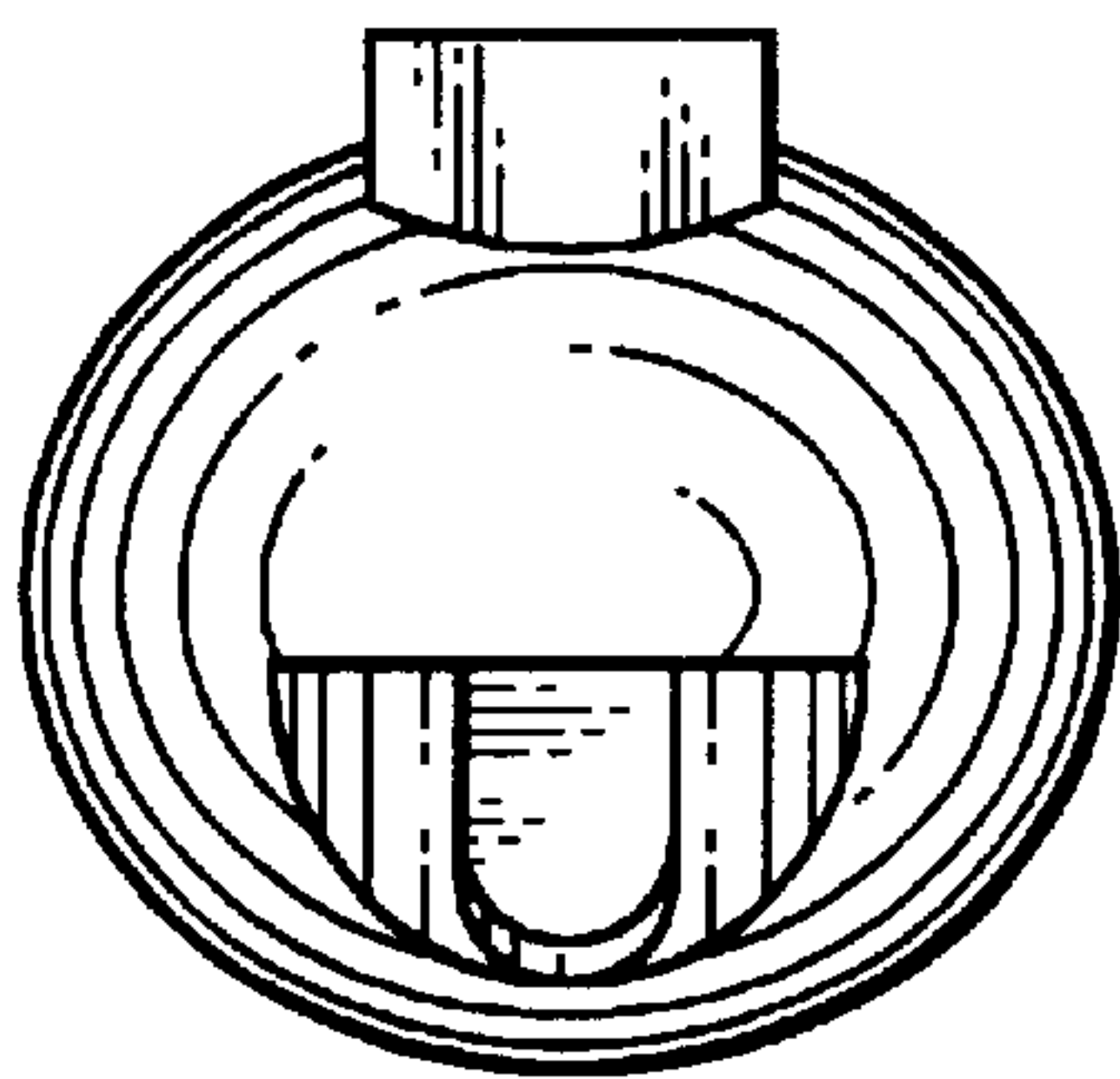


Fig. 5

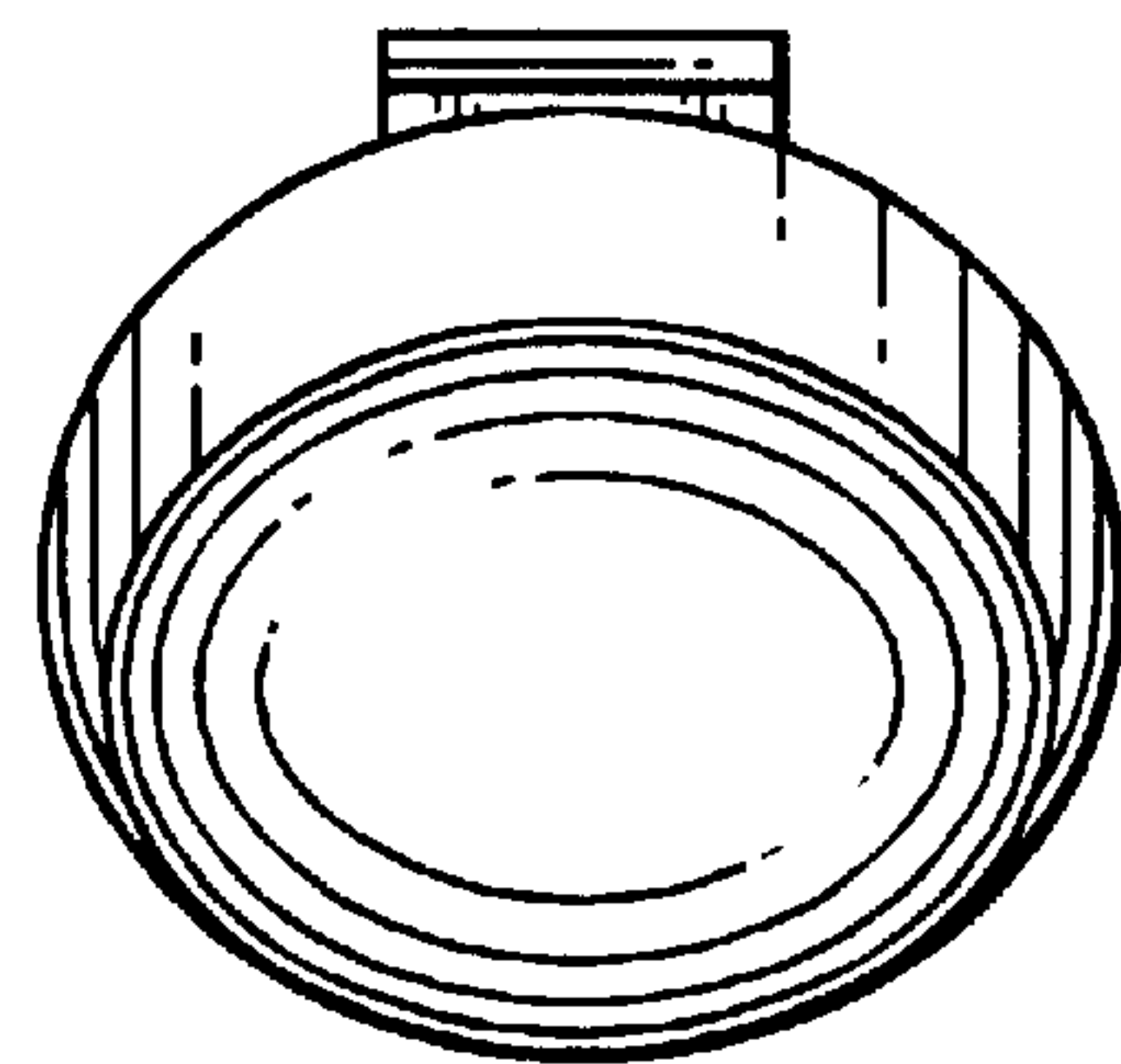


Fig. 6