



US00D470211S

(12) **United States Design Patent**
Redict

(10) **Patent No.:** **US D470,211 S**

(45) **Date of Patent:** **** Feb. 11, 2003**

(54) **HANDGUN HOLSTER HOLDER**

(76) Inventor: **Marvin T. Redict**, 1476 Baggett, #2,
Memphis, TN (US) 38127

(**) Term: **14 Years**

(21) Appl. No.: **29/153,380**

(22) Filed: **Nov. 9, 2001**

(51) **LOC (7) Cl.** **23-01**

(52) **U.S. Cl.** **D22/108**

(58) **Field of Search** D22/100, 108,
D22/199; D8/354; 5/503.1; 211/64; 224/198,
911; 248/201, 250, 205.1

(56) **References Cited**

U.S. PATENT DOCUMENTS

1,301,553 A	4/1919	Garner	
1,915,985 A	6/1933	Edwards	
1,964,035 A	6/1934	Cross	224/1
1,969,258 A	8/1934	Cross	224/1
4,461,442 A	7/1984	Keenan	5/508
4,466,148 A *	8/1984	Jones	5/503.1
4,483,501 A	11/1984	Eddy	248/205
4,521,930 A	6/1985	Henson	5/508
4,691,396 A	9/1987	Hoffman	5/503
4,788,838 A *	12/1988	Cislo	5/503.1 X
5,111,545 A *	5/1992	Krozal	224/911 X
D376,085 S *	12/1996	King, Jr.	D8/354 X
5,732,914 A *	3/1998	Flinn	248/201
D393,790 S *	4/1998	King, Jr.	D8/354 X

* cited by examiner

Primary Examiner—Louis S. Zarfes

Assistant Examiner—Monica A. Weingart

(74) *Attorney, Agent, or Firm*—Walker, McKenzie &
Walker PC

(57) **CLAIM**

The ornamental design for a handgun holster holder, as shown and described.

DESCRIPTION

An article for being attached to a bed frame and for holding a handgun holster.

FIG. 1 is a perspective view of a handgun holster holder, showing a preferred embodiment of my new design as viewed generally from the front, left.

FIG. 2 is a perspective view of the handgun holster holder of FIG. 1, as viewed generally from the rear, right.

FIG. 3 is a rear elevation of the handgun holster holder of FIG. 1

FIG. 4 is a front elevation view of the handgun holster holder of FIG. 1.

FIG. 5 is a top plan view of FIG. 3.

FIG. 6 is a bottom plan view of FIG. 3.

FIG. 7 is a left end elevation of FIG. 3; and,

FIG. 8 is a right end elevation of FIG. 3.

Certain environmental structure, including parts of screws, bolts and nuts, is shown in broken lines drawing, for illustrative purposes only, and forms no part of the claimed design.

1 Claim, 2 Drawing Sheets

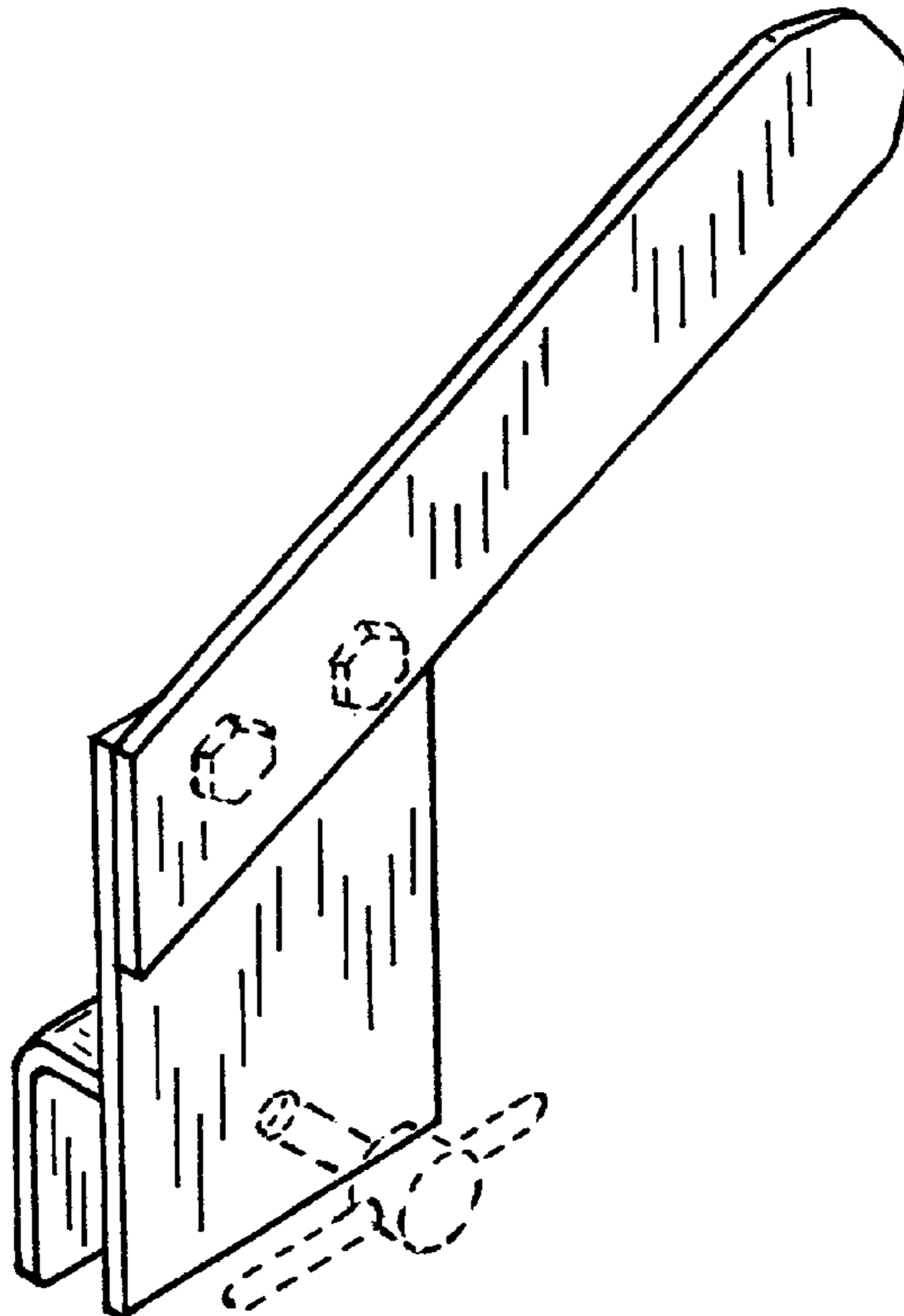


FIG. 1

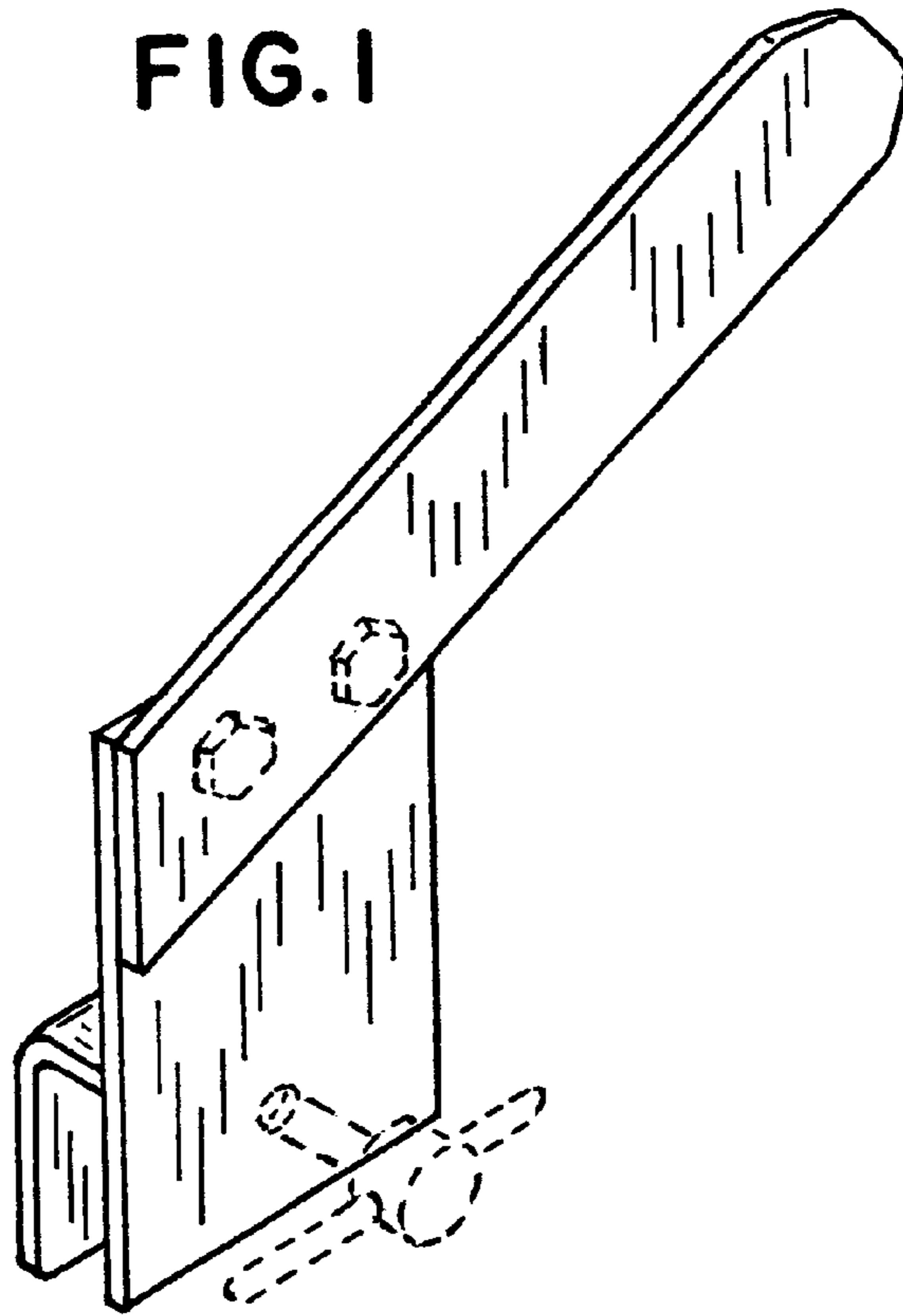


FIG. 2

