



US00D470196S

(12) **United States Design Patent**
Sorensen

(10) **Patent No.:** **US D470,196 S**

(45) **Date of Patent:** **** Feb. 11, 2003**

(54) **TOY BUILDING ELEMENT**

(76) **Inventor:** **Soren Christian Sorensen, P O Box**
256 North Side, Grand Cayman (KY)

(**) **Term:** **14 Years**

(21) **Appl. No.:** **29/160,726**

(22) **Filed:** **May 15, 2002**

D403,721 S	1/1999	Bean
D430,231 S	8/2000	Sorensen et al.
D435,609 S	12/2000	Sorensen
D437,895 S	2/2001	Sorensen
6,250,986 B1	6/2001	Sorensen
D445,148 S	7/2001	McIntosh
D456,048 S	4/2002	Sorensen
D456,462 S	4/2002	Sorensen
D456,463 S	4/2002	Sorensen
D460,129 S	* 7/2002	Barazani et al. D21/499

Related U.S. Application Data

(63) Continuation-in-part of application No. 09/889,621, filed on Jul. 17, 2001, which is a continuation-in-part of application No. 09/246,317, filed on Feb. 8, 1999, now Pat. No. 6,250,986.

(51) **LOC (7) Cl.** **21-01**

(52) **U.S. Cl.** **D21/499**

(58) **Field of Search** D21/483-505;
D25/113-118; 446/85, 93-96, 102-107,
108-116, 117, 120-122, 124, 125, 127,
128; 52/592.1, 592.2, 592.4

(56) **References Cited**

U.S. PATENT DOCUMENTS

2,132,757 A	10/1938	Paulson
2,472,363 A	6/1949	Blackinton
D238,168 S	12/1975	Ketcham
D249,230 S	9/1978	Van Der Veken
D249,232 S	9/1978	Van Der Veken
4,792,319 A	12/1988	Svagerko
5,267,863 A	12/1993	Simmons, Jr.
D344,300 S	2/1994	Knudsen
D354,319 S	1/1995	Wilson
5,471,808 A	12/1995	De Pieri et al.
5,493,816 A	2/1996	Willemsen
D368,939 S	4/1996	Frederiksen
D370,503 S	6/1996	Burns
5,527,201 A	6/1996	Maddock
5,653,621 A	8/1997	Yao
5,848,927 A	12/1998	Frederiksen

FOREIGN PATENT DOCUMENTS

FR	00 0600	5/2000
WO	WO 93/04749	3/1993
WO	WO 00/47302	8/2000

OTHER PUBLICATIONS

“Fun-Tastic Blocks” Kuti-City Catalog Feb. 23, 1995.

* cited by examiner

Primary Examiner—Raphael Barkai
(74) *Attorney, Agent, or Firm*—Edward W. Callan

(57) **CLAIM**

The ornamental design for a toy building element, as shown and described.

DESCRIPTION

FIG. 1 is a top perspective view of the toy building element. FIG. 2 is a front view of the toy building element shown in FIG. 1, the rear view being identical.

FIG. 3 is a top view of the toy building element shown in FIG. 1.

FIG. 4 is a left side view of the toy building element shown in FIG. 1, the right side view being identical.

FIG. 5 is a bottom perspective view of the toy building element shown in FIG. 1.

The bottom view does not form part of the claimed design.

1 Claim, 1 Drawing Sheet

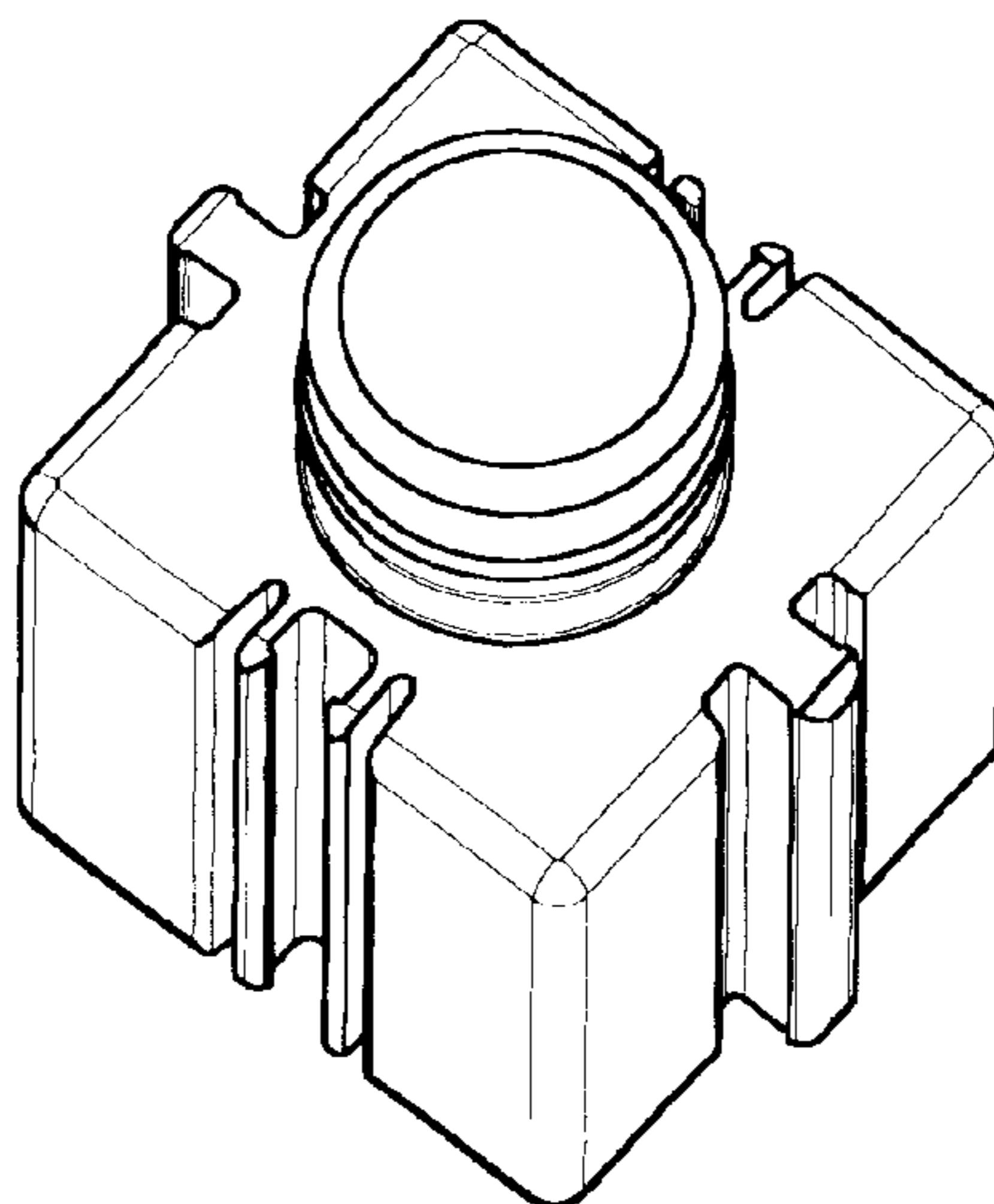


FIG. 1

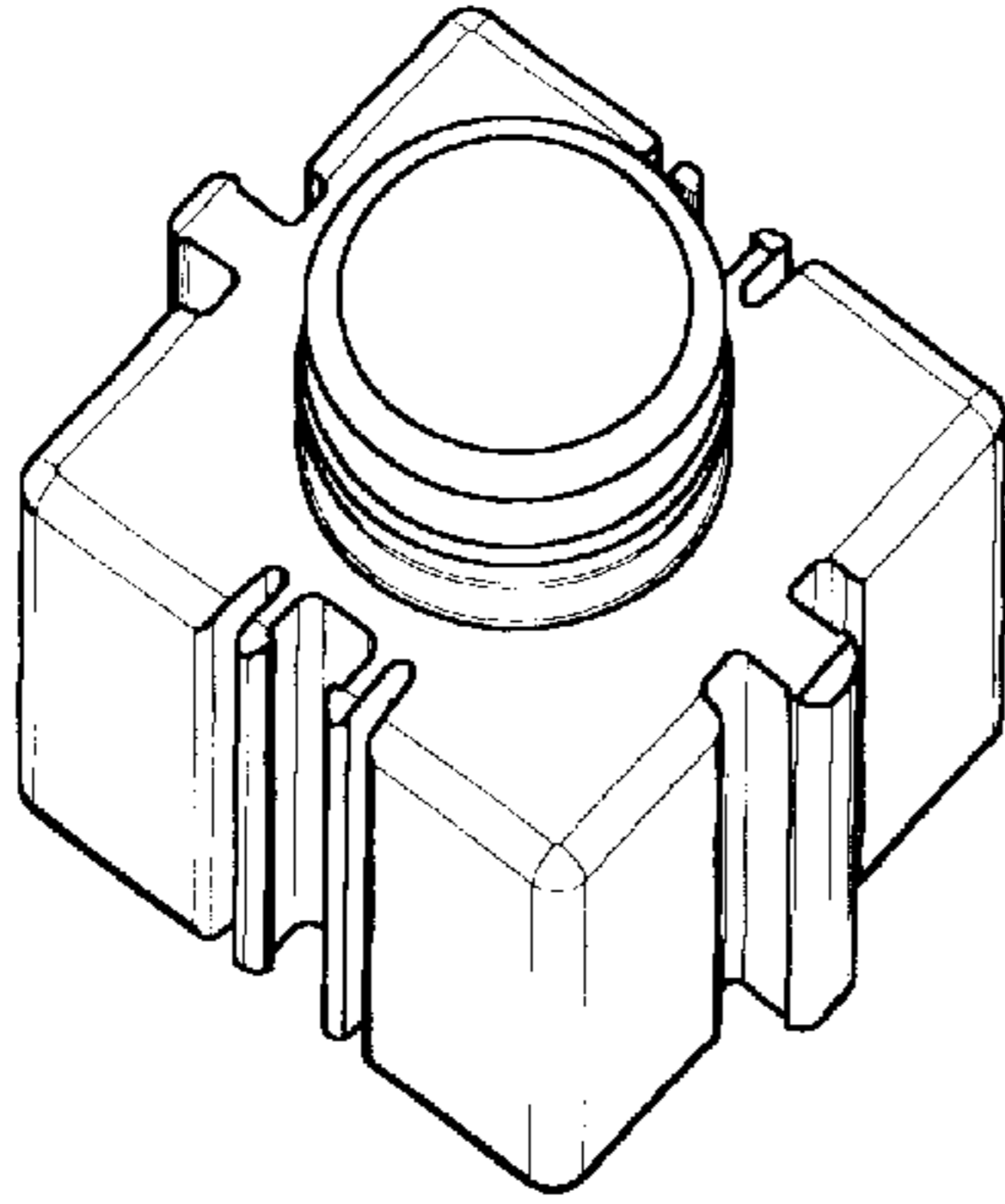


FIG. 5

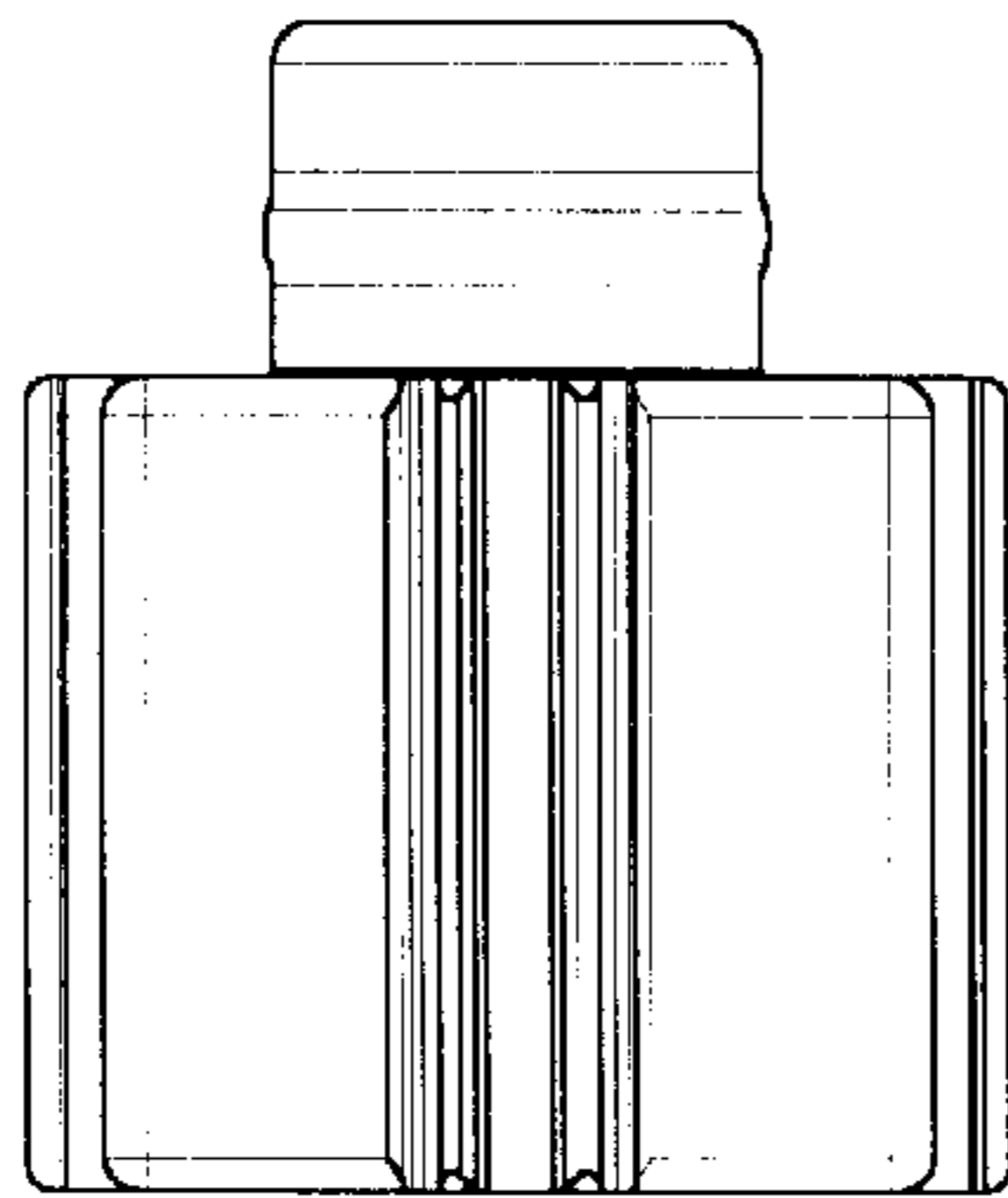
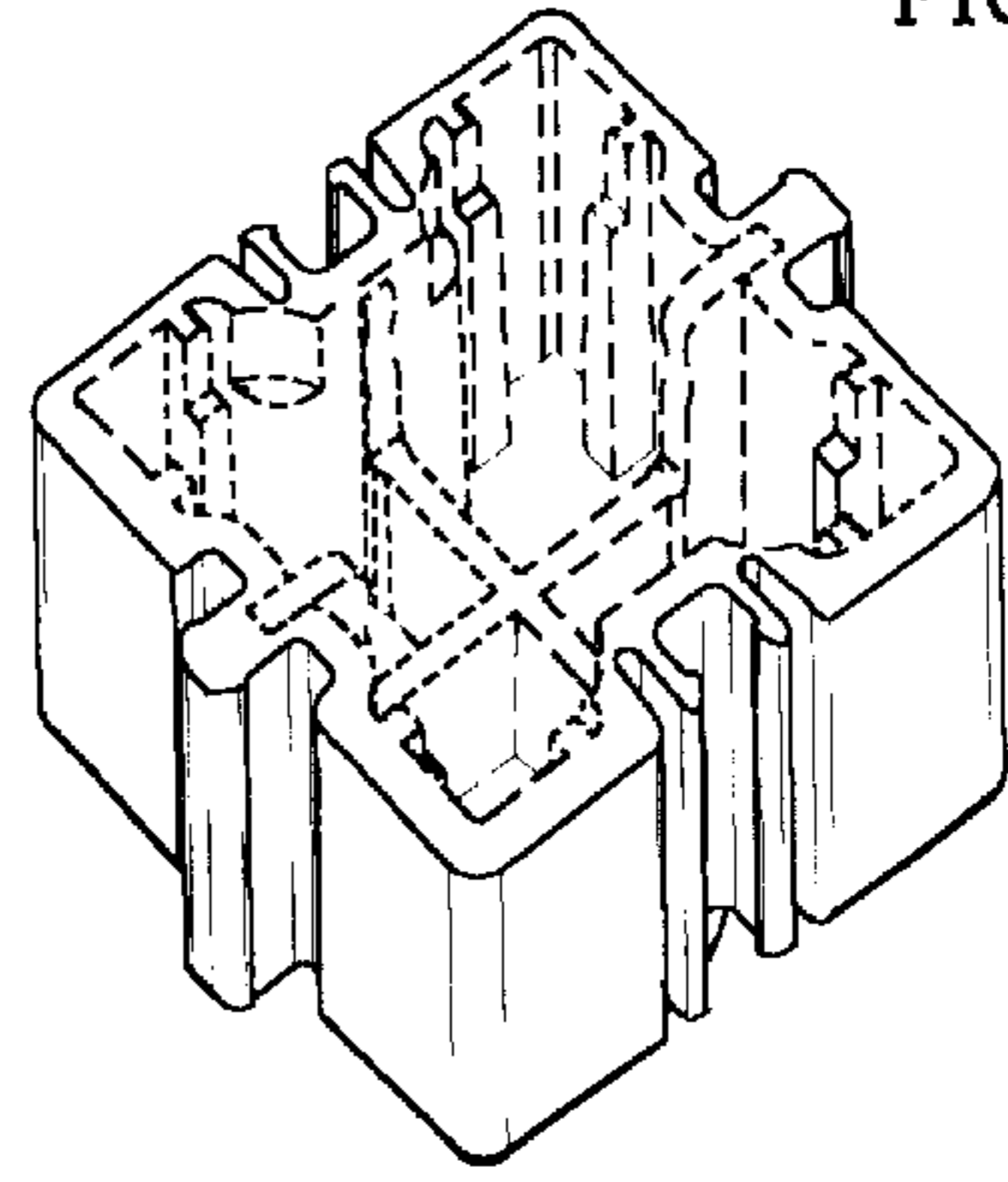


FIG. 2

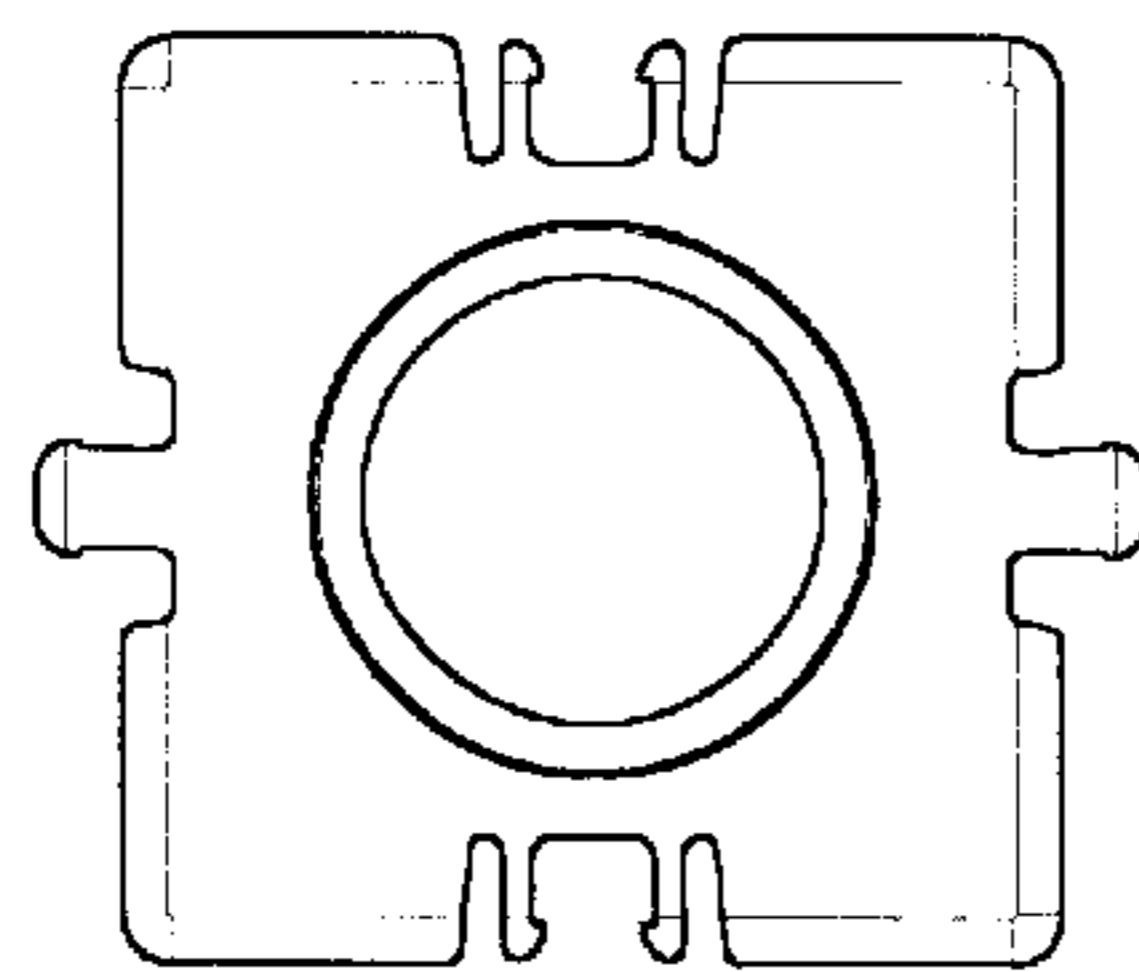


FIG. 3

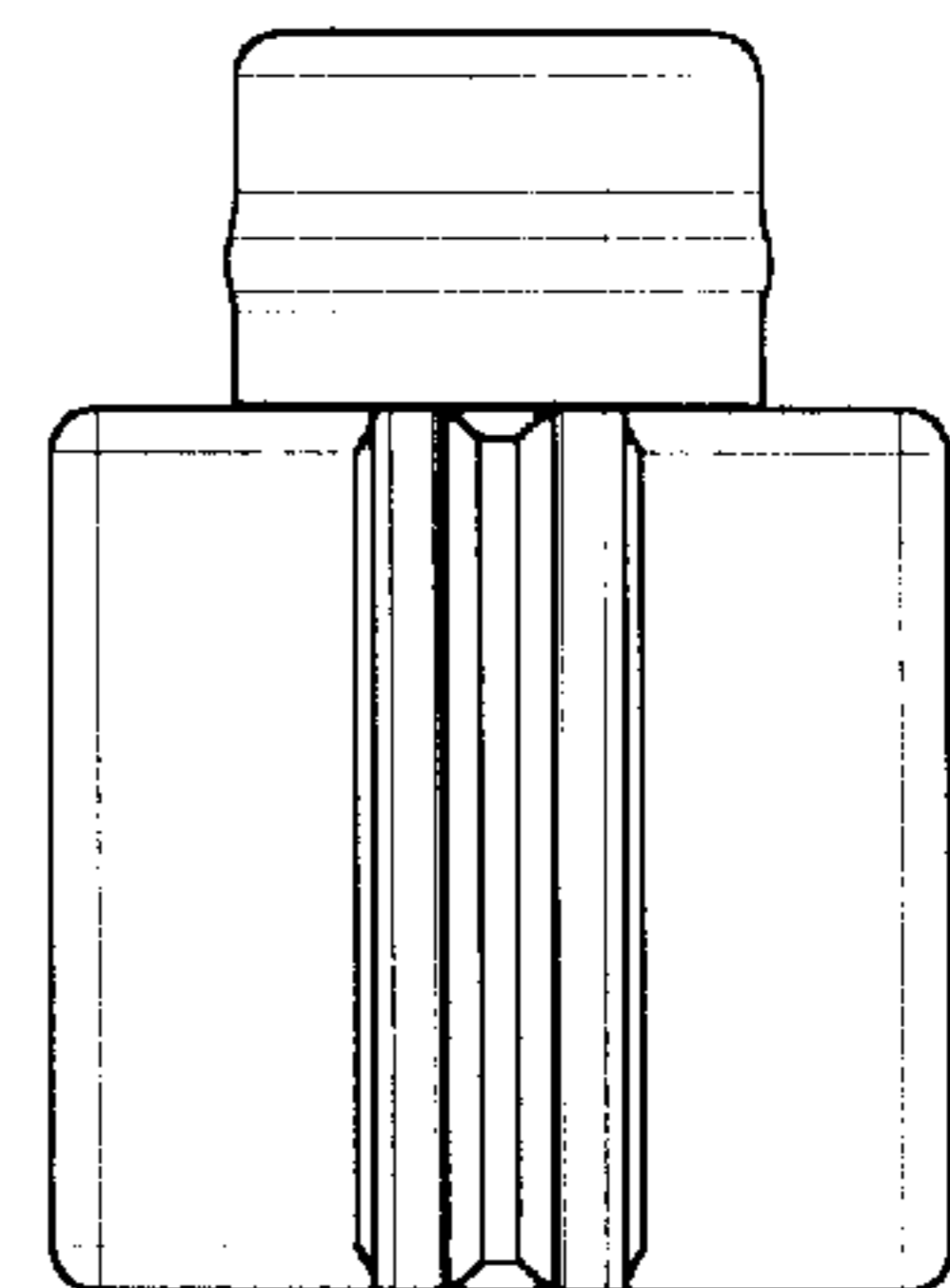


FIG. 4

UNITED STATES PATENT AND TRADEMARK OFFICE
CERTIFICATE OF CORRECTION

PATENT NO. : Des. 470,196 S
DATED : February 11, 2003
INVENTOR(S) : Soren Christian Sorensen

Page 1 of 1

It is certified that error appears in the above-identified patent and that said Letters Patent is hereby corrected as shown below:

Title page,

Before "DESCRIPTION", the following should be inserted:

-- BRIEF DESCRIPTION OF THE INTENDED USE OF THE ARTICLE IN WHICH THE DESIGN IS EMBODIED:

It is intended that the toy building element of the present invention be used in a set of toy building elements that are capable of being interconnected in a releasable engagement. --

Signed and Sealed this

Fifth Day of August, 2003

A handwritten signature in black ink, appearing to read "James E. Rogan", written over a horizontal line.

JAMES E. ROGAN
Director of the United States Patent and Trademark Office