



US00D470189S

(12) **United States Design Patent**  
**Nguyen**

(10) **Patent No.:** **US D470,189 S**

(45) **Date of Patent:** **\*\* Feb. 11, 2003**

(54) **SIGN SUPPORT**

(75) Inventor: **Lee Nguyen**, P.O. Box 4342,  
Westminster, CA (US) 92683

(73) Assignee: **Lee Nguyen**, Santa Ana, CA (US)

(\*\*) Term: **14 Years**

(21) Appl. No.: **29/149,798**

(22) Filed: **Oct. 16, 2001**

(51) **LOC (7) Cl.** ..... **20-02**

(52) **U.S. Cl.** ..... **D20/41**

(58) **Field of Search** ..... D20/10, 41, 42,  
D20/99; 40/605, 606, 607, 611; 116/28 R;  
248/150, 156, 545

(56) **References Cited**

**U.S. PATENT DOCUMENTS**

4,249,715	A	*	2/1981	Repp	.....	248/545
4,357,772	A	*	11/1982	Amick et al.	.....	40/605
D285,220	S	*	8/1986	Cooper et al.	.....	D20/42
4,790,092	A	*	12/1988	Farmer	.....	40/607
4,843,746	A	*	7/1989	Desnoyers et al.	.....	40/607
5,305,976	A	*	4/1994	Blanchard	.....	248/156
5,340,065	A	*	8/1994	Thomas	.....	248/150
D353,625	S	*	12/1994	Thomsen	.....	D20/41
5,400,535	A	*	3/1995	Schomaker	.....	40/607
5,489,076	A	*	2/1996	Thomas	.....	248/150
D410,253	S	*	5/1999	Gagnon	.....	D20/41
5,904,115	A	*	5/1999	Durbin et al.	.....	116/28 R

\* cited by examiner

*Primary Examiner*—Robert M Spear

(57) **CLAIM**

The ornamental design for a sign support, as shown and described.

**DESCRIPTION**

FIG. 1 is a front perspective view of a sign support showing my new design;

FIG. 2 is a rear view thereof;

FIG. 3 is an enlarged fragmentary view of detail A of FIG. 1;

FIG. 4 is an exploded view thereof;

FIG. 5 is an enlarged fragmentary view of detail B of FIG. 1;

FIG. 6 is an exploded view thereof;

FIG. 7 is an enlarged fragmentary view of detail C of FIG. 1;

FIG. 8 is an exploded view thereof;

FIG. 9 is an enlarged fragmentary view of detail D of FIG. 1;

FIG. 10 is an exploded view thereof;

FIG. 11 is a front perspective view of a second embodiment of a sign support;

FIG. 12 is a rear view thereof;

FIG. 13 is an enlarged fragmentary view of detail E of FIG. 11;

FIG. 14 is an exploded view thereof;

FIG. 15 is an enlarged fragmentary view of detail F of FIG. 11;

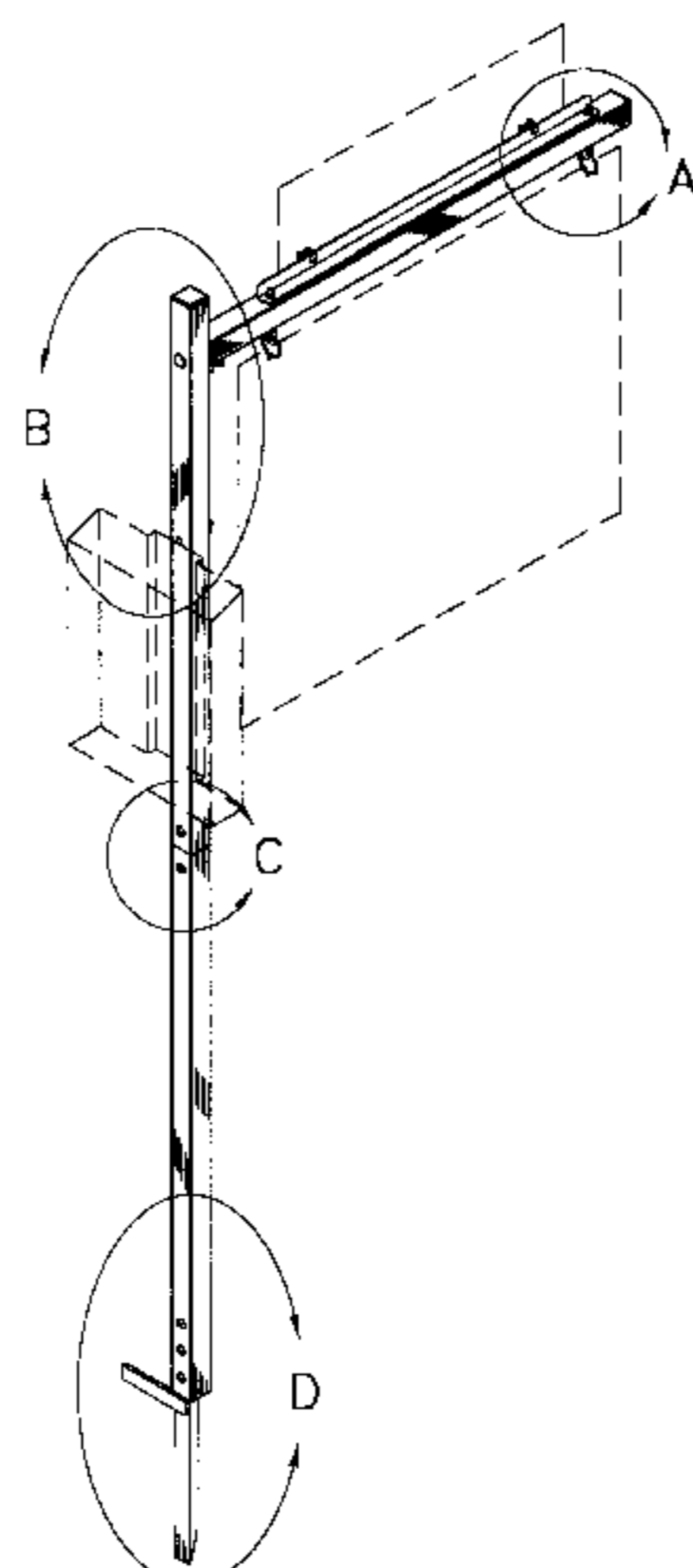
FIG. 16 is an exploded view thereof;

FIG. 17 is an enlarged fragmentary view of detail G of FIG. 11; and,

FIG. 18 is an exploded view thereof.

The broken lines in the drawings depict environmental structure, which forms no part of the claimed design.

**1 Claim, 11 Drawing Sheets**



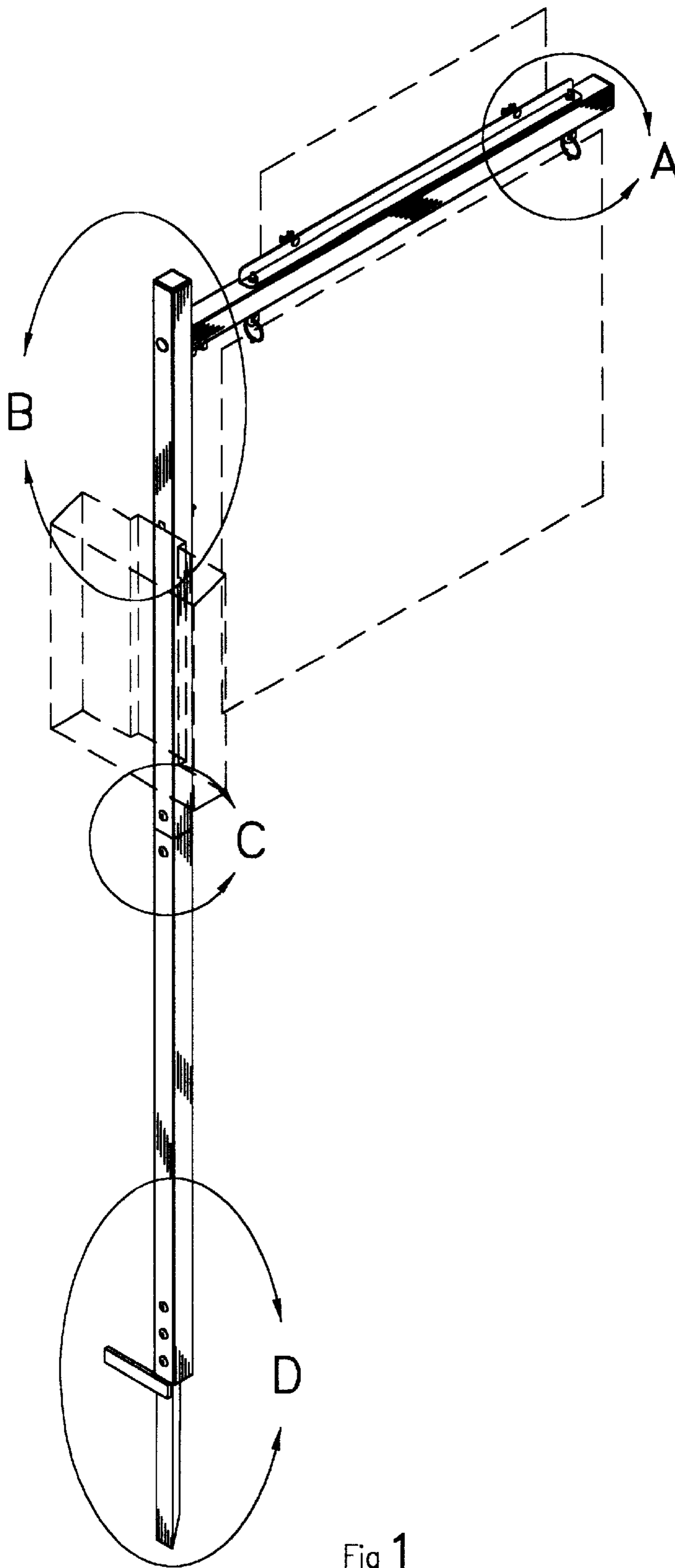


Fig 1

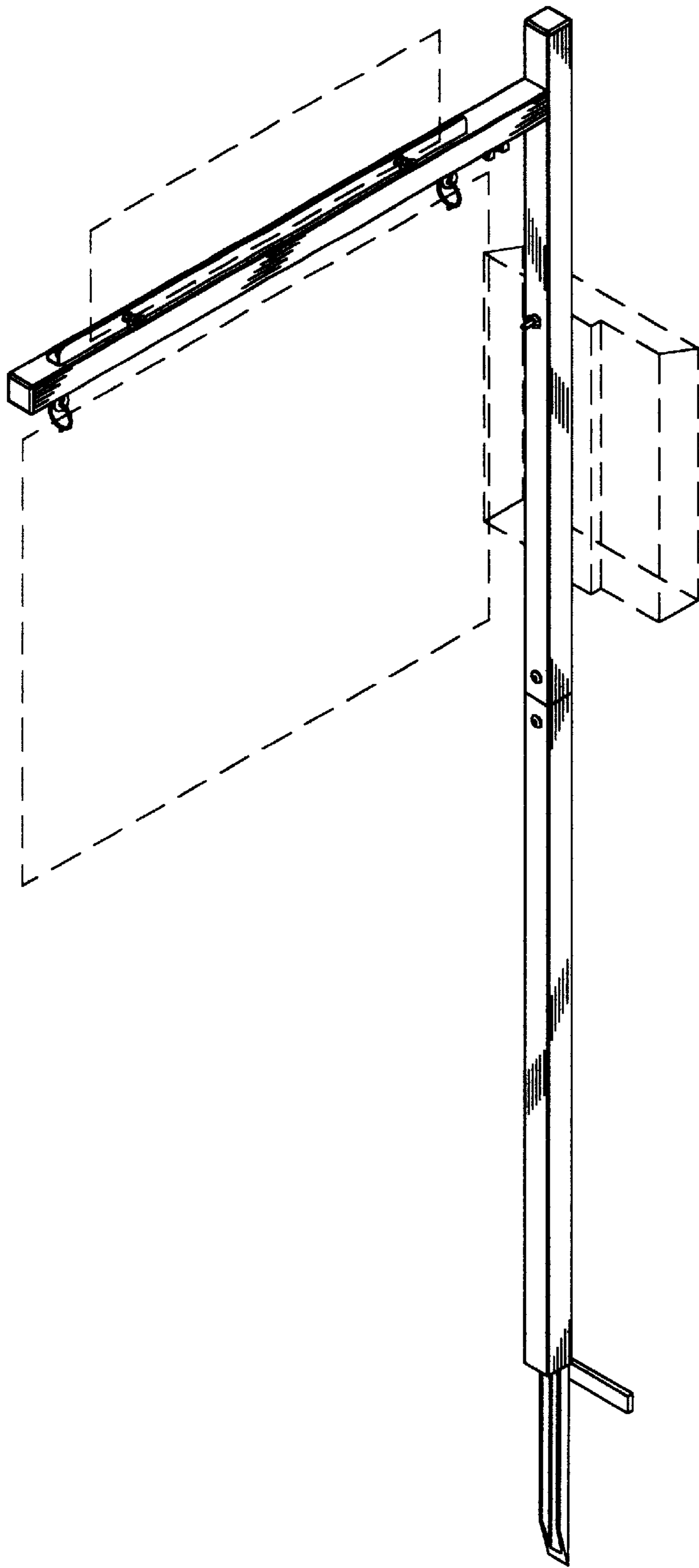


Fig 2

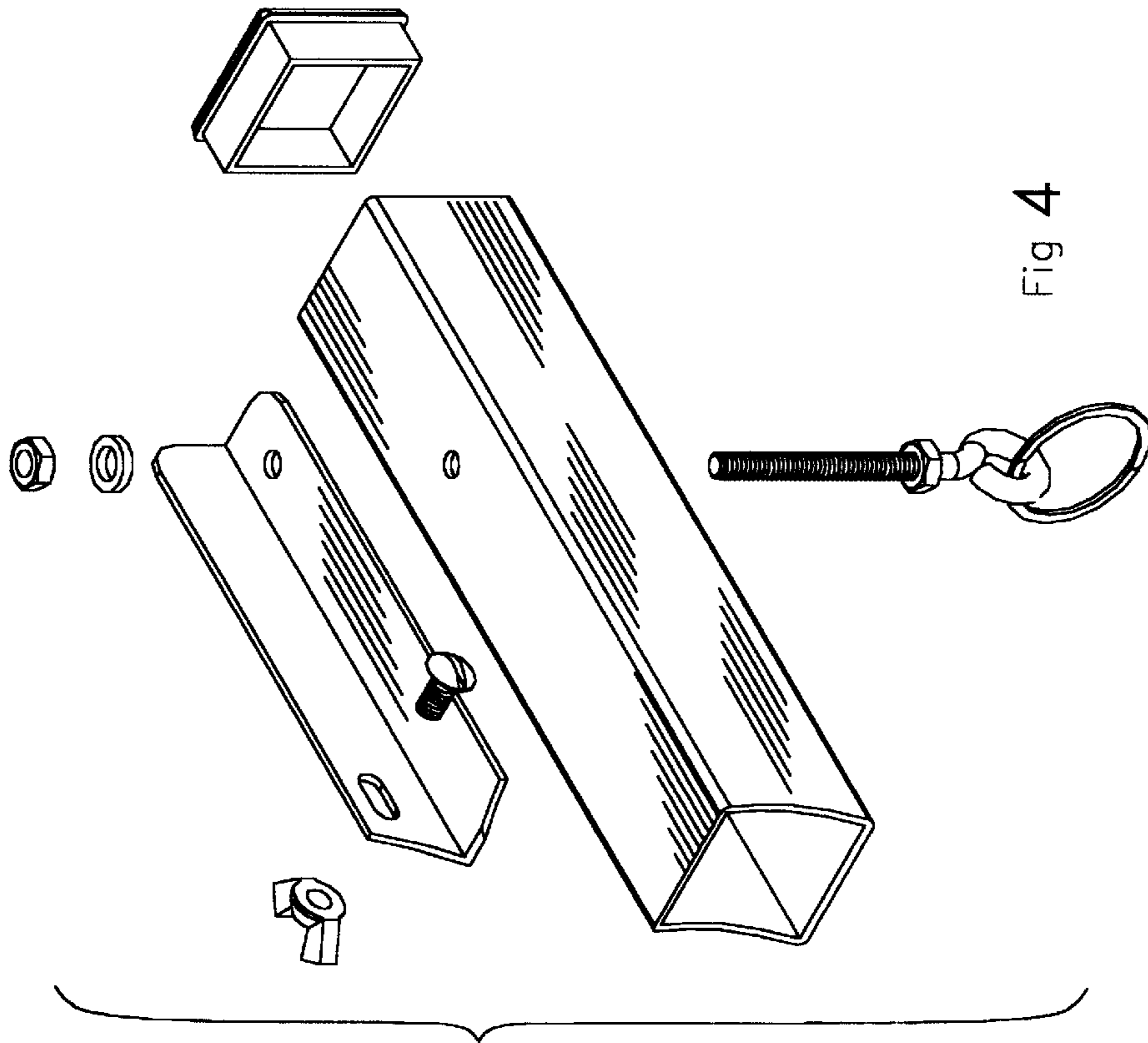


Fig 4

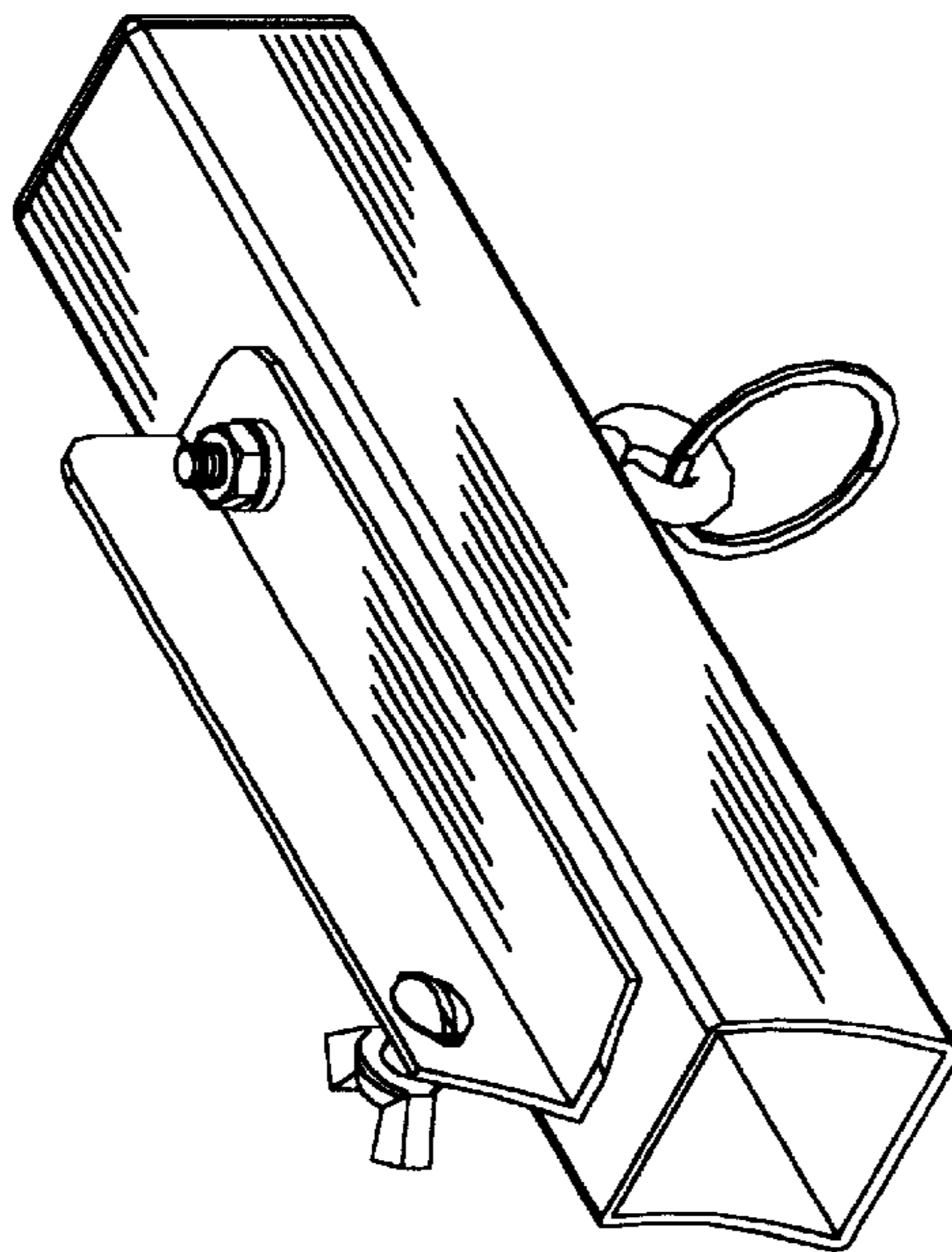


Fig 3

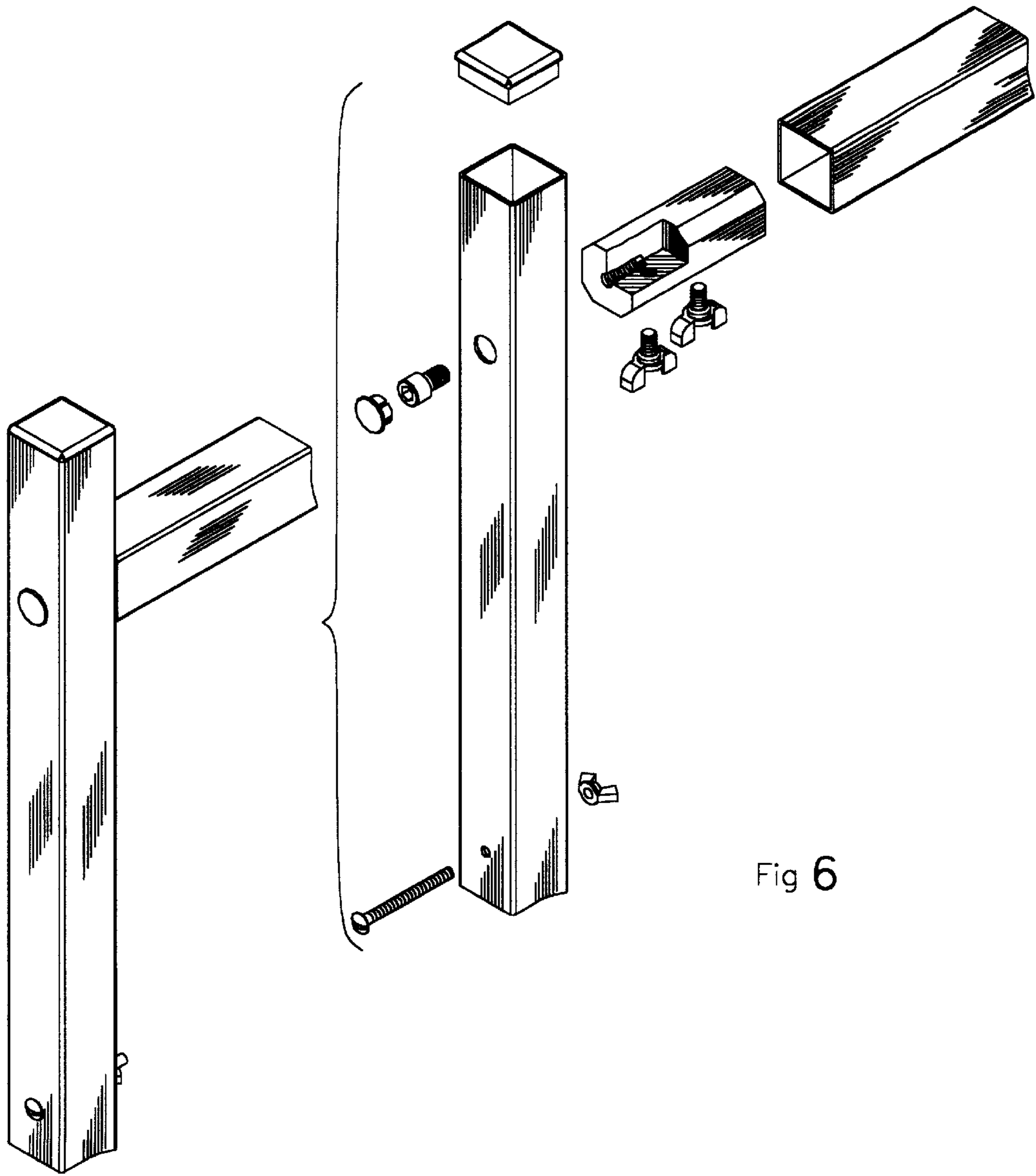


Fig 5

Fig 6

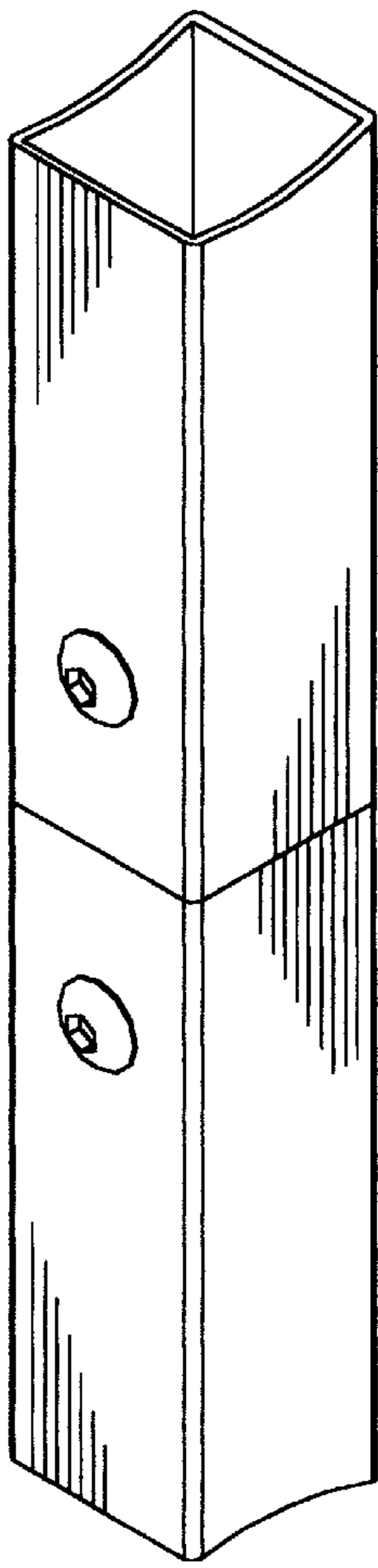


Fig 7

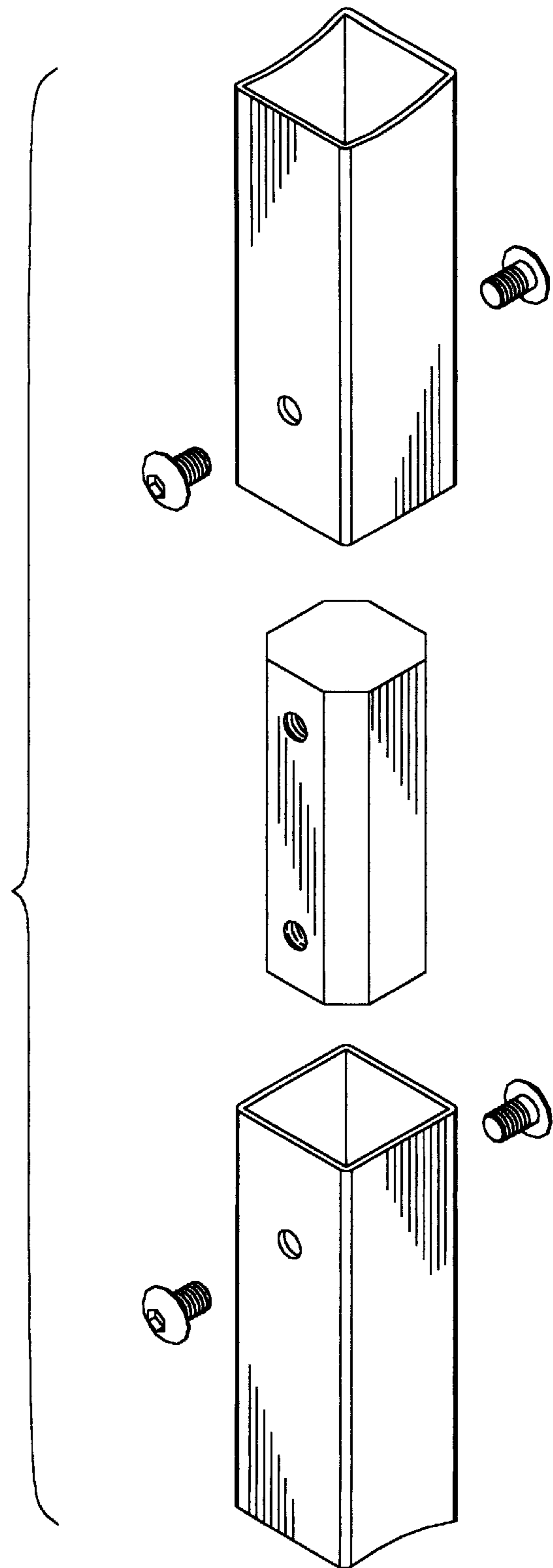


Fig 8

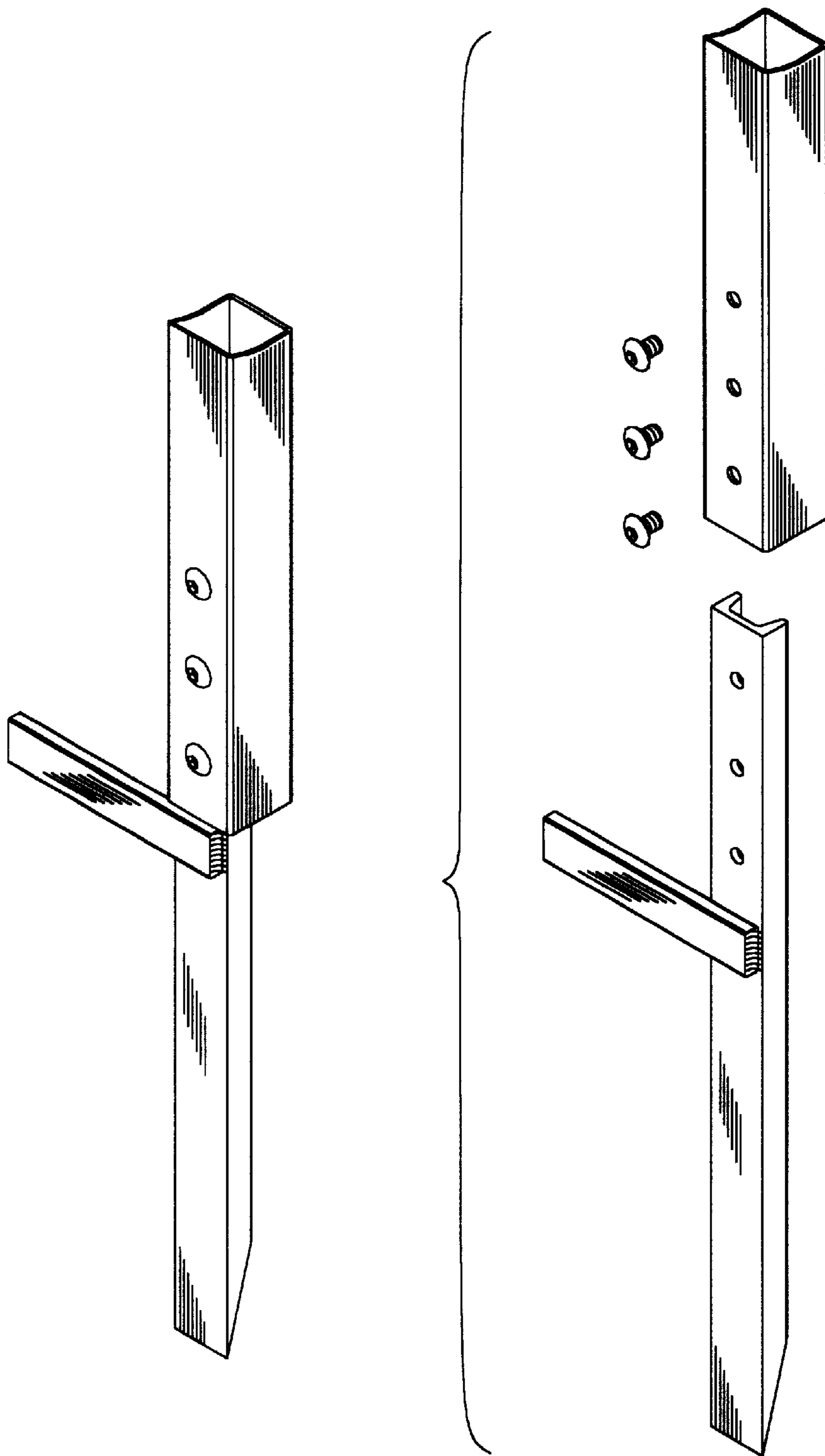


Fig 9

Fig 10

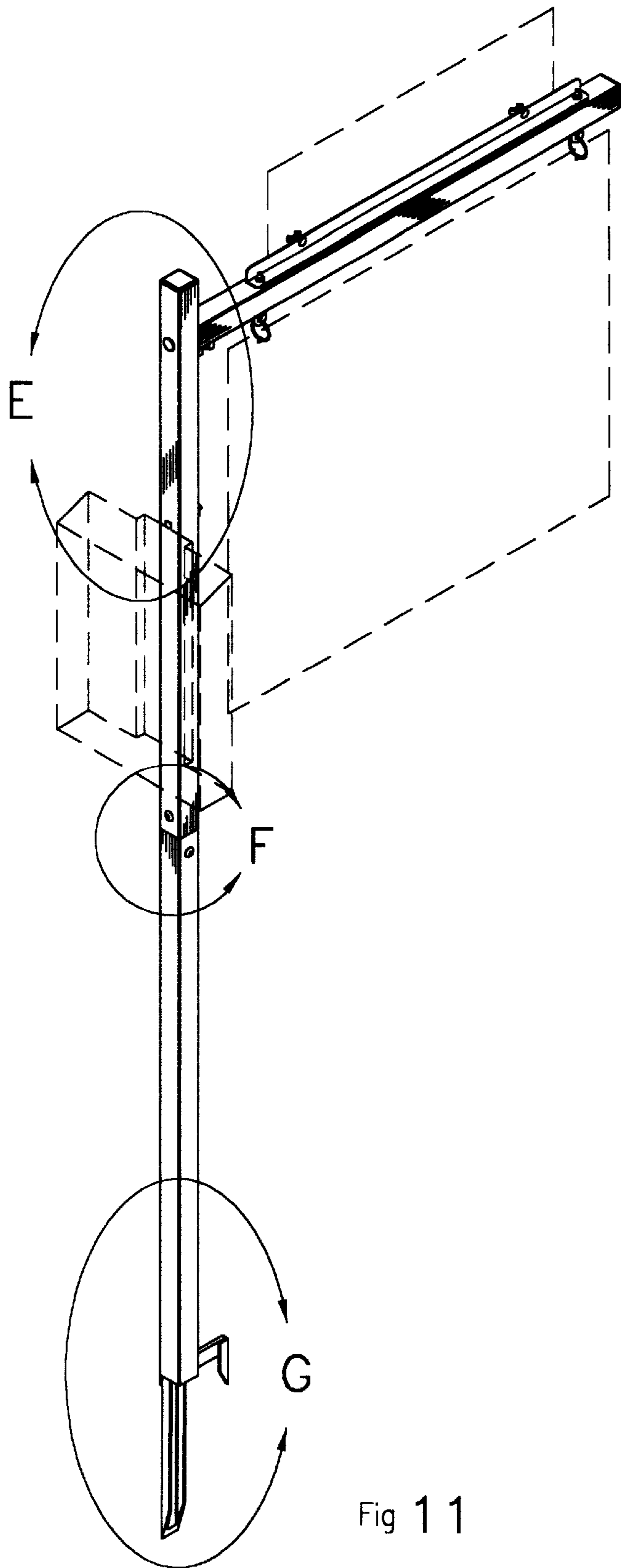


Fig 1 1



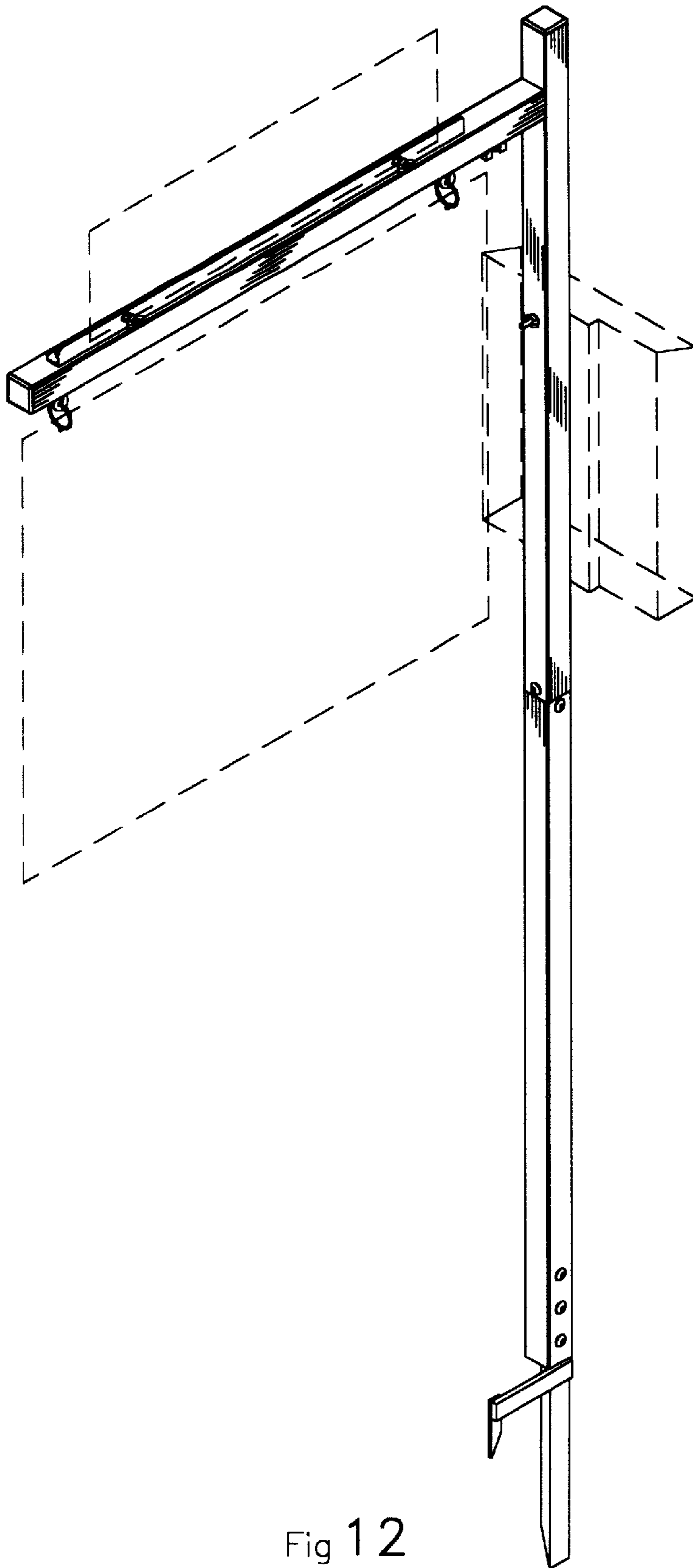


Fig 12

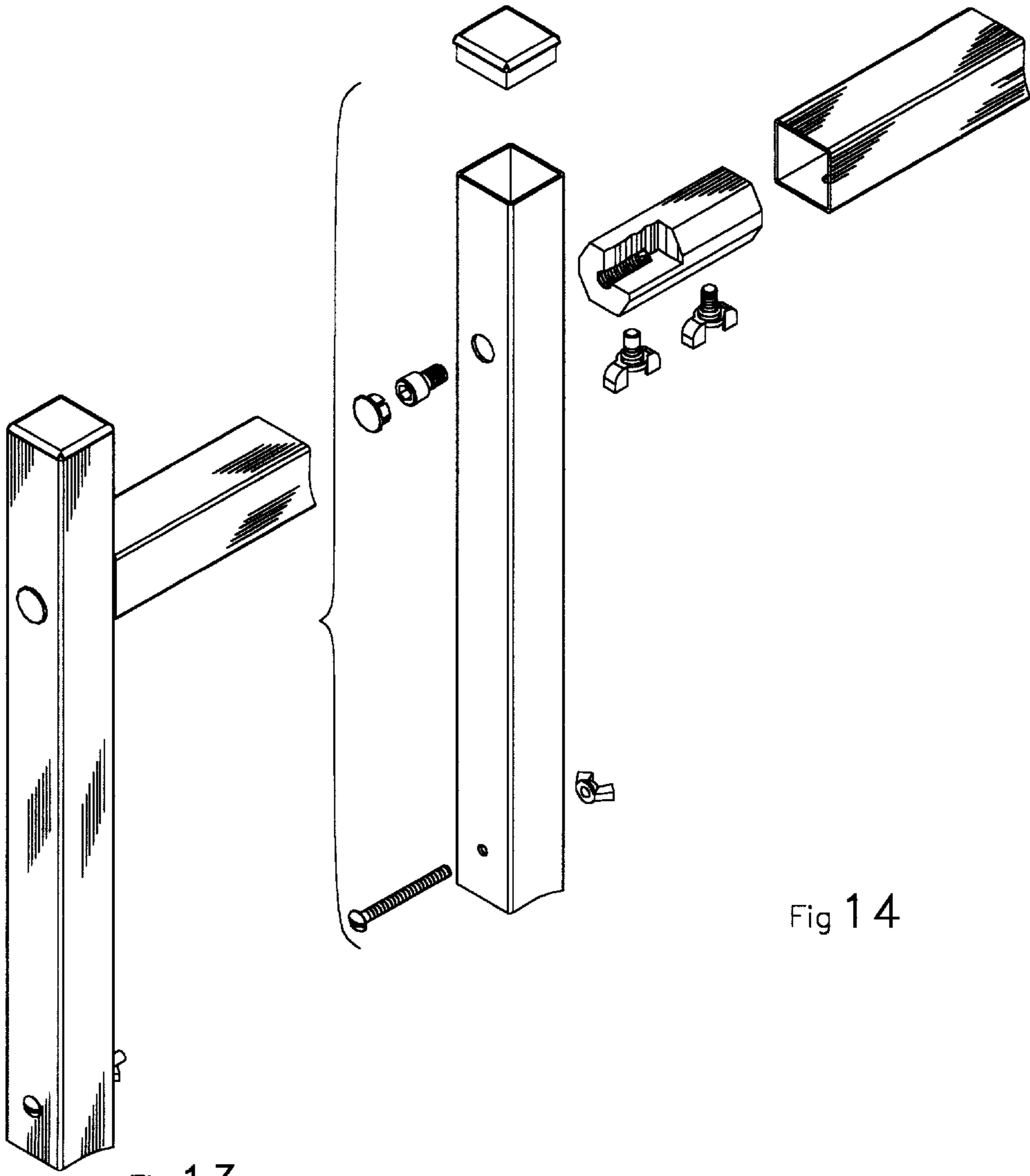


Fig 13

Fig 14

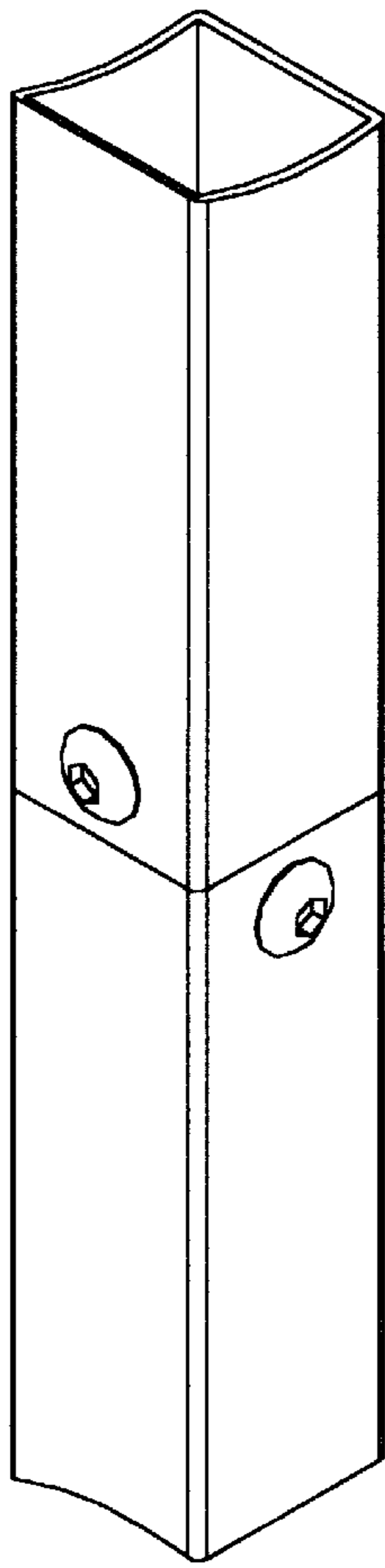


Fig 15

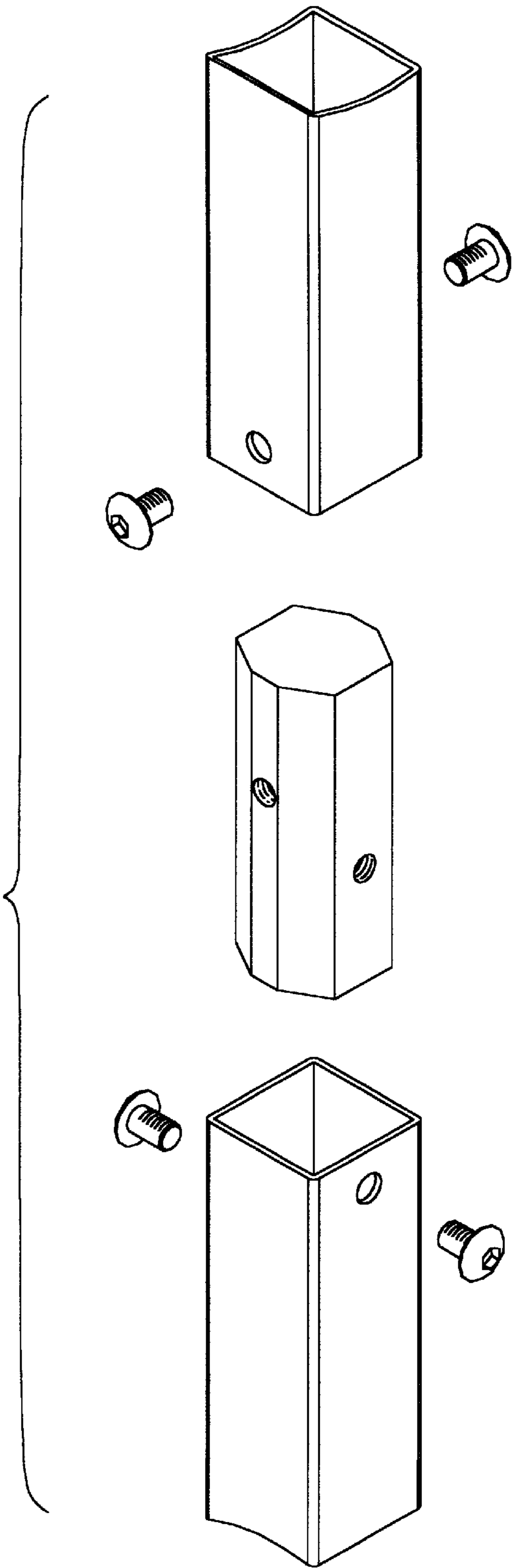


Fig 16

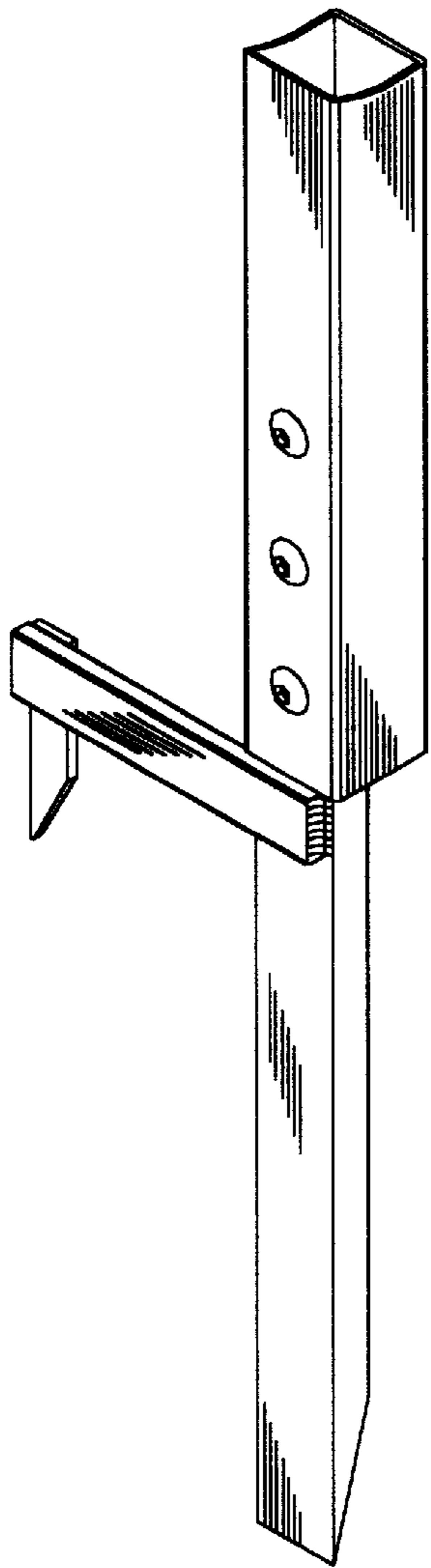


Fig 17

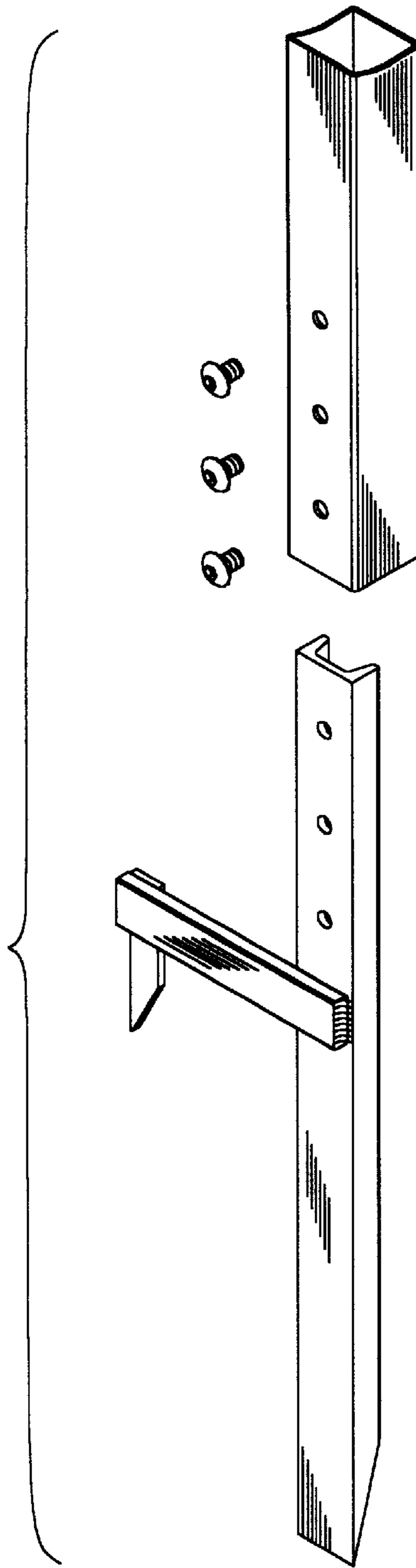


Fig 18