



US00D470186S

(12) **United States Design Patent**
Fuss

(10) **Patent No.:** **US D470,186 S**

(45) **Date of Patent:** **** Feb. 11, 2003**

(54) **GARMENT TAG COMPONENT**

D387,812 S * 12/1997 Liu D20/27
6,255,950 B1 * 7/2001 Nguyen 340/572.8

(76) Inventor: **Arthur Fuss**, 4235 Mary Ellen St.
#301, Studio City, CA (US) 91604

* cited by examiner

(**) Term: **14 Years**

Primary Examiner—Ian Simmons
Assistant Examiner—Robert A. Delehanty
(74) *Attorney, Agent, or Firm*—Roger A. Marrs

(21) Appl. No.: **29/145,706**

(22) Filed: **Jul. 30, 2001**

(57) **CLAIM**

(51) **LOC (7) Cl.** **19-08**

The ornamental design for garment tag component, as shown.

(52) **U.S. Cl.** **D20/22**

(58) **Field of Search** D20/22, 27-28;
40/299.01, 306, 310, 330, 625-630, 5-6,
27; 340/572.9

DESCRIPTION

(56) **References Cited**

U.S. PATENT DOCUMENTS

3,971,458	A	*	7/1976	Koenig	190/120
4,685,234	A	*	8/1987	Anderson et al.	40/625
5,099,228	A	*	3/1992	Israel et al.	340/572
D330,917	S	*	11/1992	Hoelterscheidt	D20/28
5,238,720	A	*	8/1993	Volkman	40/306 X
5,426,419	A	*	6/1995	Nguyen et al.	340/572
D368,508	S	*	4/1996	Garrett	D20/22

FIG. 1 is a top perspective view showing my design for a garment tag component;
FIG. 2 is a bottom perspective view thereof;
FIG. 3 is a top plan view thereof;
FIG. 4 is a bottom plan view thereof;
FIG. 5 is an end elevational view thereof;
FIG. 6 is an end elevational view taken from the opposite end from FIG. 5;
FIG. 7 is a right side elevational view; and,
FIG. 8 is a left side elevational view thereof.

1 Claim, 1 Drawing Sheet

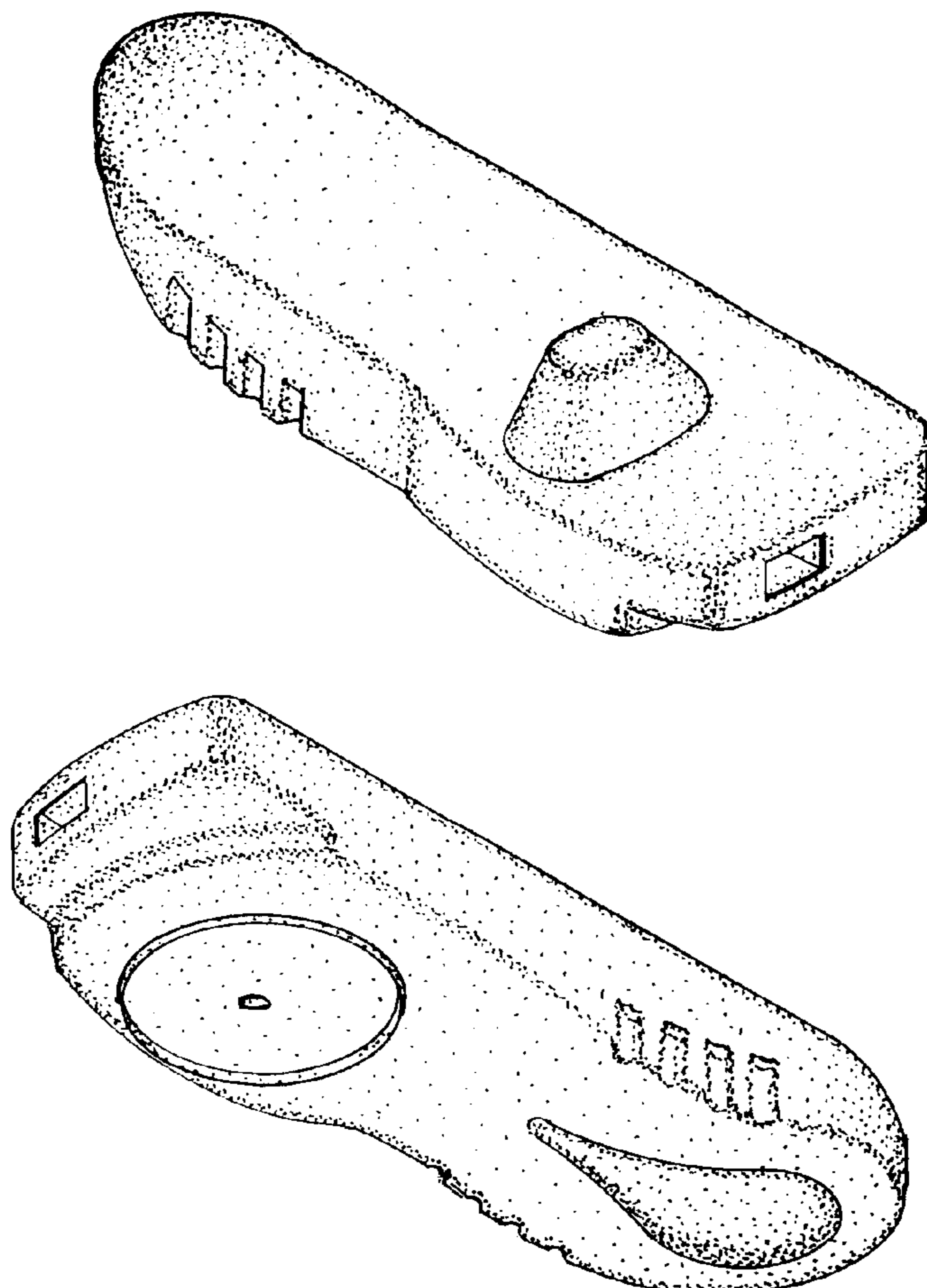


FIG. 1

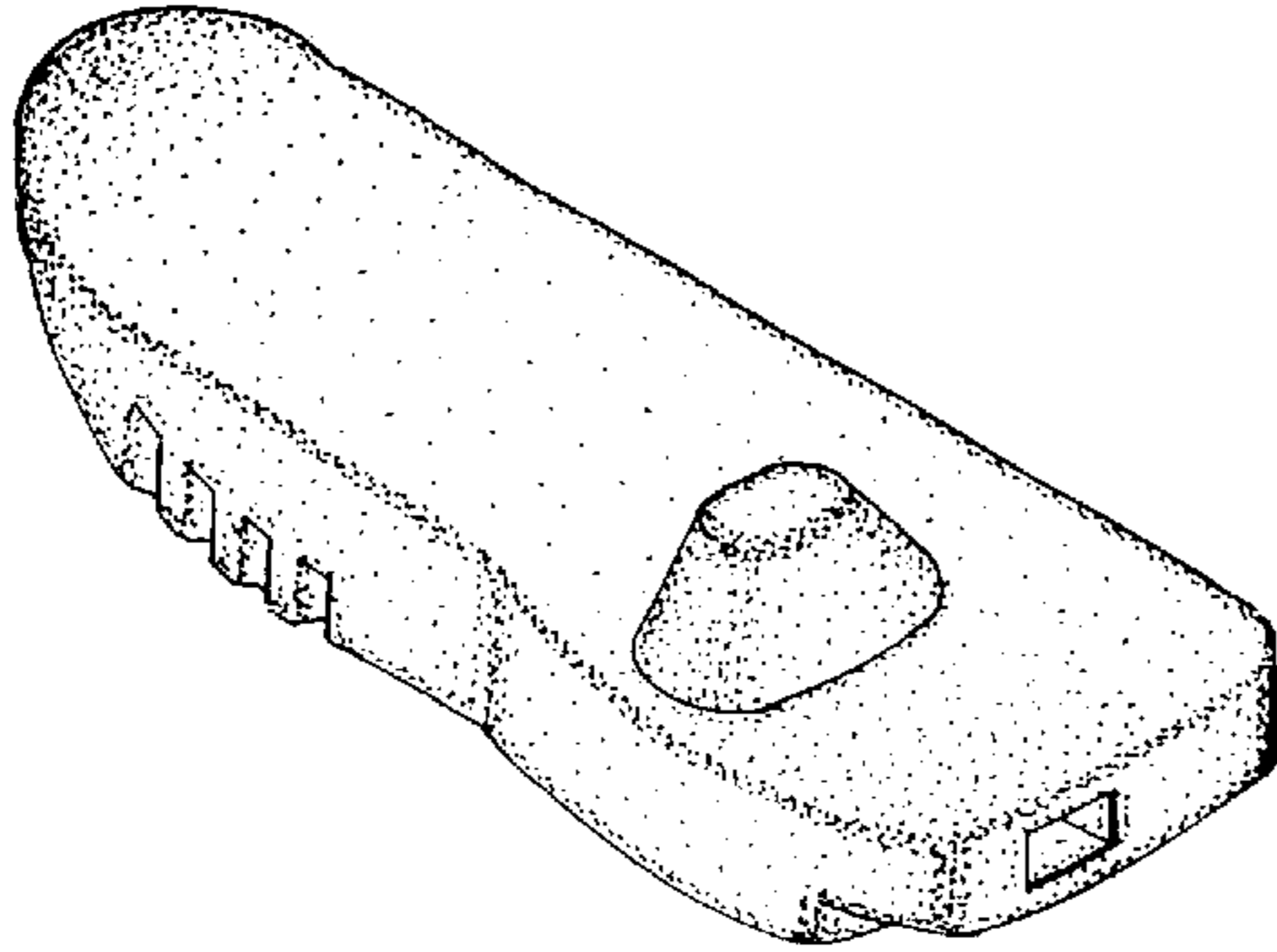


FIG. 2

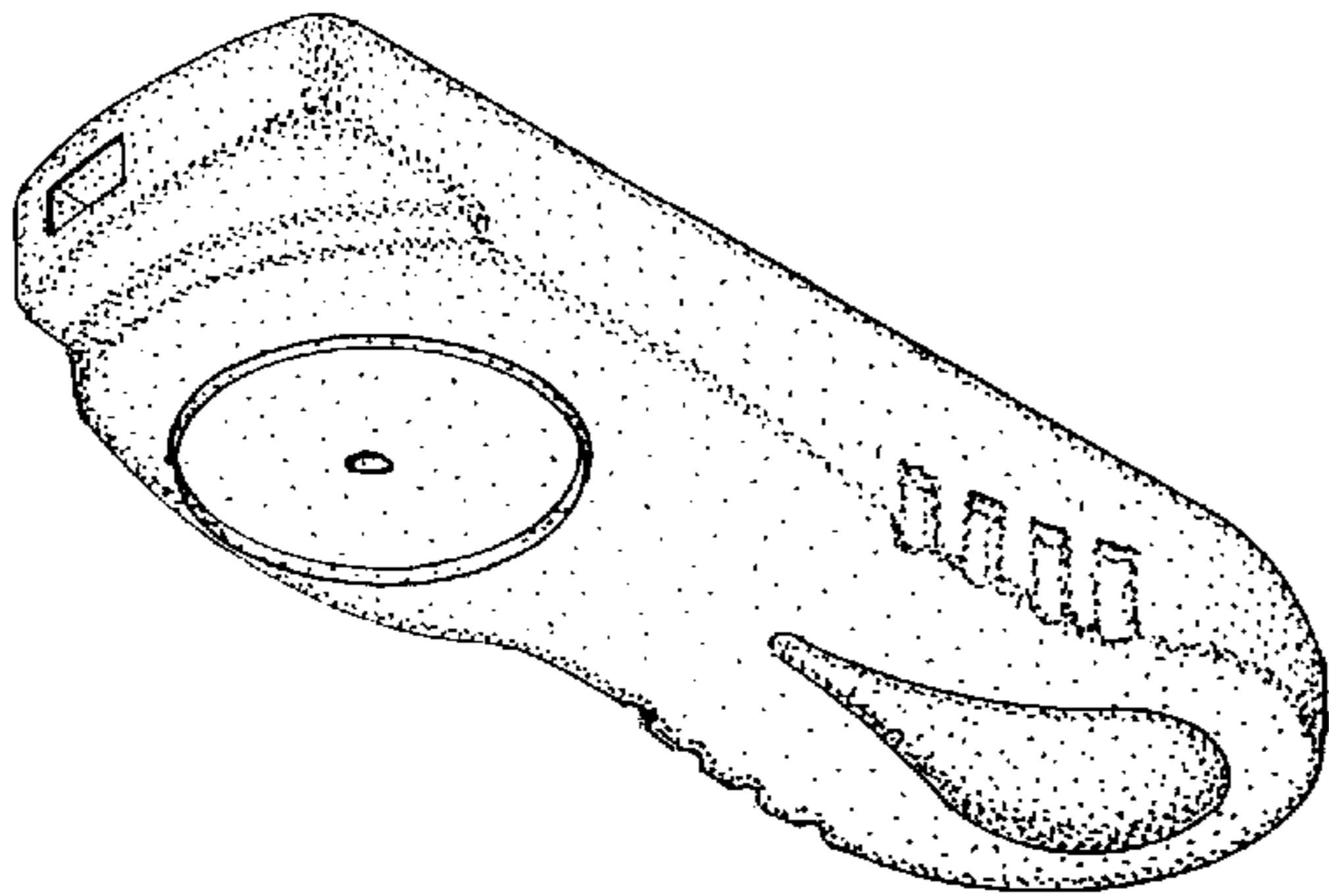


FIG. 3

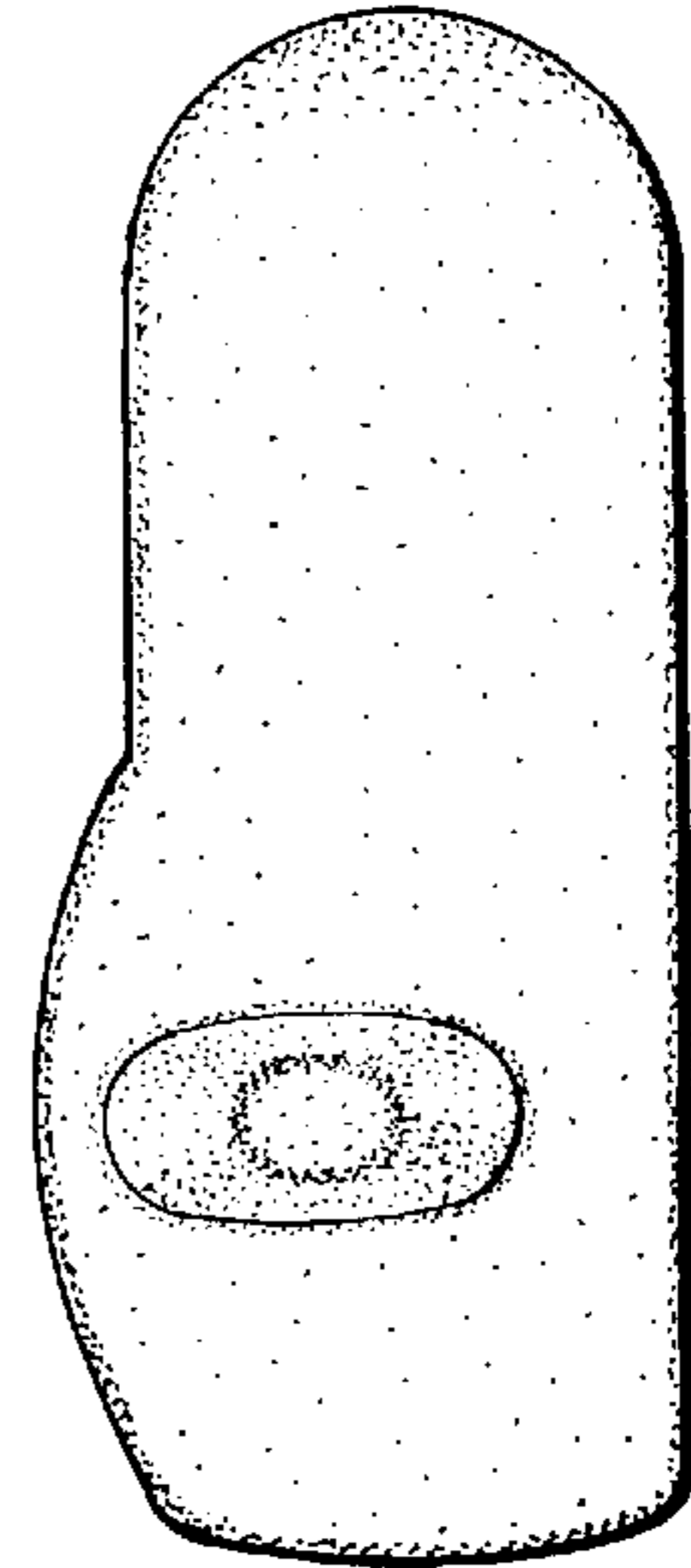


FIG. 5

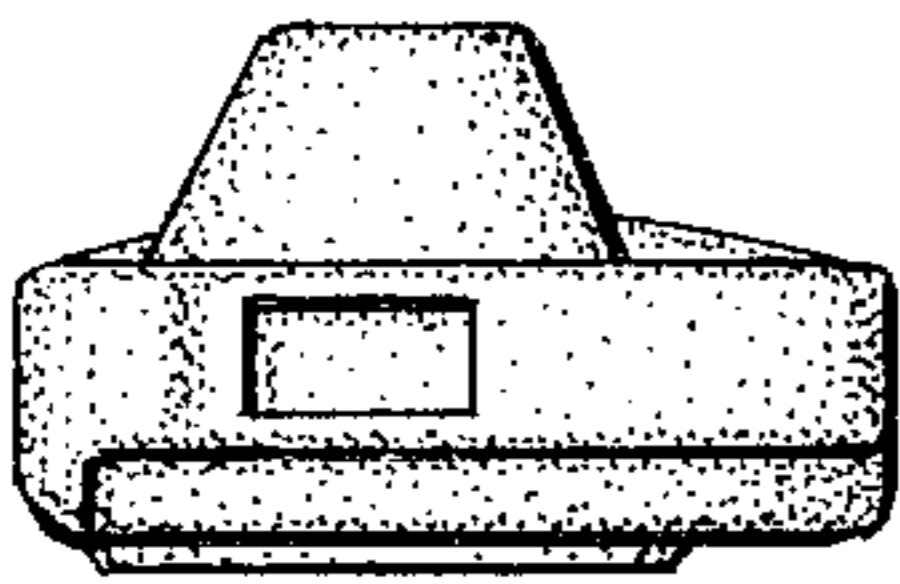


FIG. 6

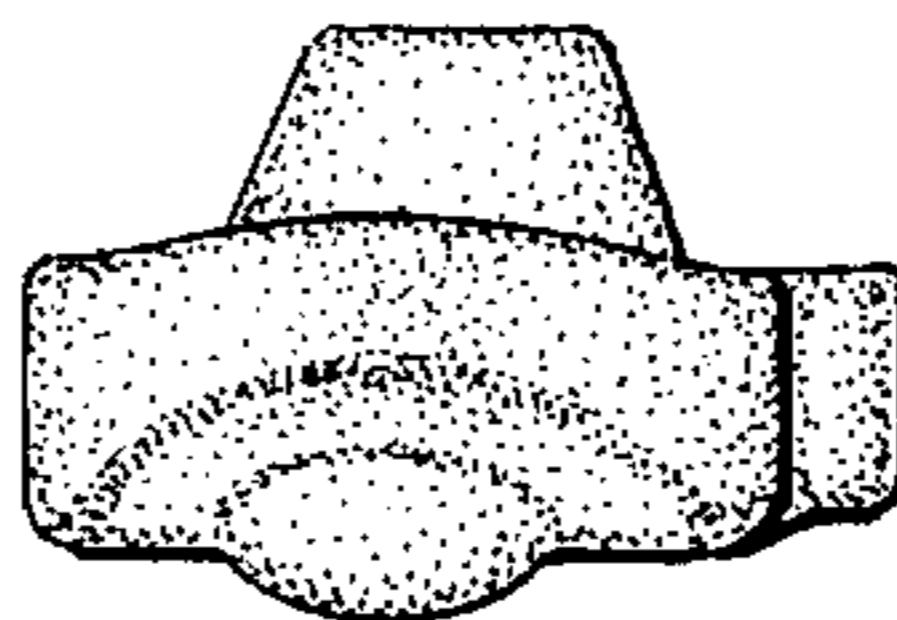


FIG. 4

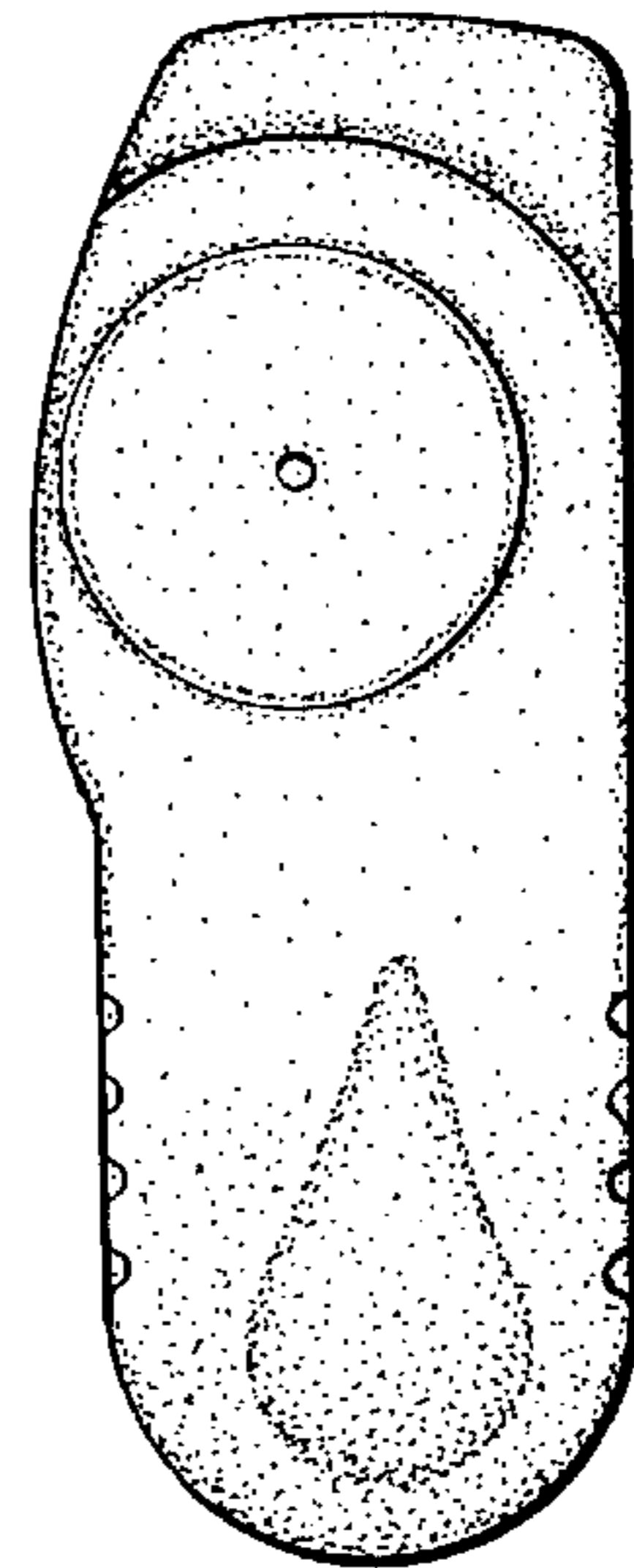


FIG. 8

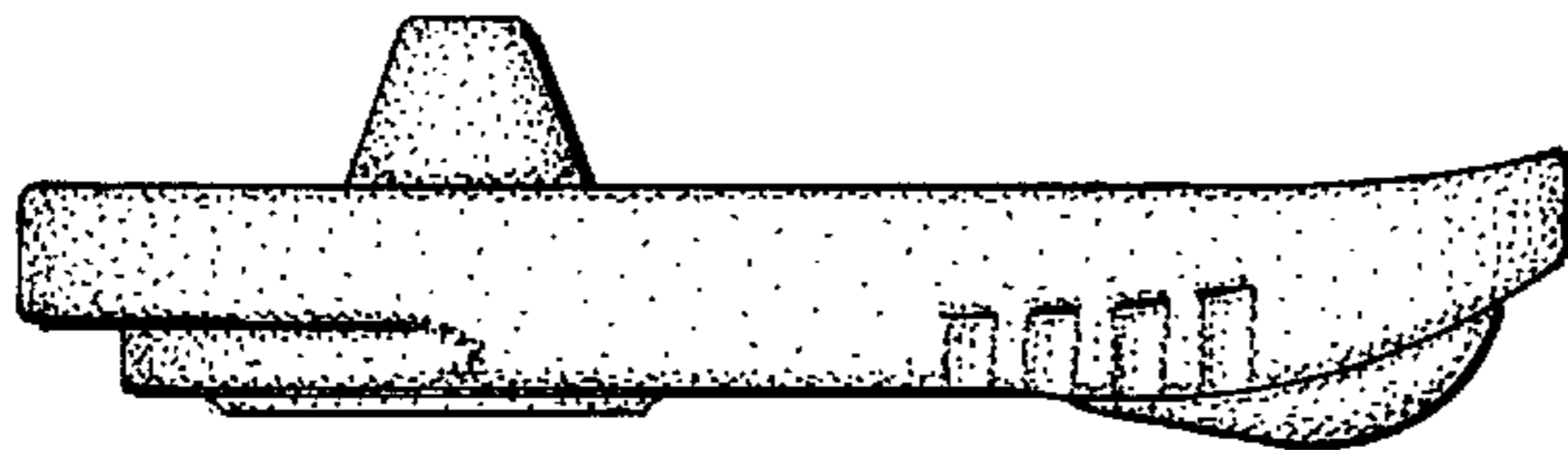


FIG. 7

