



US00D470185S

(12) **United States Design Patent**
Hassett

(10) **Patent No.:** **US D470,185 S**

(45) **Date of Patent:** **** Feb. 11, 2003**

(54) **MULTIPLE USE HANGING FILE**

(75) Inventor: **Eric S. Hassett**, Golden, CO (US)

(73) Assignee: **Case Logic, Inc.**, Longmont, CO (US)

(**) Term: **14 Years**

(21) Appl. No.: **29/162,066**

(22) Filed: **Jun. 7, 2002**

(51) **LOC (7) Cl.** **19-02**

(52) **U.S. Cl.** **D19/90; D19/75; D19/78**

(58) **Field of Search** **D19/65, 75, 77,**
D19/78, 81-85, 86, 90, 91, 99, 100; 150/113;
312/183, 184; 211/46, 45, 11; 229/67.1-67.4,
928; 206/425, 449, 45.24

(56) **References Cited**

U.S. PATENT DOCUMENTS

3,874,501	A	*	4/1975	Cronheim	206/425	X
4,811,769	A	*	3/1989	Phares	150/113	
4,867,319	A	*	9/1989	Arner et al.	211/46	
D317,018	S	*	5/1991	Tarlow et al.	D19/90	
5,088,801	A	*	2/1992	Rorke et al.	312/184	
D333,910	S	*	3/1993	Rorke	D19/90	X
5,219,216	A	*	6/1993	Hassel et al.	312/9.54	
D337,653	S	*	7/1993	Hassel et al.	D19/75	X
5,971,166	A	*	10/1999	Ong	211/46	
D441,341	S		5/2001	Hassett	D12/416	

OTHER PUBLICATIONS

Guernsey Office Products Catalog, ©1999, p. 574, see circled item E, right center.*
Talus, Trunk Organizer.

Royal Traveller by Samsonite, Trunk Organizer, No. 624.
Axius, Easy Access Trunk Organizer, Trunkmaster.
Case Logic 2000 Catalog, p. 21.
Case Logic Spring 2000 Catalog, p. 17.
Case Logic 2002 Catalog, pp. 15, 34, 35.

* cited by examiner

Primary Examiner—Martie K. Holtje

(74) *Attorney, Agent, or Firm*—Sheridan Ross P.C.

(57) **CLAIM**

The ornamental design for a multiple use hanging file, as shown and described.

DESCRIPTION

FIG. 1 is a front perspective view of a multiple use hanging file showing my new design, the broken lines representing environment and forming no part of the claimed design;

FIG. 2 is a front elevation view of the invention illustrated in FIG. 1;

FIG. 3 is a rear elevation view of the invention illustrated in FIG. 1;

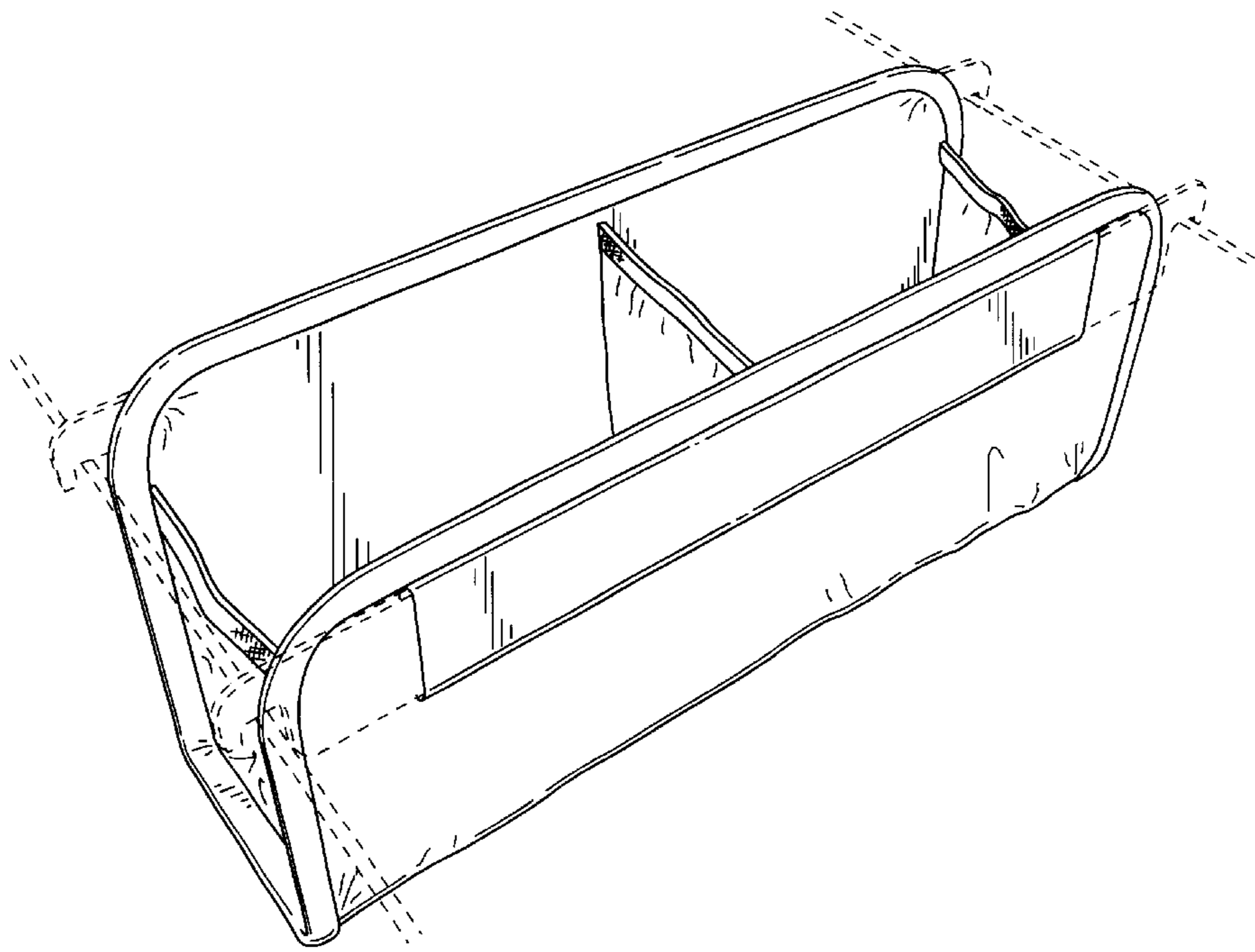
FIG. 4 is a left elevation view of the invention illustrated in FIG. 1;

FIG. 5 is a right elevation view of the invention illustrated in FIG. 1;

FIG. 6 is a top plan view of the invention illustrated in FIG. 1; and,

FIG. 7 is a rear plan view of the invention illustrated in FIG. 1.

1 Claim, 4 Drawing Sheets



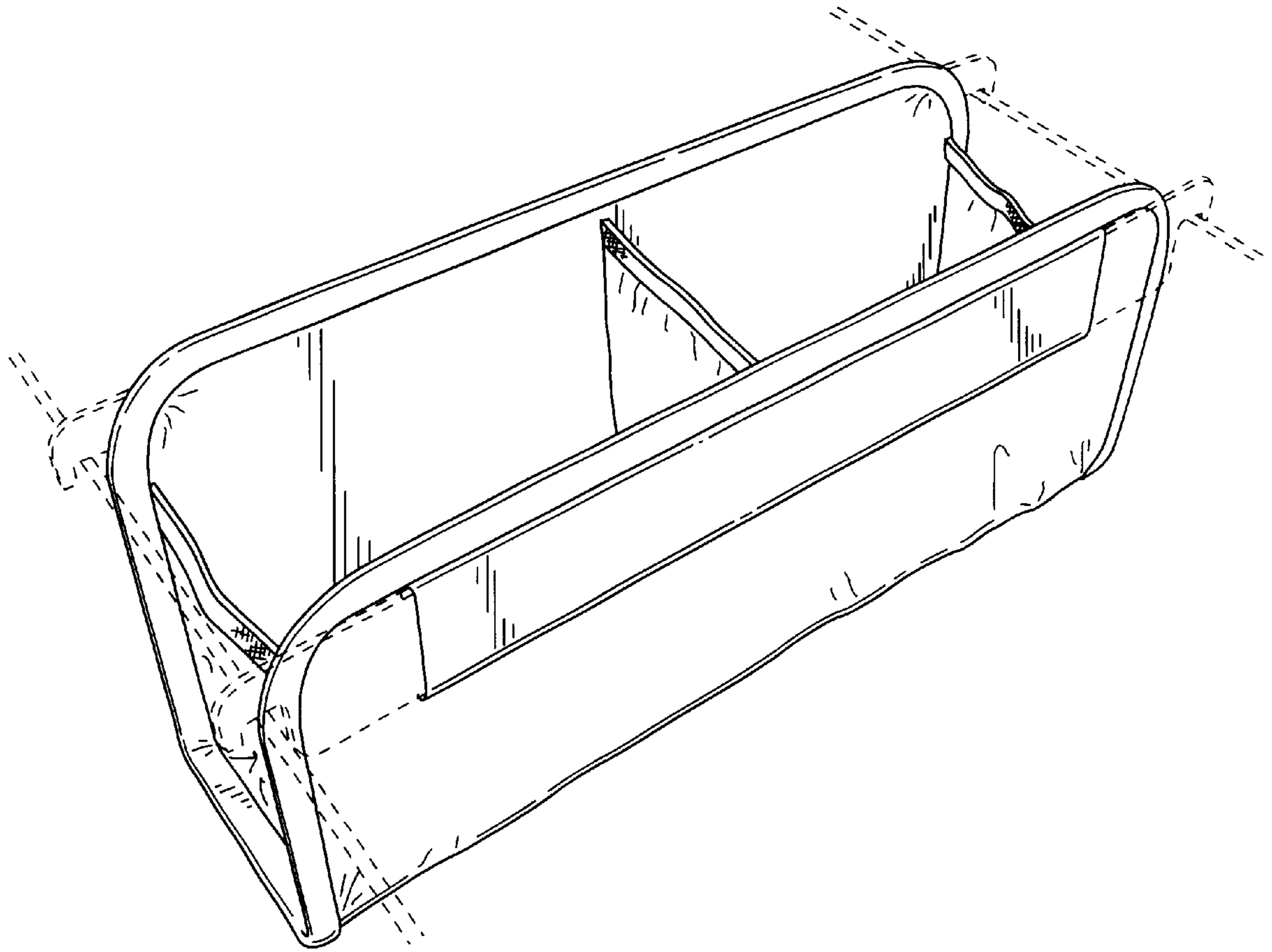


FIG.1

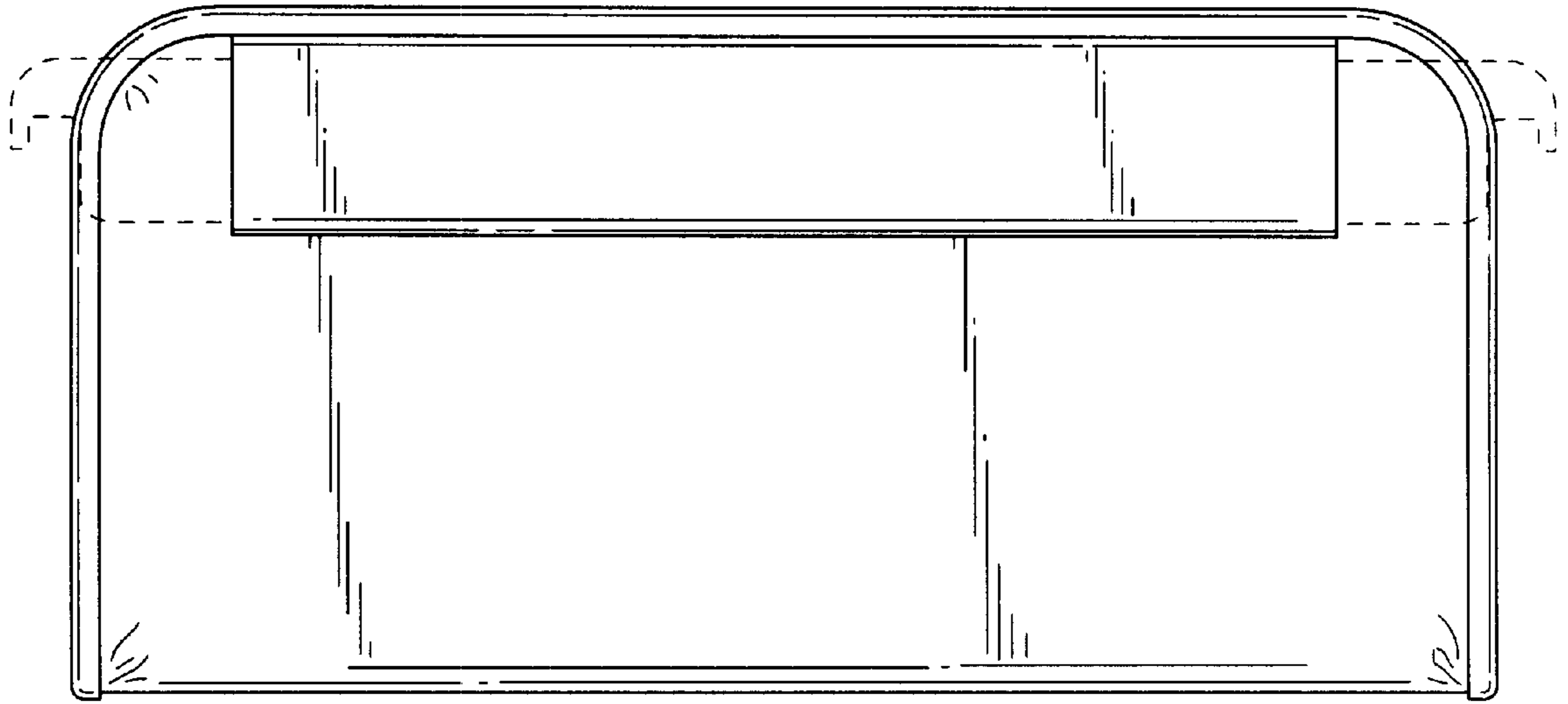


FIG. 2

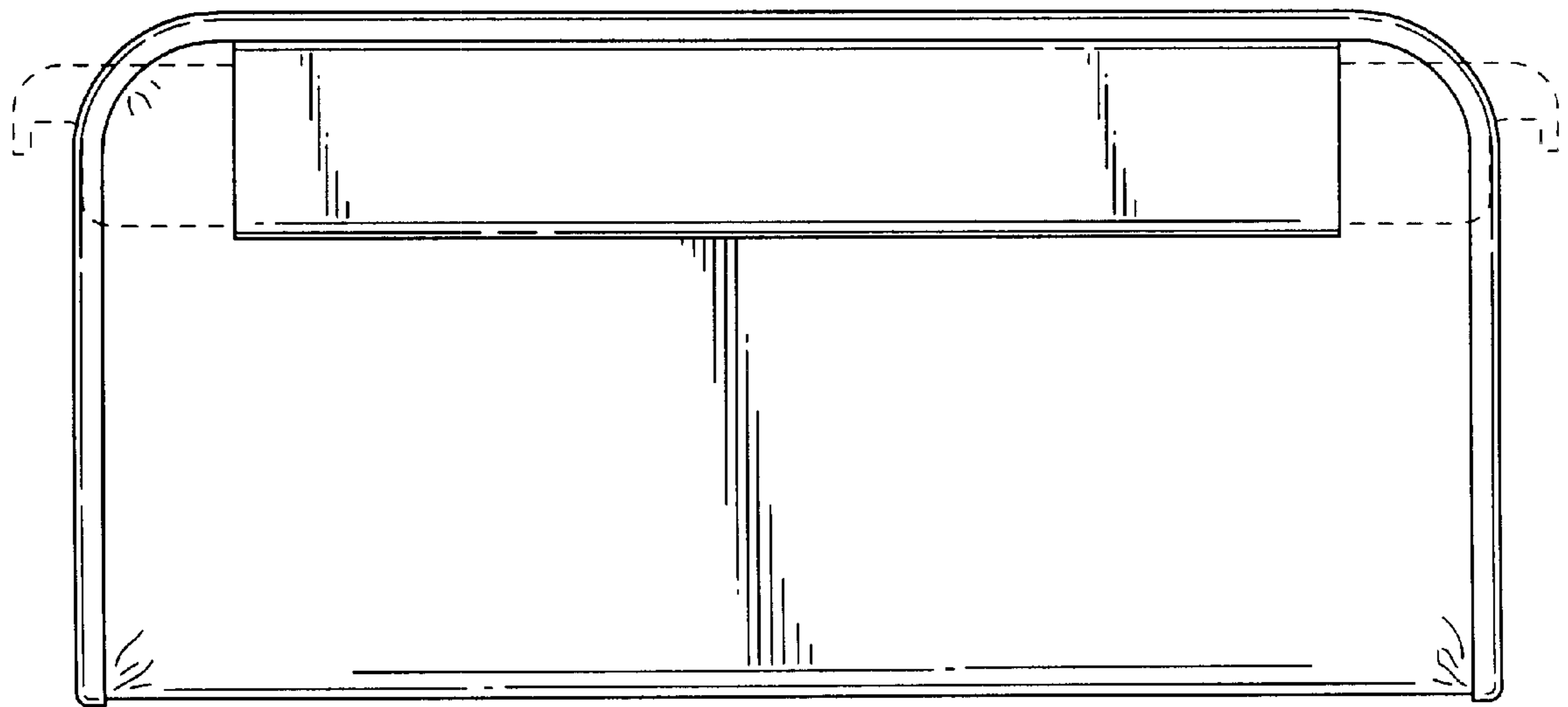


FIG. 3

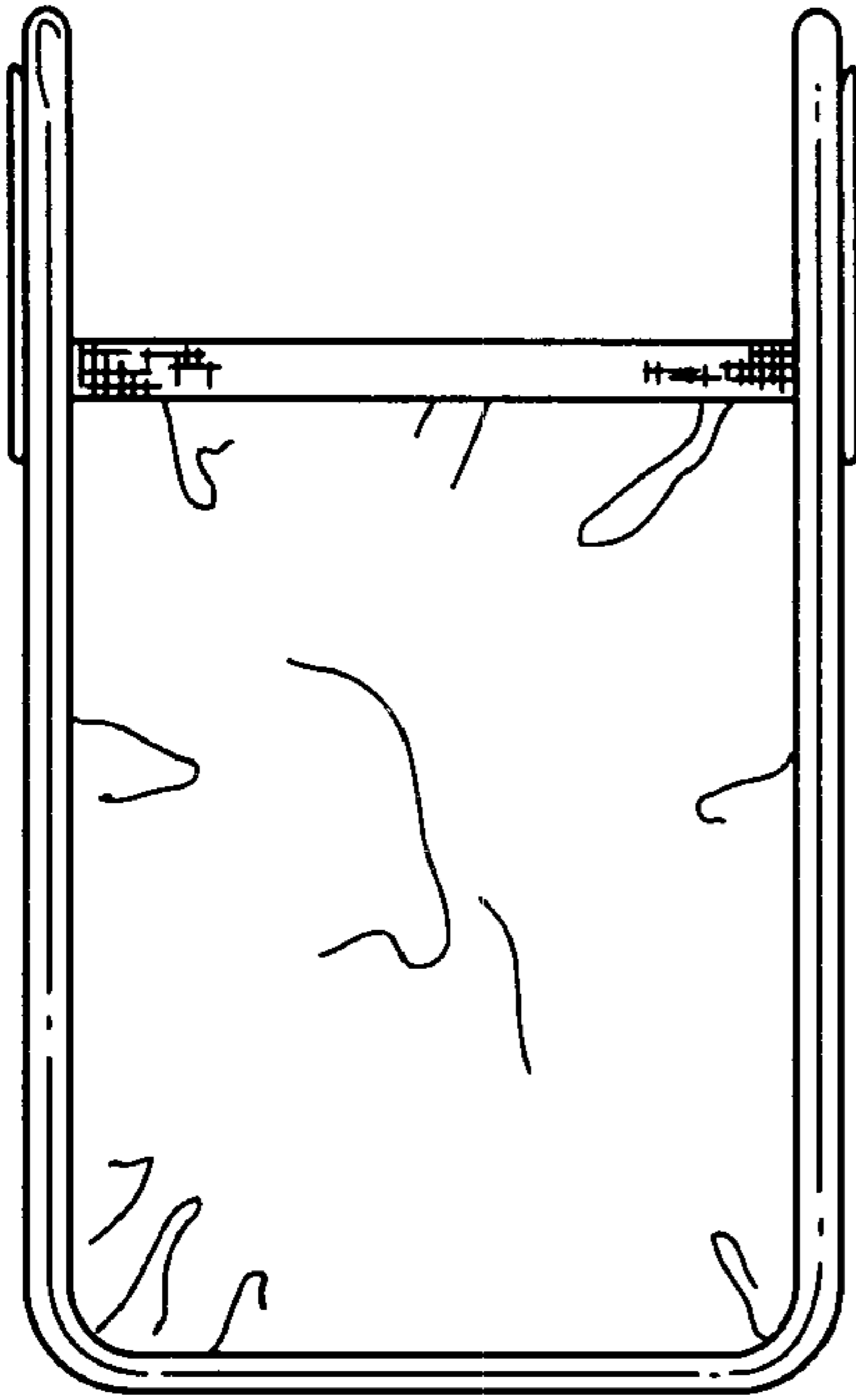


FIG. 4

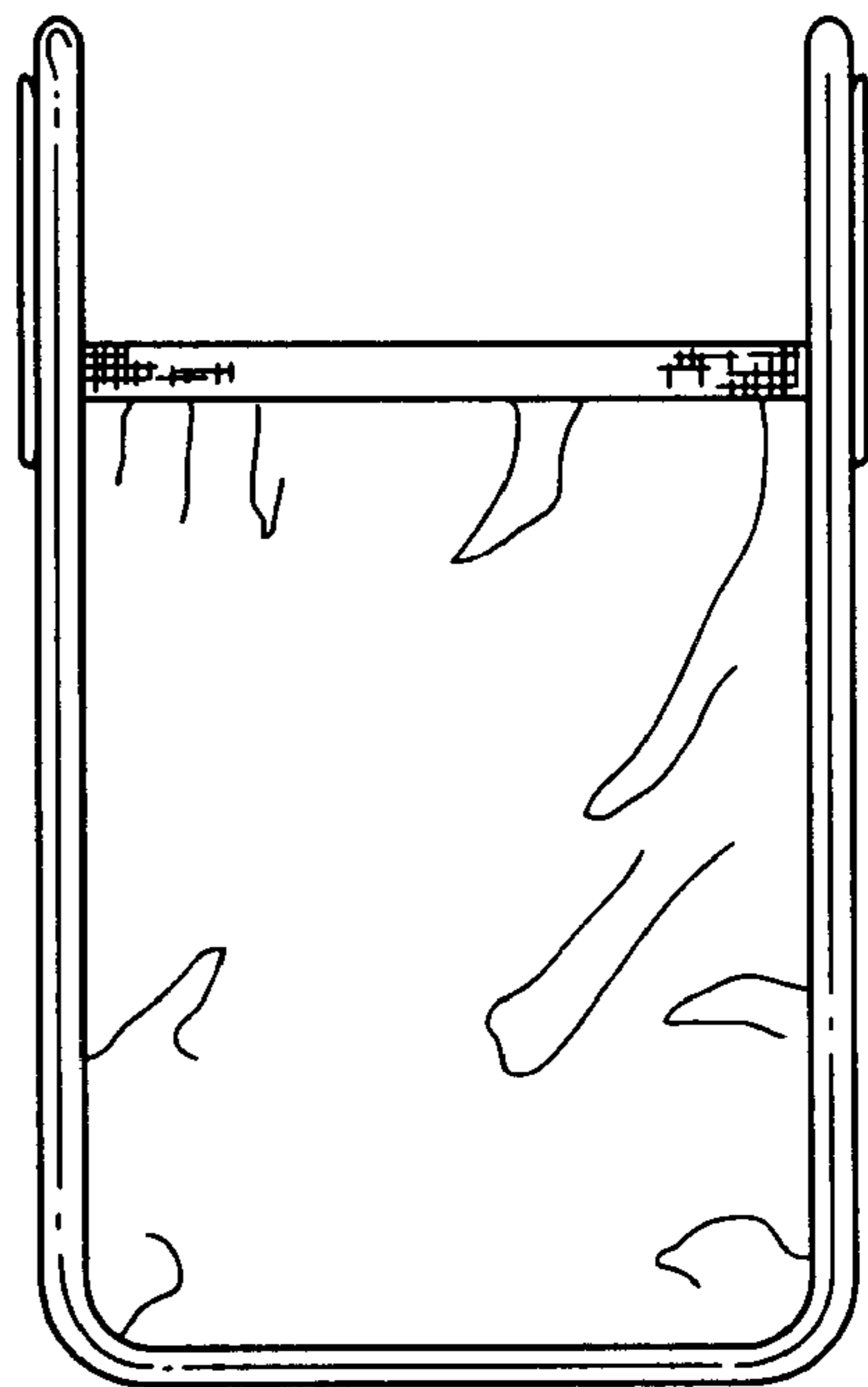


FIG. 5

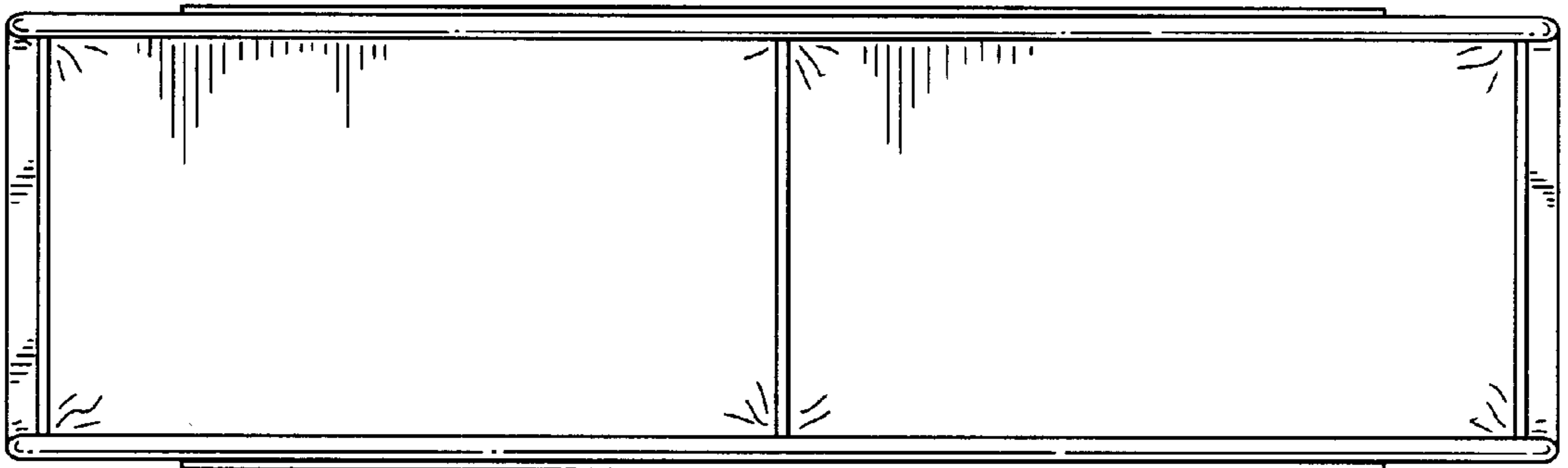


FIG. 6

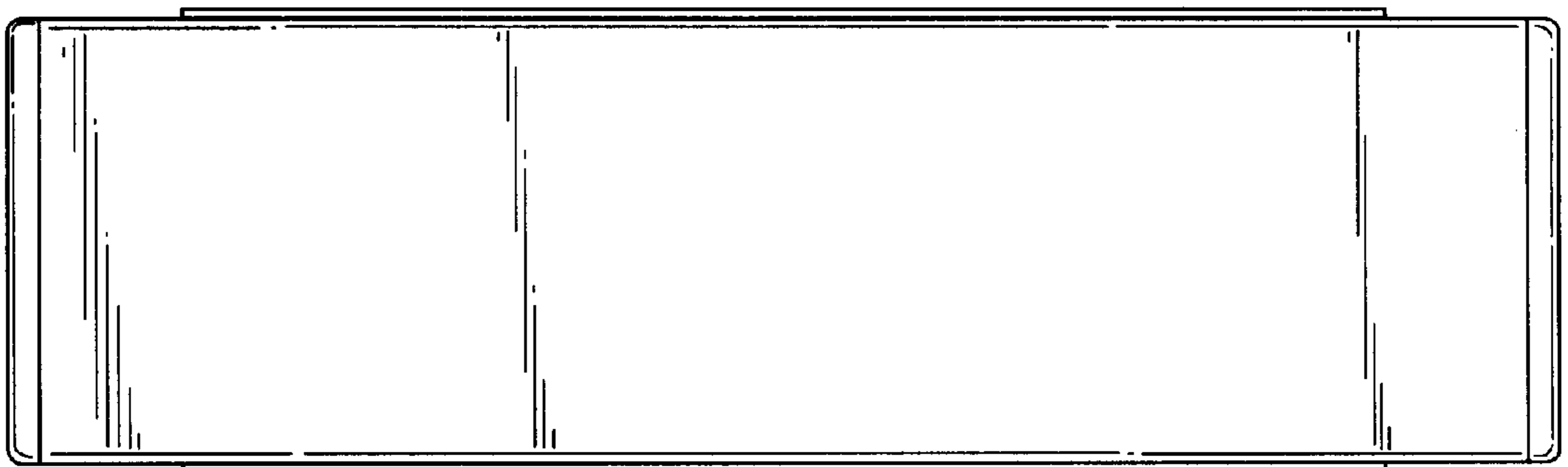


FIG. 7