



US00D470181S

(12) **United States Design Patent**
Jour

(10) **Patent No.:** **US D470,181 S**

(45) **Date of Patent:** **** Feb. 11, 2003**

(54) **DISPENSER FOR PLURAL ADHESIVE TAPES**

(75) **Inventor:** **David Jour, Taipei (TW)**

(73) **Assignee:** **Kudos Finder Trading Co., Ltd., Taipei (TW)**

(**) **Term:** **14 Years**

(21) **Appl. No.:** **29/159,584**

(22) **Filed:** **Apr. 25, 2002**

(51) **LOC (7) Cl.** **19-02**

(52) **U.S. Cl.** **D19/69; D19/67**

(58) **Field of Search** **D6/518; D19/65, D19/67, 68, 69, 89, 99, 100; 225/6, 7, 19, 24, 25, 34, 35, 36-38, 45, 56, 65, 77; 242/596.3, 596.4, 596.7, 596.8, 599.2, 594.1-594.6; 221/33, 41, 43**

(56) **References Cited**

U.S. PATENT DOCUMENTS

- 2,941,707 A * 6/1960 Beard 225/37
- 3,635,383 A * 1/1972 Waltz 225/37
- 3,768,713 A * 10/1973 Lash 225/34

- 4,252,258 A * 2/1981 Plummer, III 225/25
- D270,648 S * 9/1983 Mayo D19/67
- 4,419,175 A * 12/1983 Bradshaw et al. 156/554
- D273,644 S * 5/1984 Colavito et al. D6/518
- D372,050 S * 7/1996 Ho D19/89
- 5,718,365 A * 2/1998 Palmer 225/38
- D454,369 S * 3/2002 Milliorn D19/69

* cited by examiner

Primary Examiner—Martie K. Holtje

(74) *Attorney, Agent, or Firm*—Bacon & Thomas, PLLC

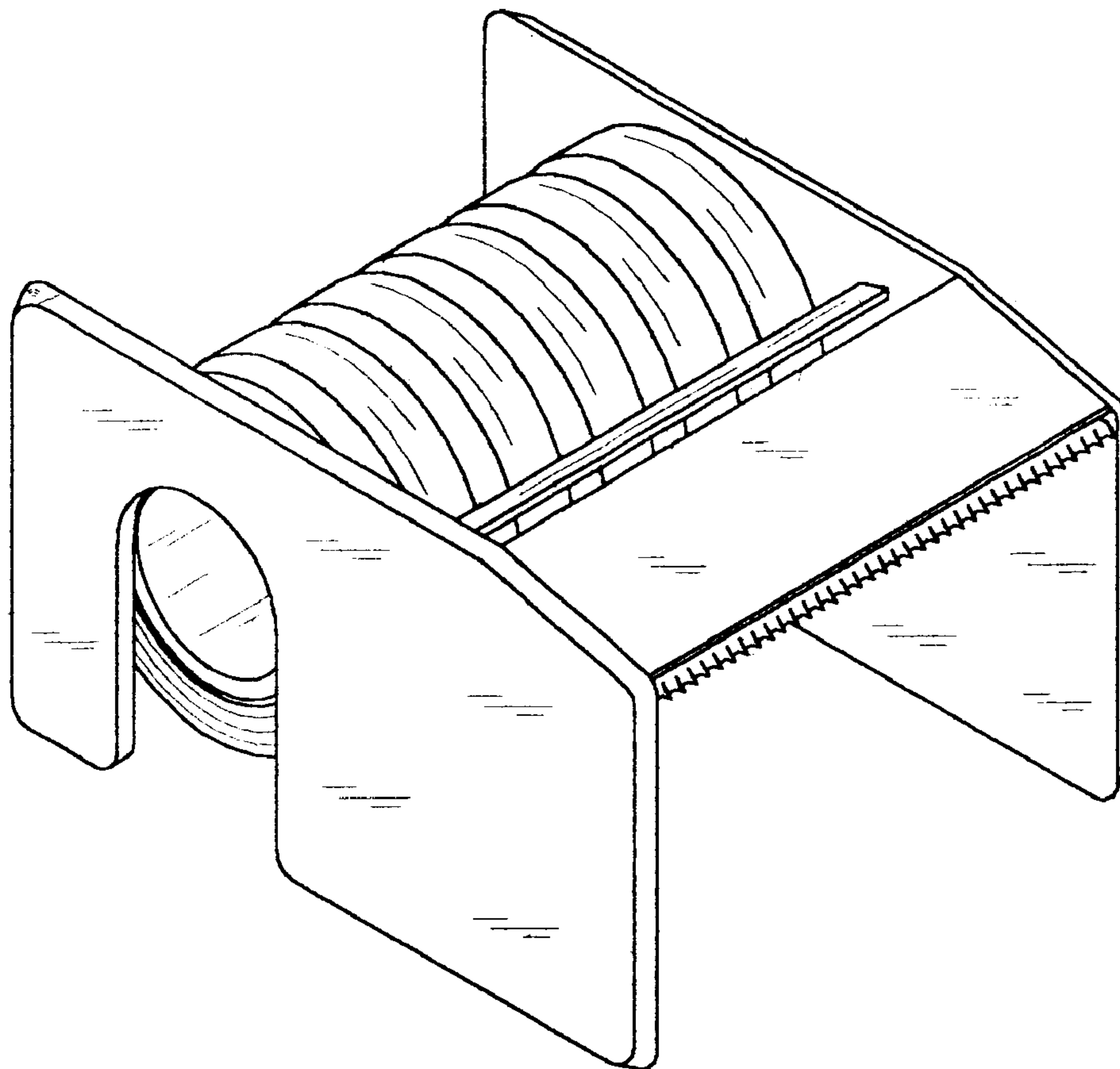
(57) **CLAIM**

The ornamental design for a dispenser for plural adhesive tapes, as shown and described.

DESCRIPTION

FIG. 1 is a front elevational view of a dispenser for plural adhesive tapes showing my new design;
 FIG. 2 is a rear elevational view;
 FIG. 3 is a left side elevational view;
 FIG. 4 is a right side elevational view;
 FIG. 5 is a top plan view;
 FIG. 6 is a bottom plan view; and,
 FIG. 7 is a top, left front perspective view thereof.

1 Claim, 4 Drawing Sheets



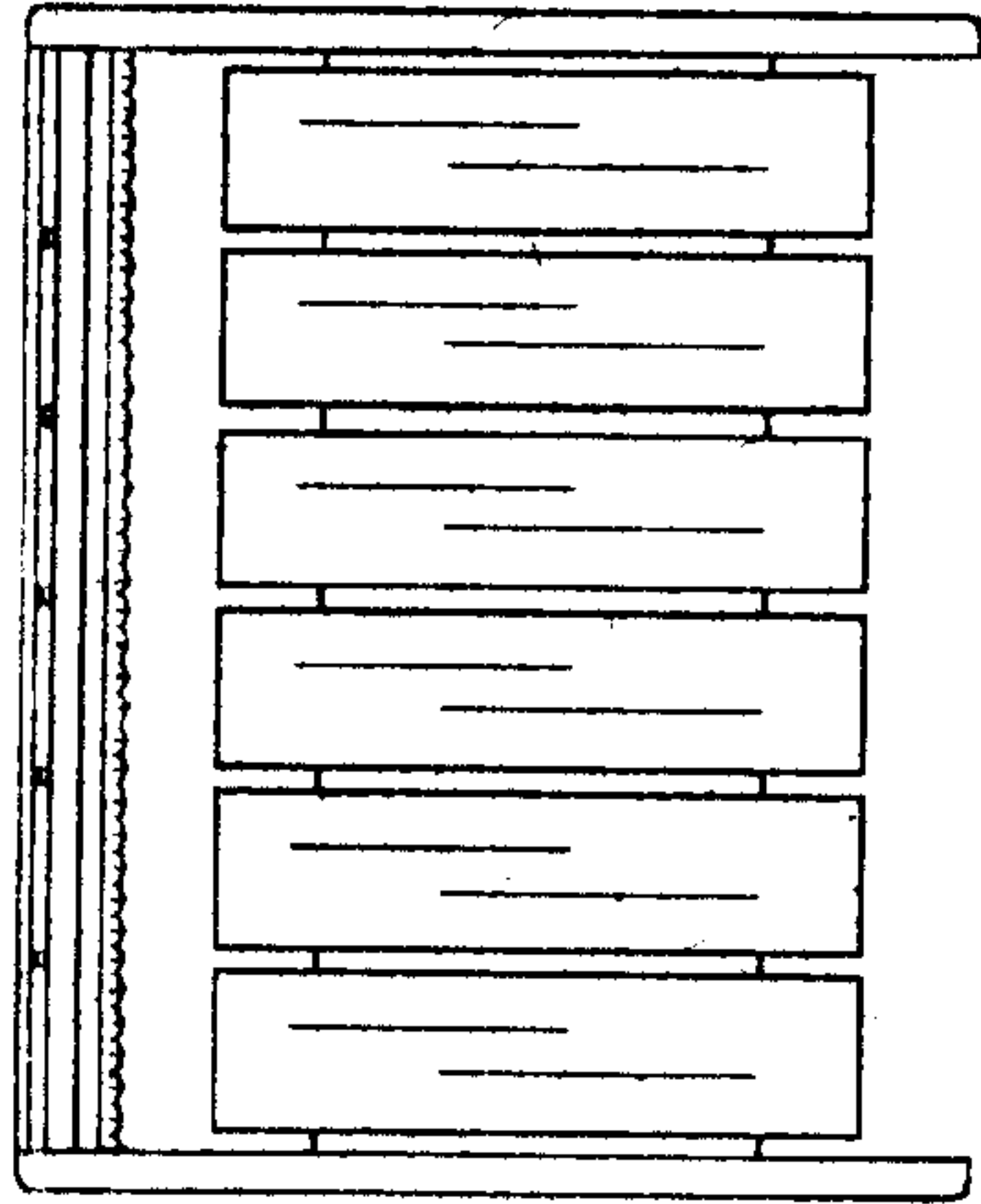


FIG 1

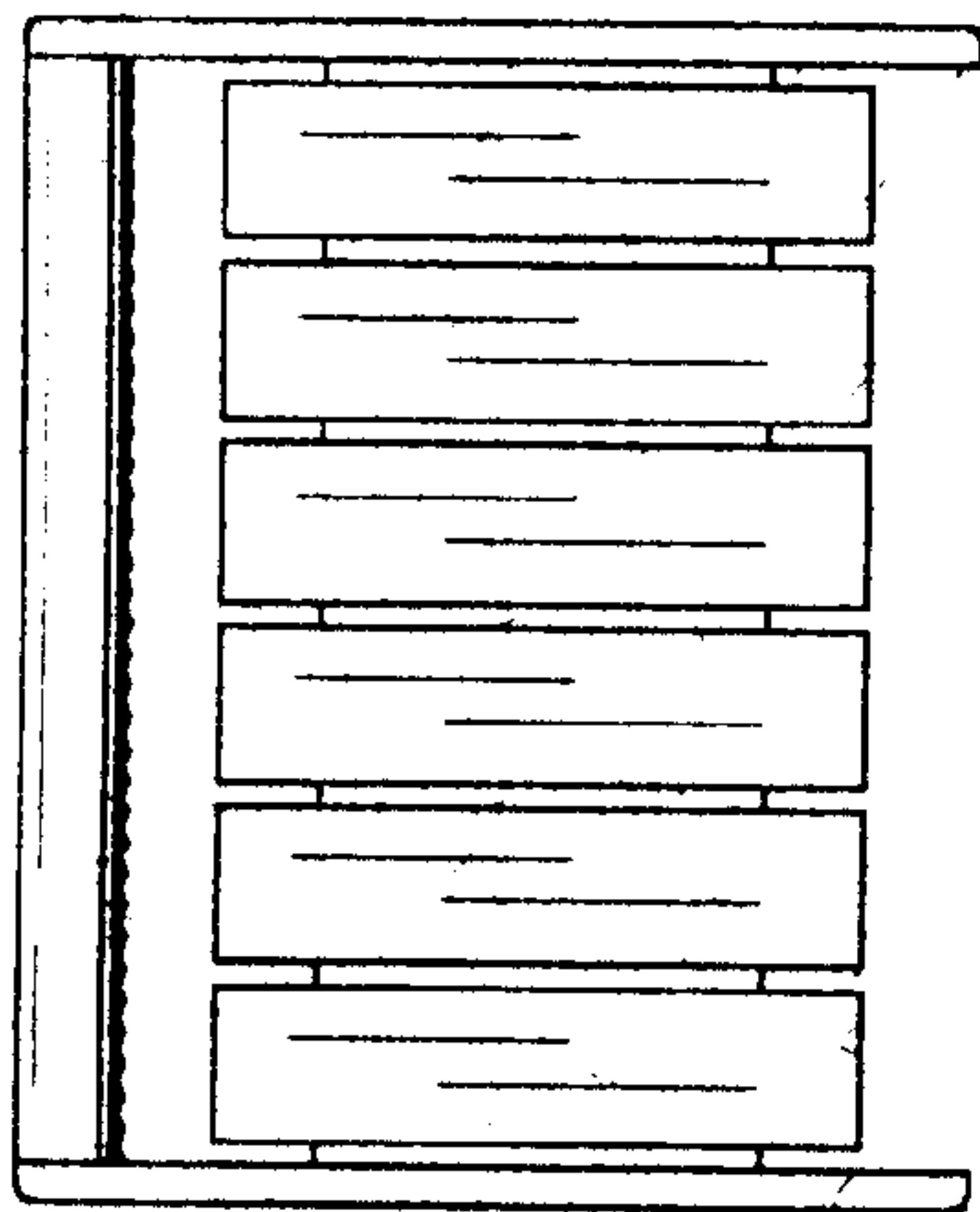


FIG 2

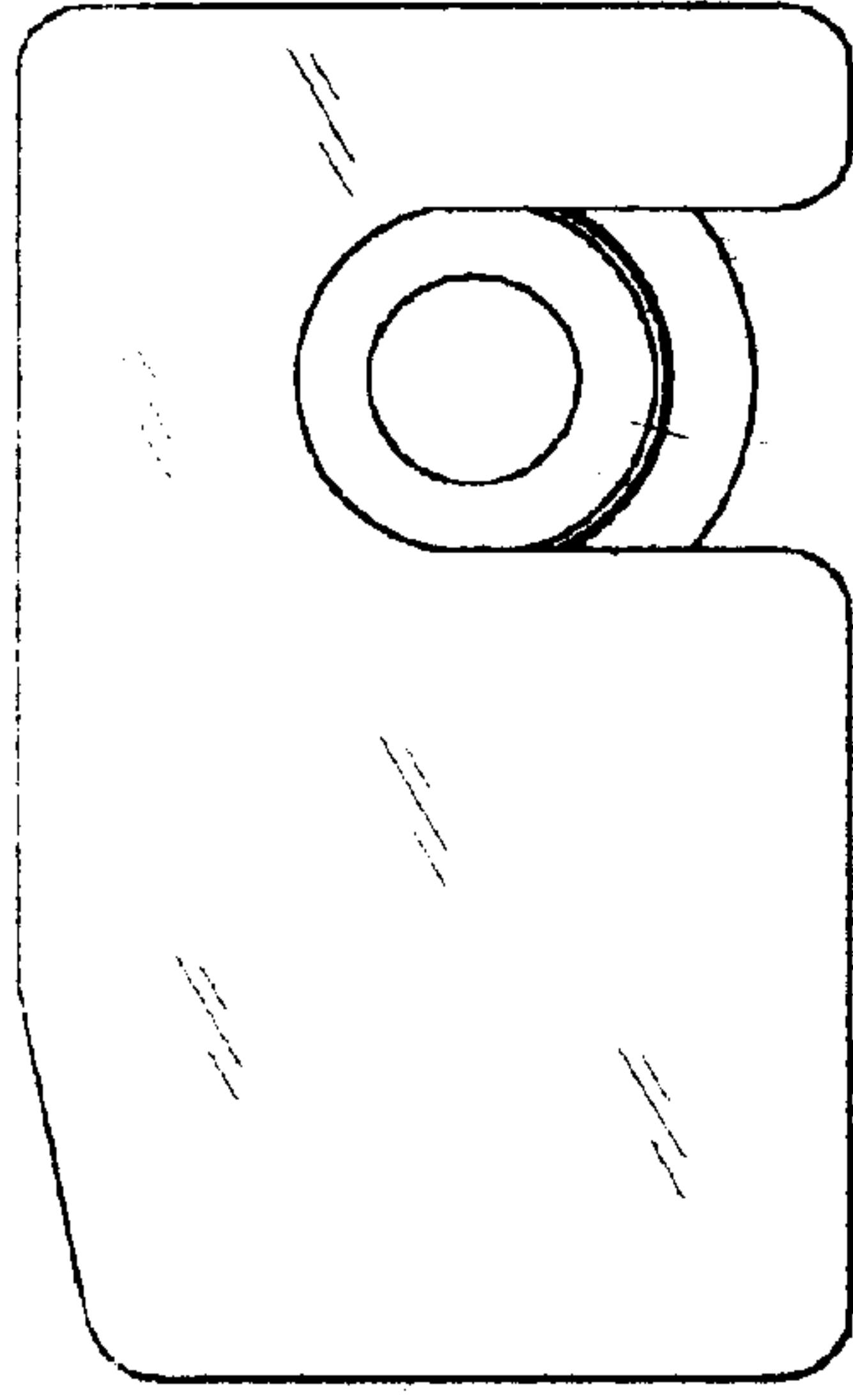


FIG 4

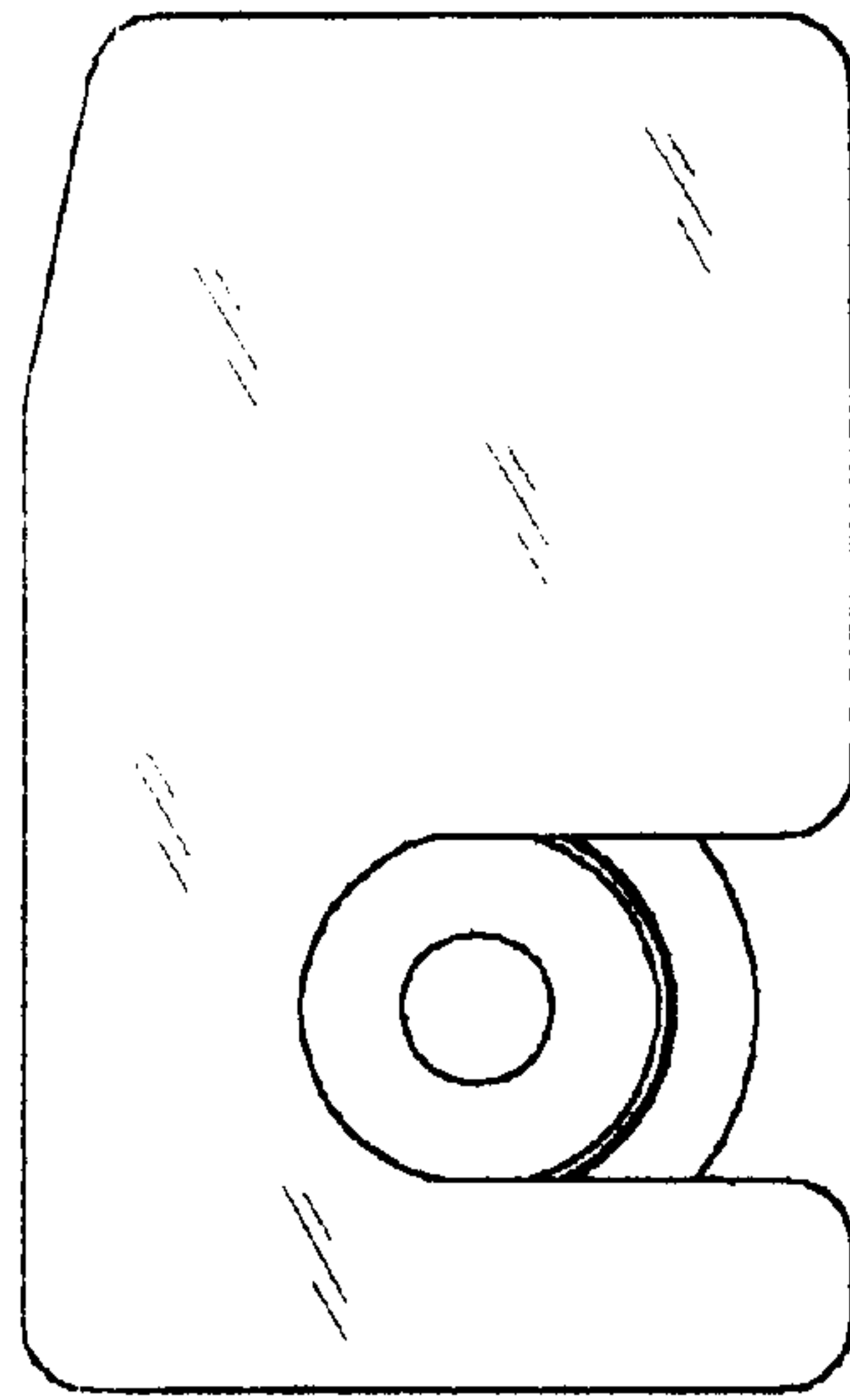


FIG 3

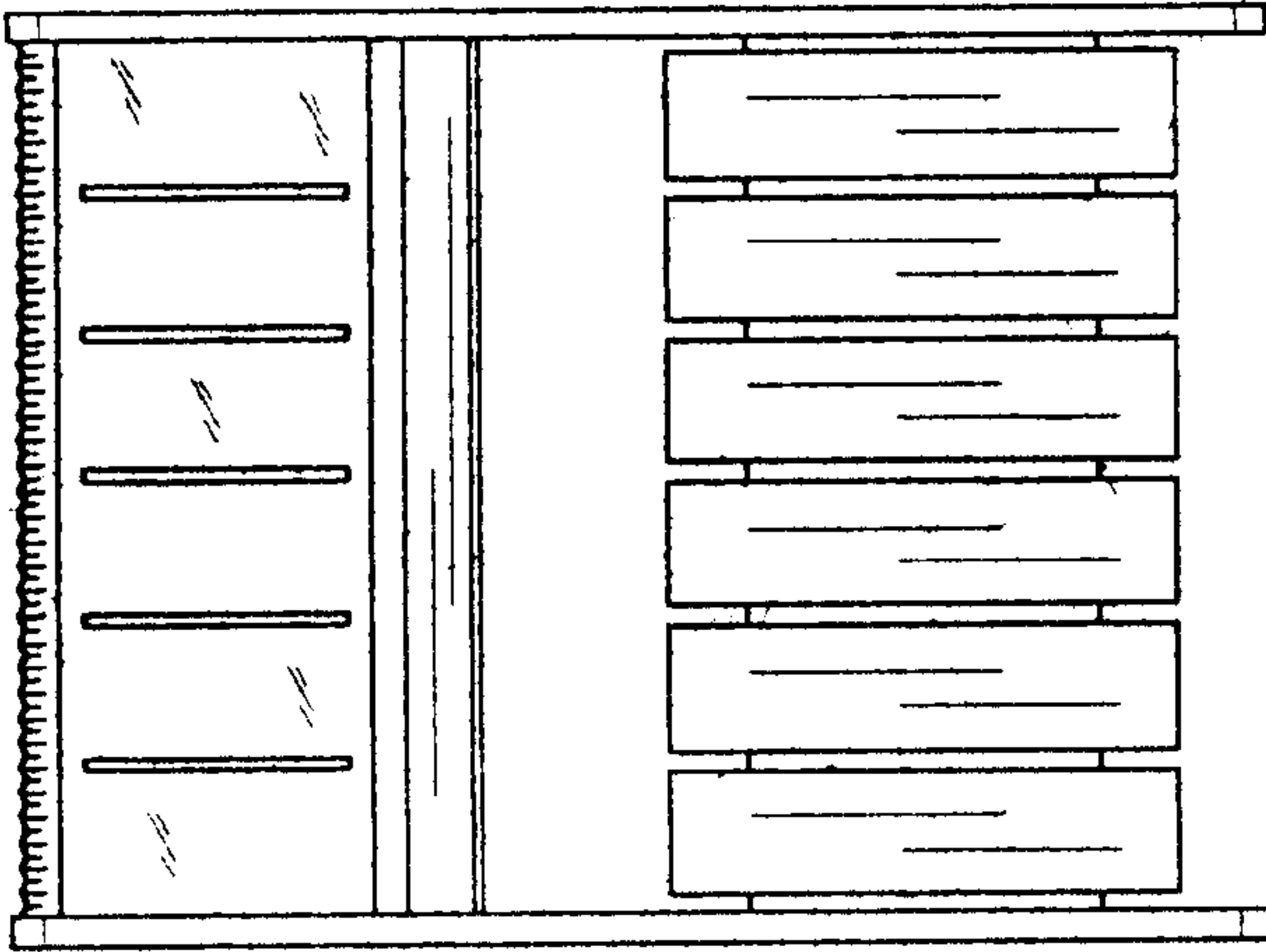


FIG 6

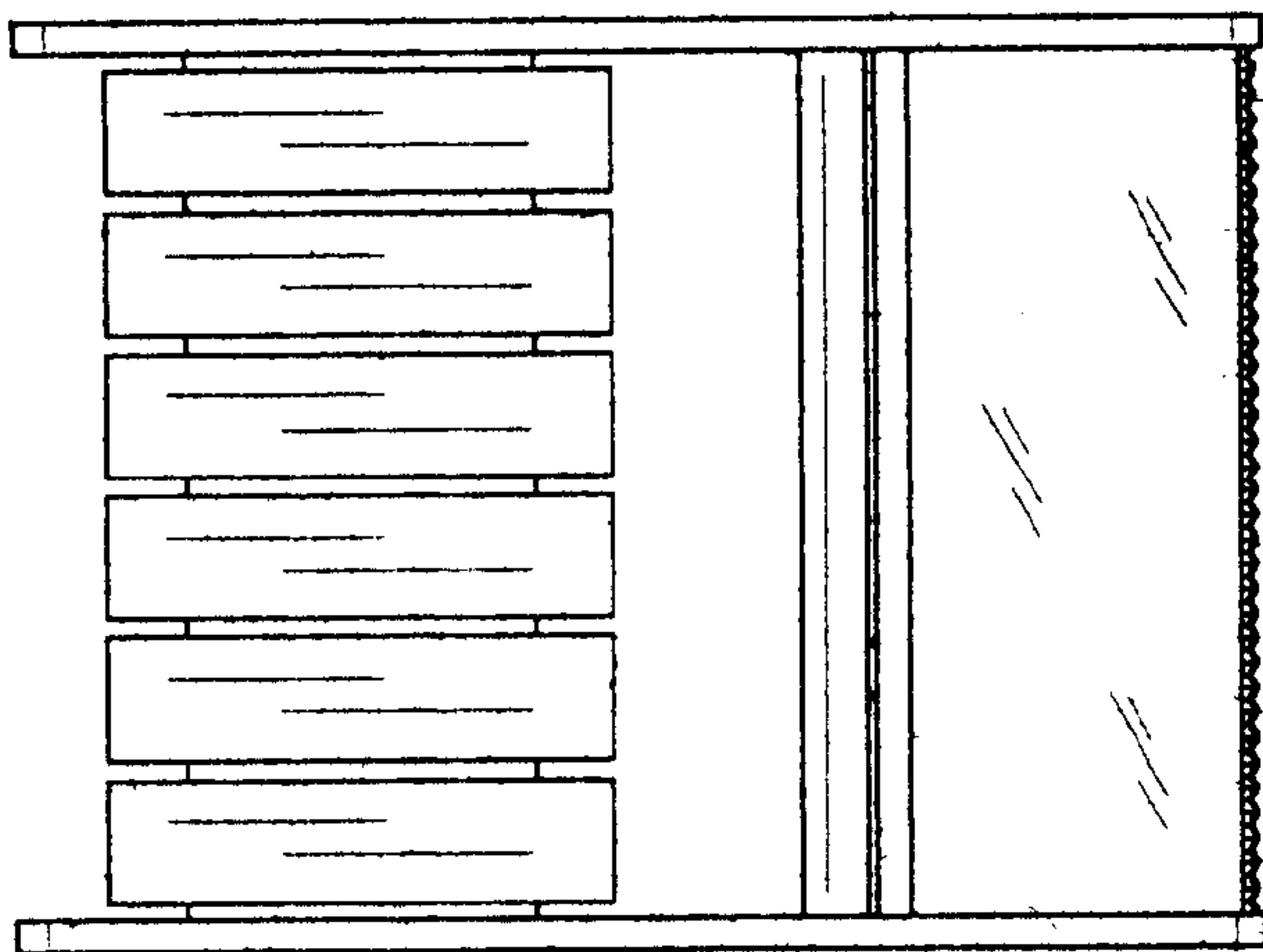


FIG 5

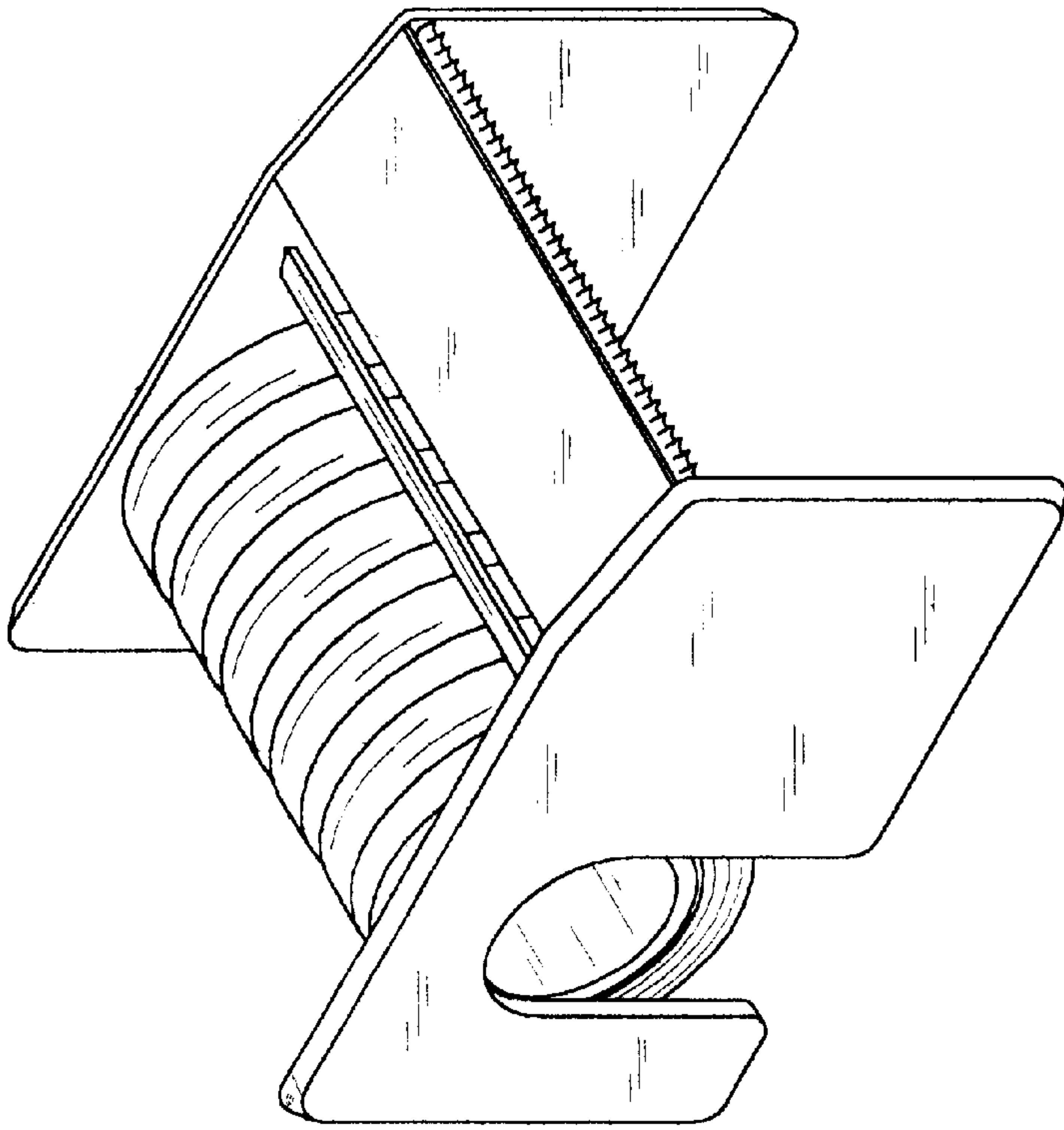


FIG 7