



US00D470179S

(12) **United States Design Patent**  
**Shamitoff**

(10) **Patent No.:** **US D470,179 S**

(45) **Date of Patent:** **\*\* Feb. 11, 2003**

(54) **COASTER WRITING INSTRUMENT**

D302,985 S \* 8/1989 Vinck ..... D19/41  
D344,759 S \* 3/1994 Monzyk ..... D19/46

(76) Inventor: **Joel B. Shamitoff**, 141 Redhawk Ct.,  
Brisbane, CA (US) 94005

**FOREIGN PATENT DOCUMENTS**

(\*\*) Term: **14 Years**

DE 3342982 \* 5/1985

**OTHER PUBLICATIONS**

(21) Appl. No.: **29/115,745**

Miller High Life Trademark, first use in commerce, Feb. 16,  
1998.\*

(22) Filed: **Dec. 20, 1999**

\* cited by examiner

**Related U.S. Application Data**

(63) Continuation of application No. 09/434,828, filed on Nov. 5,  
1999, now Pat. No. 6,428,231.

*Primary Examiner*—Martie K. Holtje

(51) **LOC (7) Cl.** ..... **19-06**

(74) *Attorney, Agent, or Firm*—Fliesler Dubb Meyer &  
Lovejoy LLP

(52) **U.S. Cl.** ..... **D19/42; D19/46**

(57) **CLAIM**

(58) **Field of Search** ..... D19/35, 36, 41-51,  
D19/53-58, 81-85; 401/6, 7, 88, 99, 52,  
195, 209, 213

The ornamental design for a coaster writing instrument, as  
shown and described.

**DESCRIPTION**

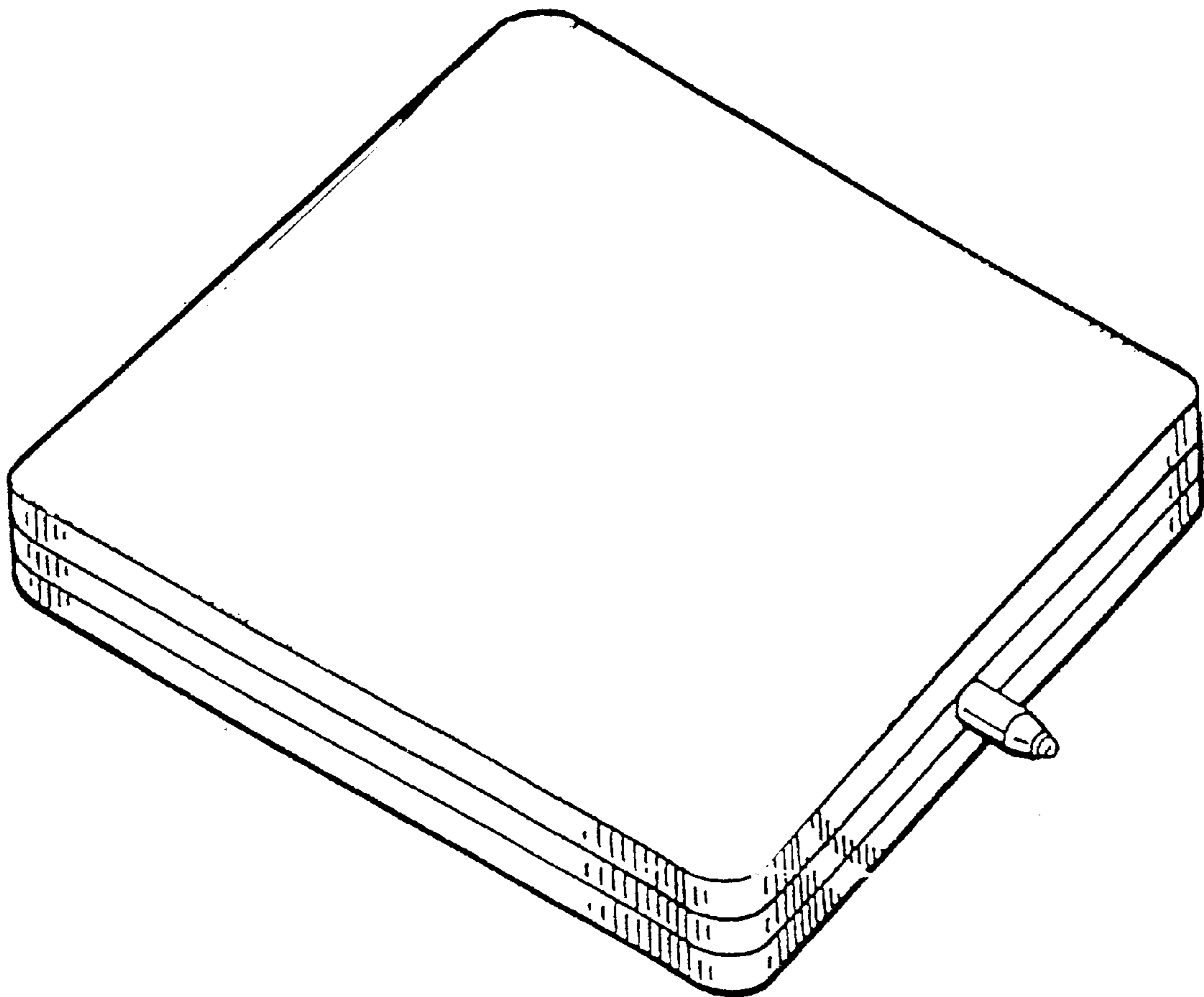
(56) **References Cited**

FIG. 1 is a perspective view of a coaster writing instrument  
showing my new design.

**U.S. PATENT DOCUMENTS**

3,168,072 A \* 2/1965 Nitta ..... 401/6

**1 Claim, 1 Drawing Sheet**



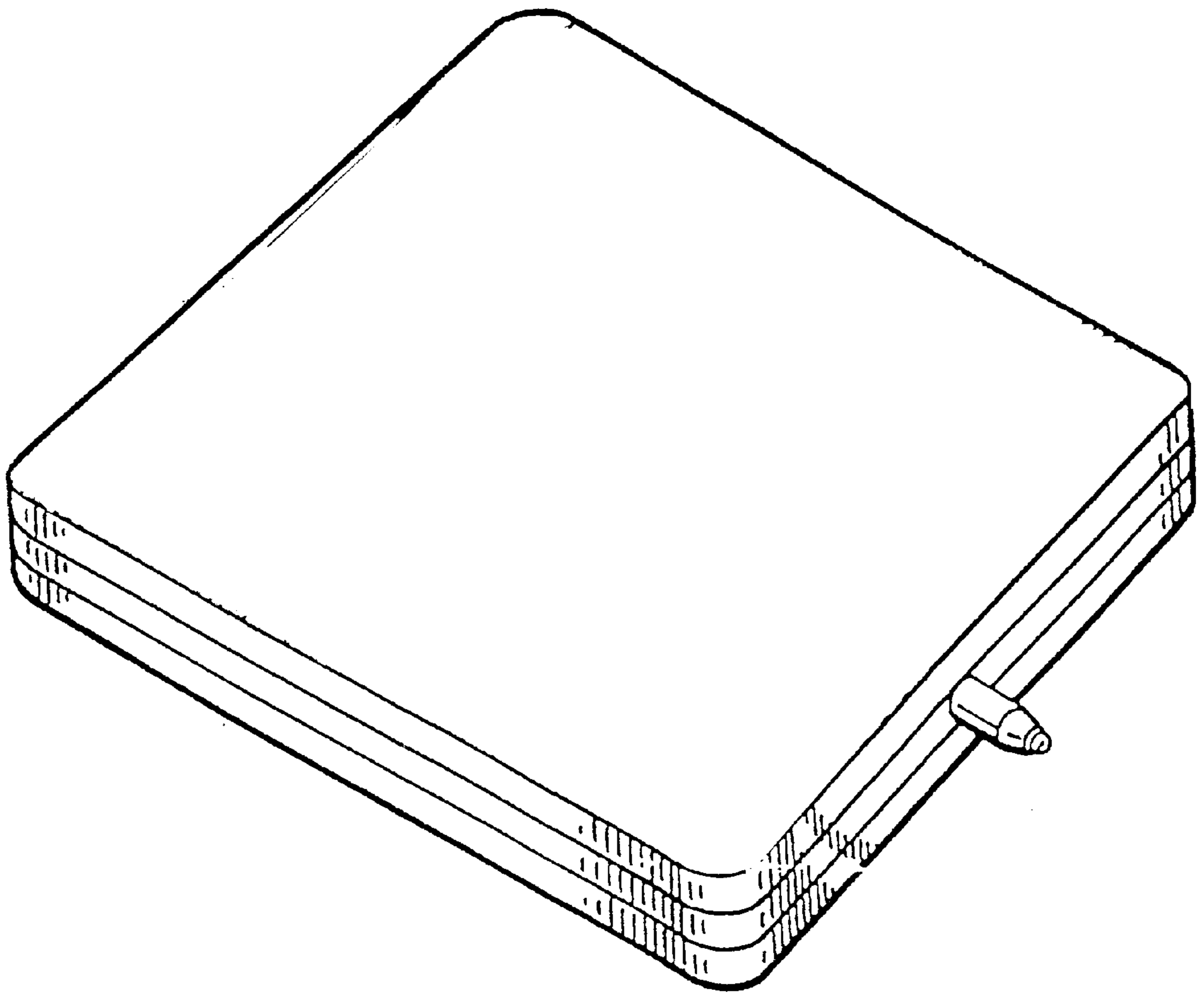


FIG. 1