



US00D470172S

(12) **United States Design Patent**  
**Tatara et al.**

(10) **Patent No.:** **US D470,172 S**

(45) **Date of Patent:** **\*\* Feb. 11, 2003**

(54) **PRINTER**

(75) Inventors: **Yoshihiro Tatara**, Nagano-ken (JP);  
**Katsumi Okuhara**, Nagano-ken (JP);  
**Kazuyoshi Iwama**, Nagano-ken (JP)

(73) Assignee: **Seiko Epson Corporation**, Tokyo (JP)

(\*\*) Term: **14 Years**

(21) Appl. No.: **29/150,202**

(22) Filed: **Nov. 13, 2001**

(30) **Foreign Application Priority Data**

May 14, 2001 (JP) ..... 2001-013661  
May 14, 2001 (JP) ..... 2001-013662

(51) **LOC (7) Cl.** ..... **14-02**

(52) **U.S. Cl.** ..... **D18/55**

(58) **Field of Search** ..... D18/50, 54-55,  
D18/54.1, 36-38; 400/613, 613.1-613.4,  
691-694, 690.1-690.4

(56) **References Cited**

**U.S. PATENT DOCUMENTS**

D424,609 S \* 5/2000 Inoue et al. .... D18/54  
D439,274 S \* 3/2001 Dwyer et al. .... D18/55

D449,334 S \* 10/2001 Dwyer et al. .... D18/55  
D450,754 S \* 11/2001 Tatara et al. .... D18/50  
D452,706 S \* 1/2002 Senshiki ..... D18/55  
D460,478 S \* 7/2002 Bishop et al. .... D18/55

**FOREIGN PATENT DOCUMENTS**

JP 1130821 1/2002

\* cited by examiner

*Primary Examiner*—Cathy Anne MacCormac

(74) *Attorney, Agent, or Firm*—Sughrue Mion, PLLC

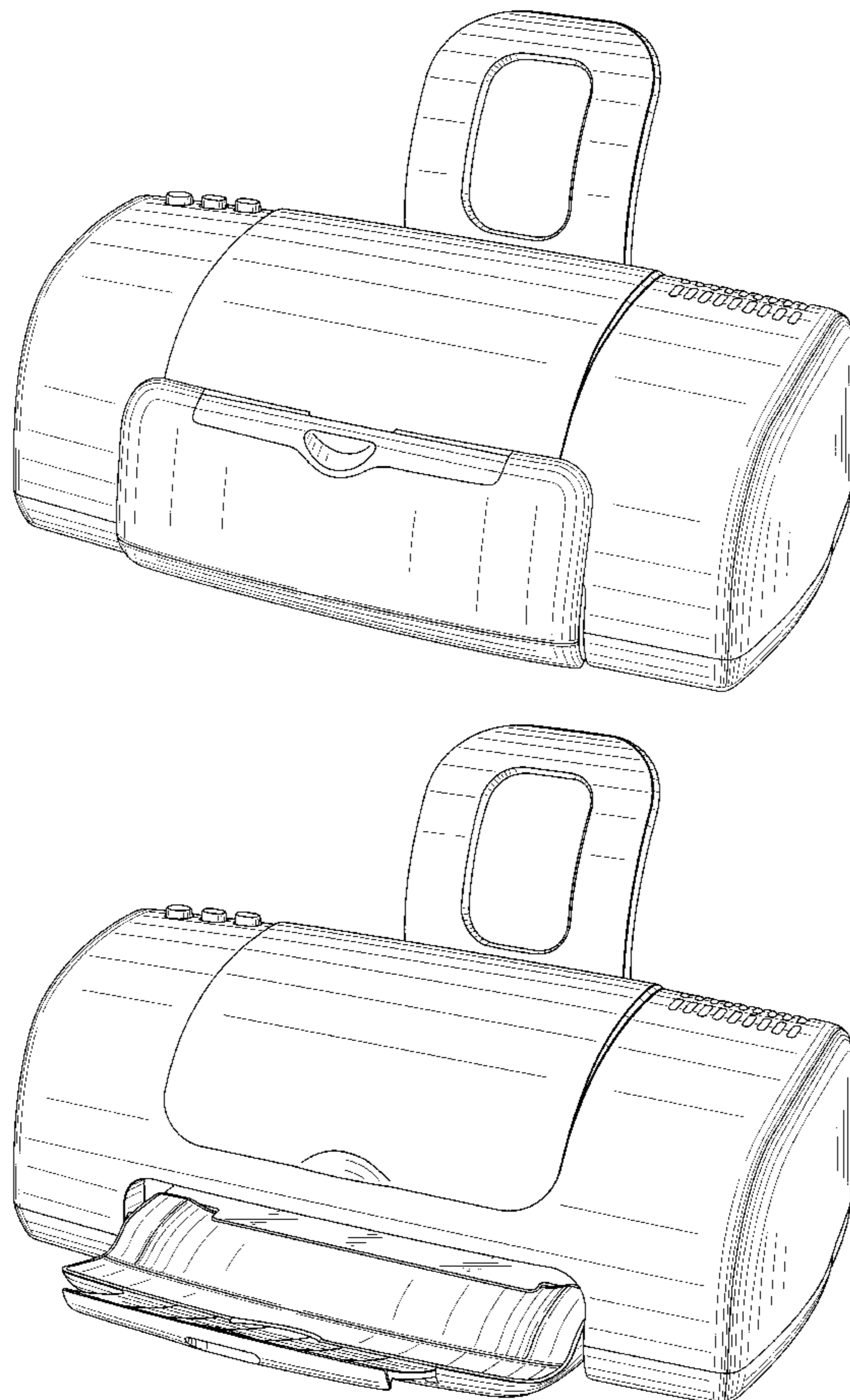
(57) **CLAIM**

The ornamental design for a printer, as shown and described.

**DESCRIPTION**

FIG. 1 is a perspective view of the top, front and right side of a printer showing our new design;  
FIG. 2 is a front elevational view thereof;  
FIG. 3 is a rear elevational view thereof;  
FIG. 4 is a right side elevational view thereof;  
FIG. 5 is a left side elevational view thereof;  
FIG. 6 is a top plan view thereof;  
FIG. 7 is a bottom plan view thereof; and,  
FIG. 8 is another perspective view showing the outlet tray in the open position.

**1 Claim, 7 Drawing Sheets**



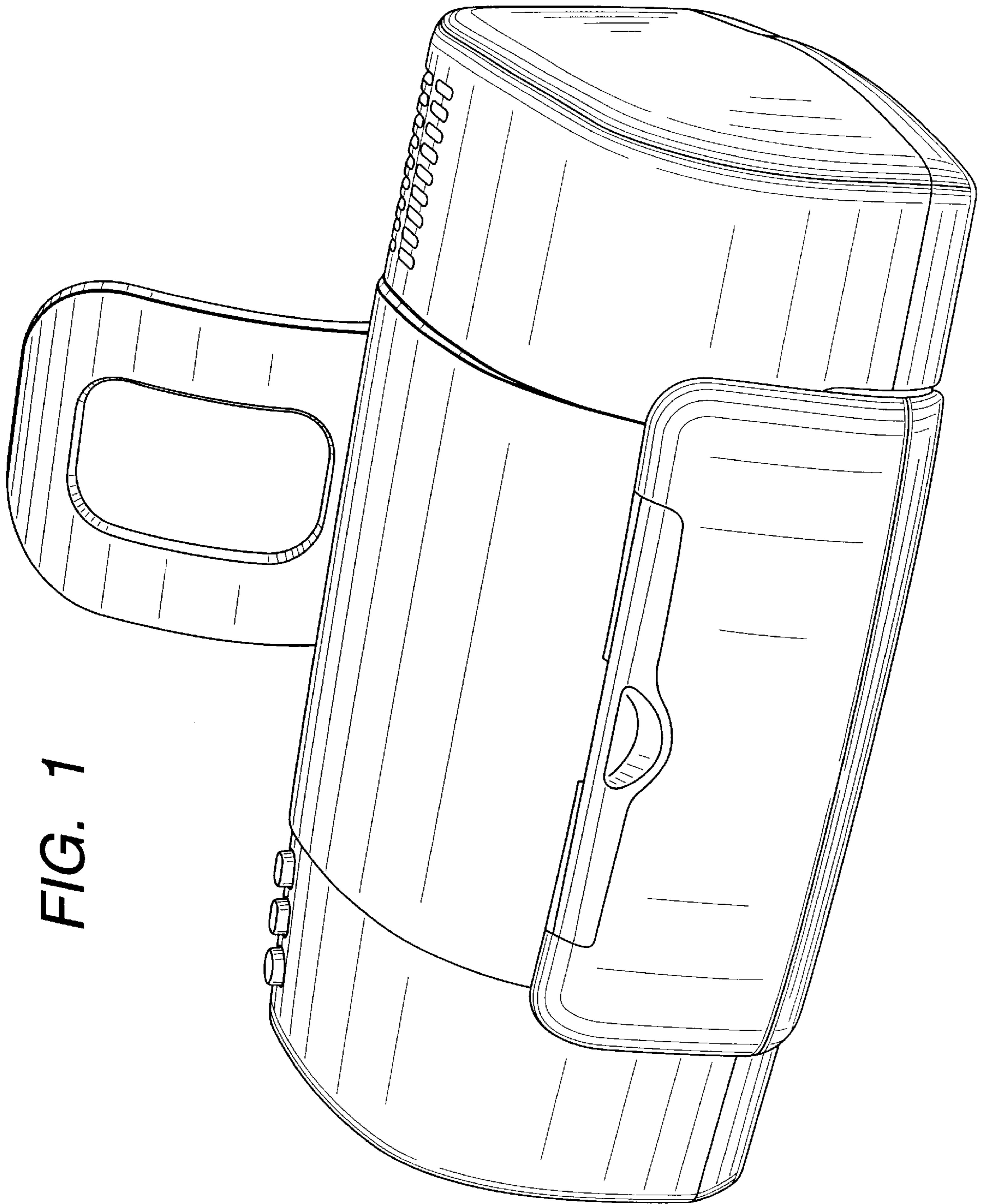


FIG. 1

FIG. 2

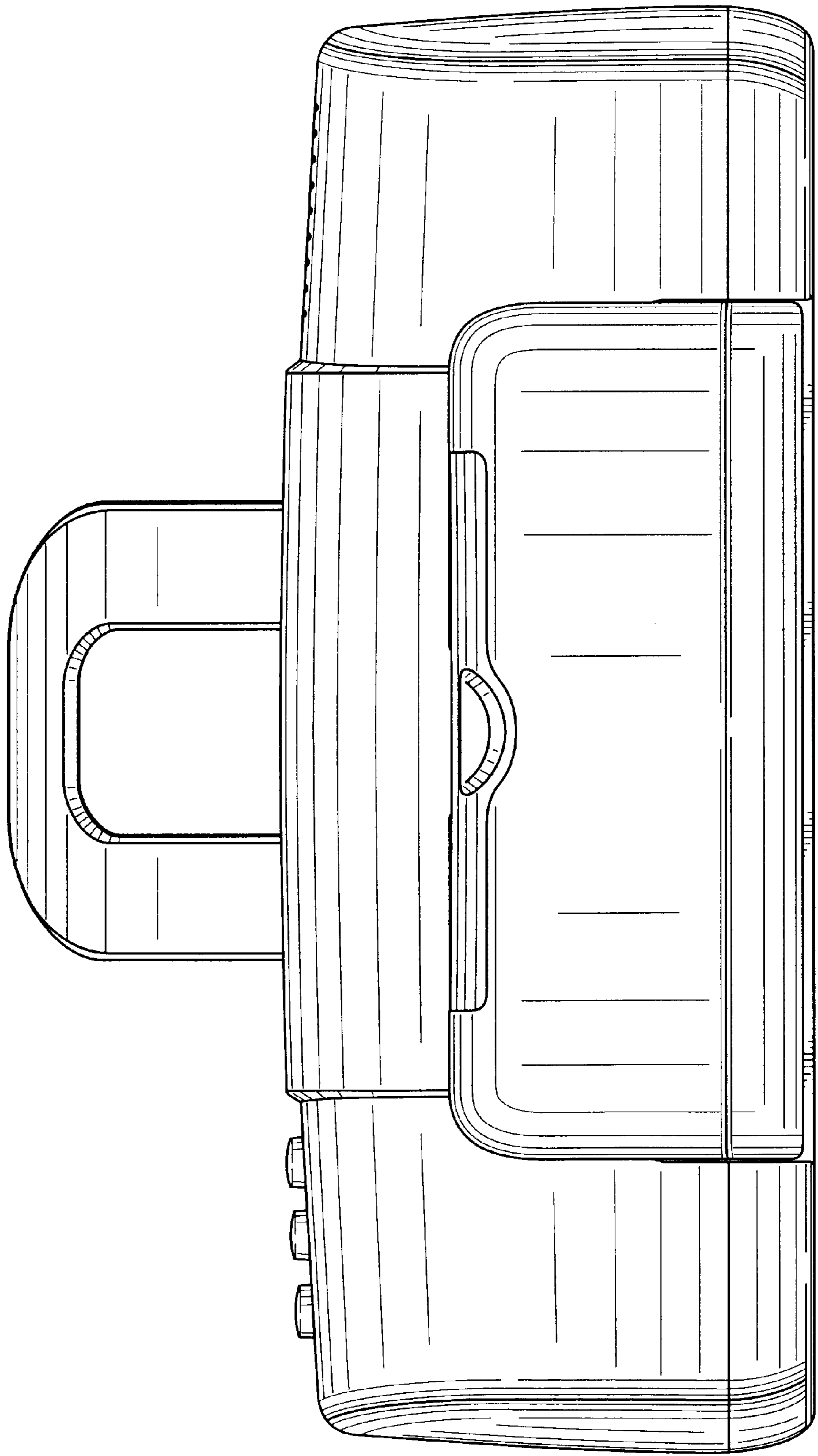
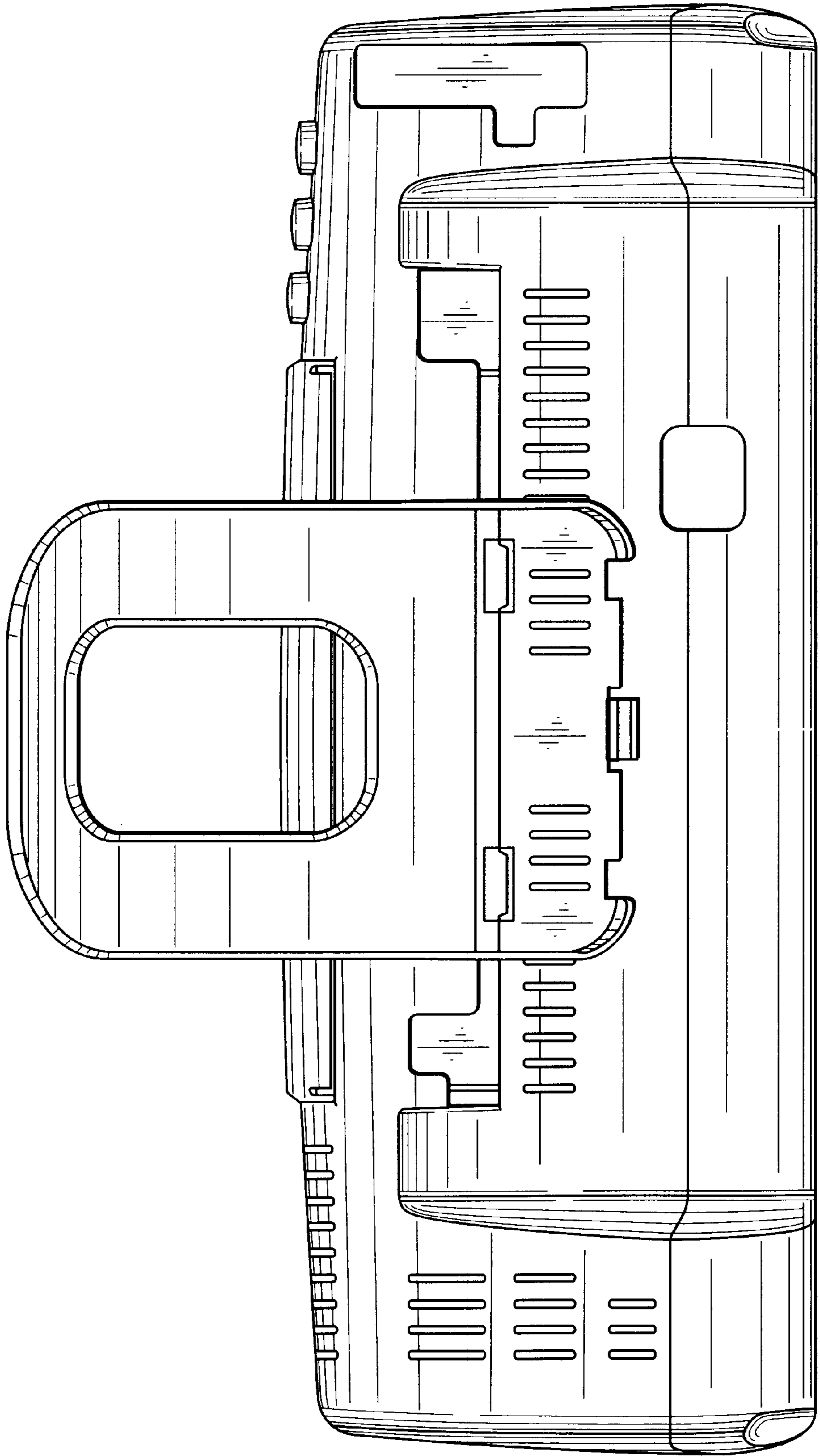
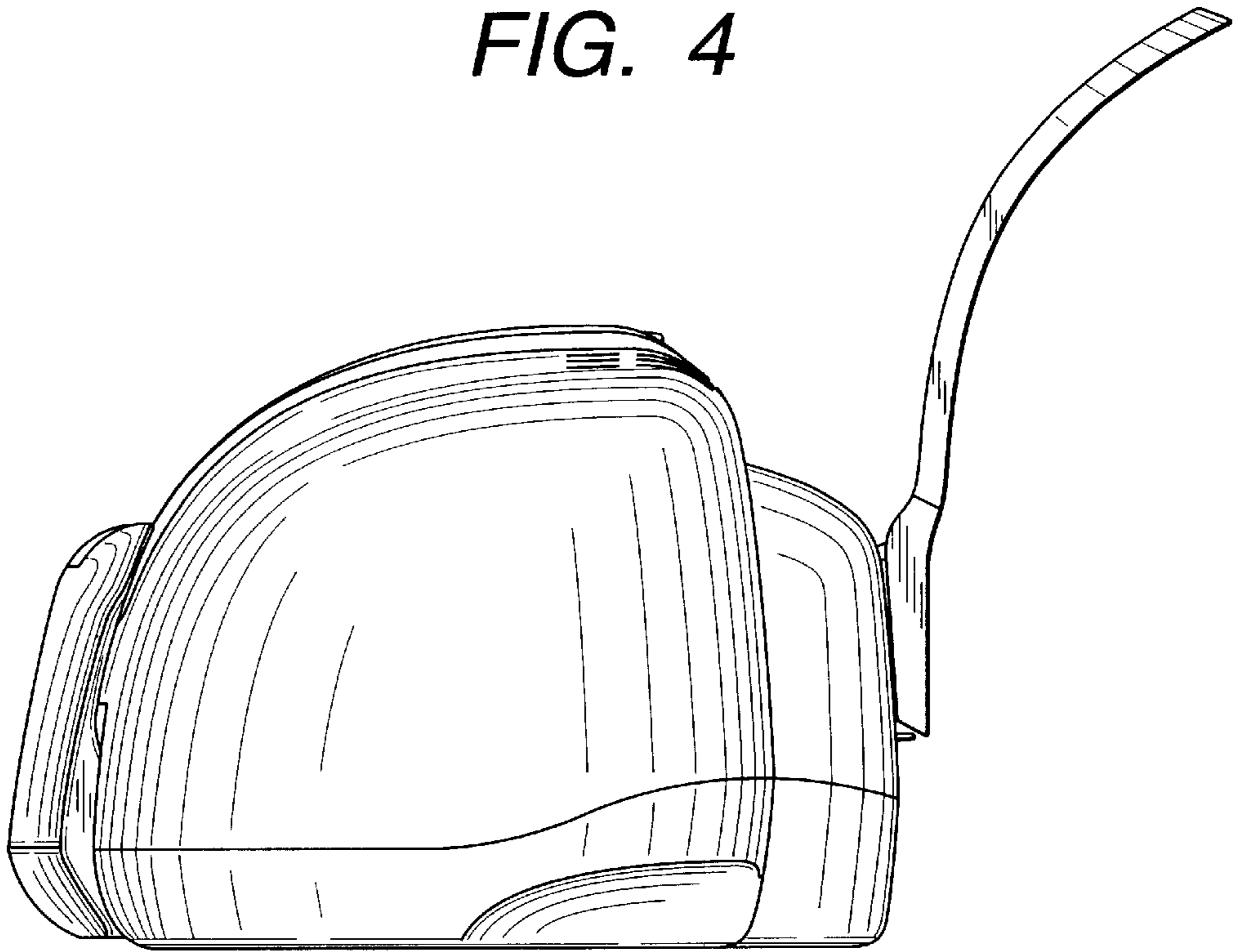


FIG. 3



*FIG. 4*



*FIG. 5*

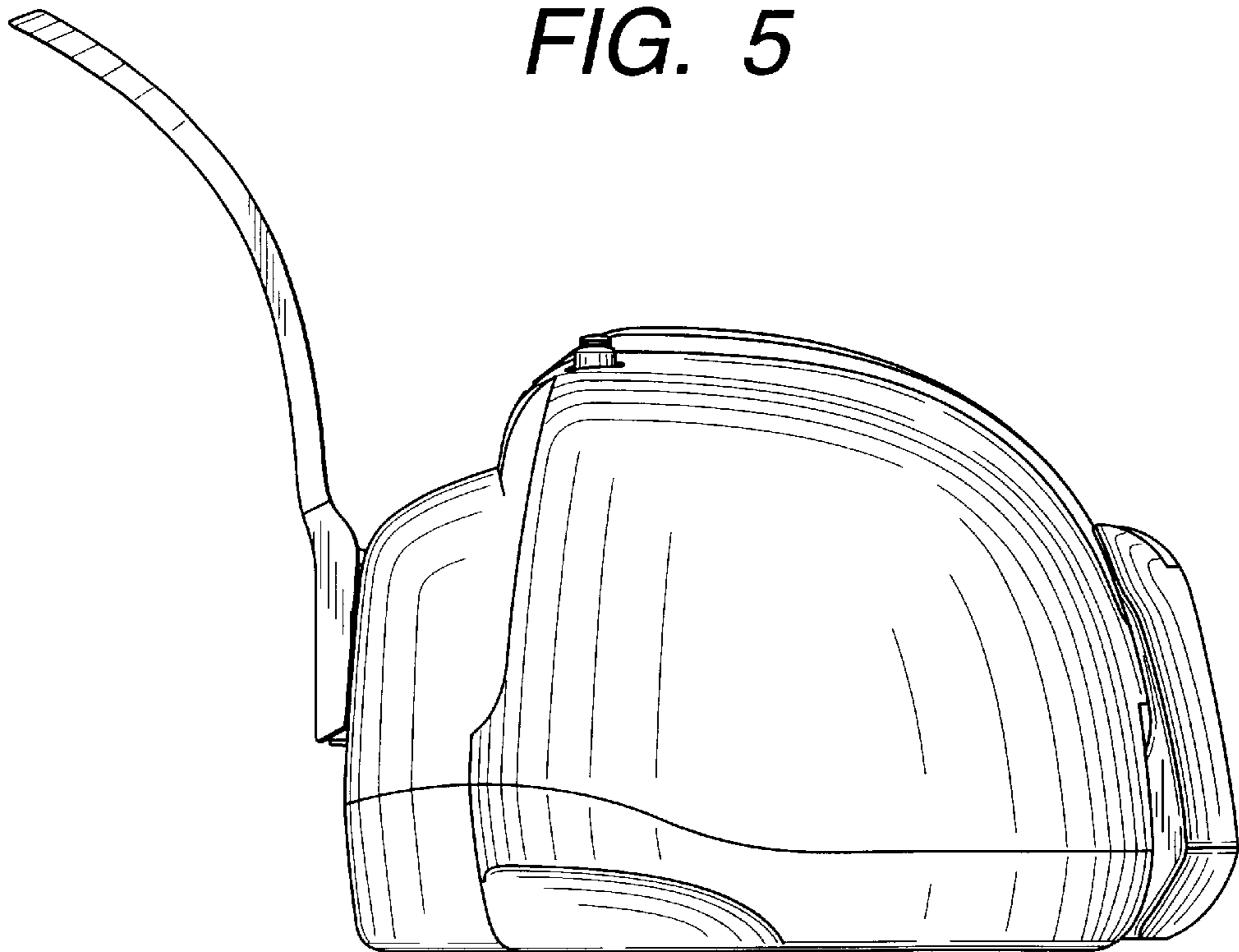


FIG. 6

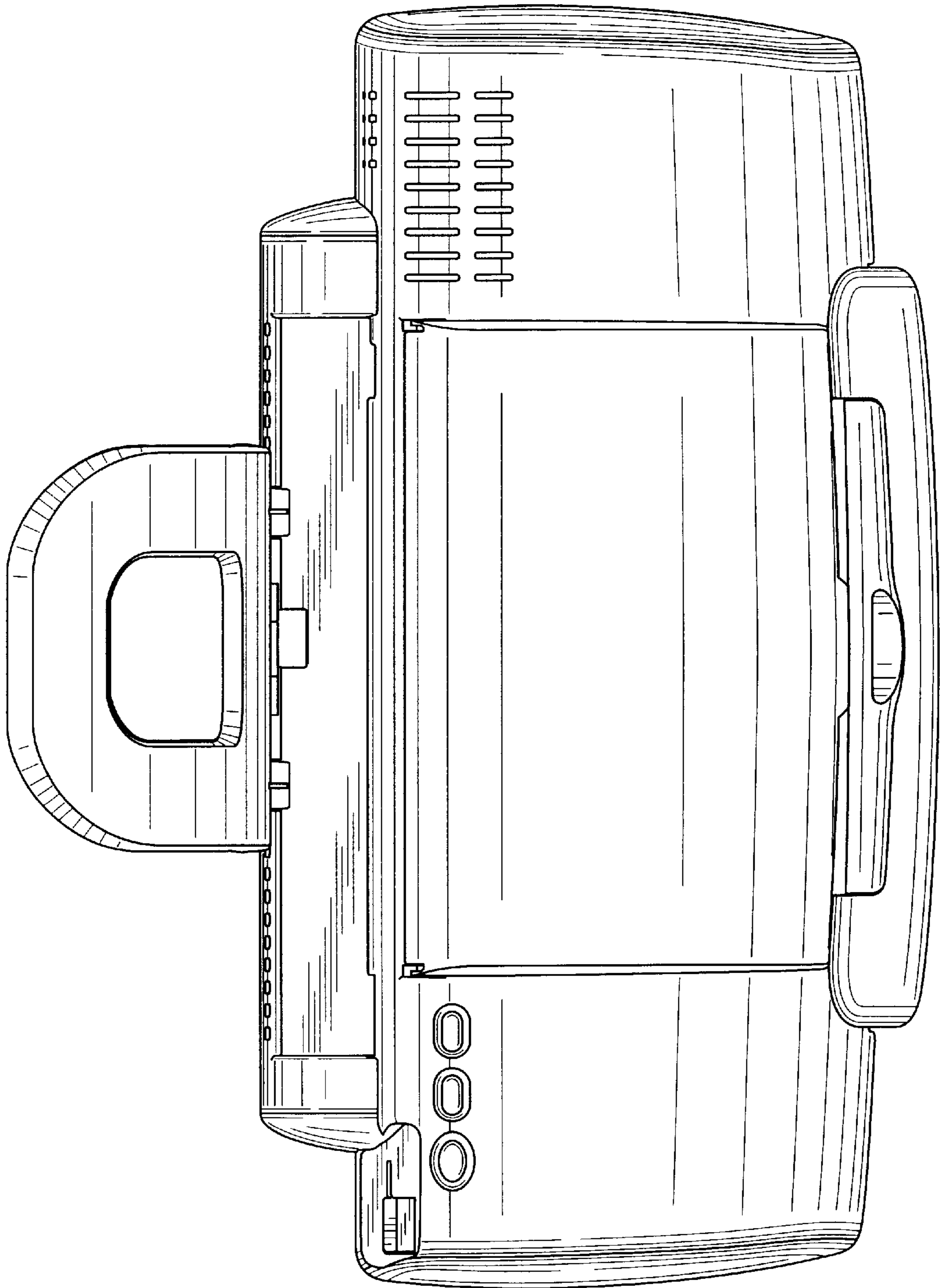
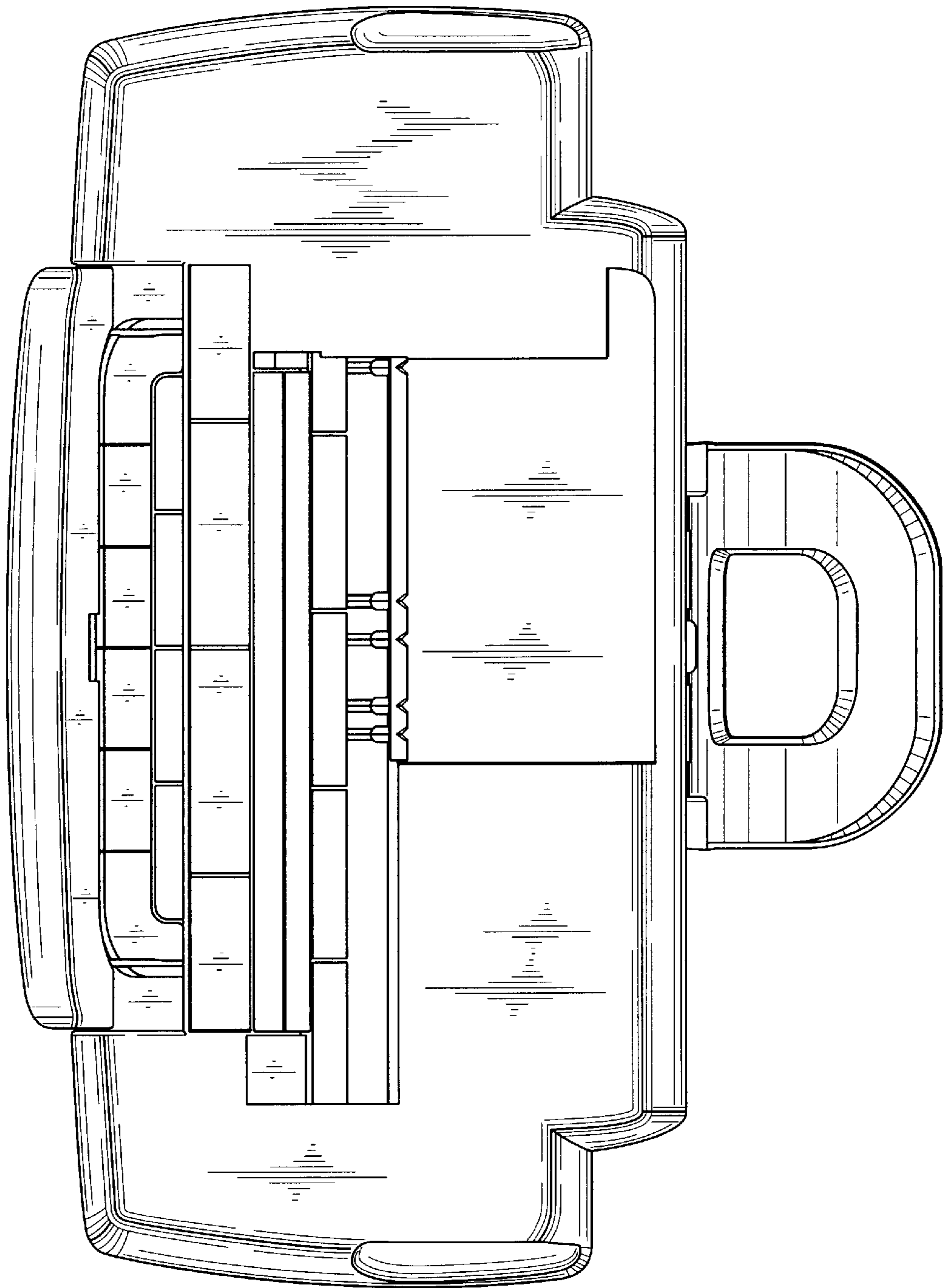


FIG. 7



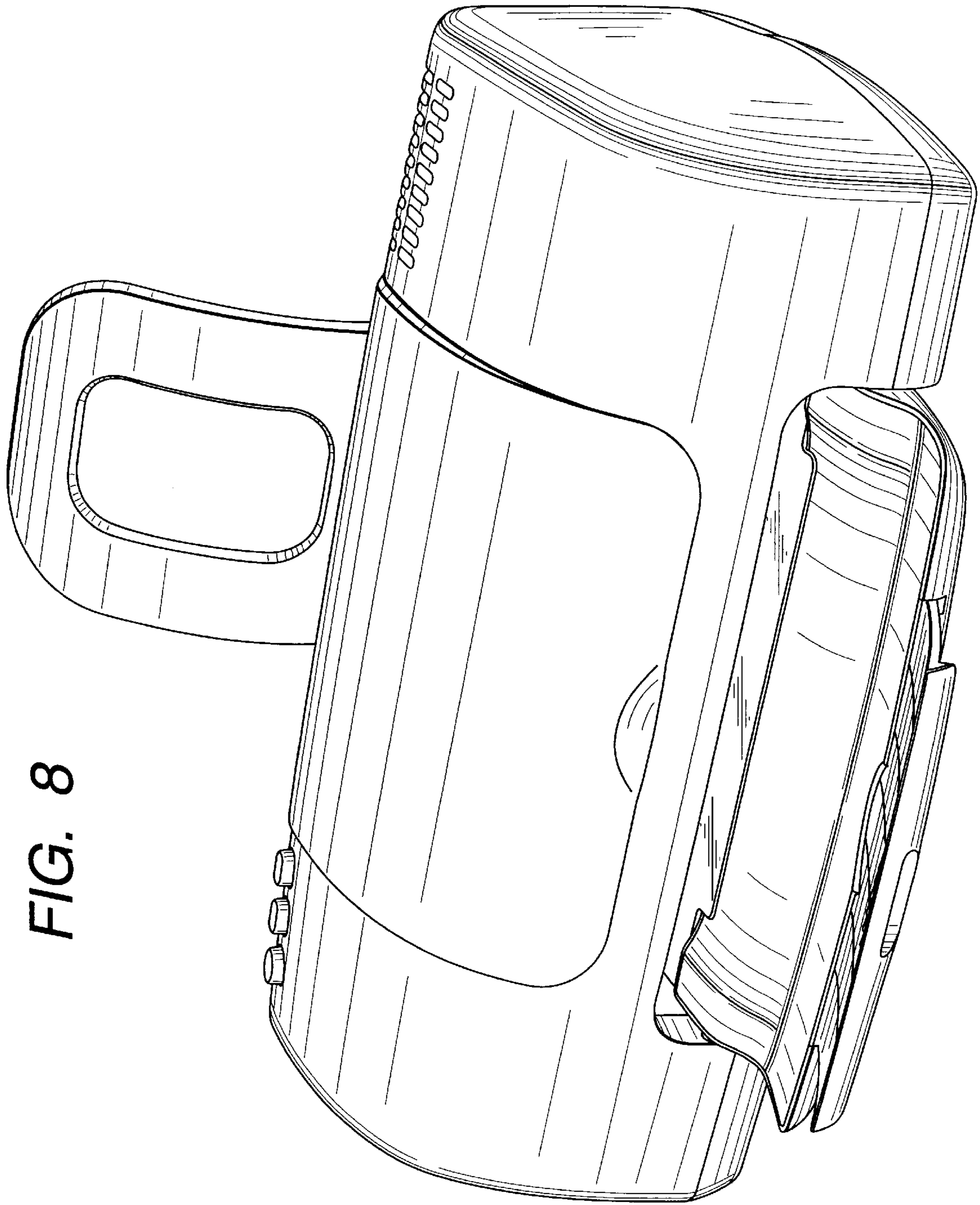


FIG. 8