



US00D470164S

(12) **United States Design Patent**
Obata

(10) **Patent No.:** **US D470,164 S**

(45) **Date of Patent:** **** Feb. 11, 2003**

(54) **PRINTER FOR A CAMERA**

2002/0039141 A1 * 4/2002 Koichi et al. 348/207

(75) Inventor: **Shinichi Obata**, Tokyo (JP)

OTHER PUBLICATIONS

(73) Assignee: **Sony Corporation**, Tokyo (JP)

Catalog "69", pp. 30 & 31, Sony Corporation (Mar. 2000).

(**) Term: **14 Years**

* cited by examiner

(21) Appl. No.: **29/149,817**

Primary Examiner—Adir Aronovich

(22) Filed: **Oct. 19, 2001**

(74) *Attorney, Agent, or Firm*—Rader, Fishman & Grauer PLLC

(51) **LOC (7) Cl.** **16-05**

(52) **U.S. Cl.** **D16/237; D18/50**

(58) **Field of Search** D16/200–204,
D16/208, 218, 219, 237; D18/14, 36, 50;
348/373–375; 358/906, 909.1; 396/429

(57) **CLAIM**

The ornamental design for a printer for a camera, as shown and described.

(56) **References Cited**

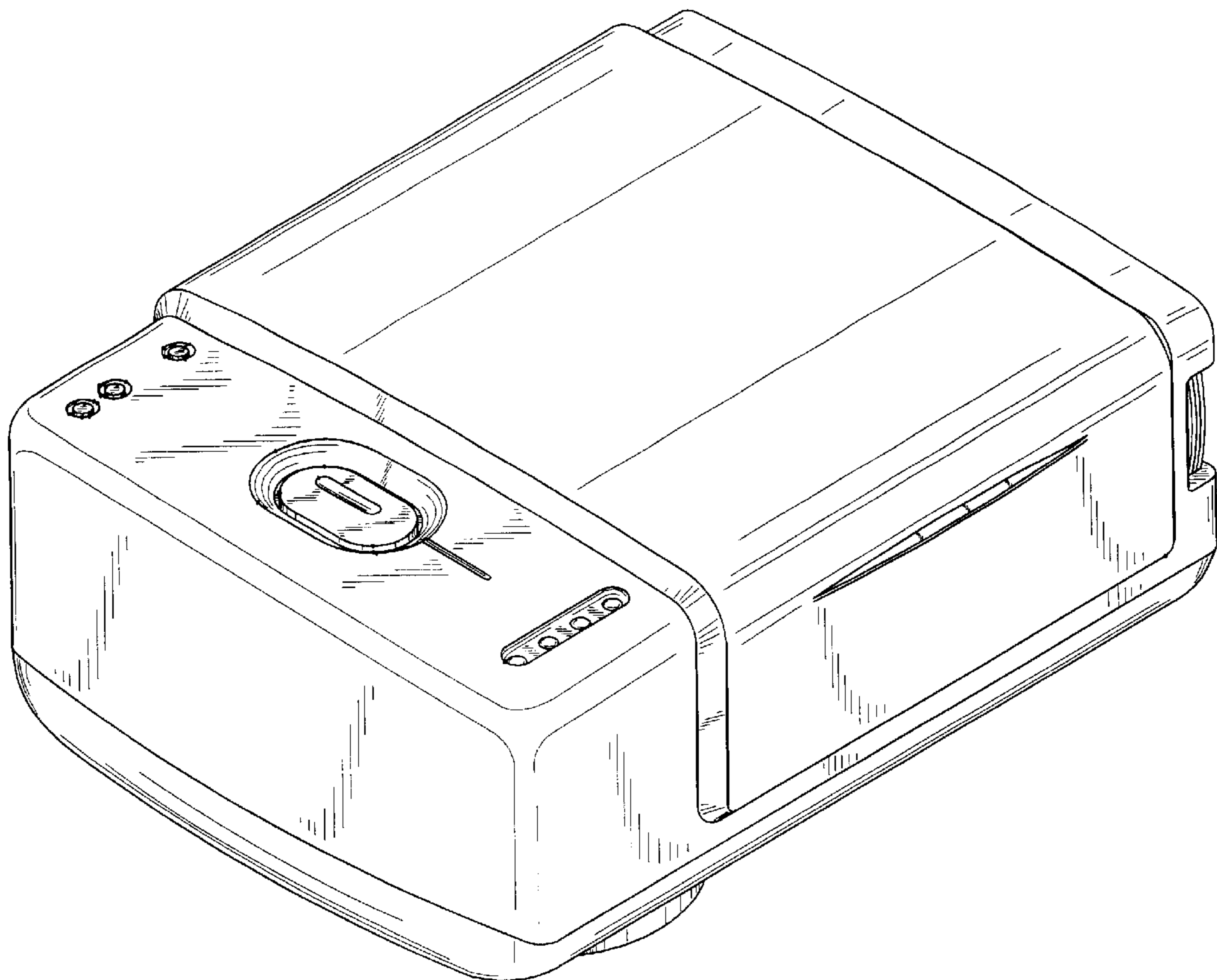
DESCRIPTION

U.S. PATENT DOCUMENTS

4,937,676	A	*	6/1990	Finelli et al.	348/375
D356,098	S	*	3/1995	Tamura	D16/202
D418,157	S	*	12/1999	Han	D18/50
D422,293	S		4/2000	Harata	D16/239
D422,631	S	*	4/2000	Toriyama et al.	D18/50
D444,811	S	*	7/2001	Yamamoto	D18/50
2002/0031351	A1	*	3/2002	Futochi	396/429

FIG. 1 is a perspective view of a printer for a camera showing my new design;
FIG. 2 is a front elevational view thereof;
FIG. 3 is a rear elevational view thereof;
FIG. 4 is a left side elevational view thereof;
FIG. 5 is a right side elevational view thereof;
FIG. 6 is a top plan view thereof; and,
FIG. 7 is a bottom plan view thereof.

1 Claim, 5 Drawing Sheets



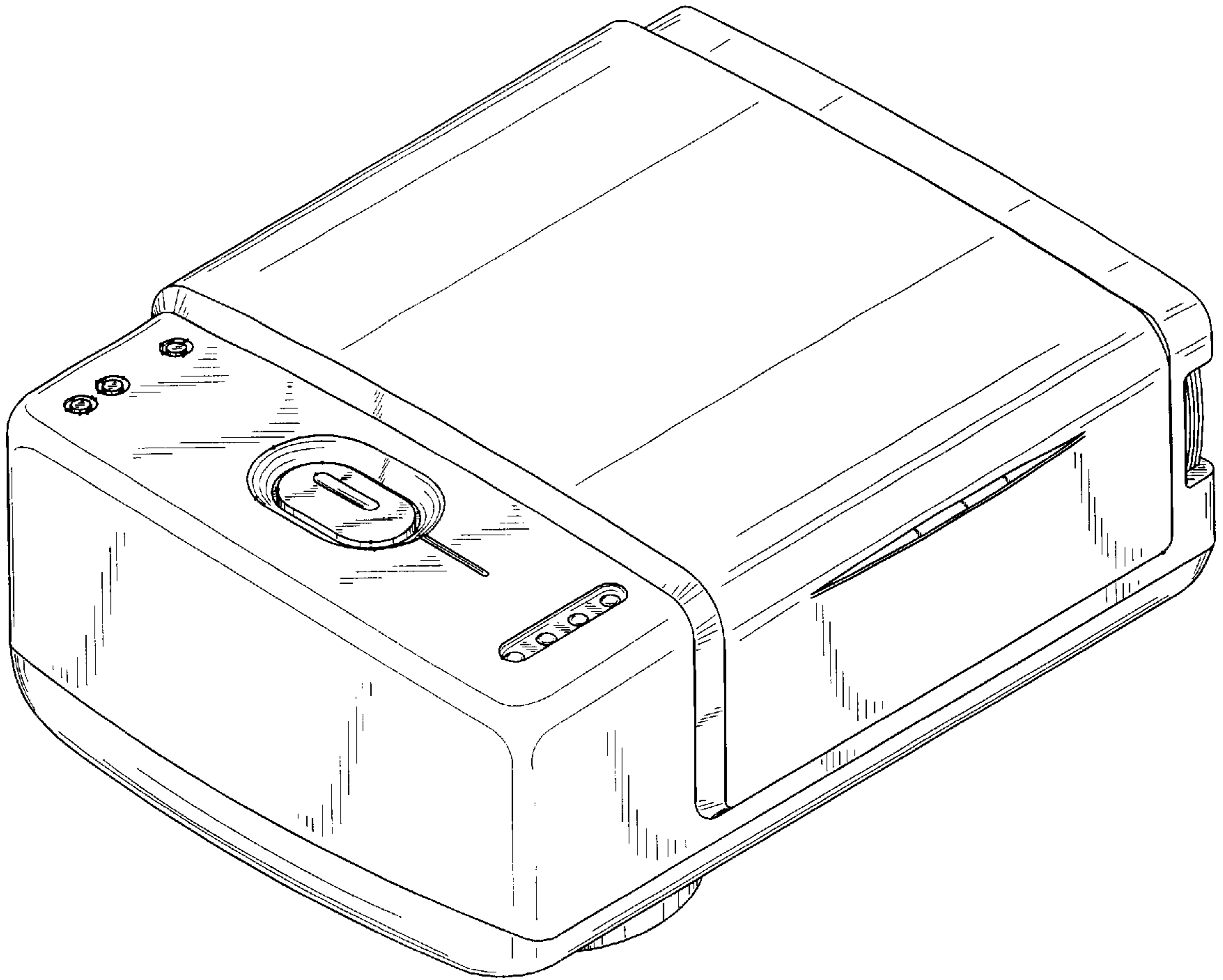


Fig. 1

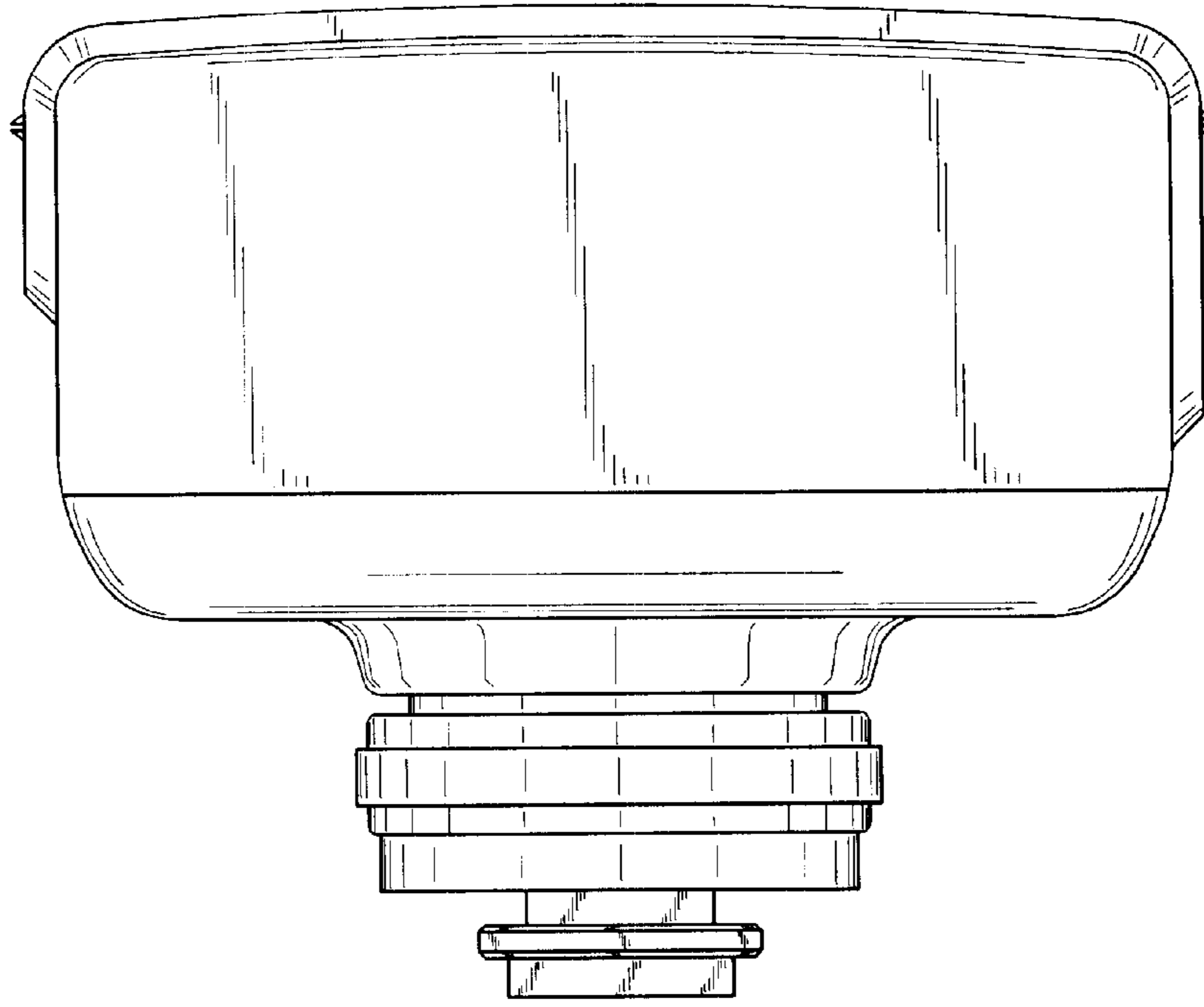


Fig. 2

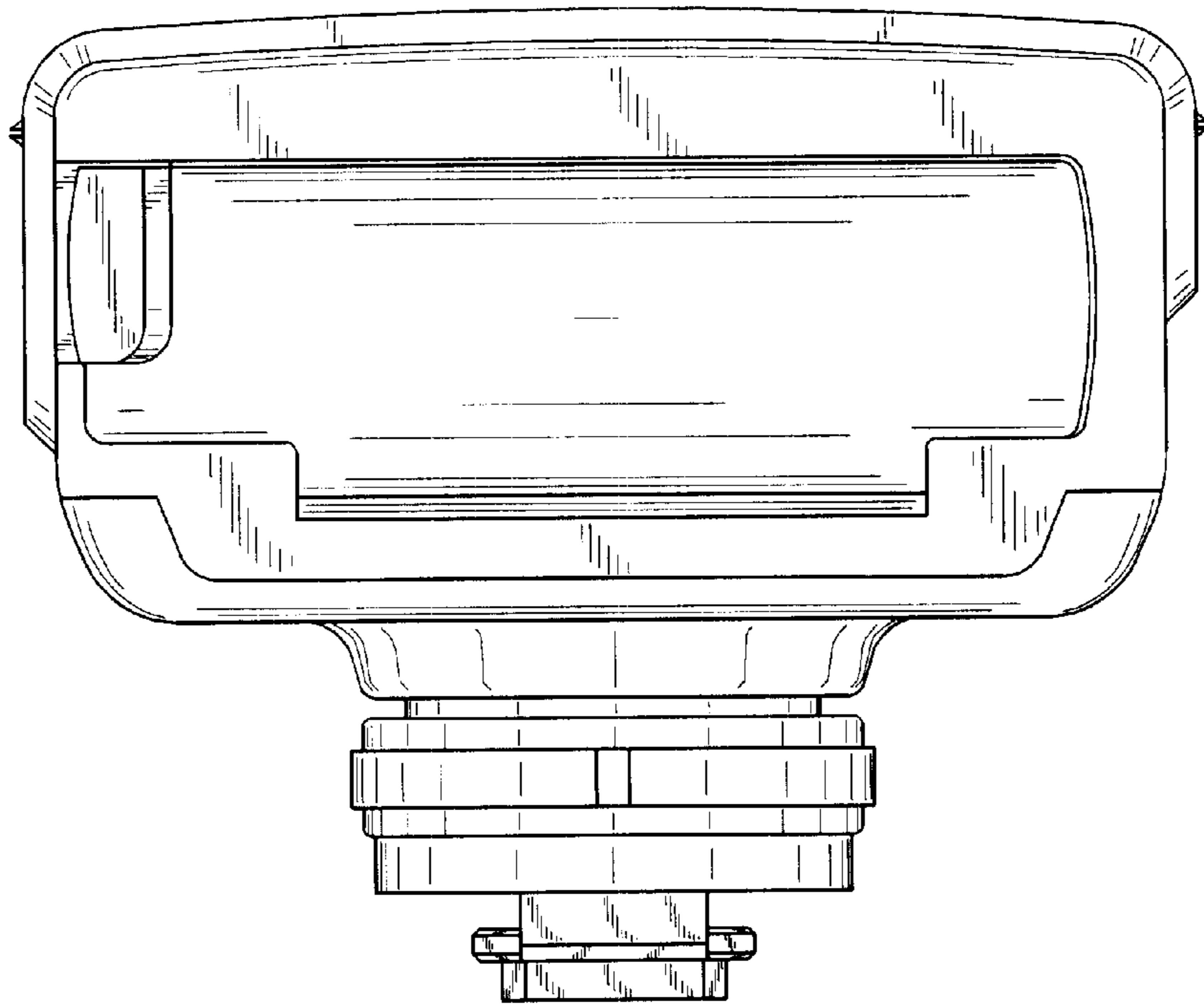


Fig. 3

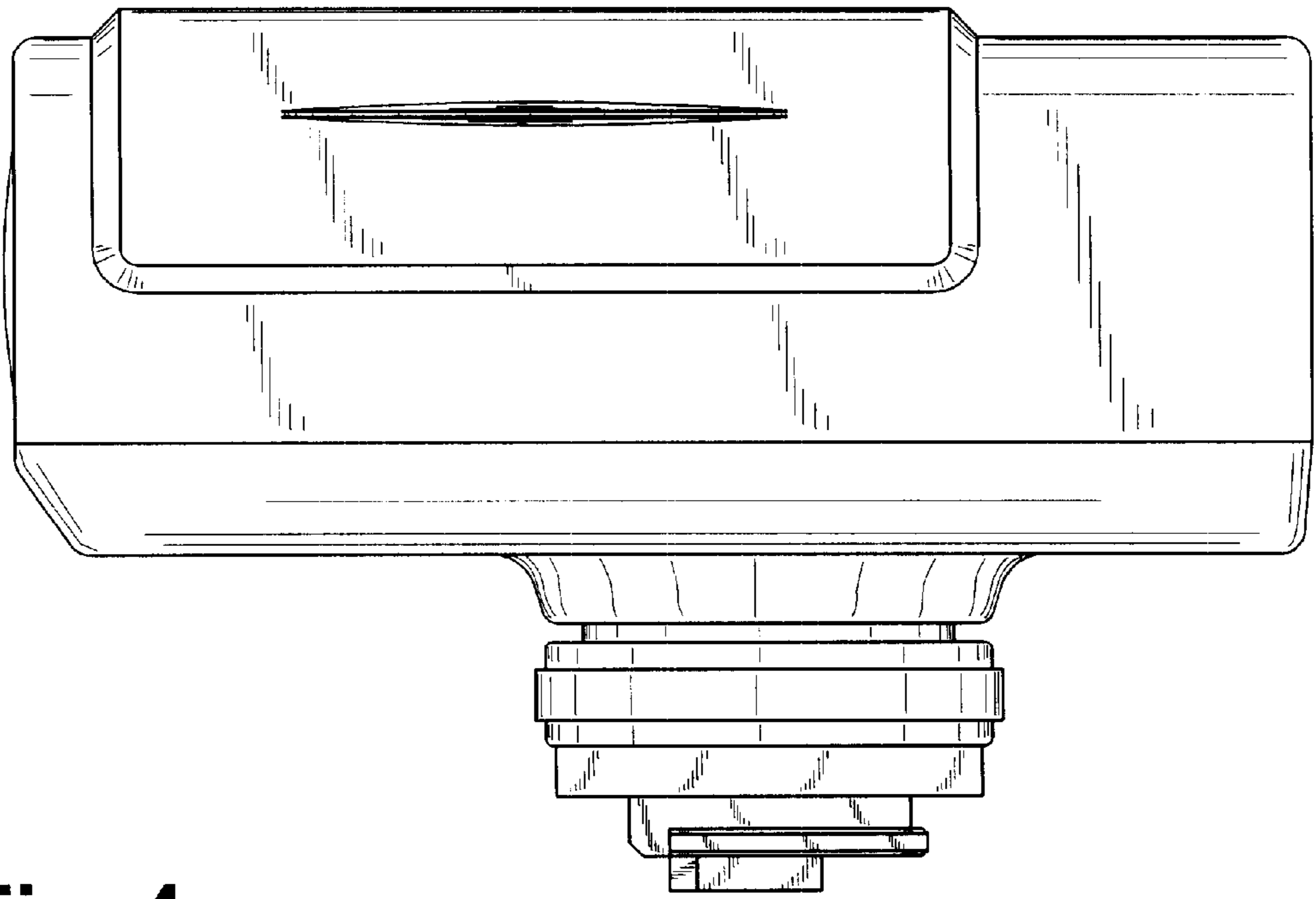


Fig. 4

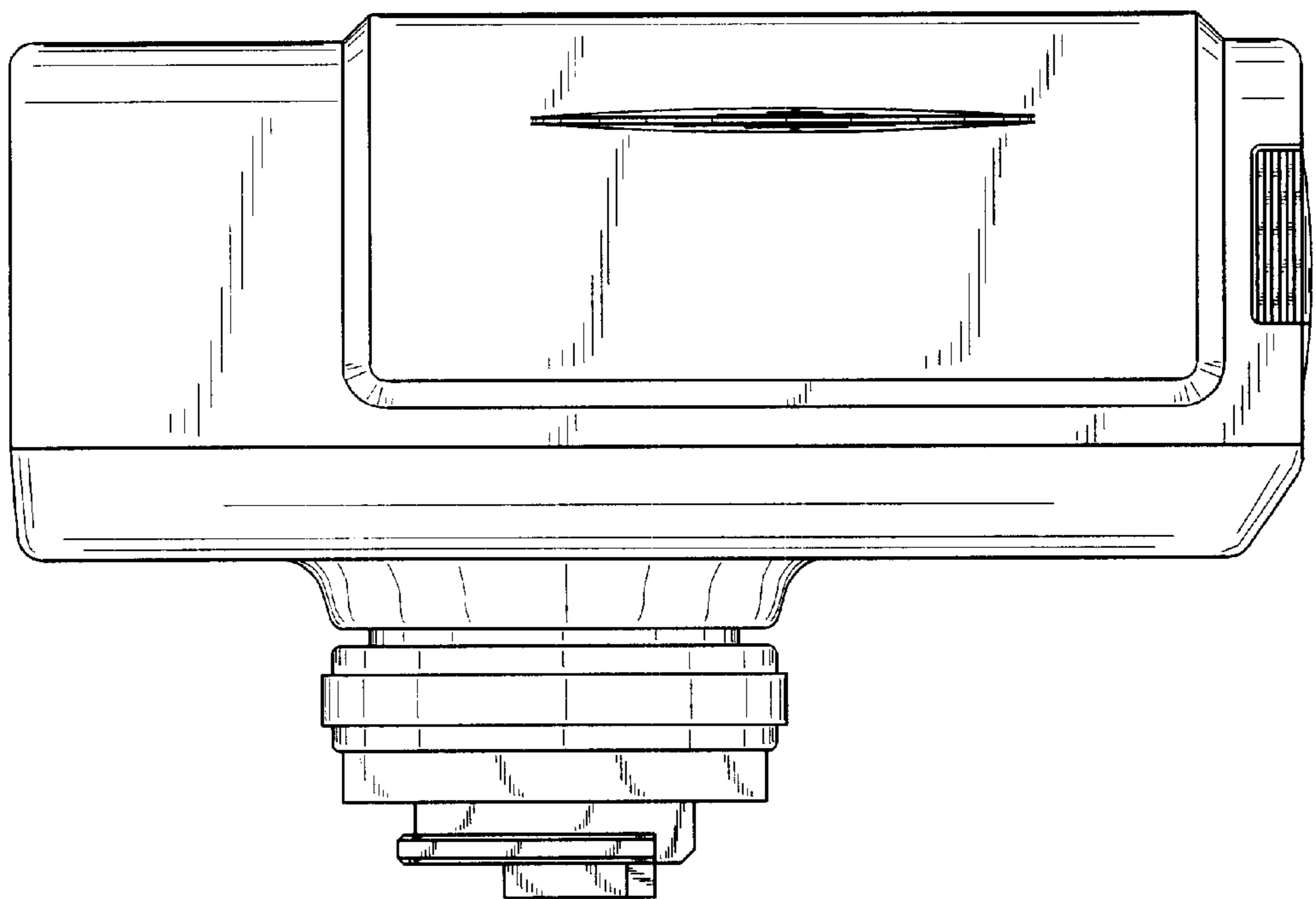


Fig. 5

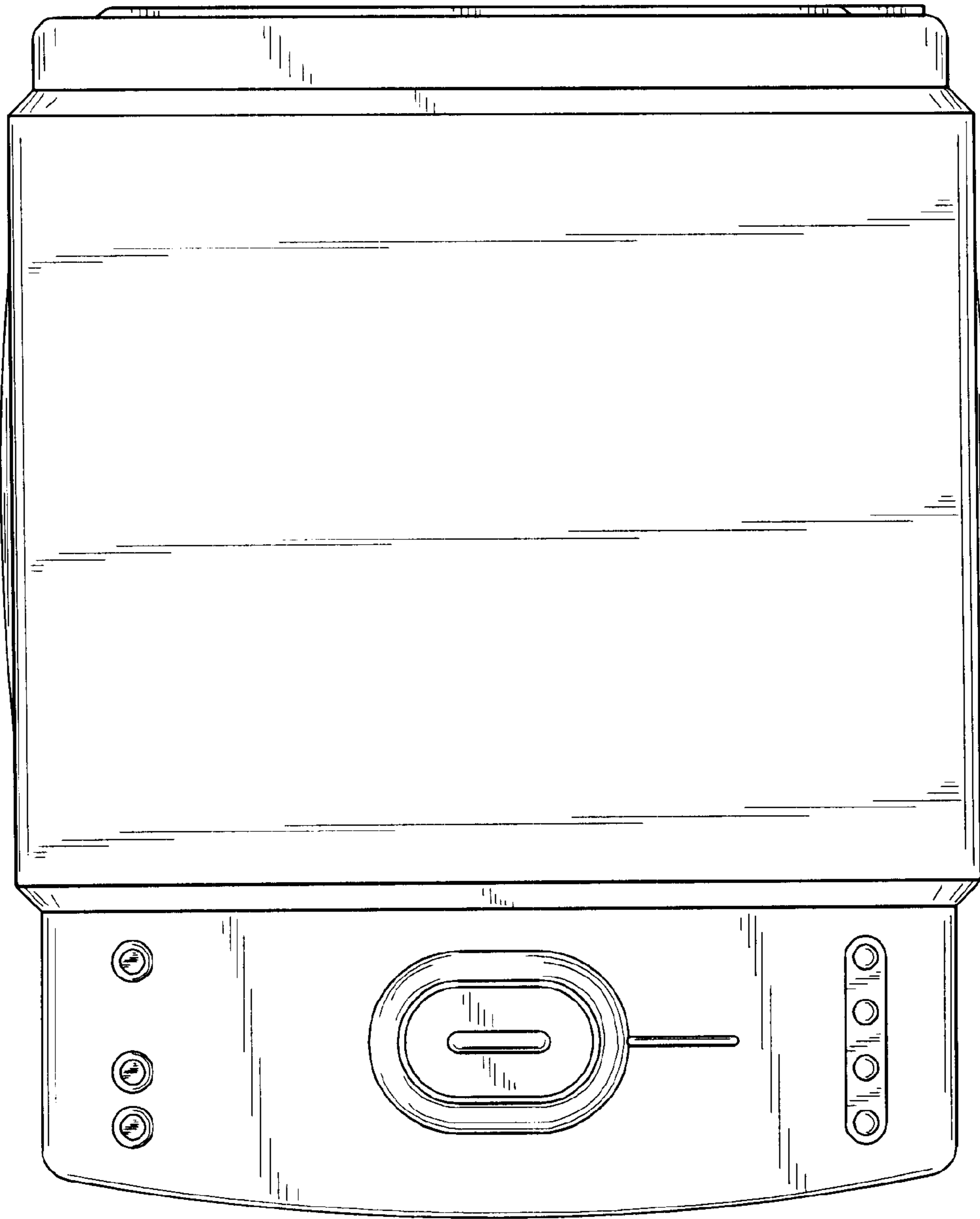


Fig. 6

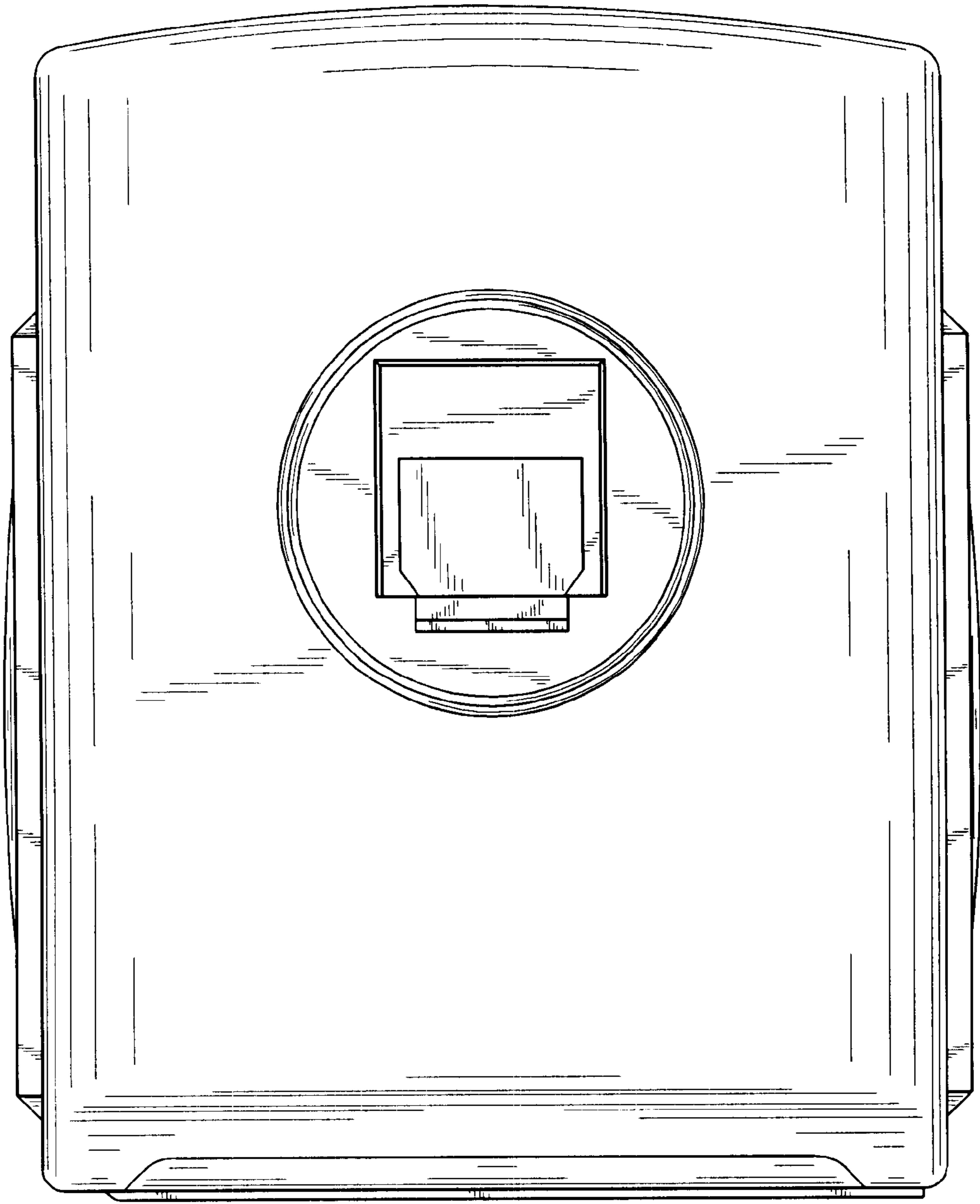


Fig. 7