



US00D470161S

(12) **United States Design Patent**
Lee

(10) **Patent No.:** **US D470,161 S**

(45) **Date of Patent:** **** Feb. 11, 2003**

(54) **MAGNIFYING GLASS WITH LIGHT FOR HANDHELD ELECTRONIC GAME**

(75) Inventor: **Man-Tat Lee, Kowloon (CN)**

(73) Assignee: **Storm Electronics Company Limited, Kowloon (CN)**

(**) Term: **14 Years**

(21) Appl. No.: **29/159,258**

(22) Filed: **Apr. 16, 2002**

(30) **Foreign Application Priority Data**

Oct. 26, 2001 (HK) 0111626

(51) **LOC (7) Cl.** **16-06**

(52) **U.S. Cl.** **D16/135; D21/333**

(58) **Field of Search** D16/130, 135;
362/109, 234; 359/802, 803, 804, 805,
808, 809, 810, 811; 463/31; 340/384.3,
815.55; D21/330, 333; 273/148 B; D26/24,
26

(56) **References Cited**

U.S. PATENT DOCUMENTS

5,091,832 A * 2/1992 Tortola et al. 362/109

5,117,339 A * 5/1992 Tortola et al. 362/109
5,130,853 A * 7/1992 Sarurai 359/803
5,130,907 A * 7/1992 Tortola et al. 362/109
5,217,295 A * 6/1993 Tortola et al. 362/109
5,307,209 A * 4/1994 Iaquinto et al. 359/804 X
5,325,280 A * 6/1994 Tortola et al. 362/234
D416,948 S * 11/1999 Soga D21/330
D426,860 S * 6/2000 Ho D21/333
D462,395 S * 9/2002 Hussaini et al. D21/333

* cited by examiner

Primary Examiner—Paula A. Mortimer

(74) *Attorney, Agent, or Firm*—Alix, Yale & Ristas, LLP

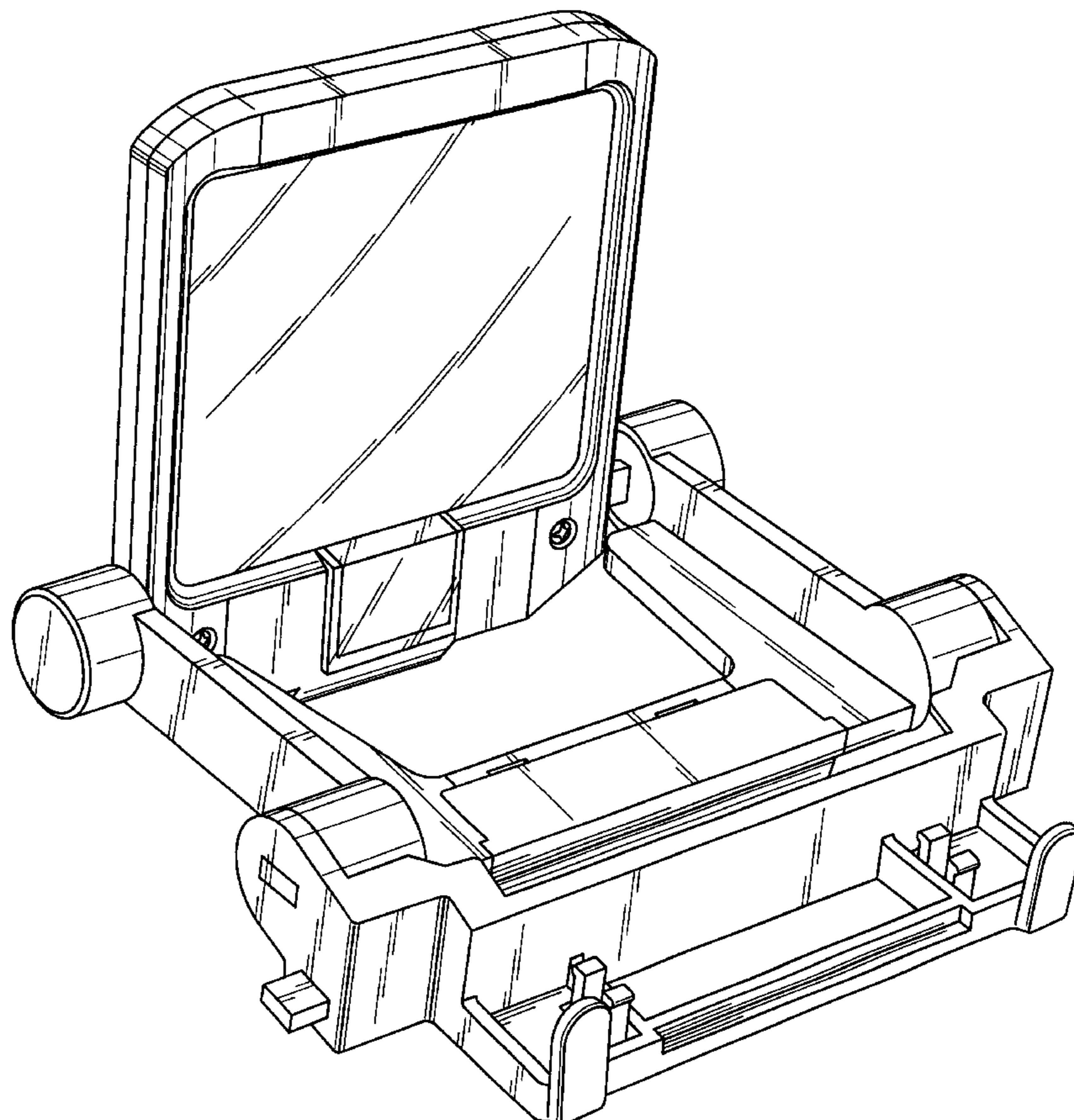
(57) **CLAIM**

The ornamental design for a magnifying glass with light for handheld electronic game, as shown and described.

DESCRIPTION

FIG. 1 is a front perspective view of a magnifying glass with light for handheld electronic game showing my new design; FIG. 2 is a front elevational view thereof; FIG. 3 is a left side elevational view thereof; FIG. 4 is a right side elevational view thereof; FIG. 5 is a rear elevational view thereof; FIG. 6 is a top plan view thereof; and, FIG. 7 is a bottom plan view thereof.

1 Claim, 7 Drawing Sheets



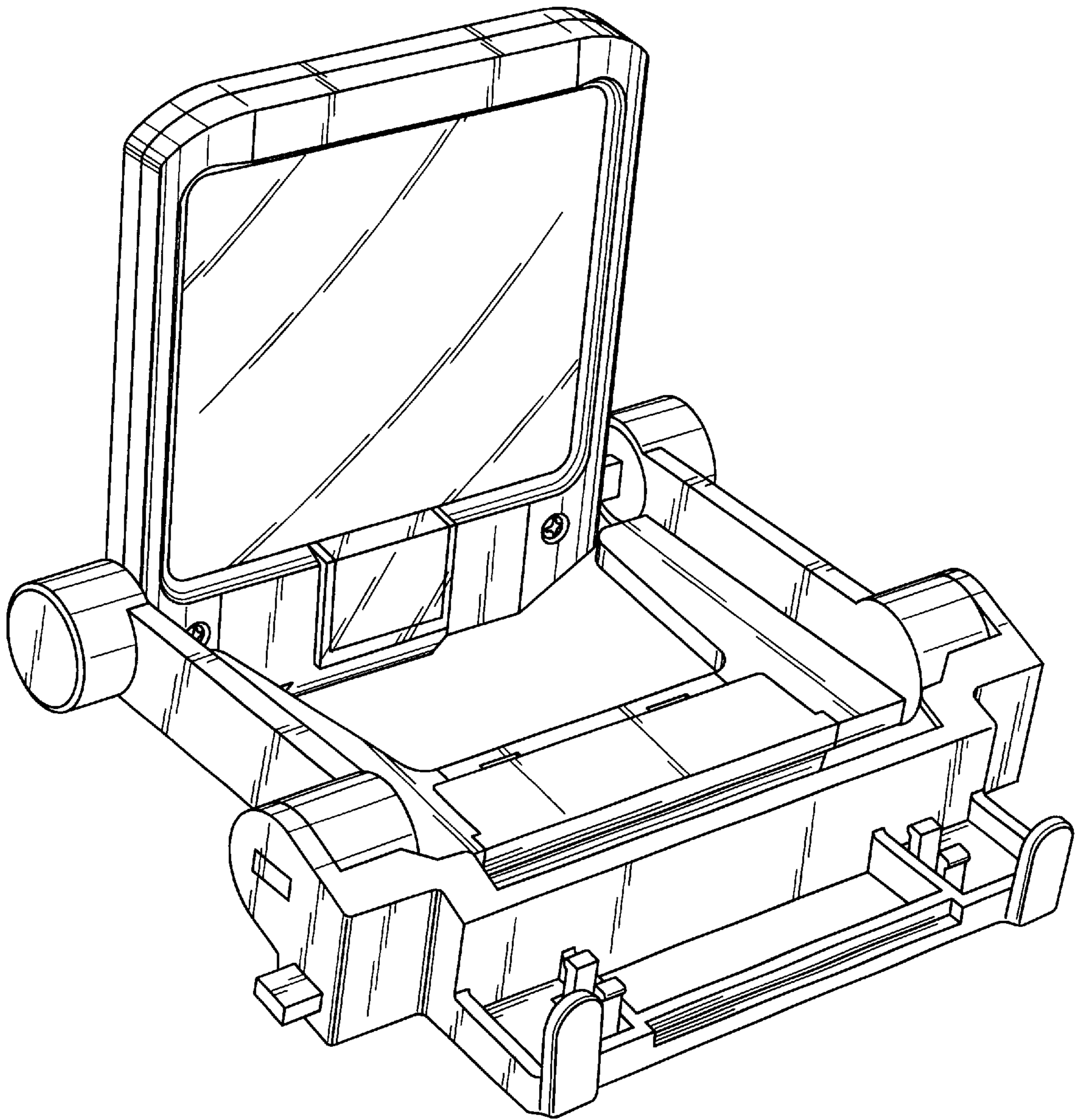


FIG. 1

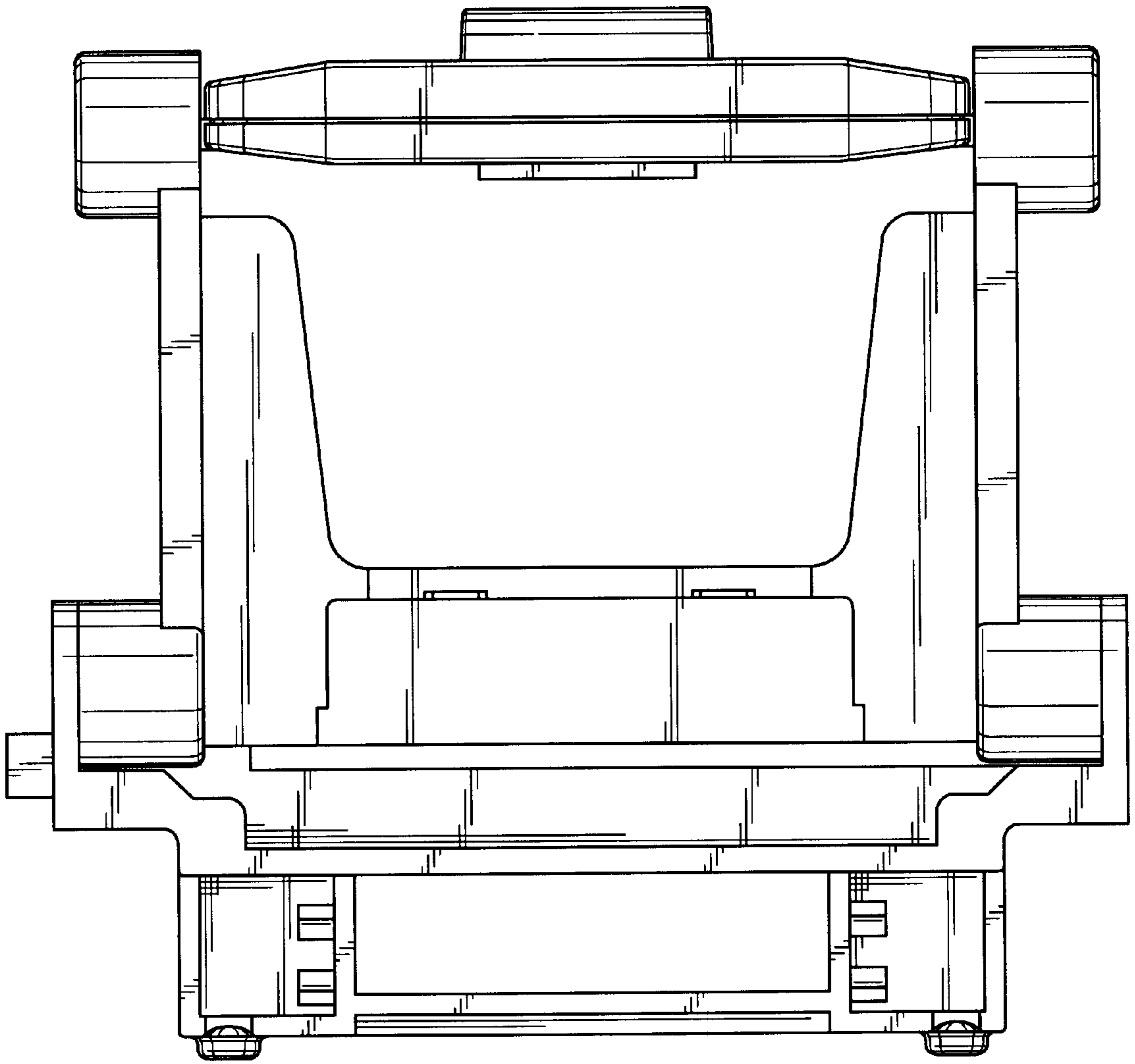


FIG. 2

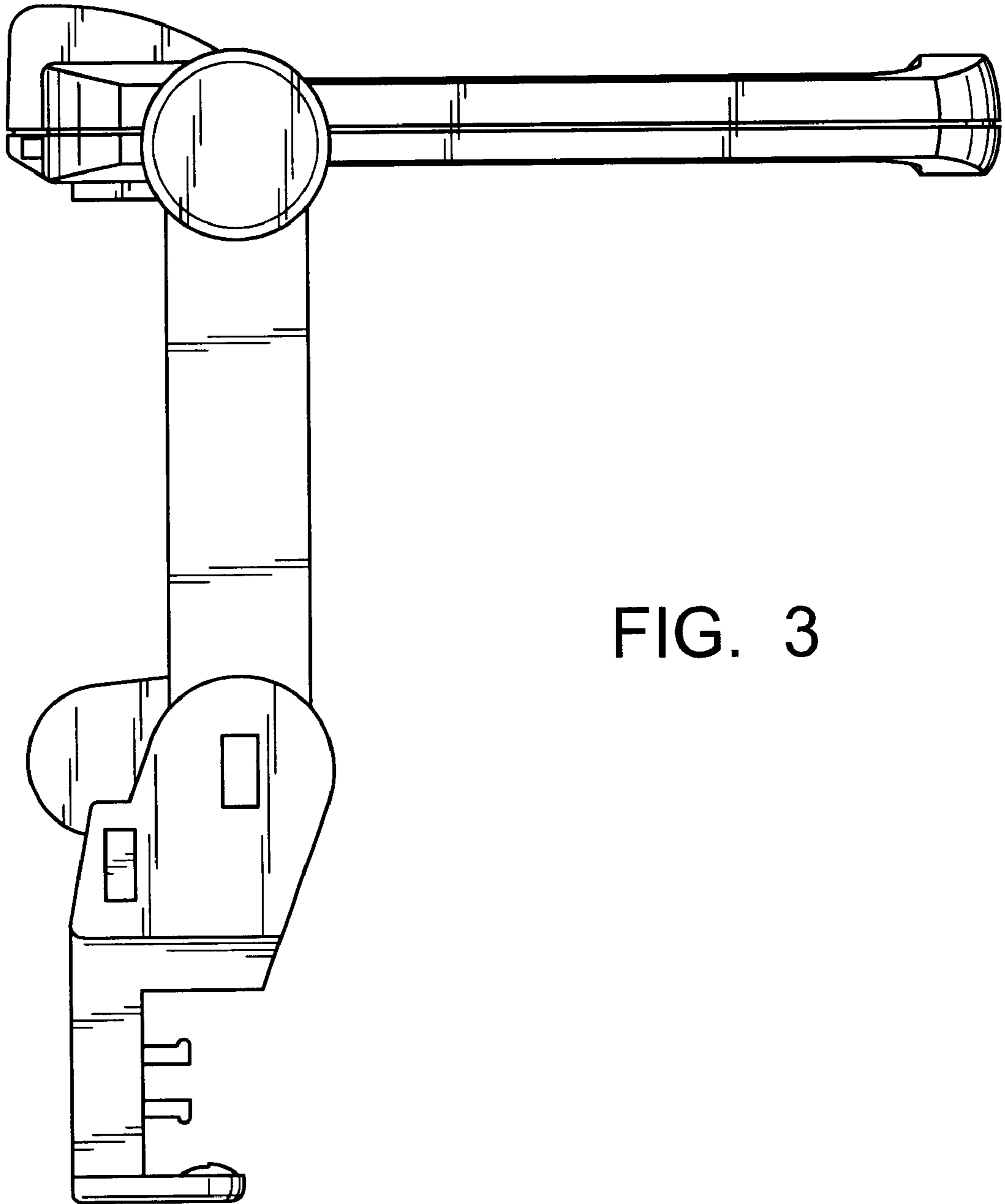


FIG. 3

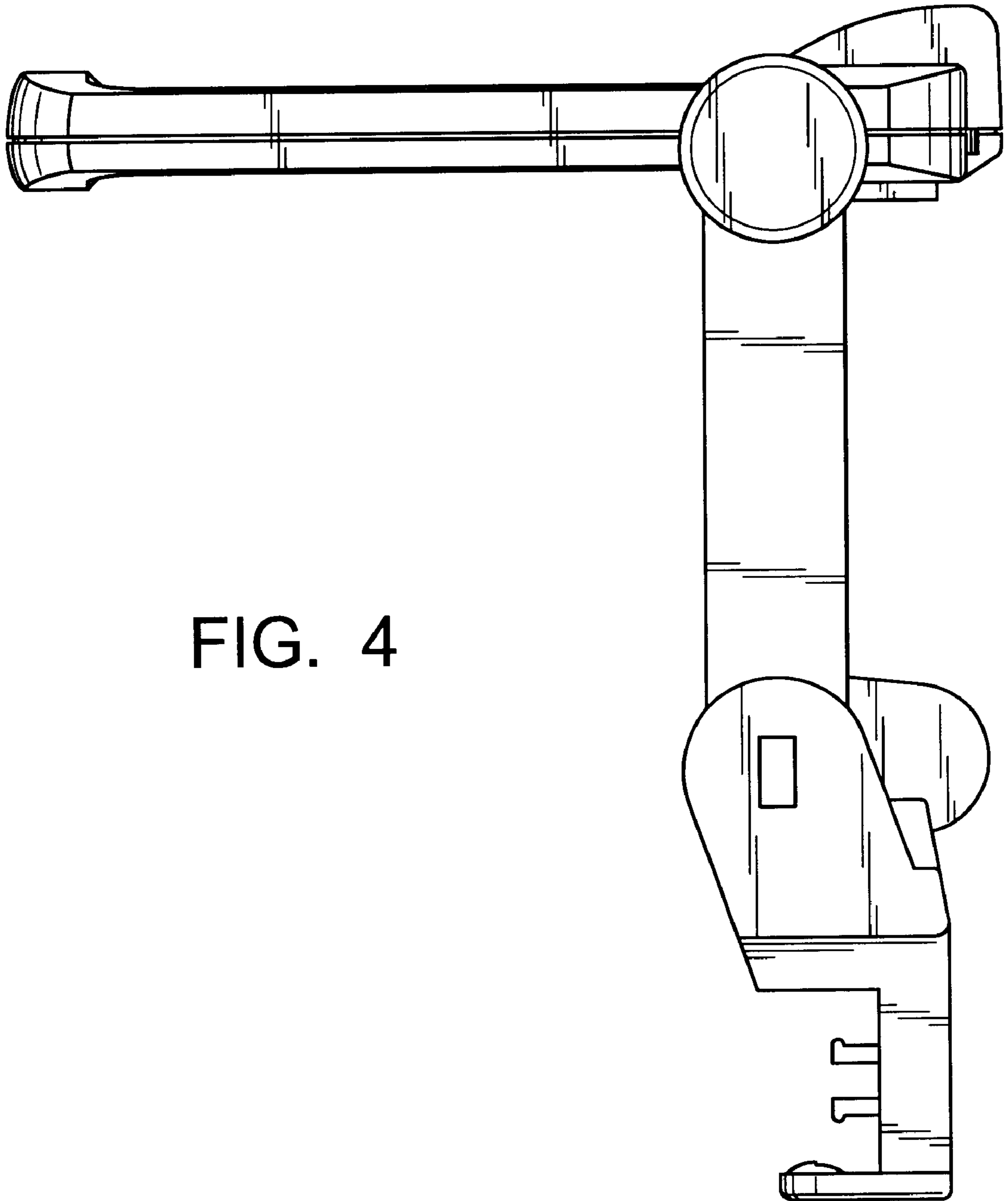


FIG. 4

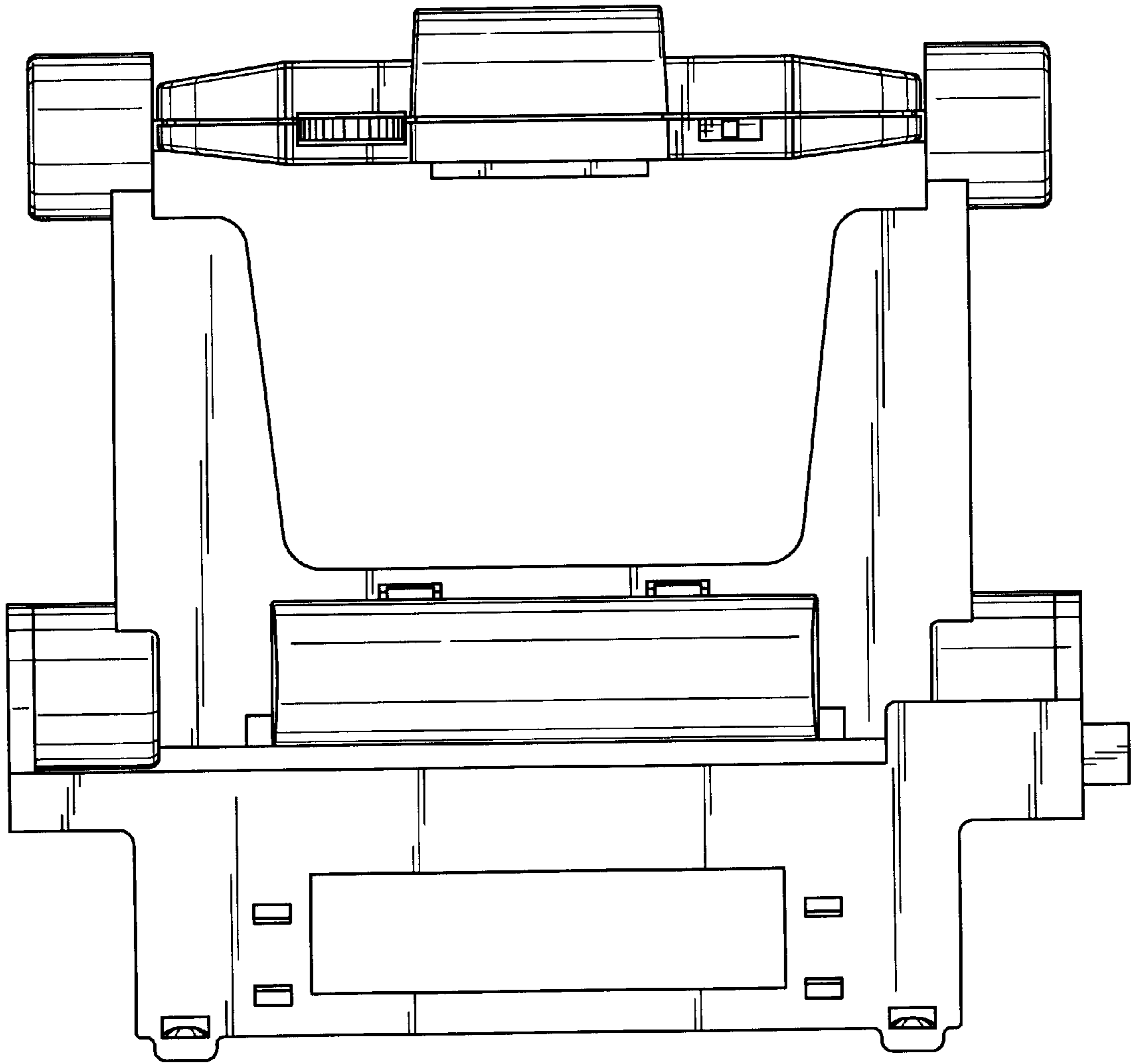


FIG. 5

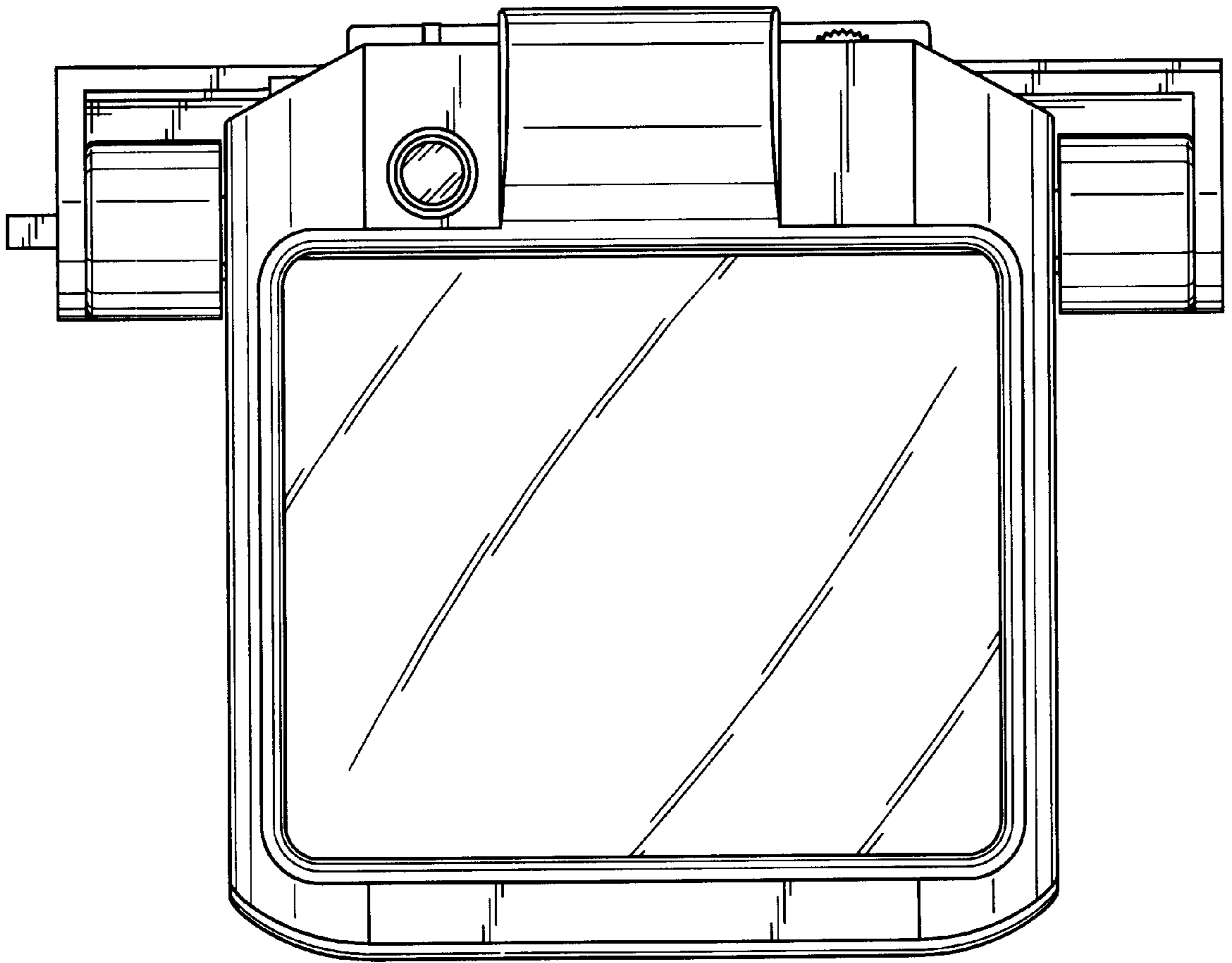


FIG. 6

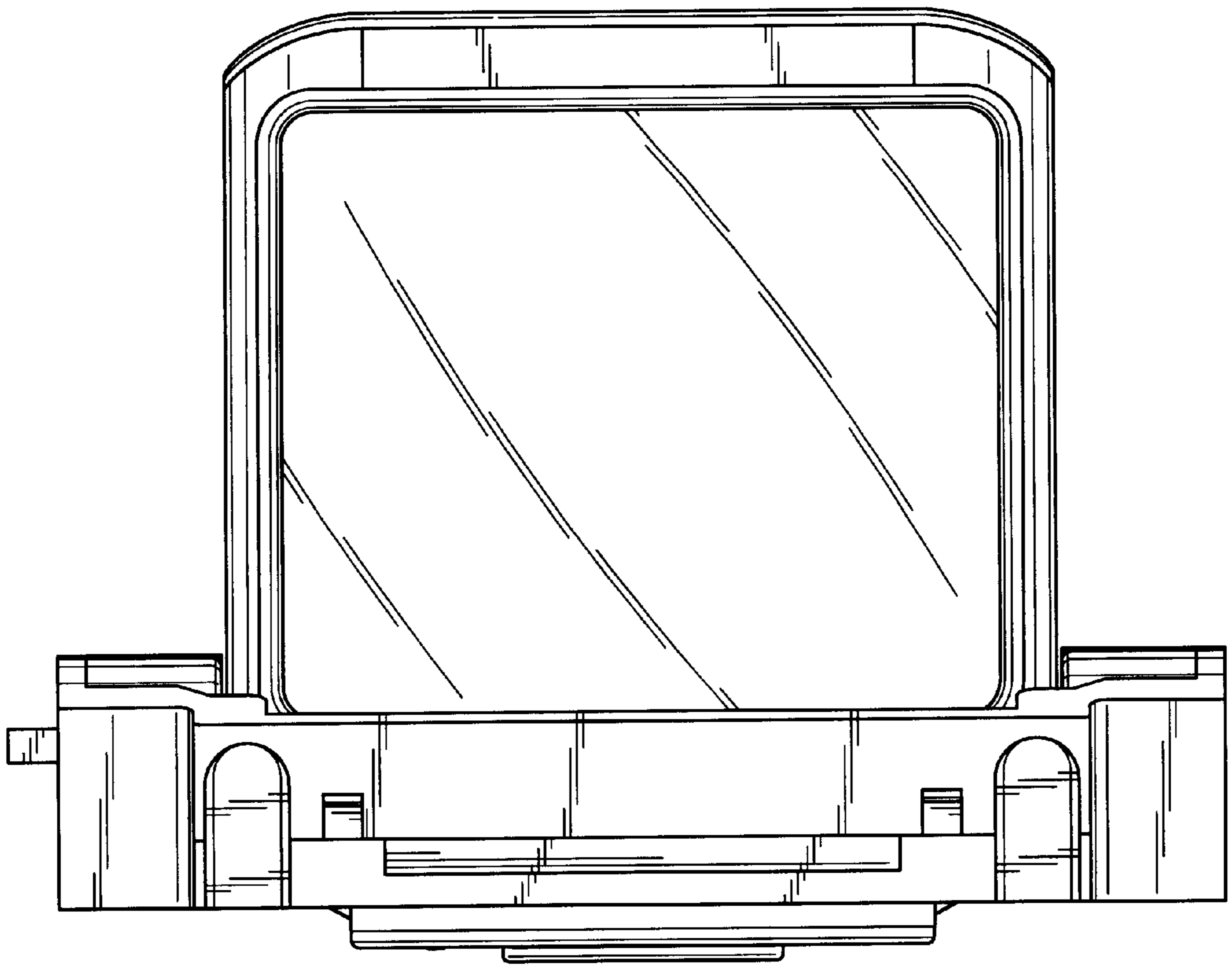


FIG. 7