



US00D470160S

(12) **United States Design Patent**
Meinzer

(10) **Patent No.:** **US D470,160 S**

(45) **Date of Patent:** **** Feb. 11, 2003**

(54) **BINOCULARS WITH ADJUSTABLE
MAGNIFICATION**

(75) Inventor: **Manfred Meinzer**, Hermer (DE)

(73) Assignee: **Leica Camera AG**, Solms (DE)

(**) Term: **14 Years**

(21) Appl. No.: **29/154,522**

(22) Filed: **Jan. 28, 2002**

(30) **Foreign Application Priority Data**

Jul. 26, 2001 (DE) 4 01 06 593

(51) **LOC (7) Cl.** **16-06**

(52) **U.S. Cl.** **D16/133**

(58) **Field of Search** D16/130, 132,
D16/133; 359/405, 407, 409, 411, 412,
413, 415, 417, 418, 420, 804, 809

(56) **References Cited**

U.S. PATENT DOCUMENTS

3,817,594 A *	6/1974	Fischer	359/408
D256,024 S *	7/1980	Noda et al.	D16/133
4,329,013 A *	5/1982	Hengst	359/418
D359,972 S *	7/1995	Takahashi	D16/133
D361,777 S *	8/1995	Akabane et al.	D16/133
D367,662 S *	3/1996	Chan	D16/133
D380,225 S *	6/1997	Kung	D16/133
D391,975 S *	3/1998	Meinzer	D16/133
D395,055 S *	6/1998	Lee	D16/133
D412,177 S *	7/1999	Fujii	D16/133

* cited by examiner

Primary Examiner—Paula A. Mortimer

(74) *Attorney, Agent, or Firm*—Crowell & Moring LLP

(57) **CLAIM**

The ornamental design for a binoculars with adjustable magnification, as shown and described.

DESCRIPTION

FIG. 1 is a top view of binoculars with adjustable magnification according to my novel design;

FIG. 2 is a bottom view of the binoculars with adjustable magnification according to my novel design;

FIG. 3 is a front view of the binoculars with adjustable magnification according to my novel design;

FIG. 4 is rear view of the binoculars with adjustable magnification according to my novel design;

FIG. 5 is a left side view of the binoculars with adjustable magnification according to my novel design;

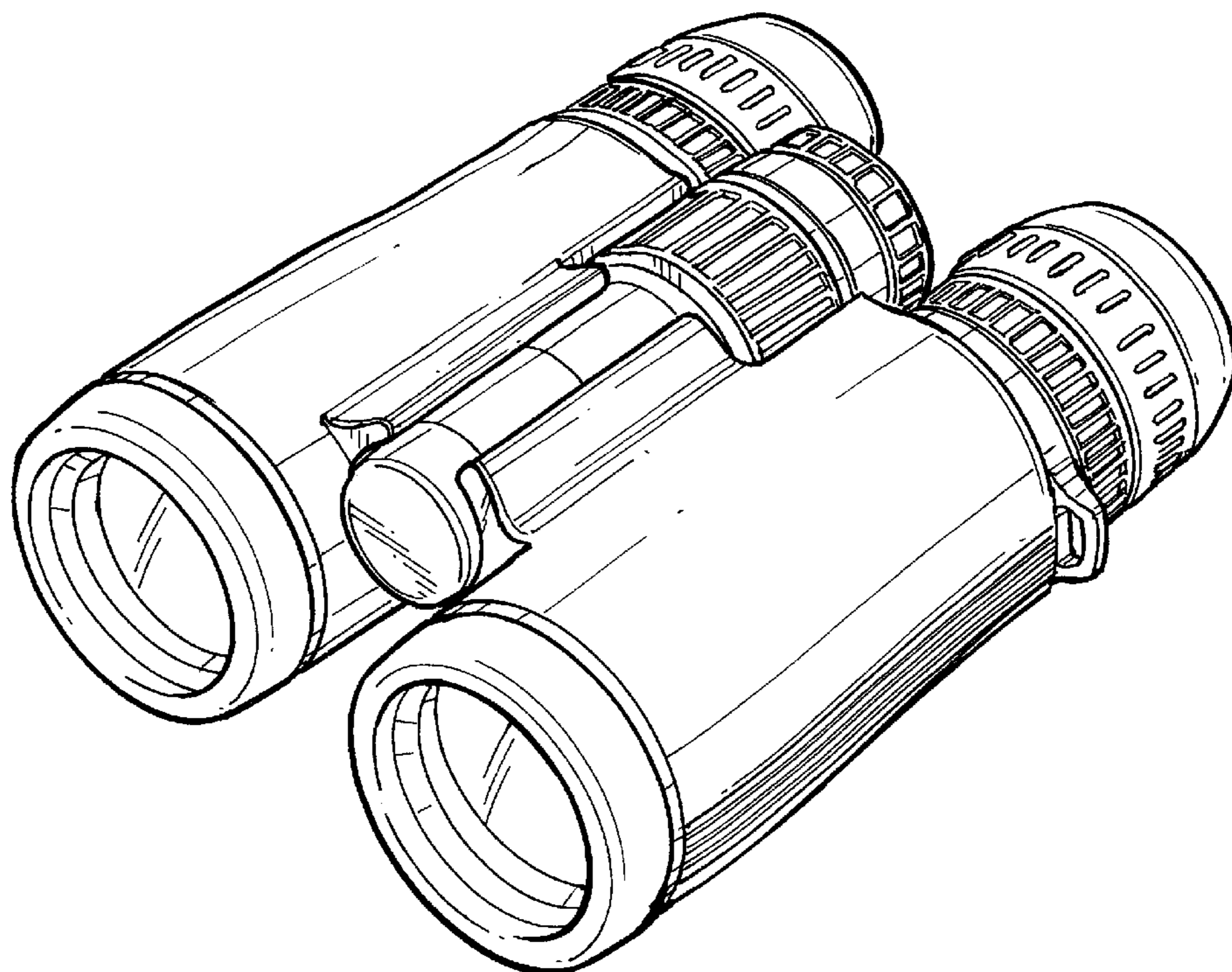
FIG. 6 is a front perspective view from the top of the binoculars with adjustable magnification according to my novel design;

FIG. 7 is a rear perspective view from the top of the binoculars with adjustable magnification according to my novel design; and,

FIG. 8 is a top view of the binoculars with adjustable magnification with the ocular tubes in extended position according to my novel design.

The broken lines in FIGS. 4 and 7 are for illustrative purposes only and forms no part of the claimed design.

1 Claim, 4 Drawing Sheets



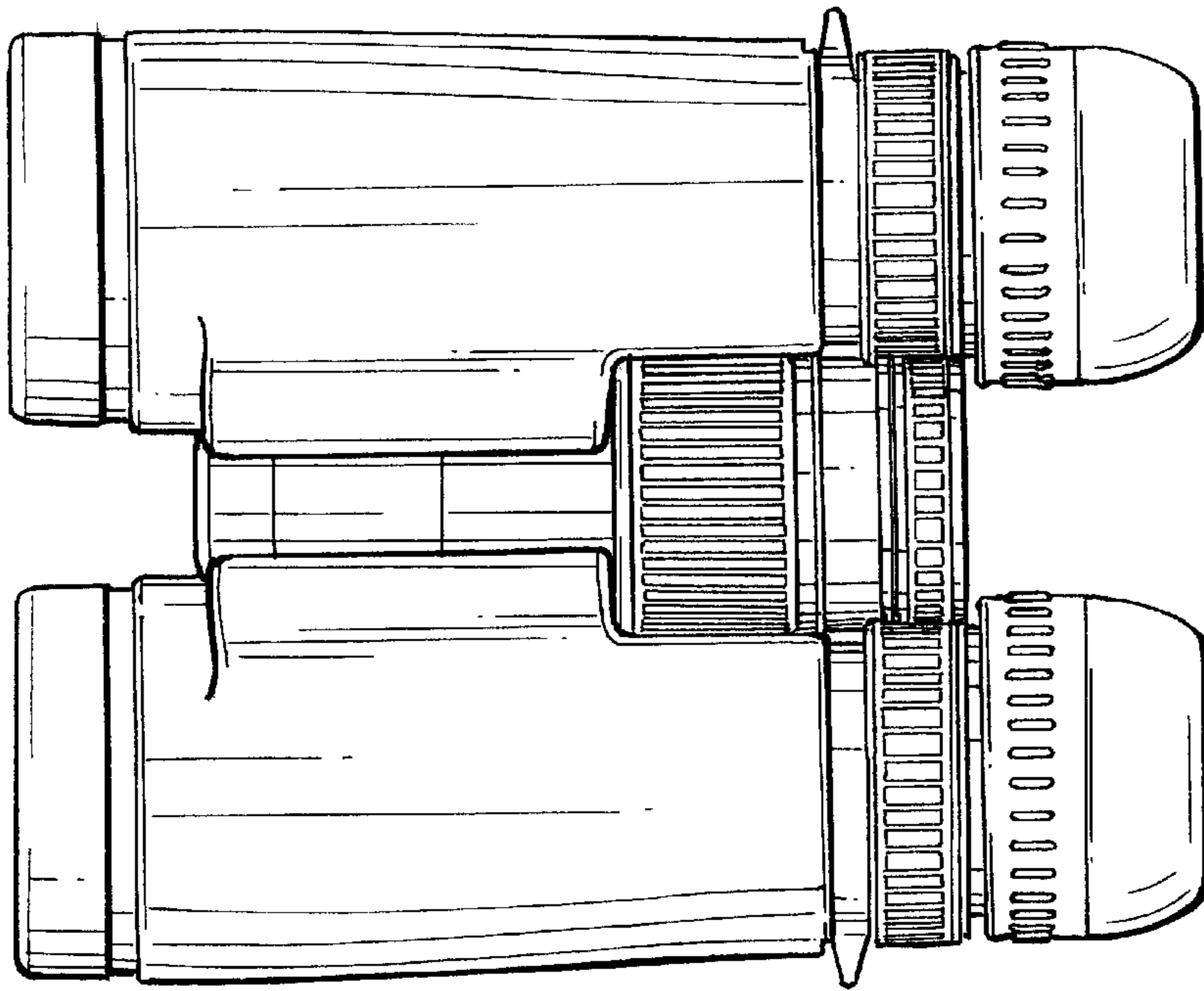


FIG. 1

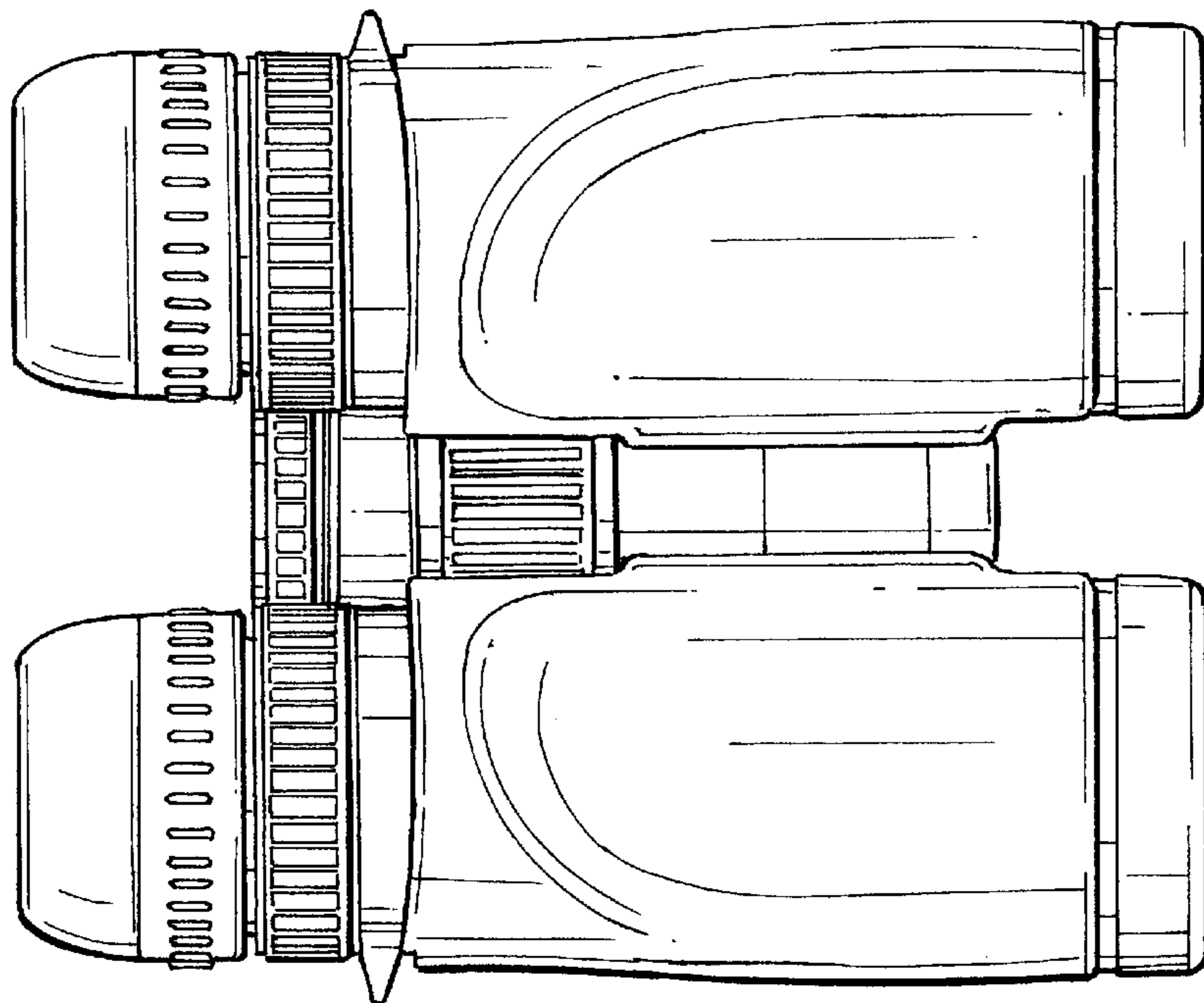


FIG. 2

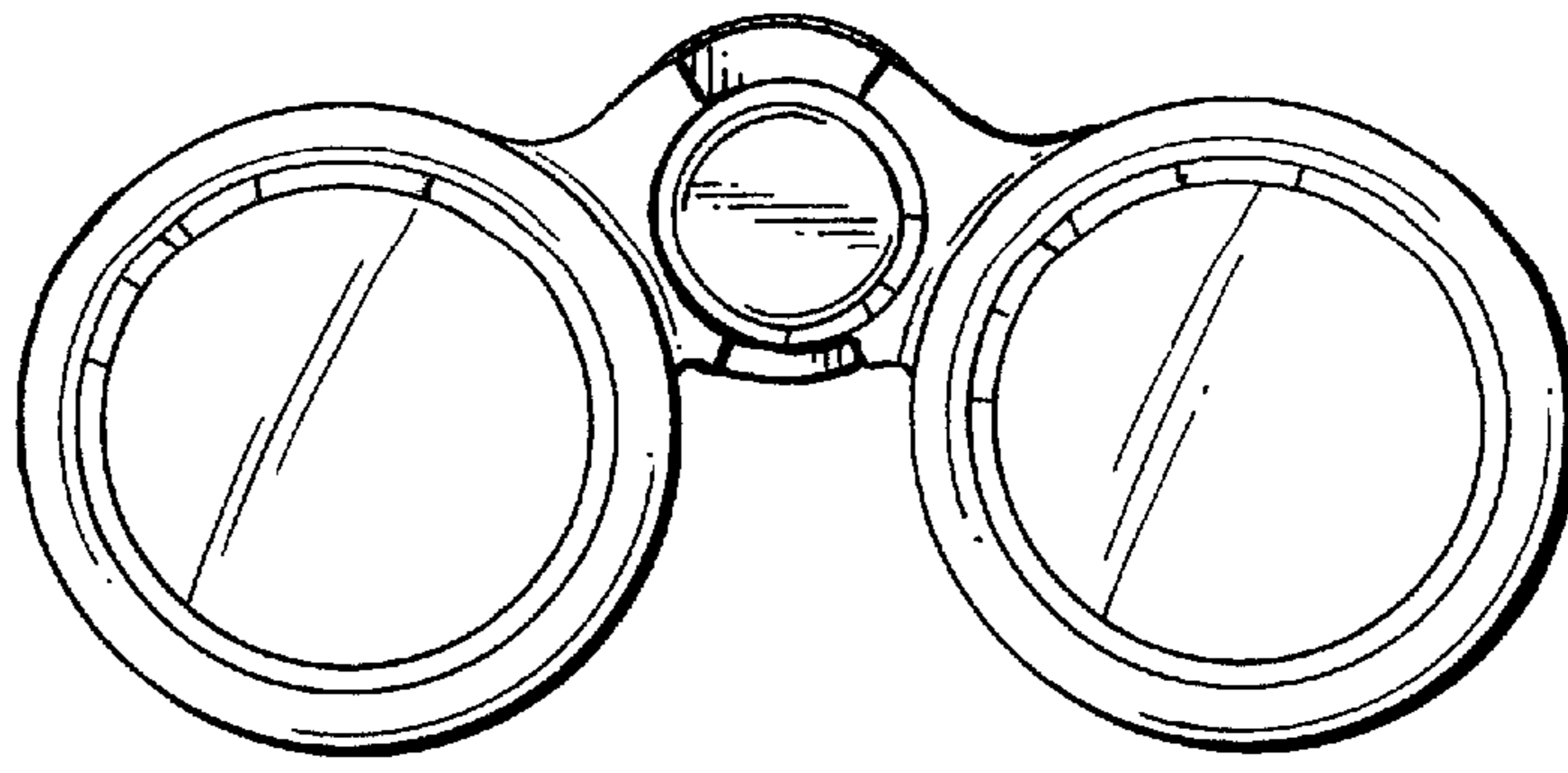


FIG. 3

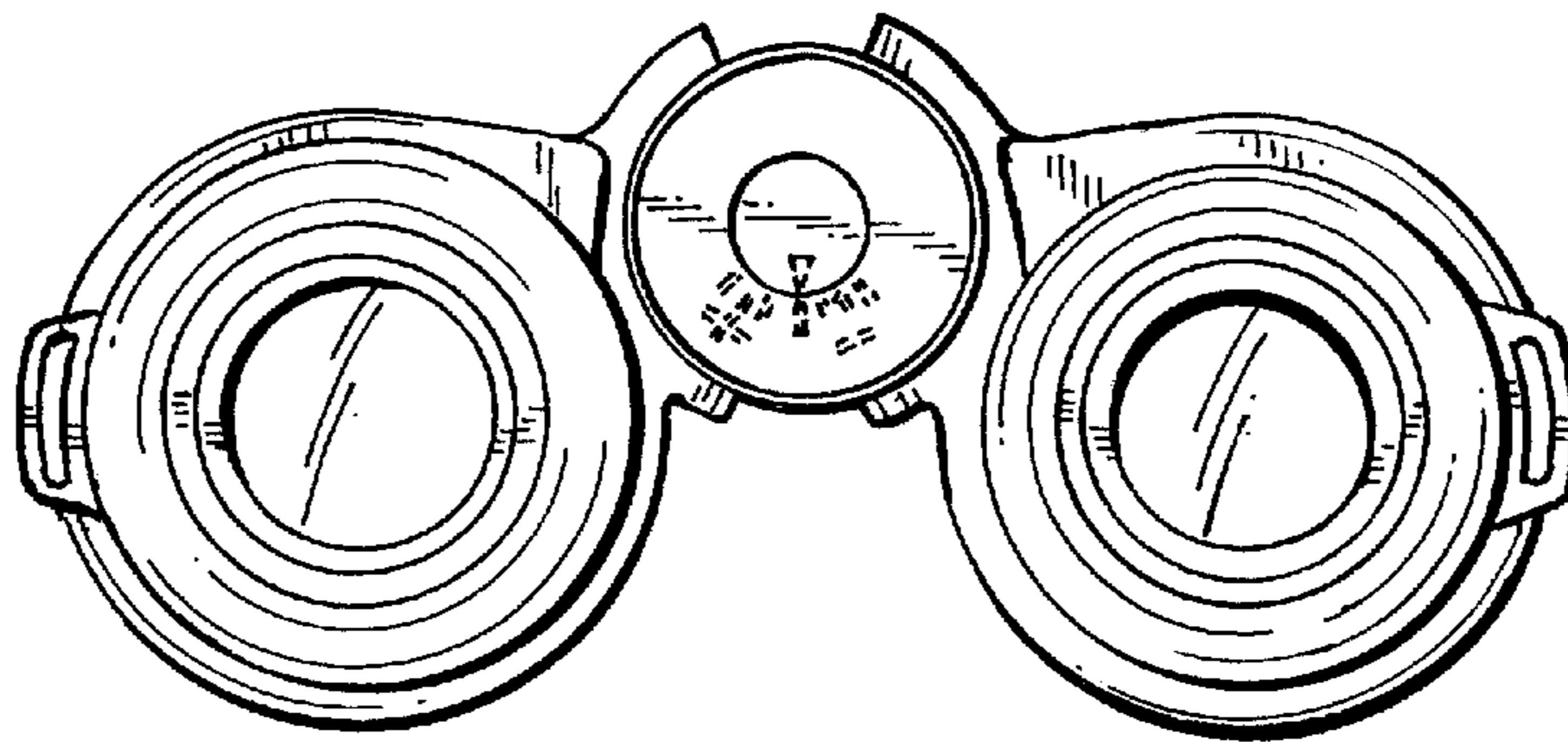


FIG. 4

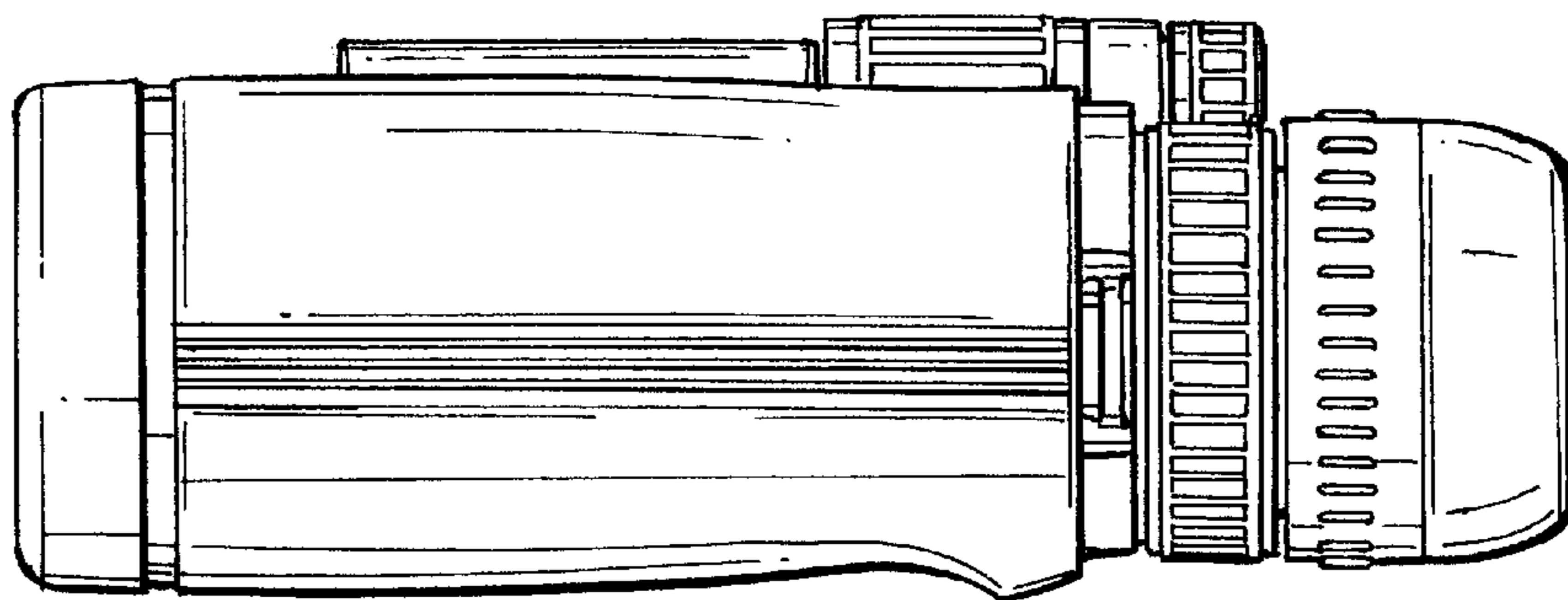


FIG. 5

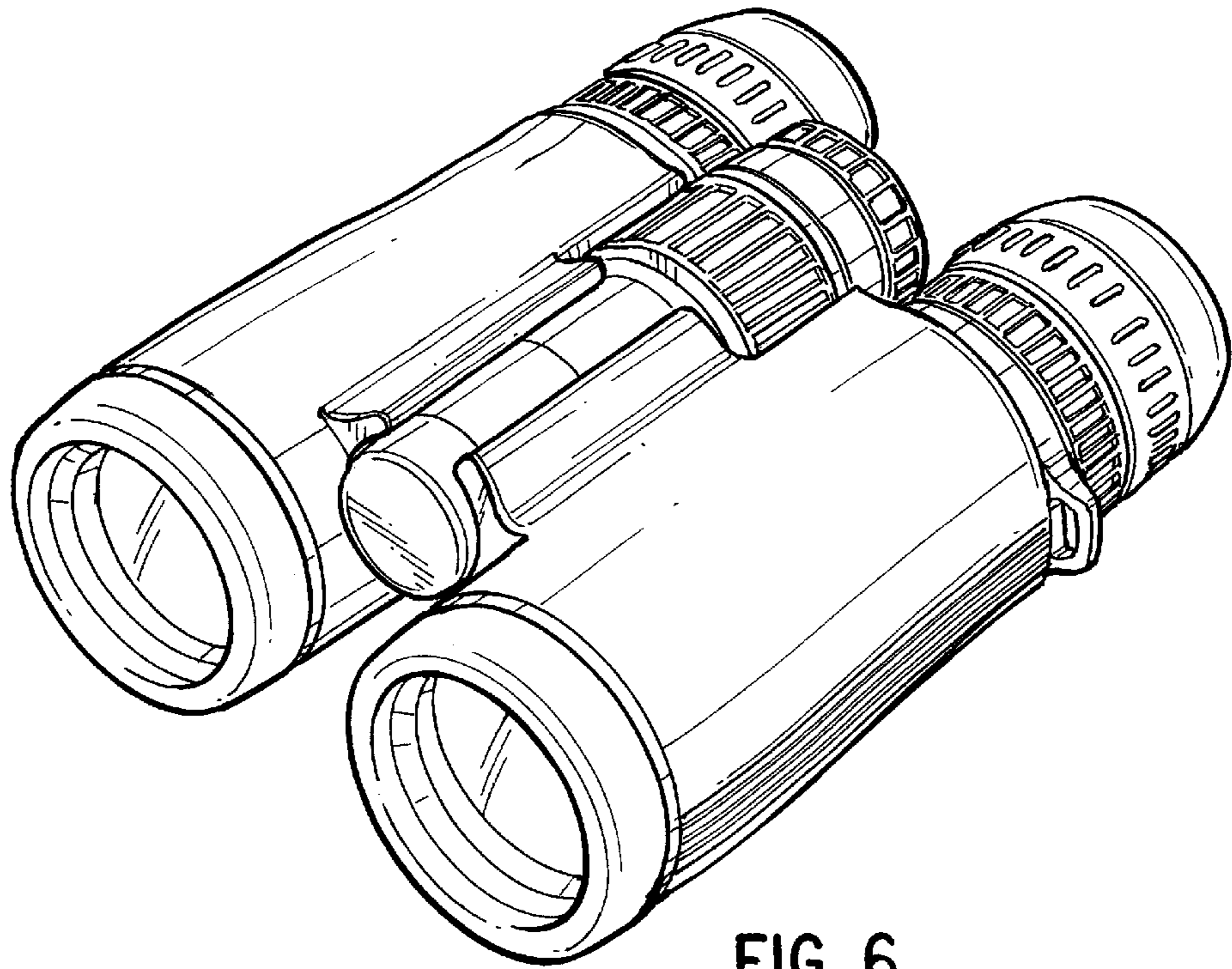


FIG. 6

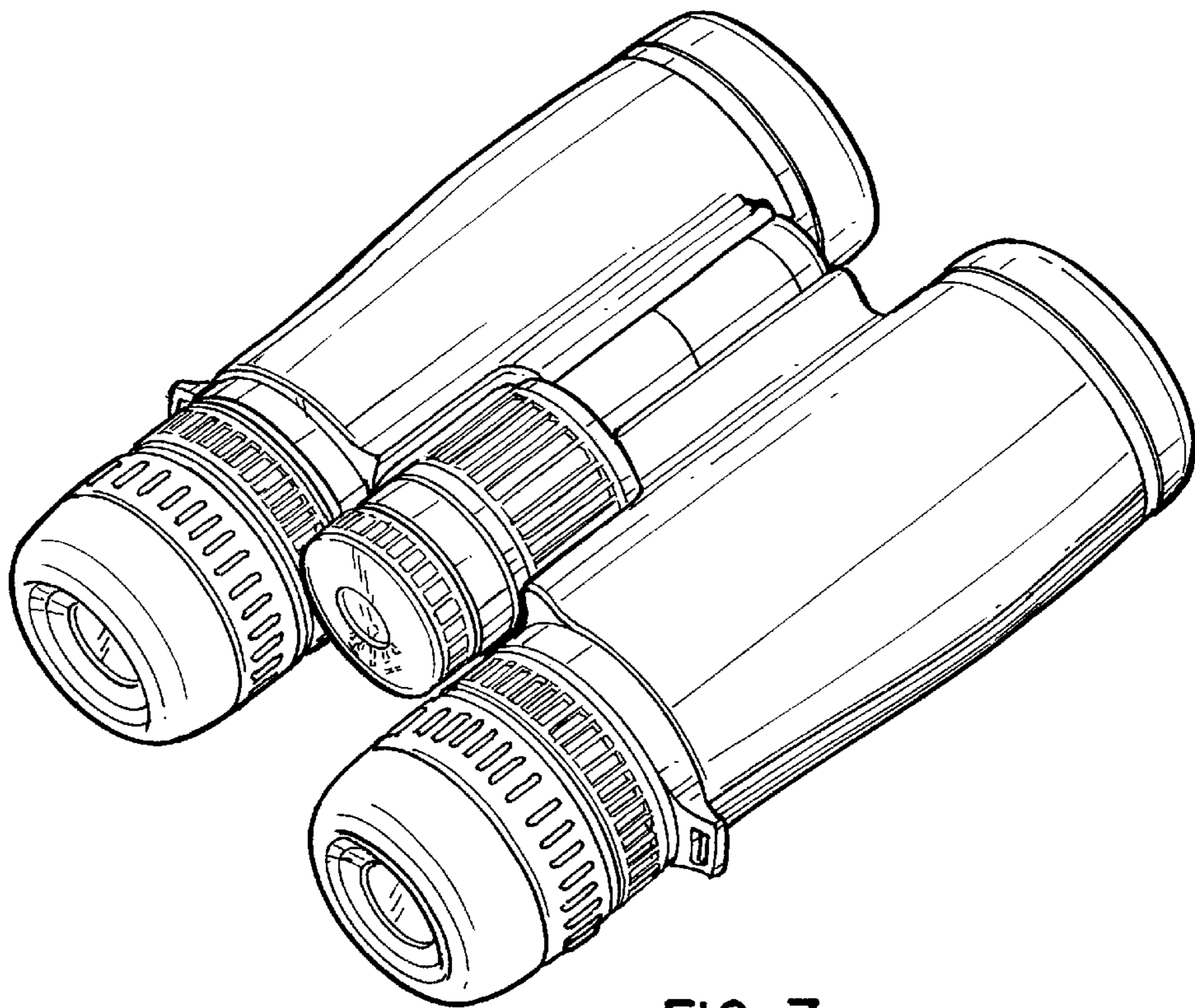


FIG. 7

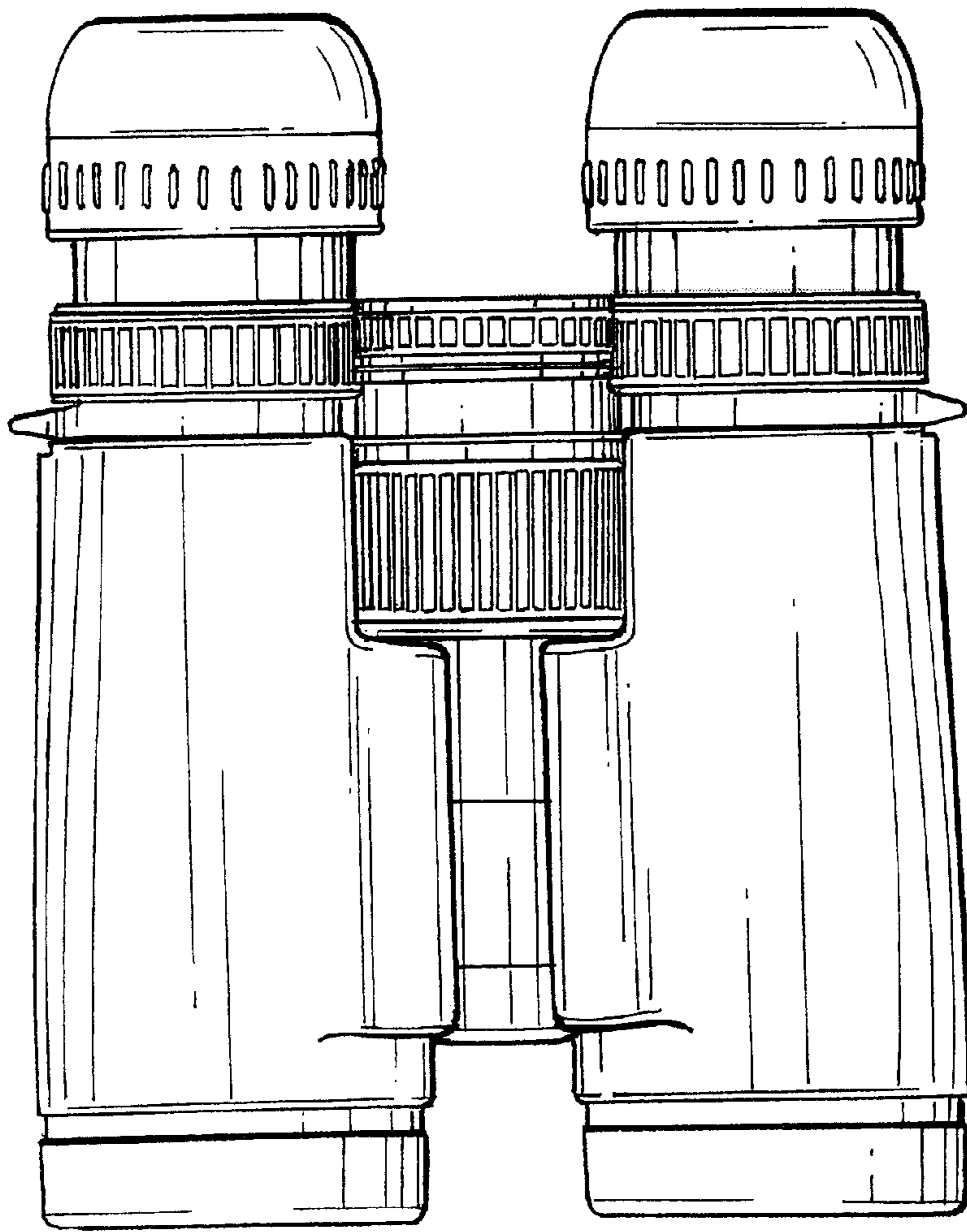


FIG. 8