



US00D470159S

(12) **United States Design Patent**
Robinson

(10) **Patent No.:** **US D470,159 S**

(45) **Date of Patent:** **** Feb. 11, 2003**

(54) **HEAT SEAL MACHINE**

6,058,834 A * 5/2000 Beckwith 100/99

* cited by examiner

(75) Inventor: **Benjamin B. Robinson**, Smithfield, PA (US)

Primary Examiner—Antoine Duval Davis

(74) *Attorney, Agent, or Firm*—Brooks & Kushman P.C.

(73) Assignee: **Stahls' Special Projects, Inc.**, Masontown, PA (US)

(57) **CLAIM**

(**) Term: **14 Years**

The ornamental design for a heat seal machine, as shown and described.

(21) Appl. No.: **29/158,389**

DESCRIPTION

(22) Filed: **Apr. 3, 2002**

FIG. 1 is a side elevation of a heat seal machine embodying my design;

(51) **LOC (7) Cl.** **15-09**

FIG. 2 is a front view of a heat seal machine embodying my design;

(52) **U.S. Cl.** **D15/145**

FIG. 3 is a rear view of a heat seal machine embodying my design;

(58) **Field of Search** D15/145, 146; 100/92, 300, 301, 233, 315-325, 912, 99; 219/227, 243, 245-259; 156/583.8, 583.9

FIG. 4 is a top view of a heat seal machine embodying my design;

(56) **References Cited**

FIG. 5 is a bottom view of a heat seal machine embodying my design; and,

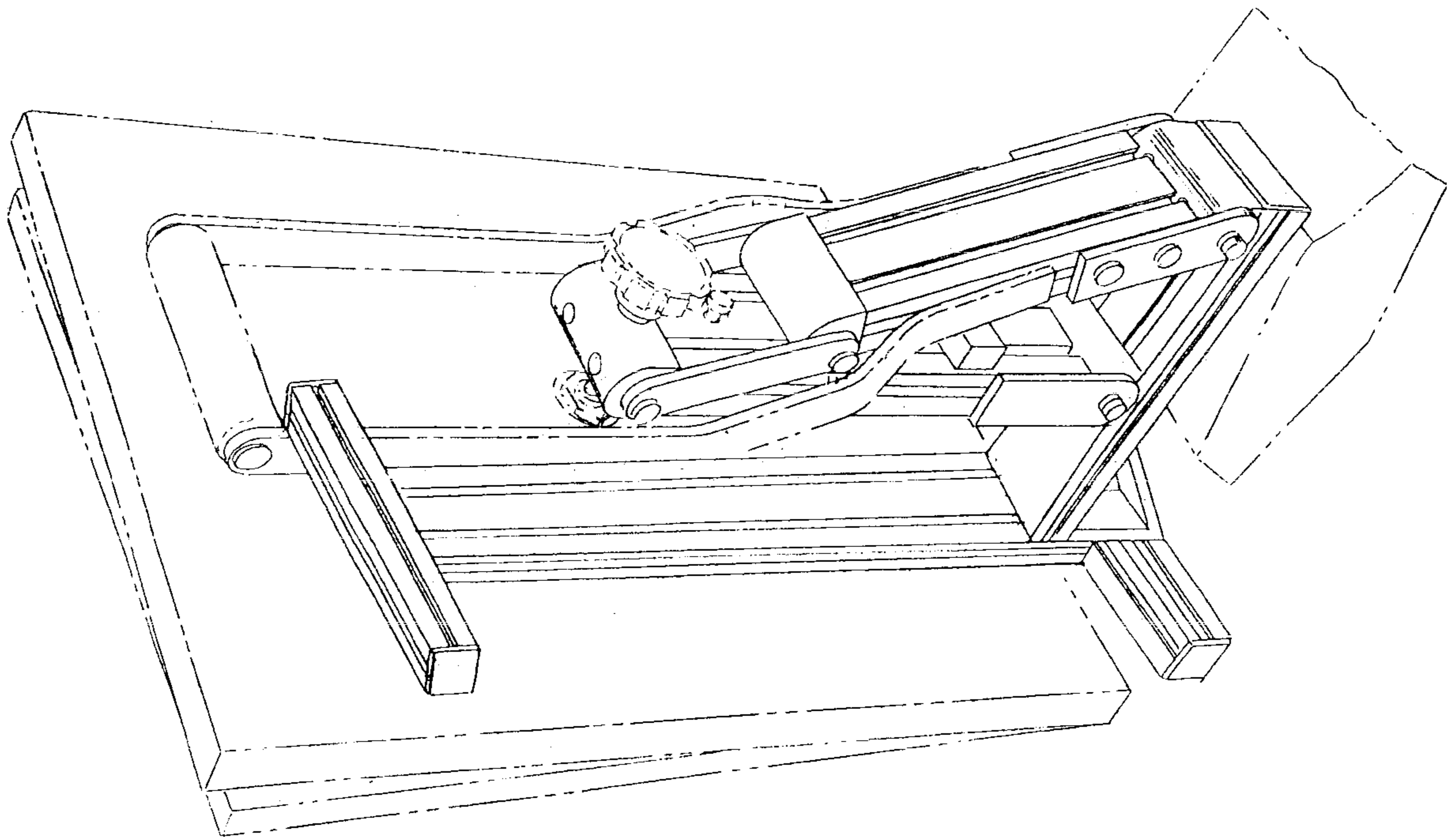
U.S. PATENT DOCUMENTS

FIG. 6 is a perspective view of a heat seal machine embodying my design.

- 4,004,503 A * 1/1977 Dwyer
- D250,340 S * 11/1978 Douglas
- 4,172,750 A * 10/1979 Giulie
- D340,730 S * 10/1993 Myers
- 5,435,883 A * 7/1995 Myers 156/583.9

The broken lines in the several figures of the drawings are for illustrative purposes only and form no part of the claimed design.

1 Claim, 5 Drawing Sheets



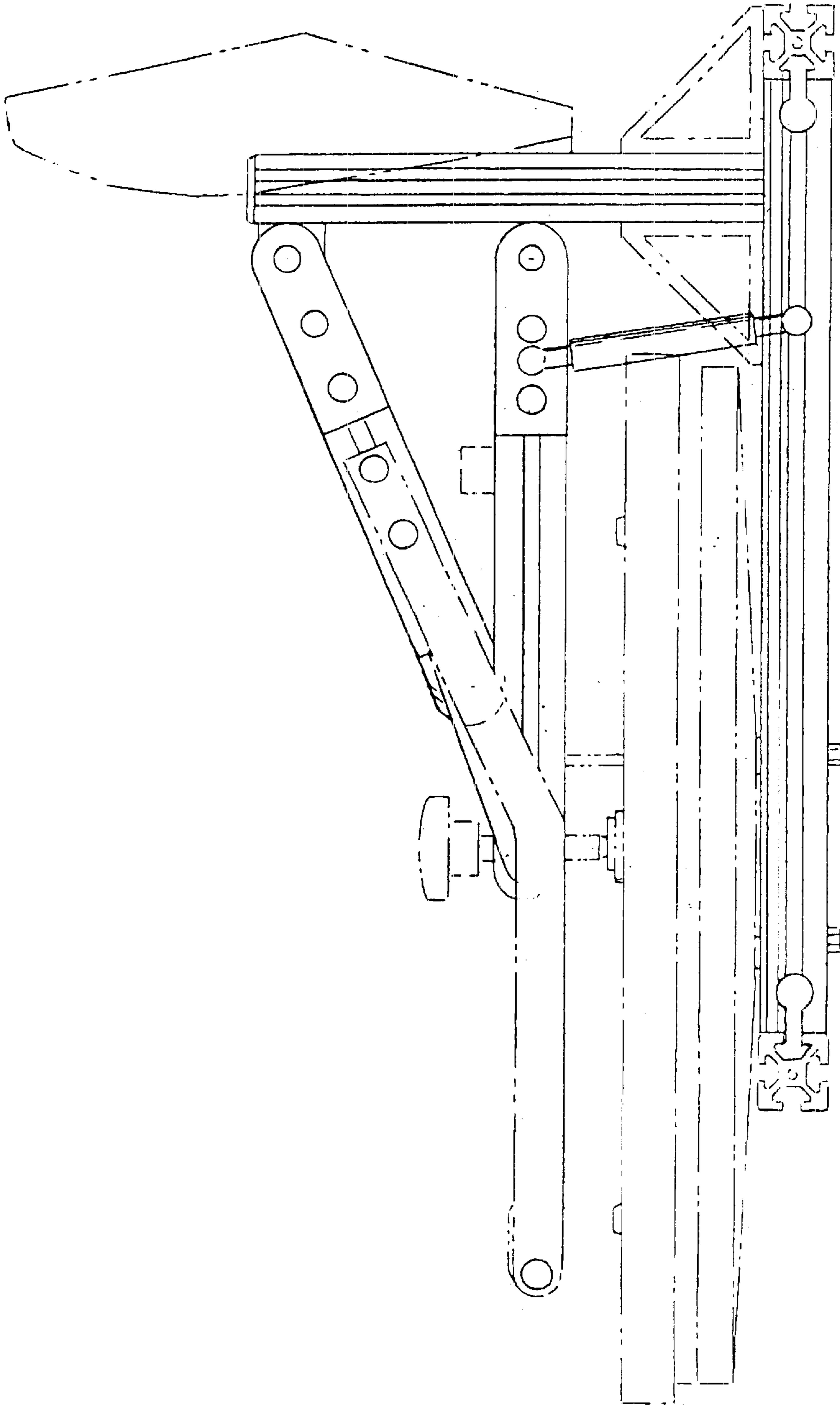
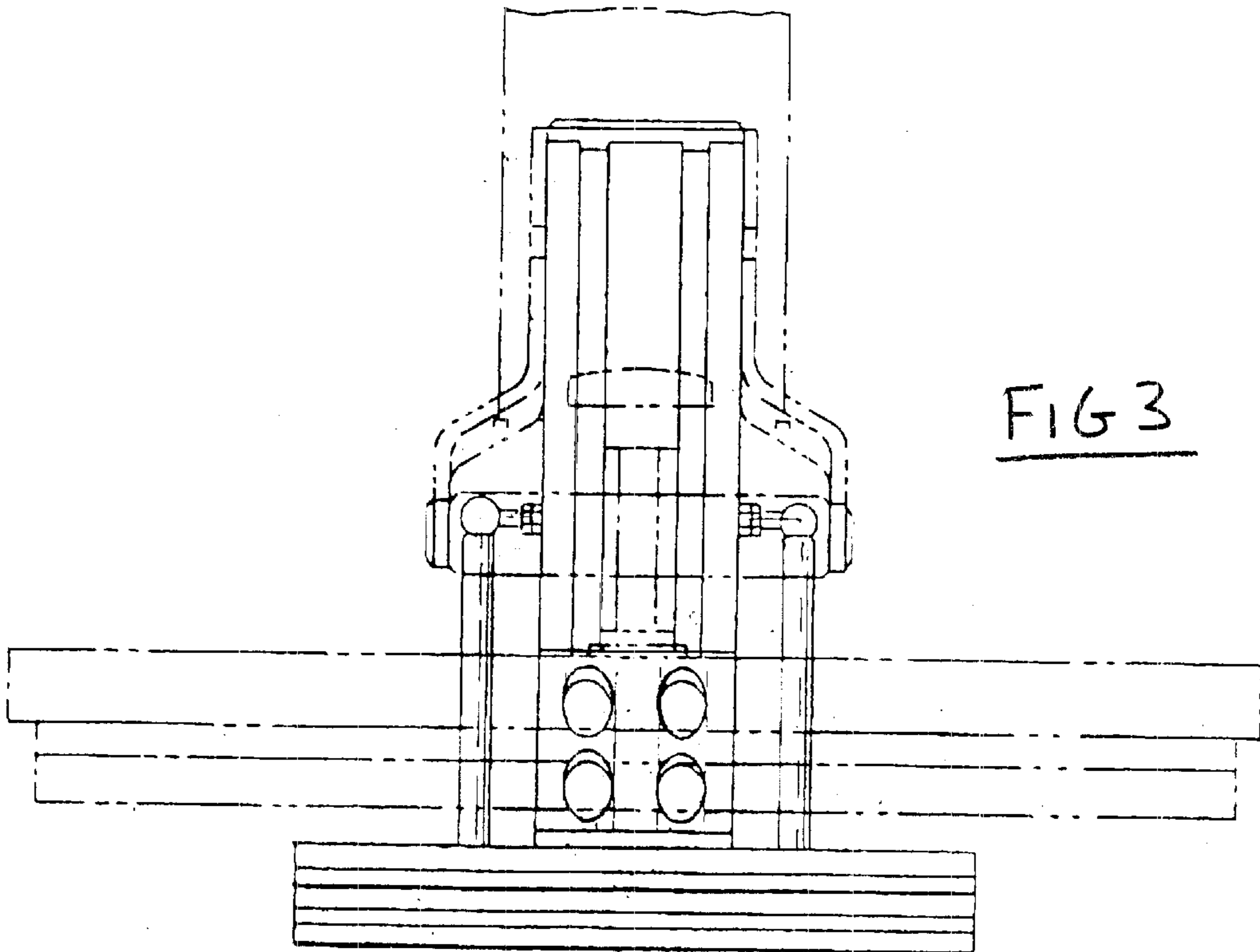
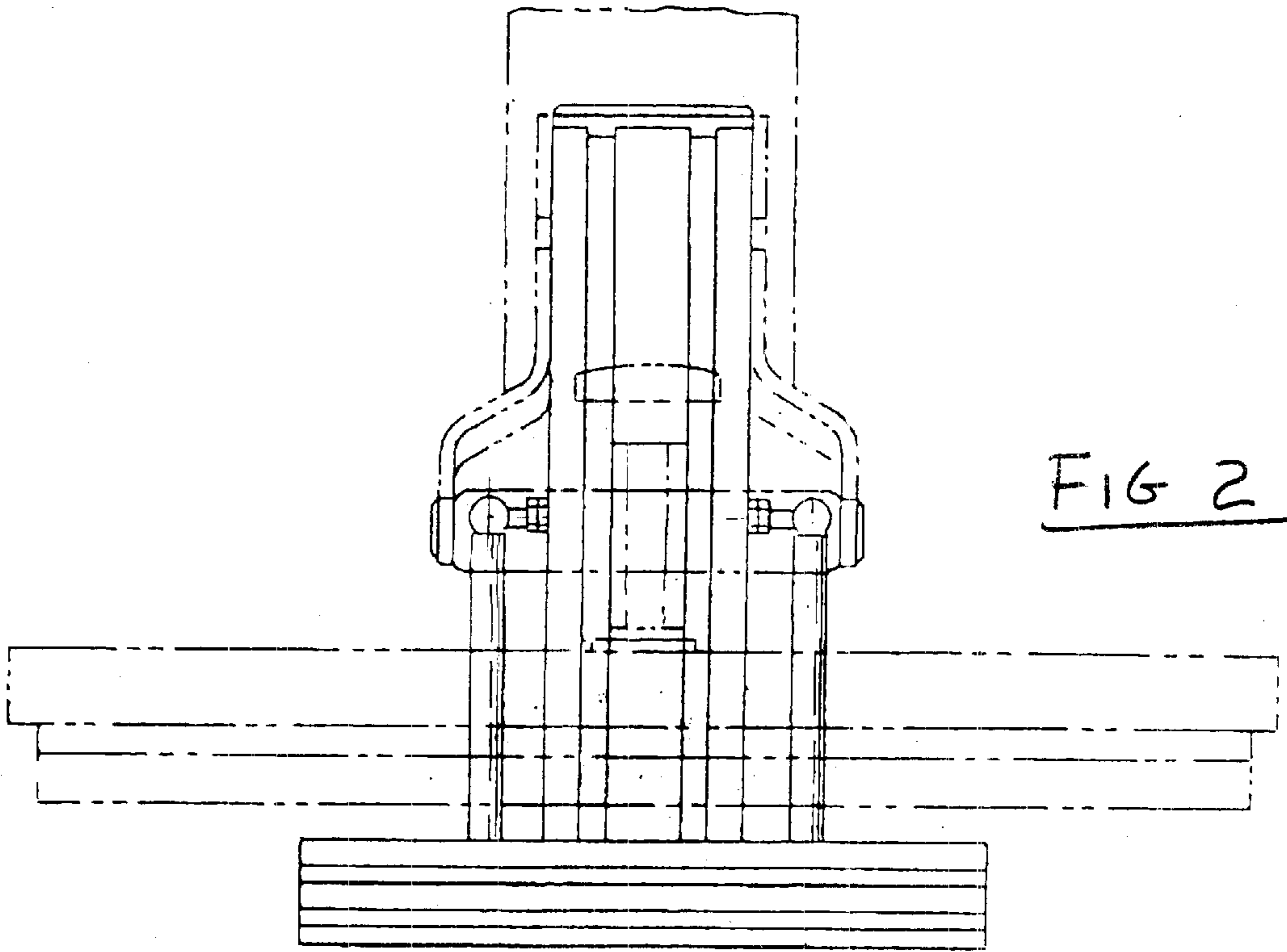
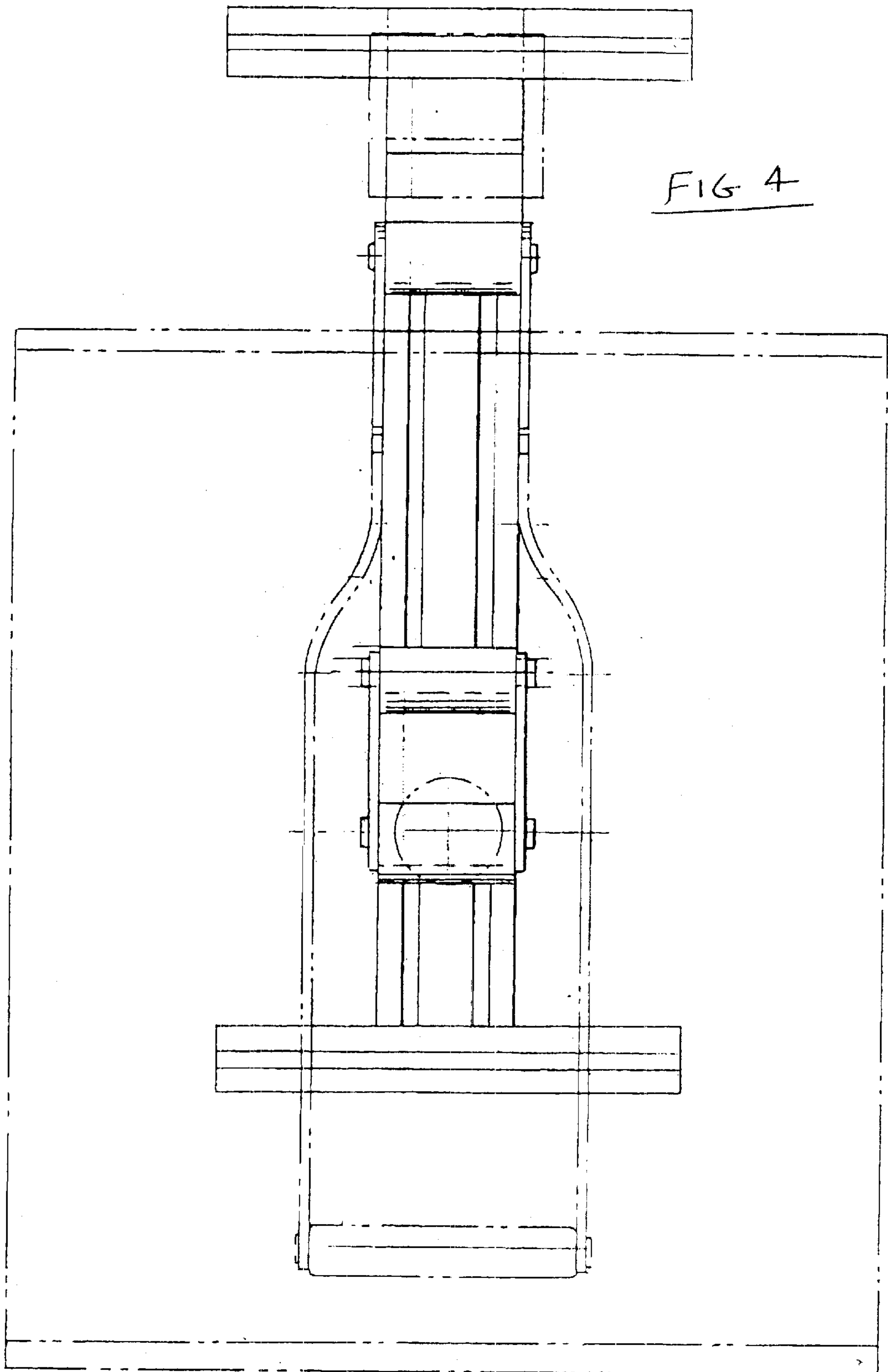
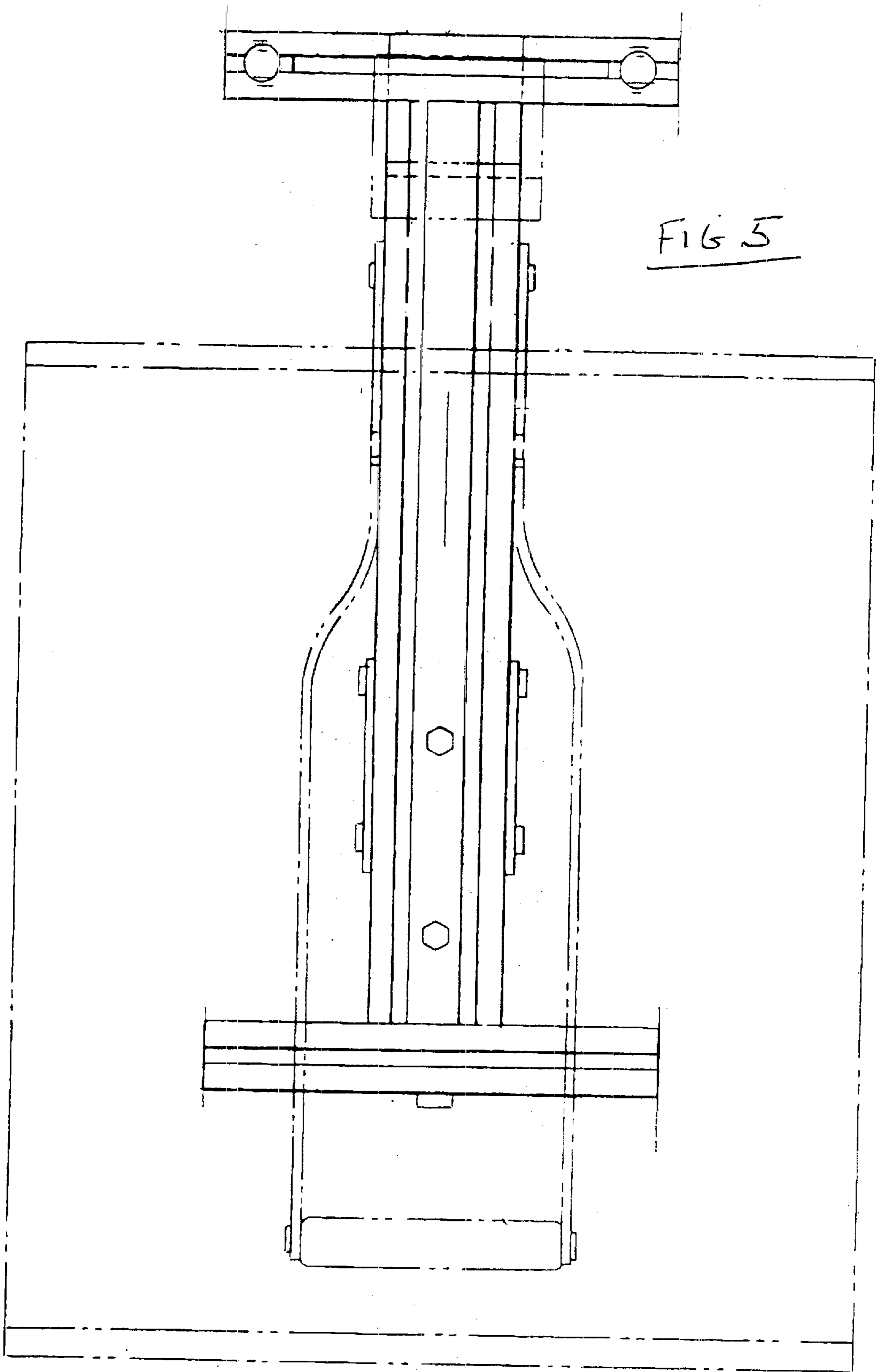


FIG 1







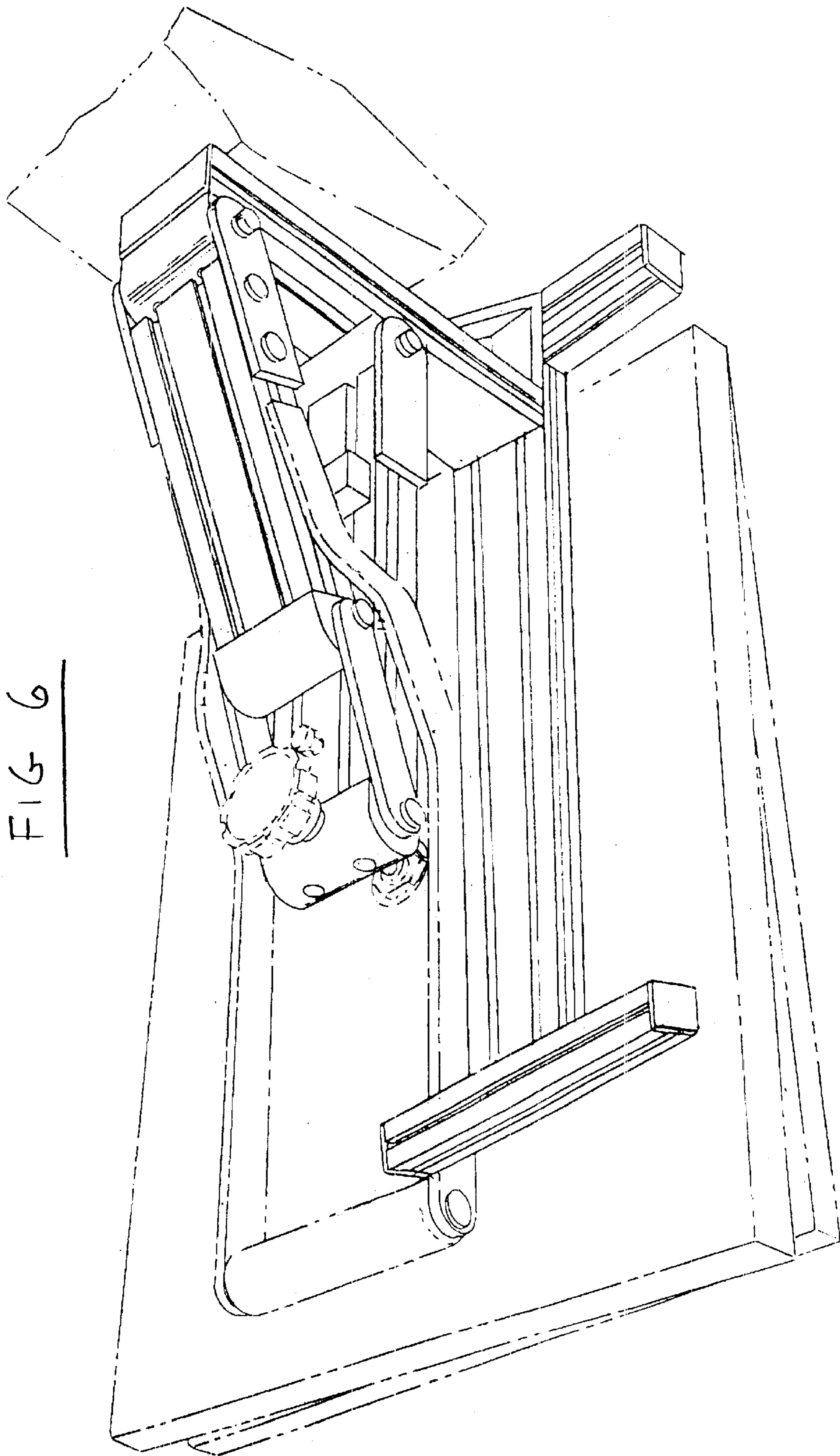


FIG 6