



US00D470158S

(12) **United States Design Patent**
English

(10) **Patent No.:** **US D470,158 S**

(45) **Date of Patent:** **** Feb. 11, 2003**

(54) **CHOP SAW TABLE**

(76) **Inventor:** **Timothy G. English**, 2317 Wynwood Dr., Jonesborough, TN (US) 37659

(**) **Term:** **14 Years**

(21) **Appl. No.:** **29/152,782**

(22) **Filed:** **Jan. 2, 2002**

(51) **LOC (7) Cl.** **15-09**

(52) **U.S. Cl.** **D15/133**

(58) **Field of Search** D6/480, 484, 486, D6/495; D15/133; 144/286.1, 286.5, 287

(56) **References Cited**

U.S. PATENT DOCUMENTS

- 5,725,037 A * 3/1998 Faulhaber 144/285
- 5,937,924 A * 8/1999 Cooper 144/286.5

* cited by examiner

Primary Examiner—Antoine Duval Davis
(74) *Attorney, Agent, or Firm*—R. L. Mikesell

(57) **CLAIM**

The ornamental design for a chop saw table, as shown and described.

DESCRIPTION

FIG. 1 Top front left perspective view.

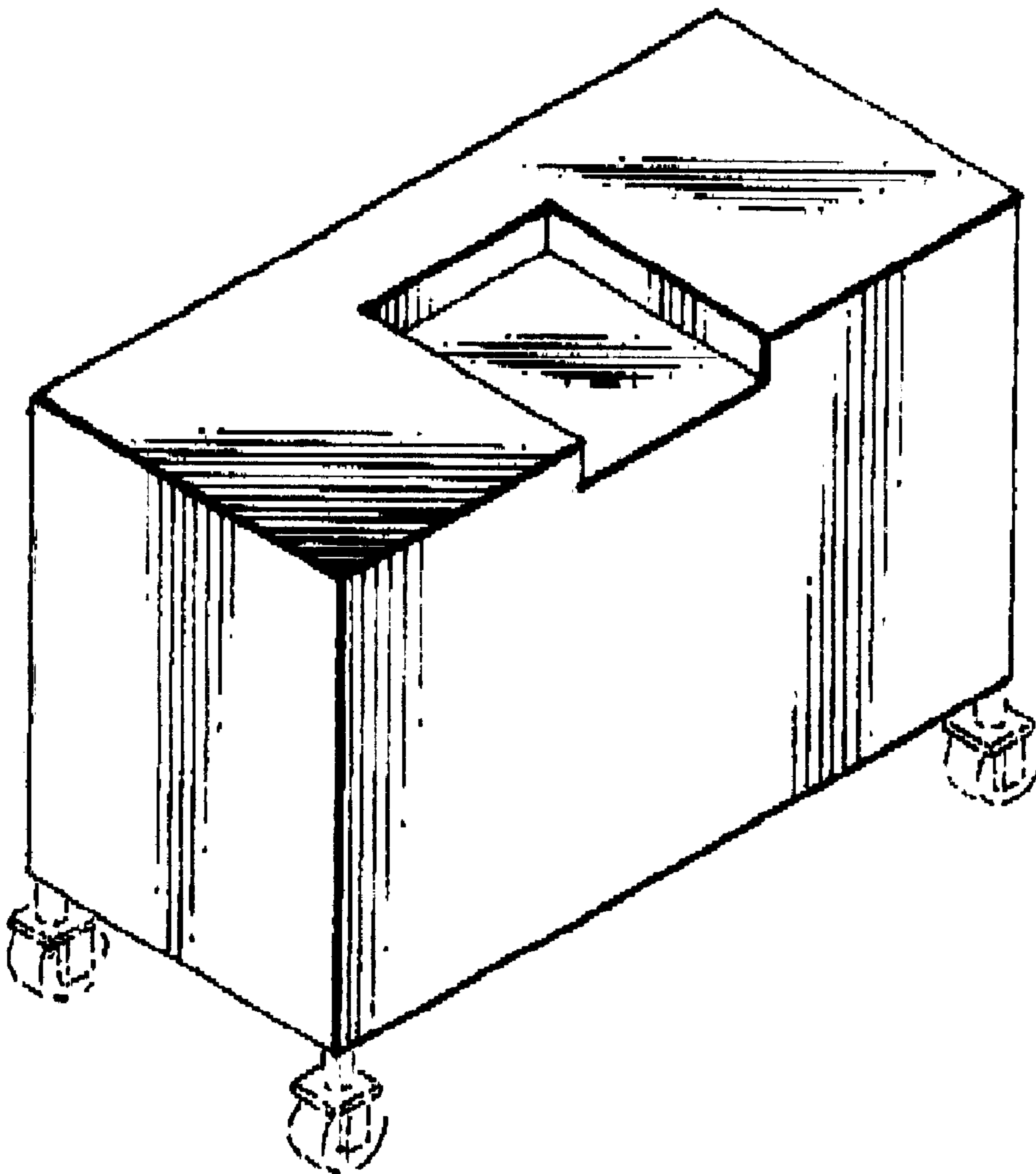
FIG. 2 Top rear right perspective view

FIG. 3 Bottom view; and,

FIG. 4 Side view.

The broken line showing is for illustrative purposes only and forms no part of the claimed design.

1 Claim, 1 Drawing Sheet



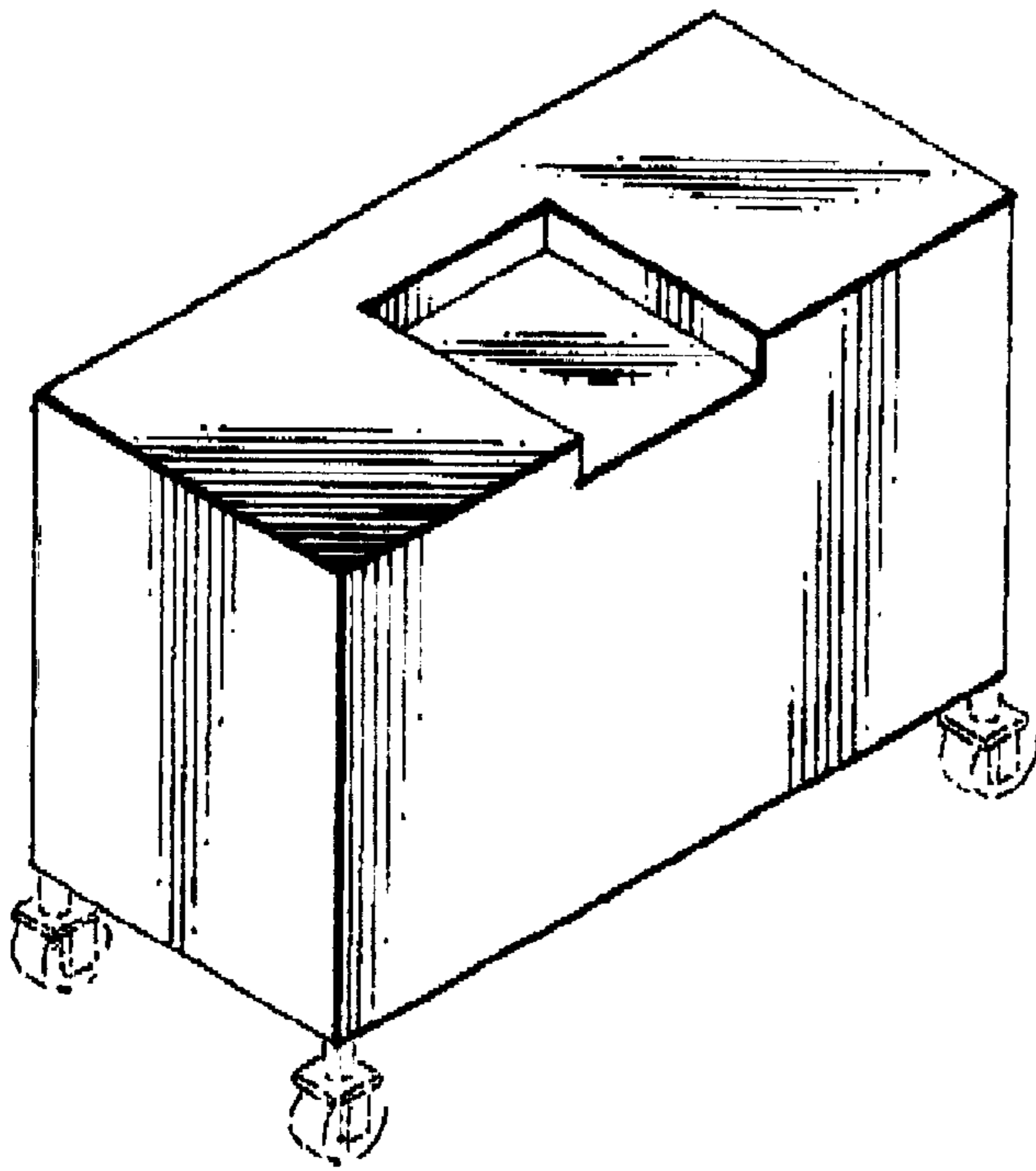


FIG. 1

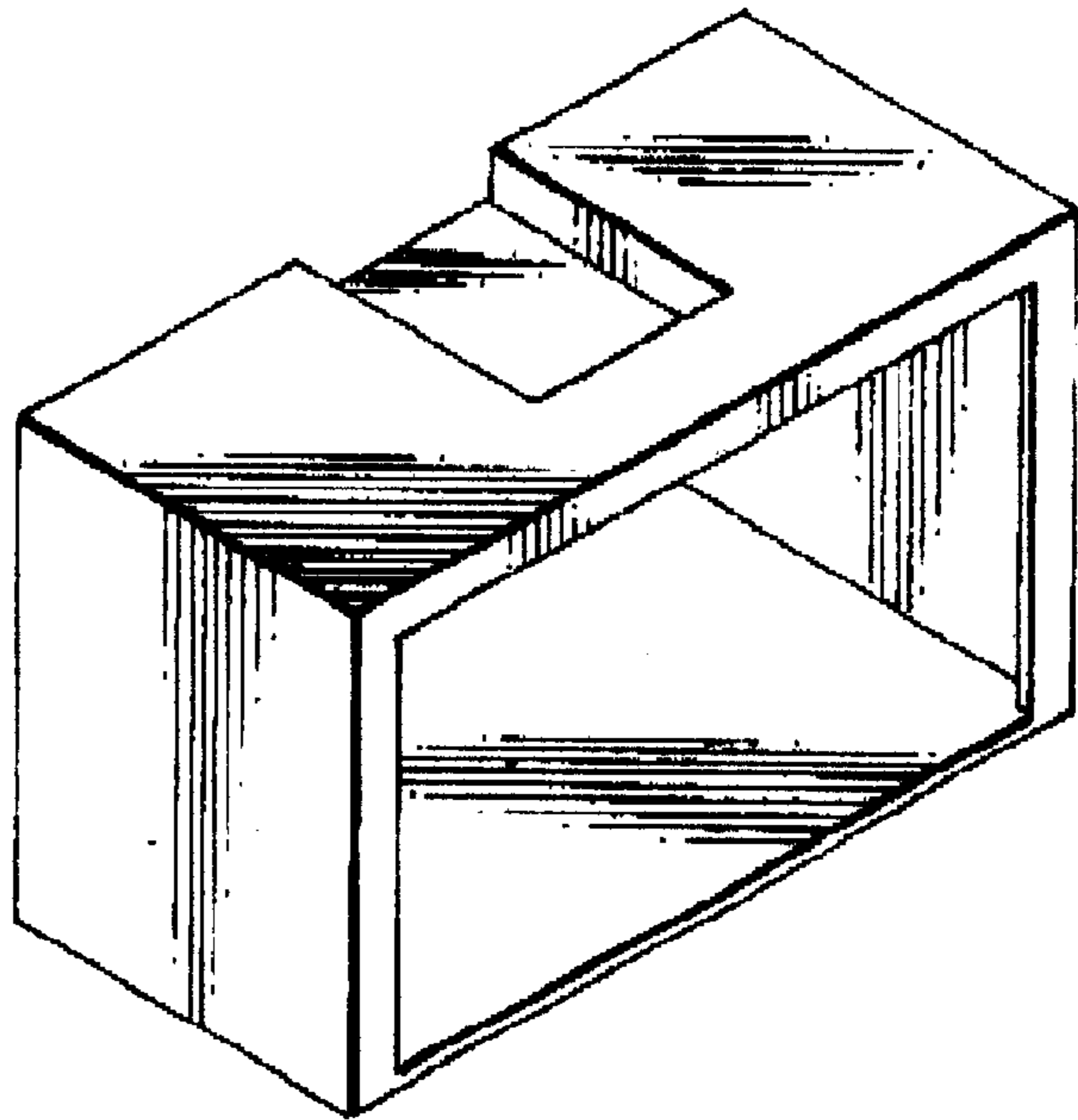


FIG. 2

FIG. 3

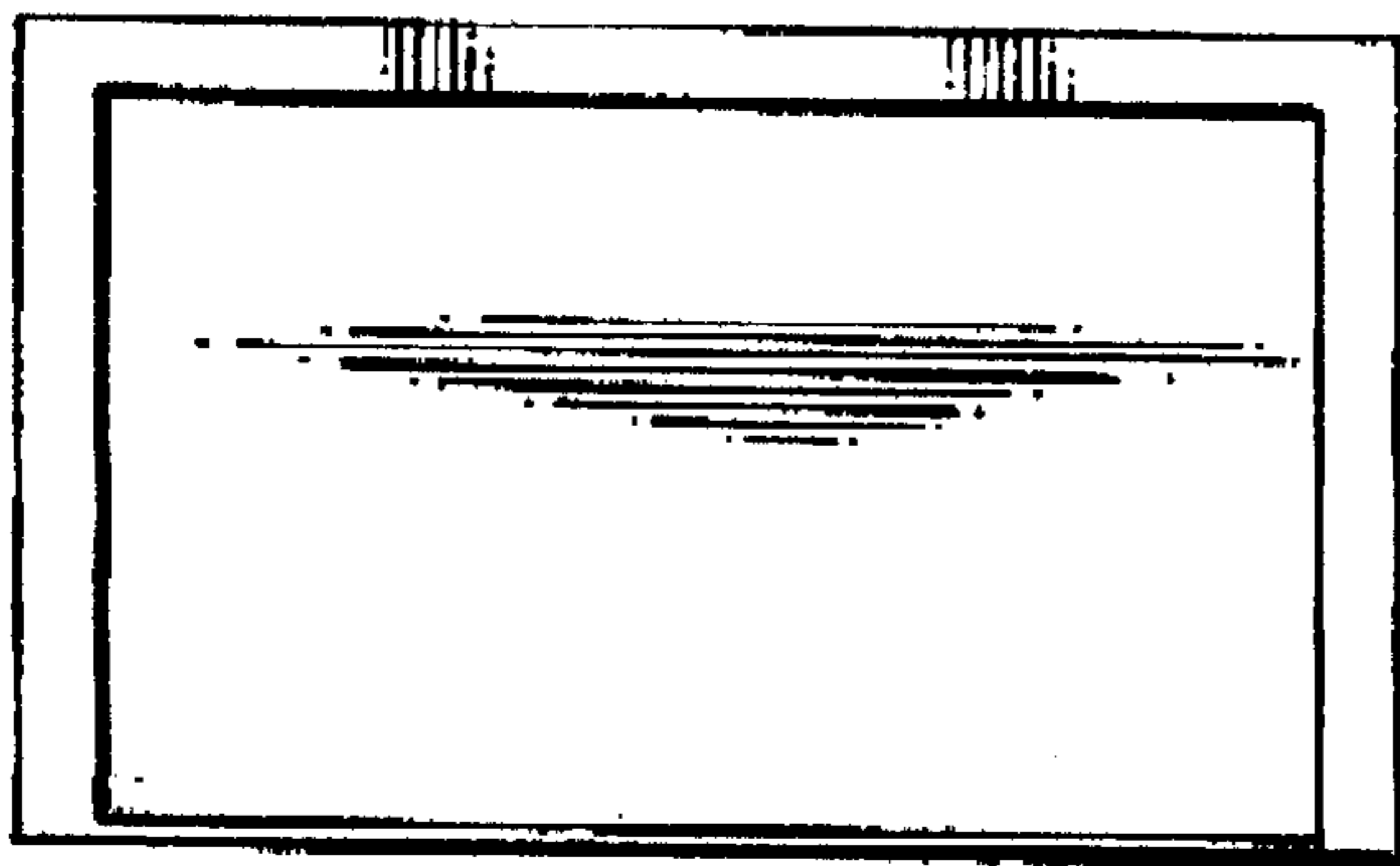


FIG. 4

