



US00D470149S

(12) **United States Design Patent**
West

(10) **Patent No.:** **US D470,149 S**

(45) **Date of Patent:** **** Feb. 11, 2003**

(54) **DATA PROCESSOR SUPPORT**

D413,110 S * 8/1999 Sweere et al. D14/447
D457,527 S * 5/2002 Manuel et al. D14/447

(76) Inventor: **Jefferson Blake West**, 4517 Avenue B,
Austin, TX (US) 78751

* cited by examiner

(**) Term: **14 Years**

Primary Examiner—Kay H. Chin

(21) Appl. No.: **29/153,434**

(74) *Attorney, Agent, or Firm*—Brian F. Russell; Bracewell
& Patterson, L.L.P.

(22) Filed: **Jan. 8, 2002**

(57) **CLAIM**

(51) **LOC (7) Cl.** **14-02**

The ornamental design for a data processor support, as
shown and described.

(52) **U.S. Cl.** **D14/447; D19/91**

(58) **Field of Search** D6/300, 310, 512,
D6/513; D19/91; 248/460, 462, 463, 464,
465, 459, 121; 281/45; D14/447

DESCRIPTION

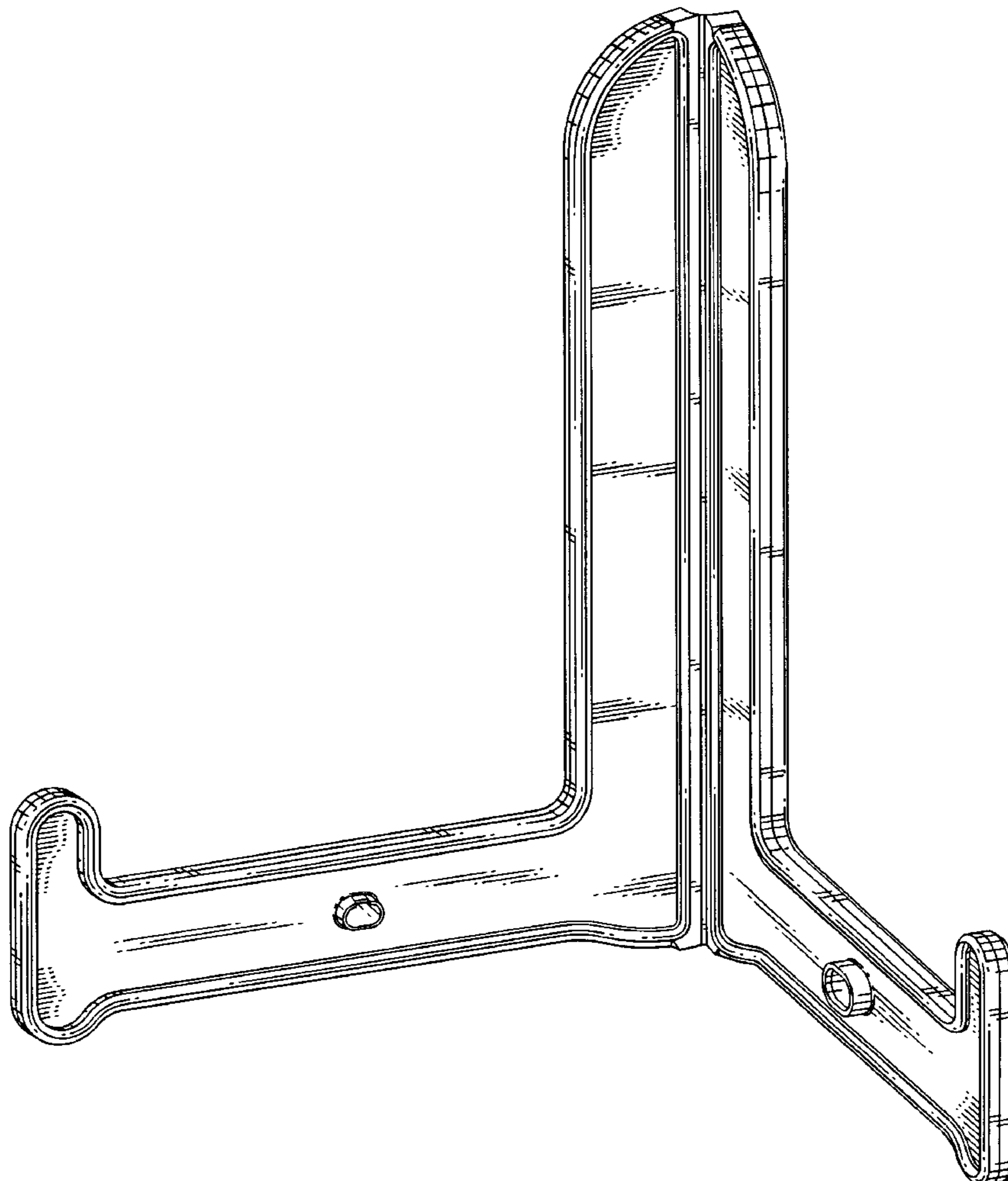
(56) **References Cited**

U.S. PATENT DOCUMENTS

D265,873 S * 8/1982 Smith D6/310
D266,461 S * 10/1982 Helzer D6/310
D324,300 S * 3/1992 Yasuhara et al. D6/310
D394,160 S * 5/1998 Yarbrough D6/310

FIG. 1 is a rear perspective view of a data processor support
showing my new design;
FIG. 2 is a front elevation view thereof;
FIG. 3 is a top view thereof;
FIG. 4 is a bottom view thereof; and,
FIG. 5 is a left side view thereof in a fully closed position.

1 Claim, 5 Drawing Sheets



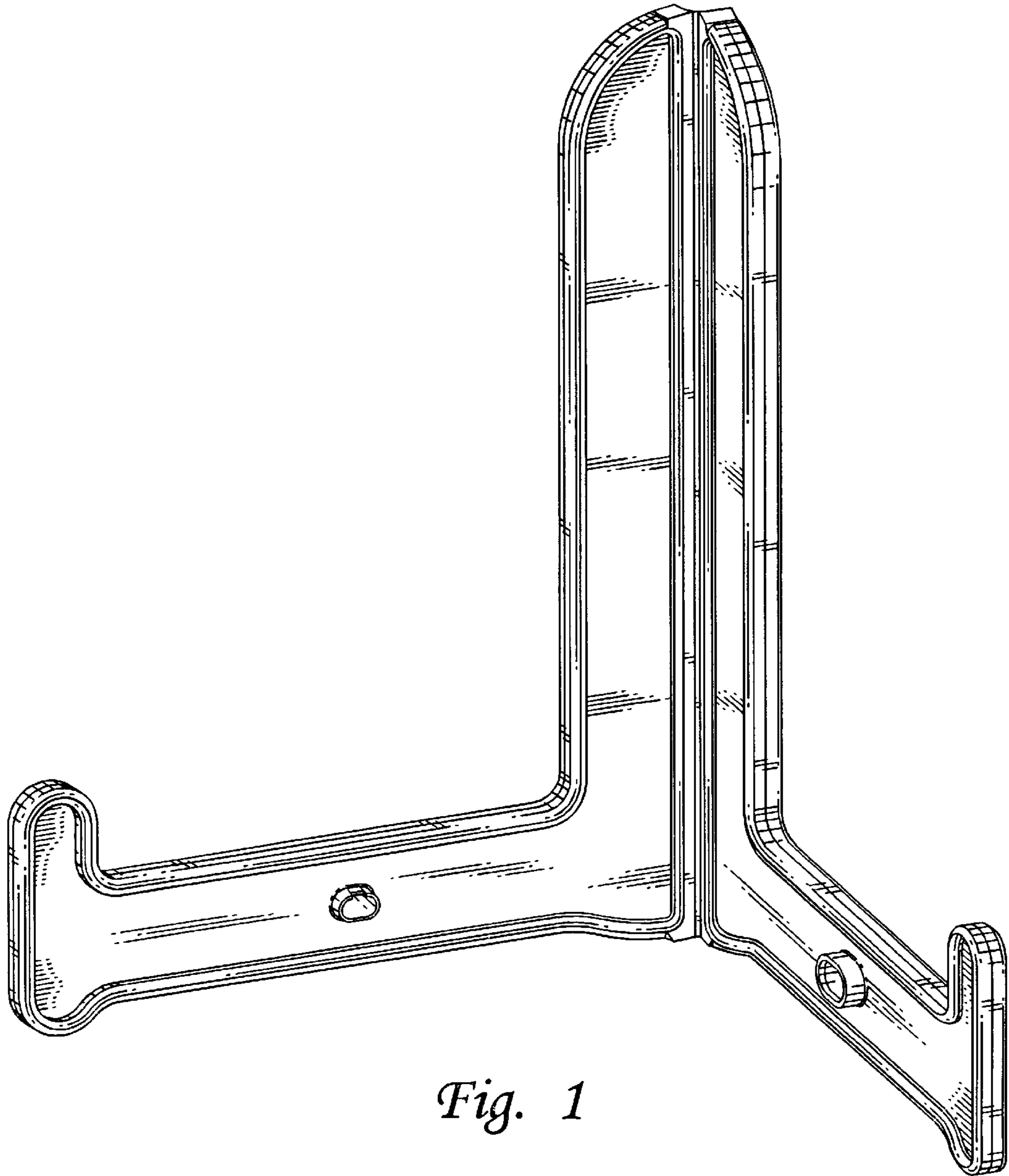


Fig. 1

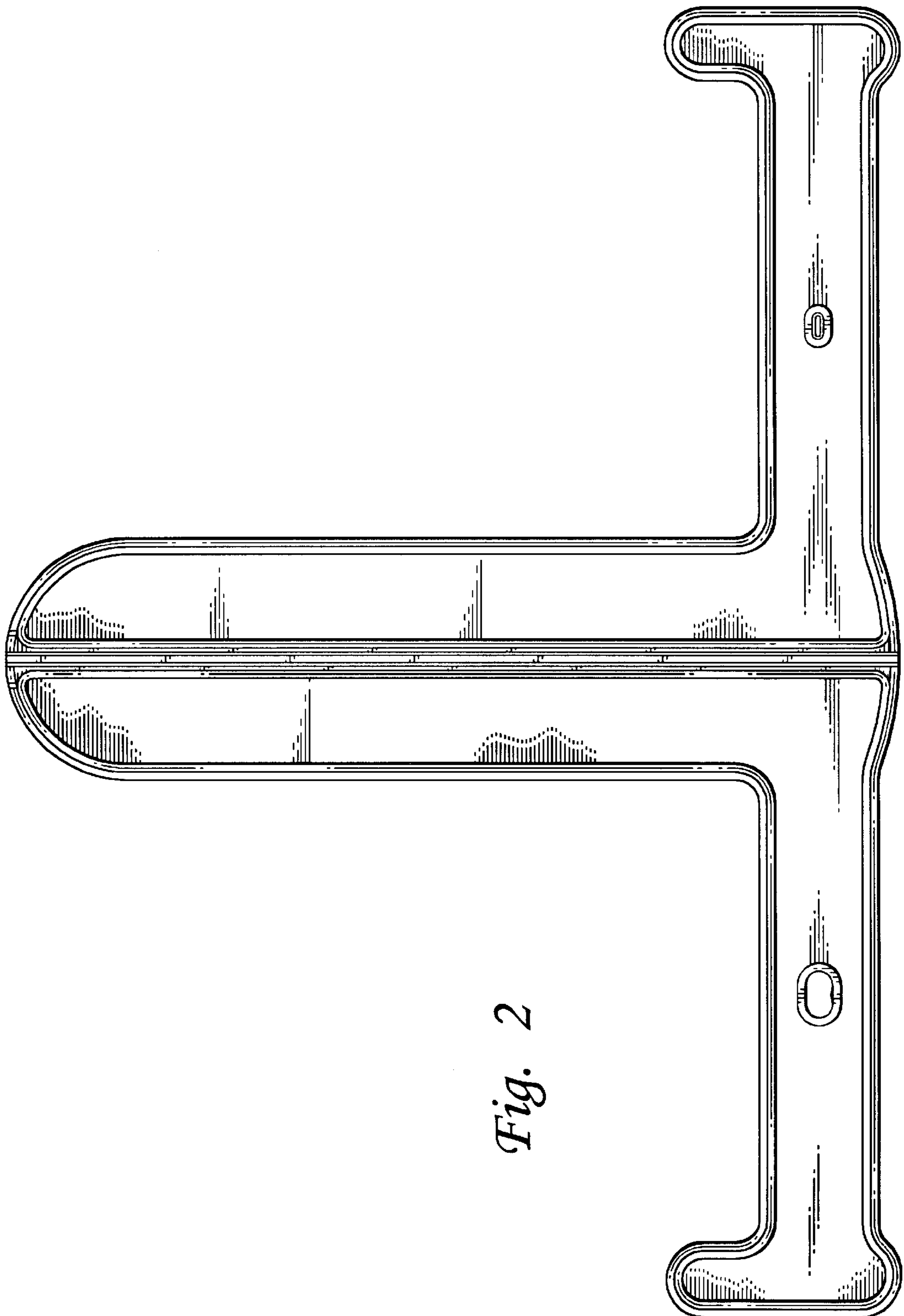


Fig. 2

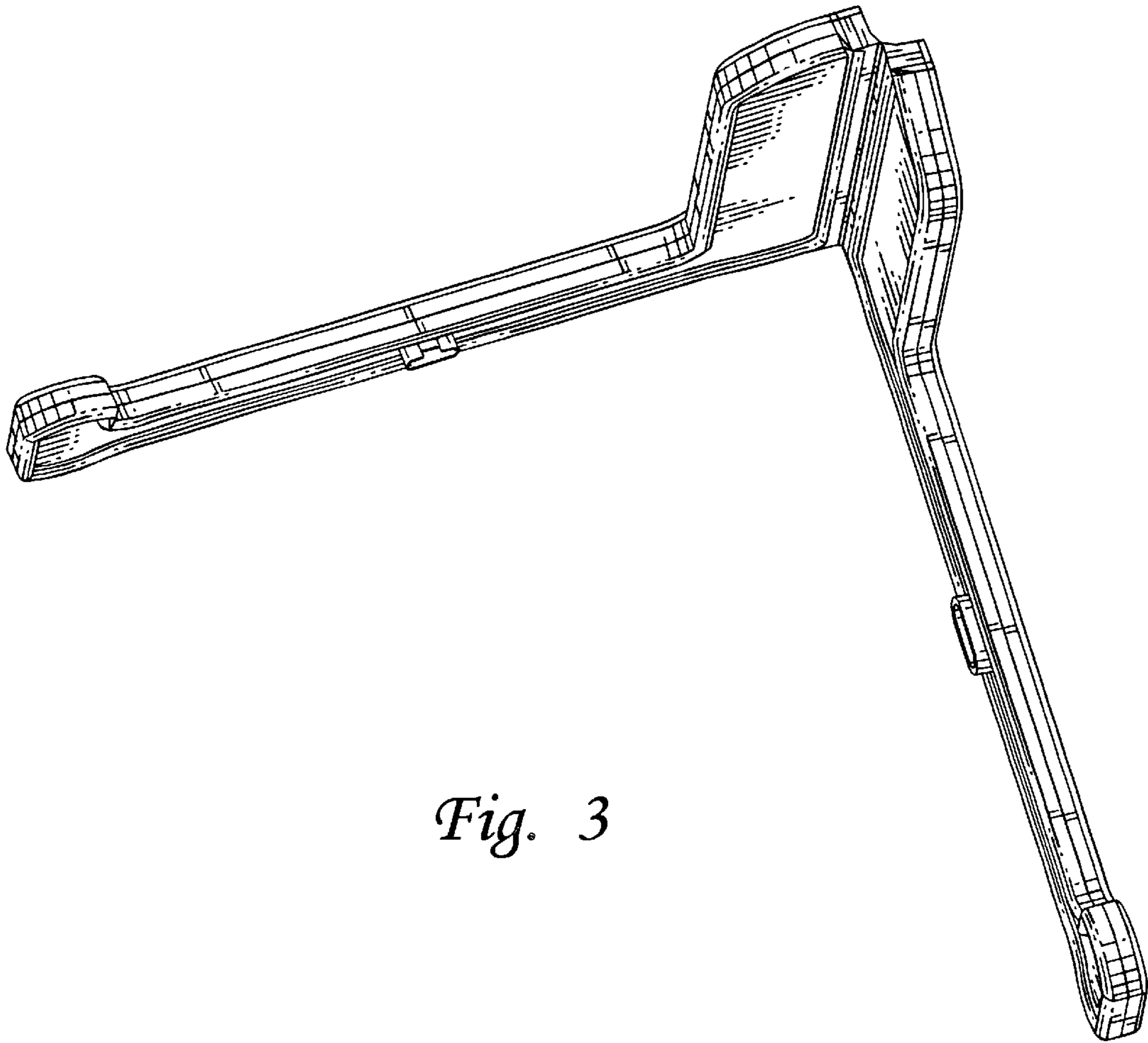


Fig. 3

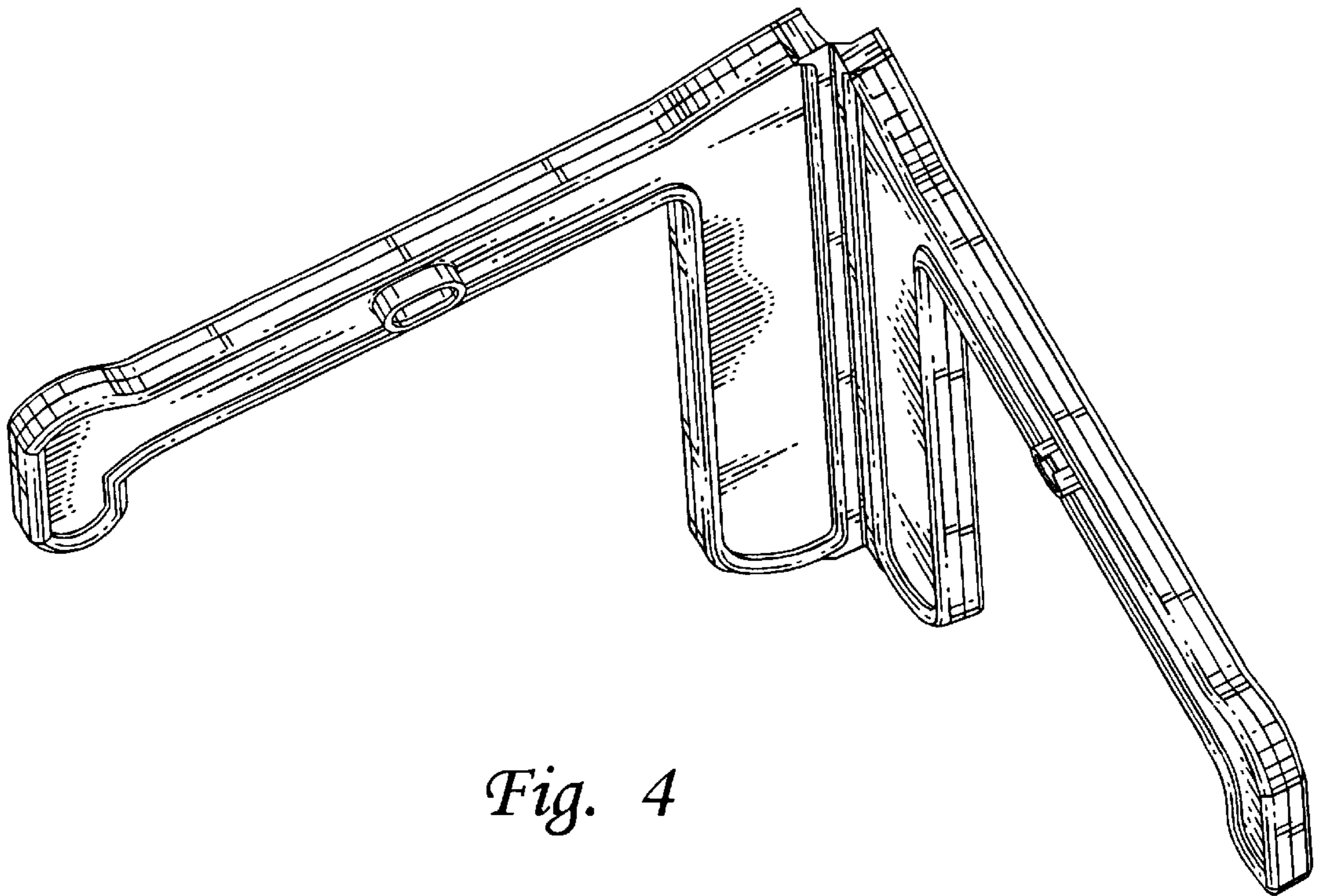


Fig. 4

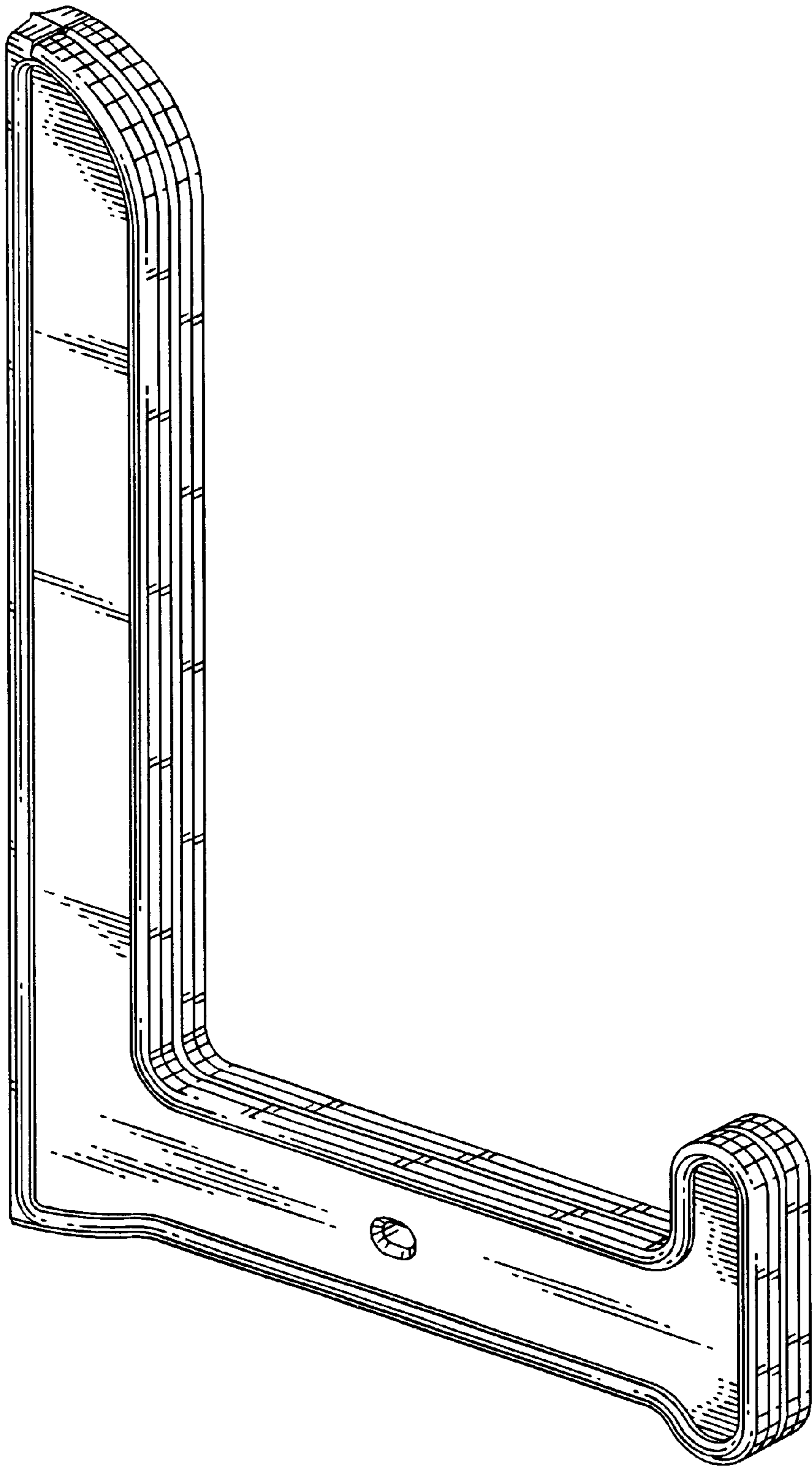


Fig. 5