



US00D470148S

(12) **United States Design Patent**
Nishio et al.

(10) **Patent No.:** **US D470,148 S**

(45) **Date of Patent:** **** Feb. 11, 2003**

(54) **ELECTRICAL CONNECTOR FOR A MEMORY CARD**

D434,731 S * 12/2000 Wu D13/147
D434,732 S * 12/2000 Wu D13/147

(75) Inventors: **Atsushi Nishio**, Ibaraki-ken (JP);
Takashi Kawasaki, Ibaraki-ken (JP);
Kazuhiro Okazaki, Ibaraki-ken (JP)

FOREIGN PATENT DOCUMENTS

JP 901283 6/1994

* cited by examiner

(73) Assignee: **Mitsumi Electric Co., Ltd.**, Tokyo (JP)

Primary Examiner—Kay H. Chin

(**) Term: **14 Years**

(74) *Attorney, Agent, or Firm*—Sughrue Mion, PLLC

(21) Appl. No.: **29/162,296**

(57) **CLAIM**

(22) Filed: **Jun. 14, 2002**

The ornamental design for an electrical connector for a memory card, as shown.

(30) **Foreign Application Priority Data**

Dec. 17, 2001 (JP) 2001-037024

DESCRIPTION

(51) **LOC (7) Cl.** **14-02**

FIG. 1 is a perspective view of the top, front and right side of an electrical connector for a memory card showing our new design;

(52) **U.S. Cl.** **D14/433; D13/147**

FIG. 2 is a front elevational view thereof;

(58) **Field of Search** D14/432, 433,
D14/434, 435; D13/146, 147; 439/159,
160, 607-610; 369/291, 292

FIG. 3 is a top plan view thereof;

FIG. 4 is a rear elevational view thereof;

FIG. 5 is a bottom plan view thereof;

FIG. 6 is a right side elevational view thereof;

FIG. 7 is a left side elevational view thereof; and,

FIG. 8 is a perspective view of the bottom, rear and left side thereof.

(56) **References Cited**

U.S. PATENT DOCUMENTS

D425,485 S * 5/2000 Nishio et al. D13/147

D425,486 S * 5/2000 Nishio et al. D13/147

1 Claim, 5 Drawing Sheets

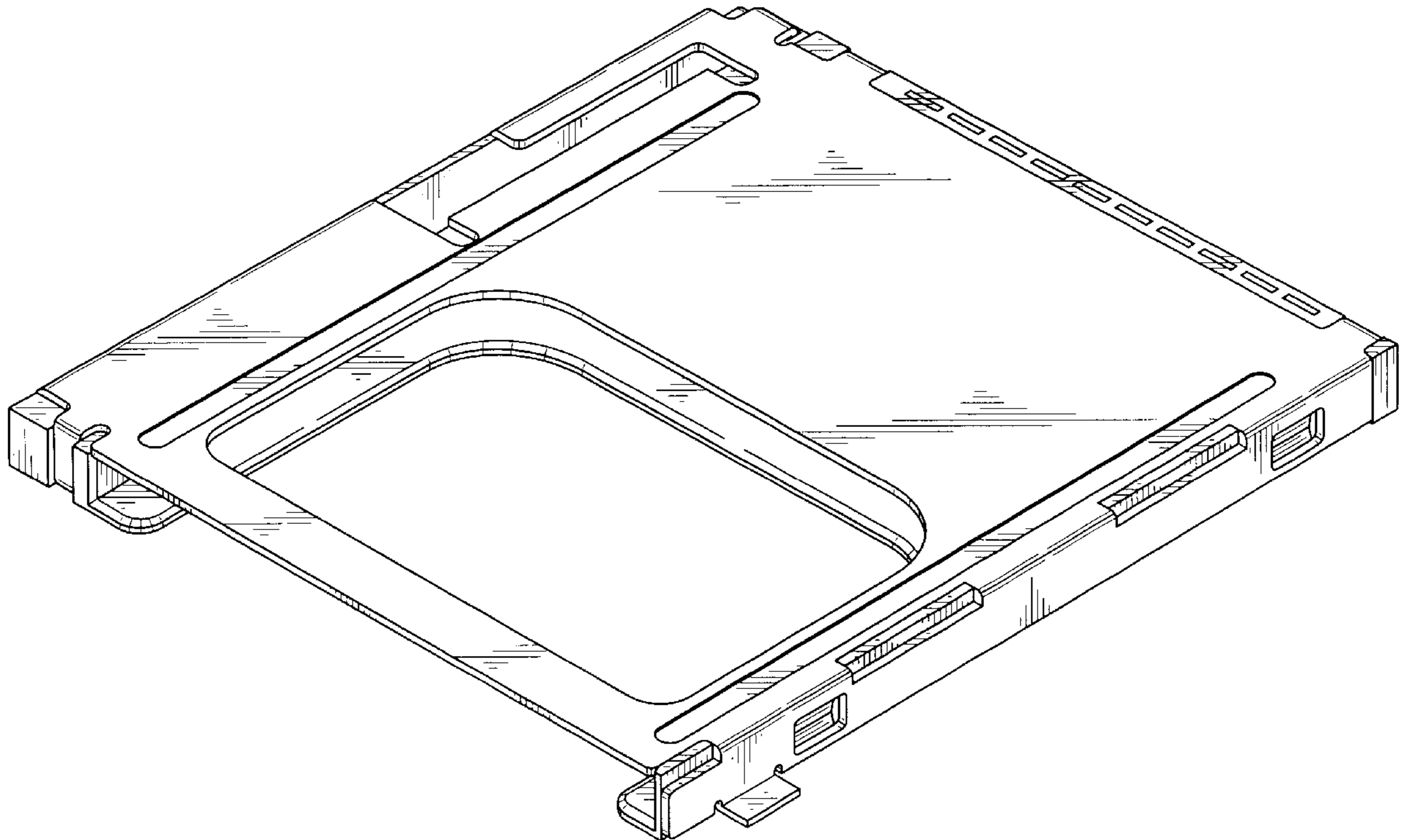


FIG. 1

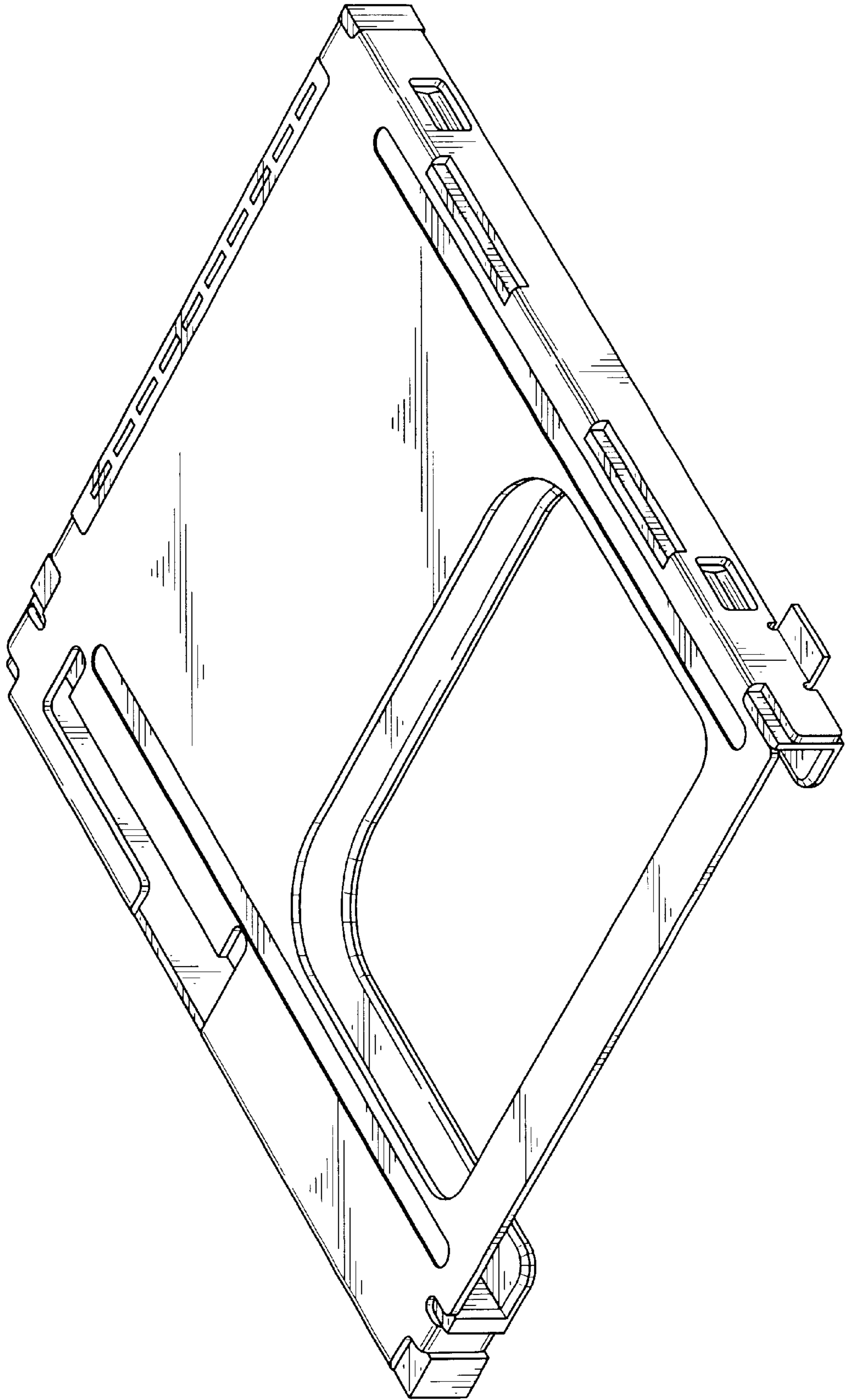


FIG. 2

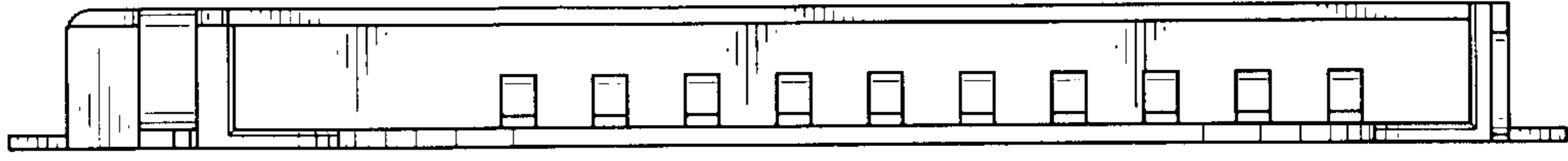


FIG. 3

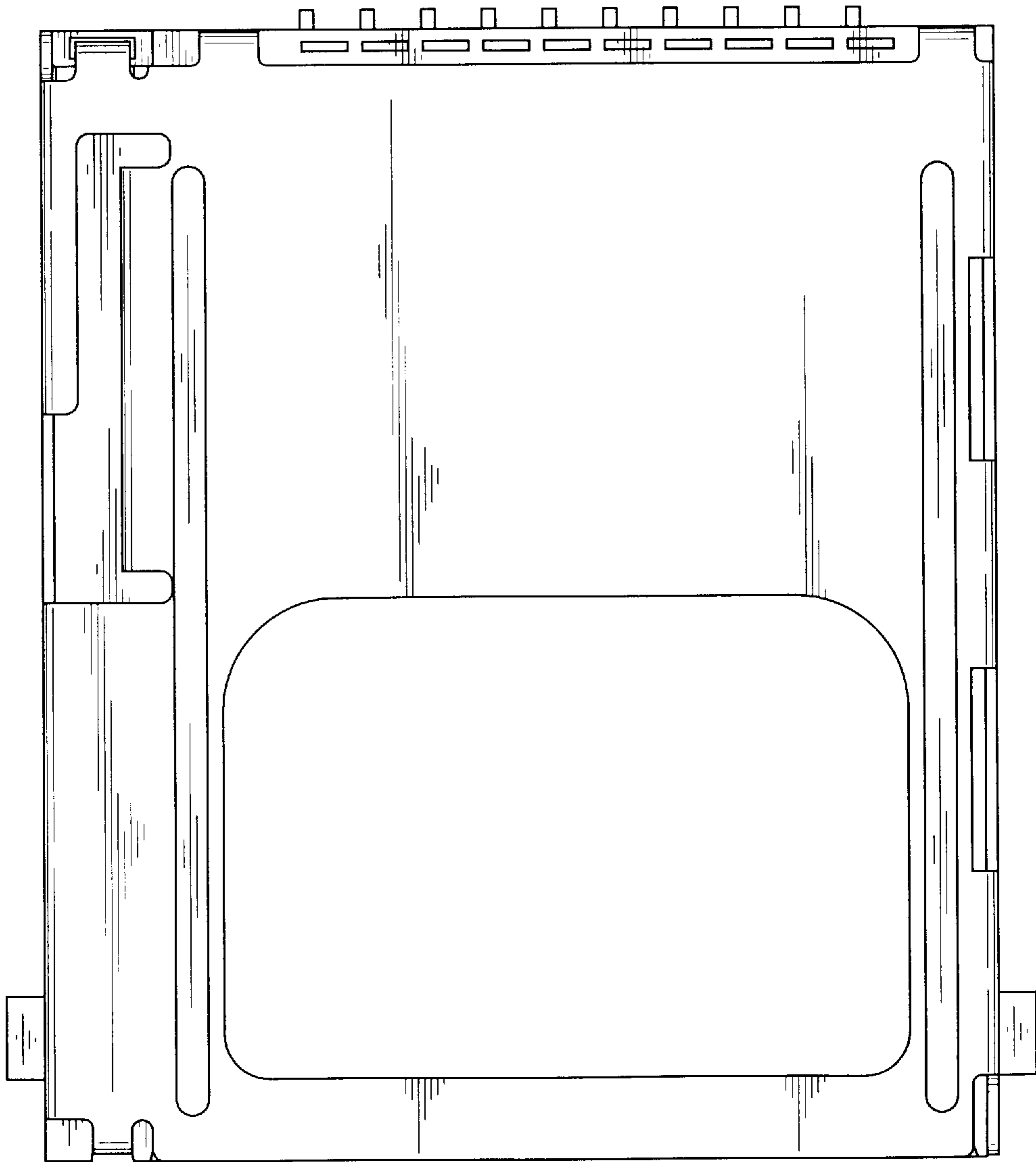


FIG. 4

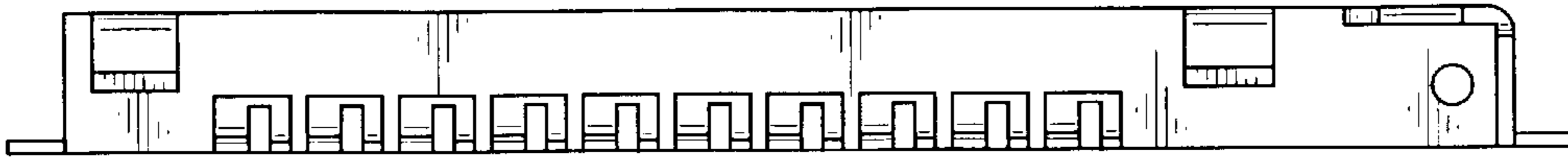


FIG. 5

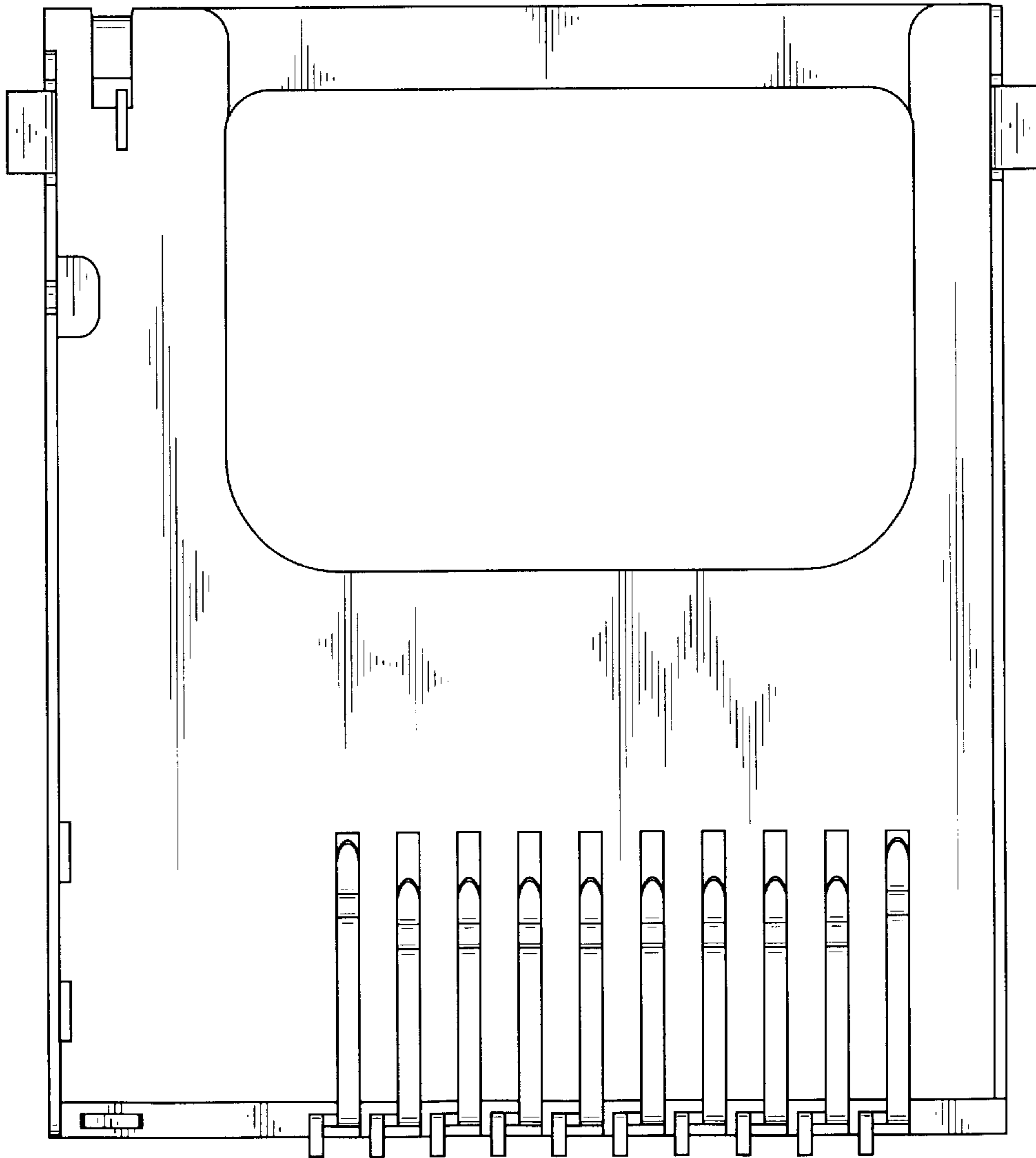


FIG. 6

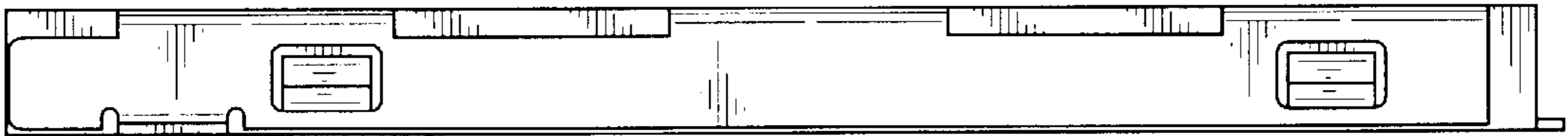


FIG. 7

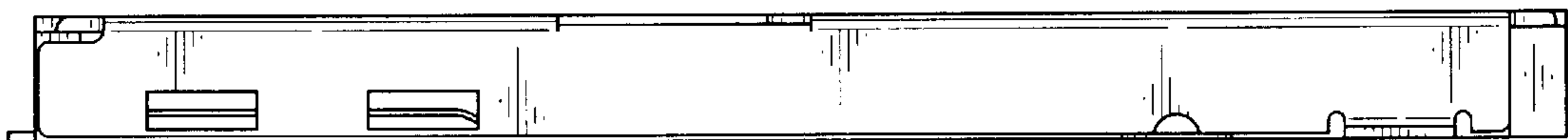


FIG. 8

