



US00D470126S

(12) **United States Design Patent**  
**Ljungberg et al.**

(10) **Patent No.:** **US D470,126 S**

(45) **Date of Patent:** **\*\* Feb. 11, 2003**

(54) **LOUDSPEAKER**

(76) Inventors: **Patricia Ljungberg**, Studio 6, Pickwick House, 20 Ebenezer Street, London N1 7NP (GB); **Kim Donvig-Ehlers**, Studio 6, Pickwick House, 20 Ebenezer Street, London N1 7NP (GB)

(\*\*) Term: **14 Years**

(21) Appl. No.: **29/142,775**

(22) Filed: **Jun. 1, 2001**

(30) **Foreign Application Priority Data**

Feb. 6, 2001 (GB) ..... 2099258

(51) **LOC (7) Cl.** ..... **14-01**

(52) **U.S. Cl.** ..... **D14/214; D14/215**

(58) **Field of Search** ..... D14/204, 207, D14/210-216; 181/144-145, 147-148, 153, 198-199; 381/300-302, 307, 332-336, 386

(56) **References Cited**

**U.S. PATENT DOCUMENTS**

4,214,645 A \* 7/1980 Plourde ..... 181/148

D261,883 S \* 11/1981 Russel et al. .... D14/214  
D265,822 S \* 8/1982 Hartwein et al. .... D14/211  
5,639,996 A \* 6/1997 Tan ..... 180/199  
D410,006 S \* 5/1999 Miyazaki ..... D14/214  
D415,764 S \* 10/1999 Azima et al. .... D14/214  
D418,138 S \* 12/1999 Miyazaki ..... D14/214  
D432,115 S \* 10/2000 Juskiewicz et al. .... D14/204  
6,144,752 A \* 11/2000 Chen ..... 381/386

\* cited by examiner

*Primary Examiner*—Nanda Bondade

(74) *Attorney, Agent, or Firm*—Dilworth & Barrese LLP

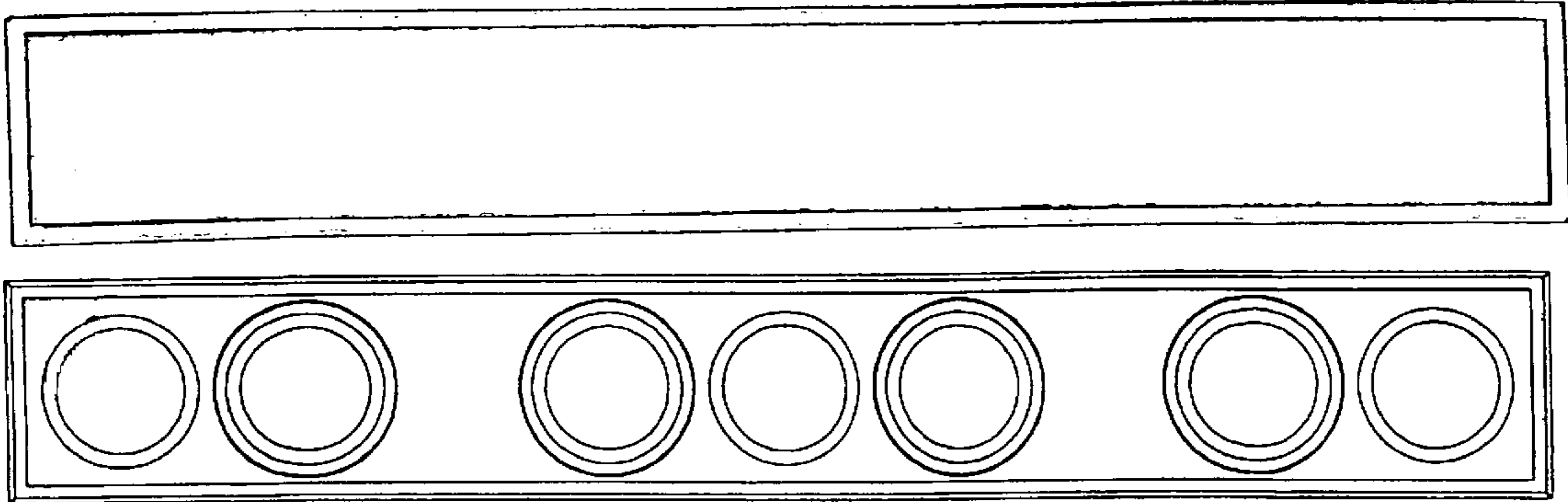
(57) **CLAIM**

The ornamental design for the loudspeaker, as shown and described herein.

**DESCRIPTION**

FIG. 1 is a front view of the speaker with screen.  
FIG. 2 is a side view of the speaker with screen.  
FIG. 3 is a plan view of the speaker with screen.  
FIG. 4 is a perspective view of the speaker with screen.  
FIG. 5 is a front view of the speaker without the screen.  
FIG. 6 is a side view of the speaker without the screen; and,  
FIG. 7 is a plan view of the speaker without the screen.

**1 Claim, 2 Drawing Sheets**



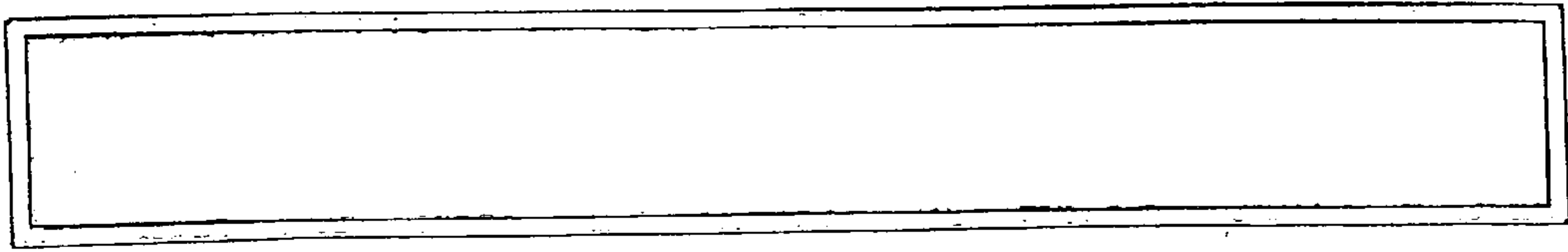


FIGURE 1

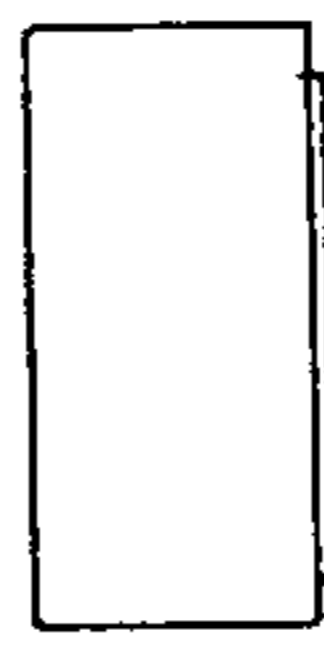


FIGURE 2

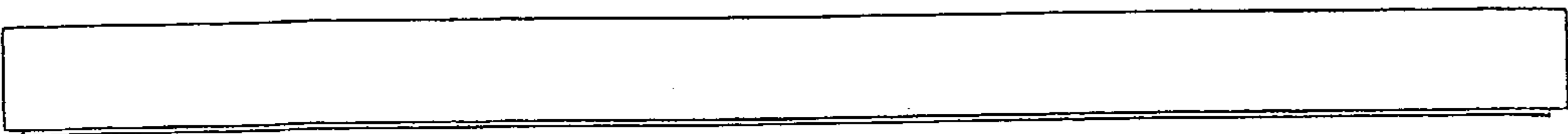


FIGURE 3

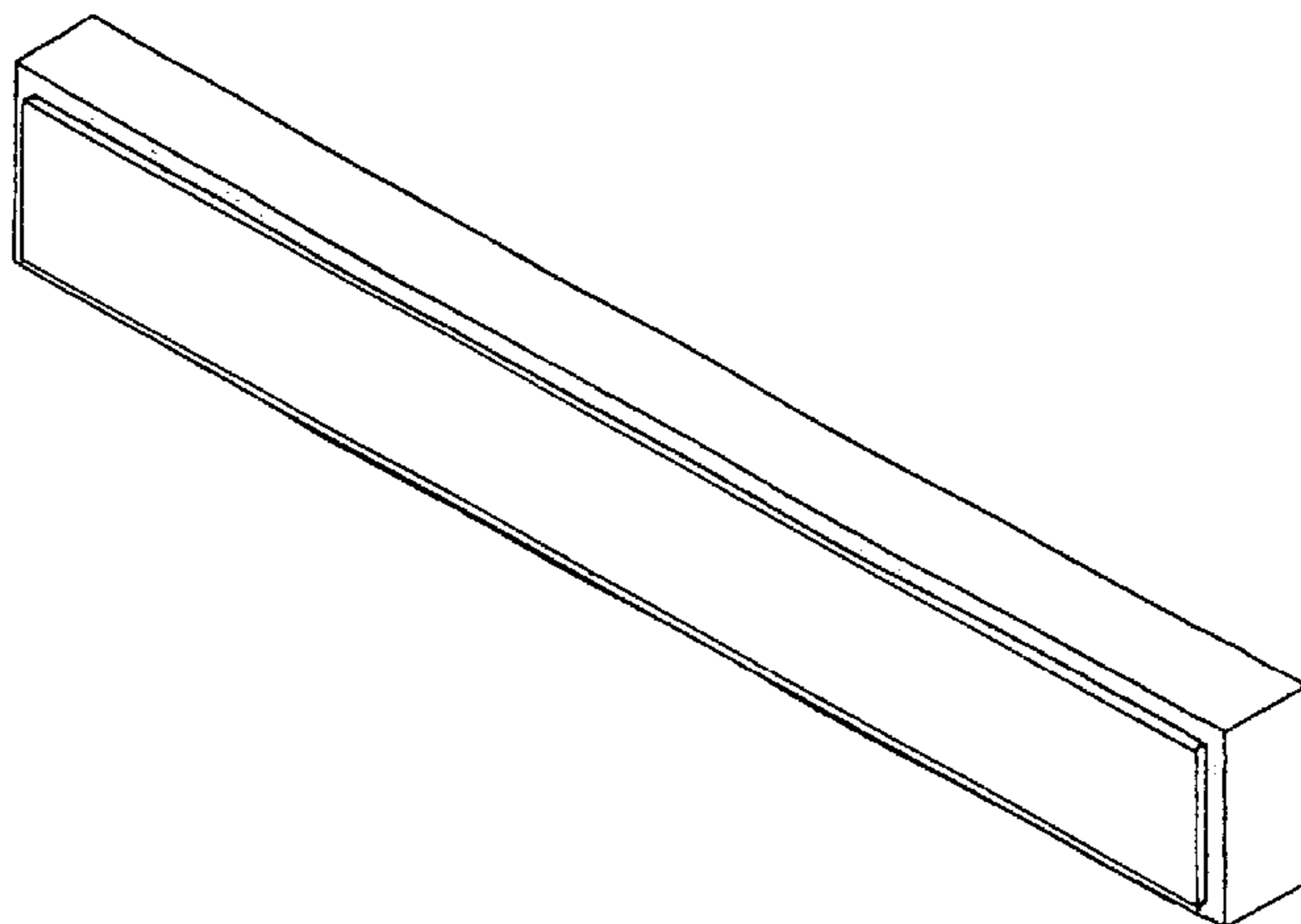


FIGURE 4

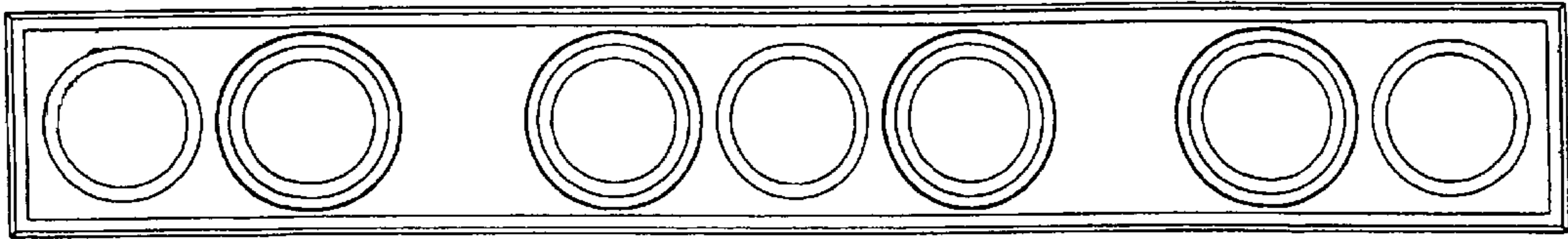


FIGURE 5



FIGURE 6



FIGURE 7