



US00D470119S

(12) **United States Design Patent**  
**Ota**

(10) **Patent No.:** **US D470,119 S**

(45) **Date of Patent:** **\*\* Feb. 11, 2003**

(54) **DISC RECORDER**

D433,410 S 11/2000 Matsuzaka

D438,521 S \* 3/2001 Makino et al. .... D14/136

(75) Inventor: **Kiyoshi Ota**, Tokyo (JP)

\* cited by examiner

(73) Assignee: **Sony Corporation**, Tokyo (JP)

*Primary Examiner*—Nanda Bondade

(\*\*) Term: **14 Years**

(74) *Attorney, Agent, or Firm*—Rader, Fishman & Grauer PLLC

(21) Appl. No.: **29/156,044**

(57) **CLAIM**

(22) Filed: **Feb. 25, 2002**

The ornamental design for a disc recorder, as shown and described.

(51) **LOC (7) Cl.** ..... **14-01**

(52) **U.S. Cl.** ..... **D14/167**

(58) **Field of Search** ..... D14/135–136,  
D14/156–157, 167–168, 188, 193–198,  
257–258; 369/75.1, 75.2, 77.1, 77.2; 455/344,  
347, 350–351

**DESCRIPTION**

FIG. 1 is a perspective view of a disc recorder showing my new design;

FIG. 2 is a front elevational view thereof;

FIG. 3 is a rear elevational view thereof;

FIG. 4 is a left side elevational view thereof;

FIG. 5 is a right side elevational view thereof;

FIG. 6 is a top plan view thereof; and,

FIG. 7 is a bottom plan view thereof.

(56) **References Cited**

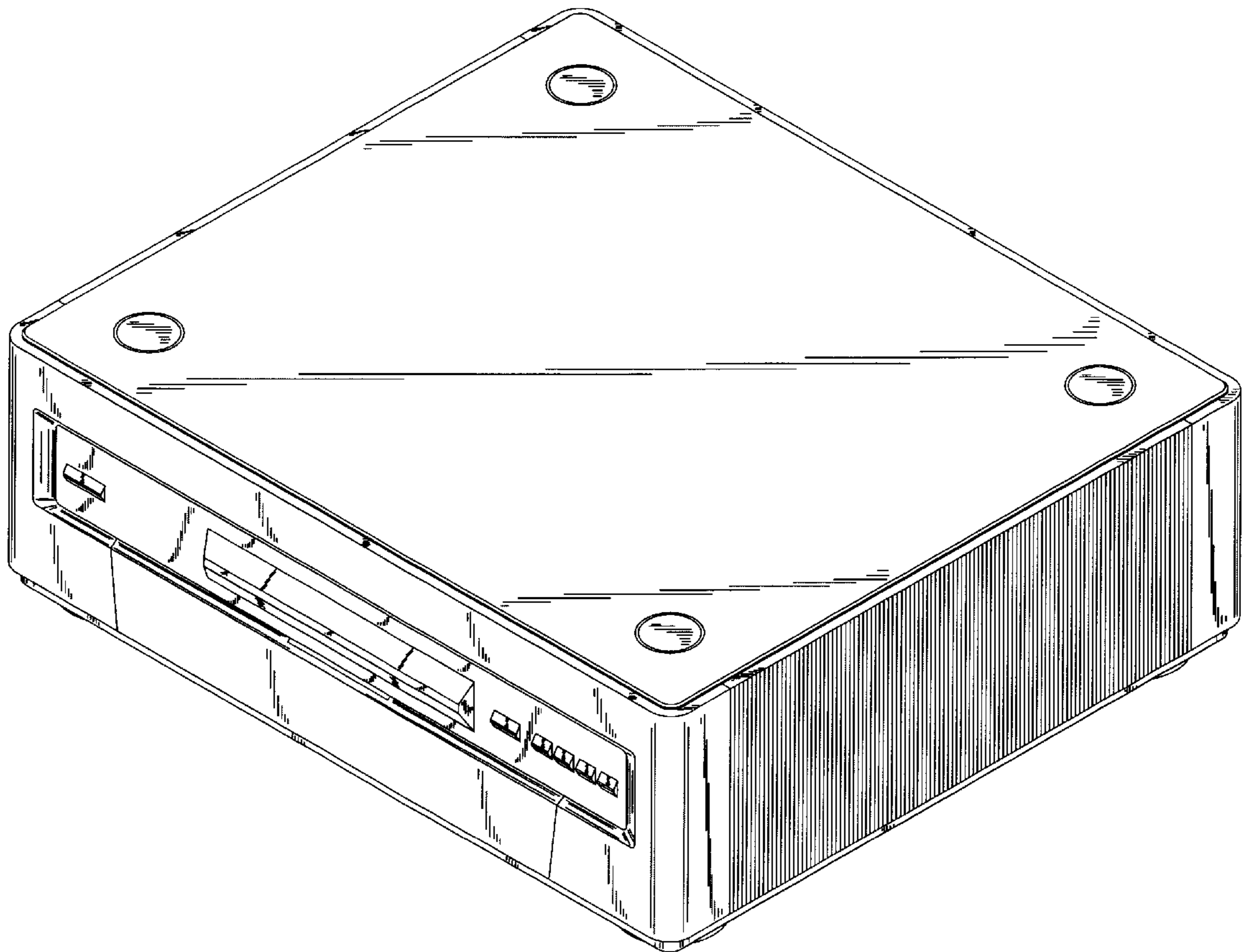
**U.S. PATENT DOCUMENTS**

5,859,828 A \* 1/1999 Ishibashi ..... 369/75.1

D409,605 S \* 5/1999 Miyazaki ..... D14/136

D429,706 S \* 8/2000 Miyazaki ..... D14/135

**1 Claim, 4 Drawing Sheets**



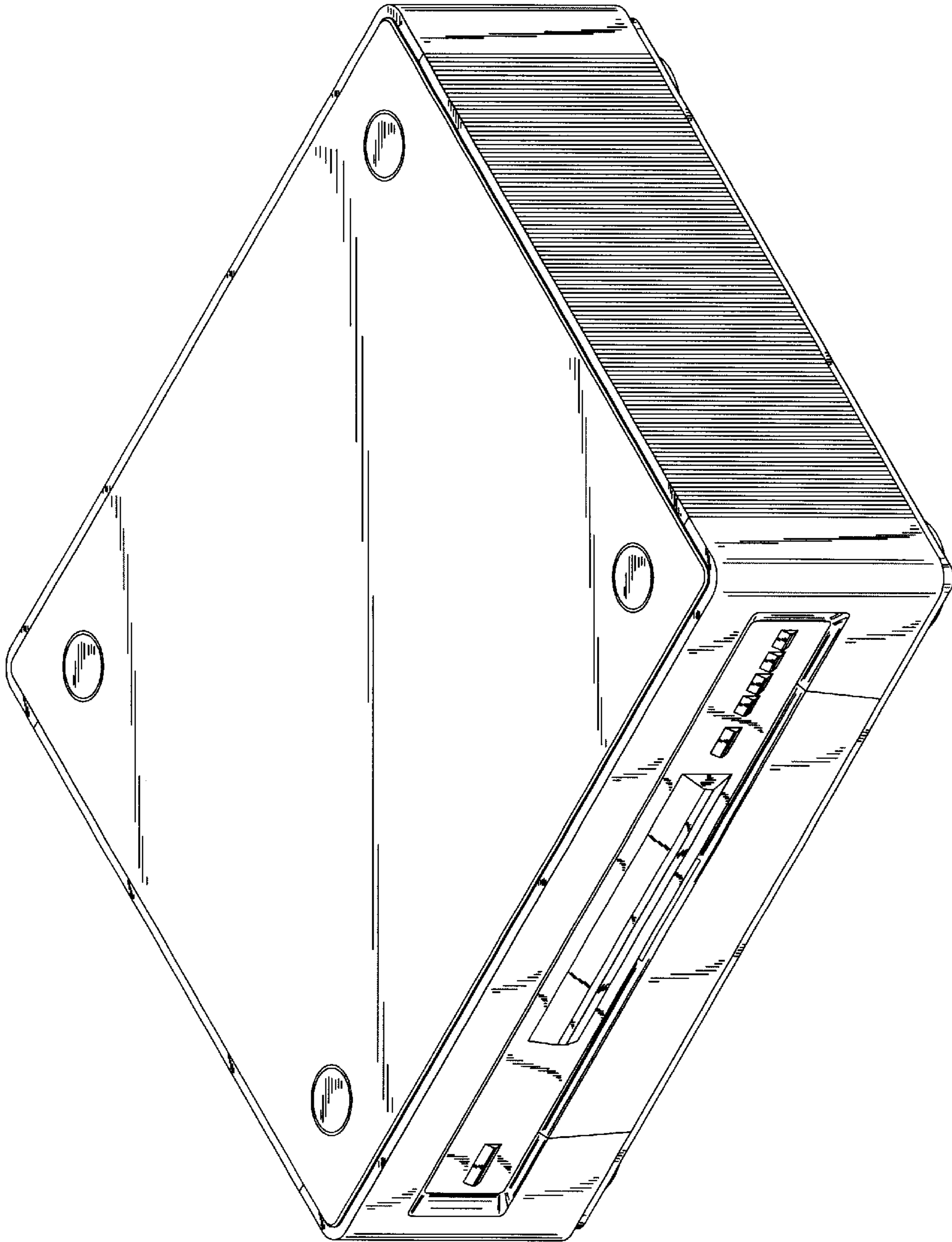
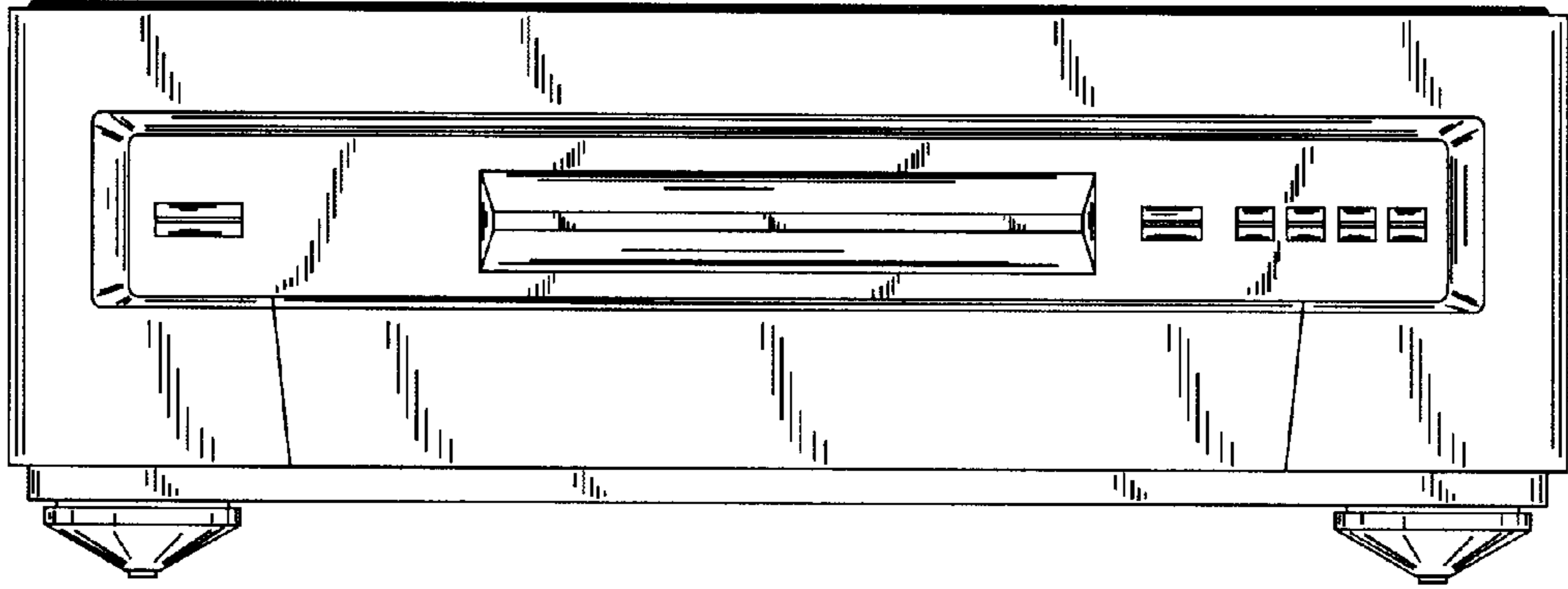
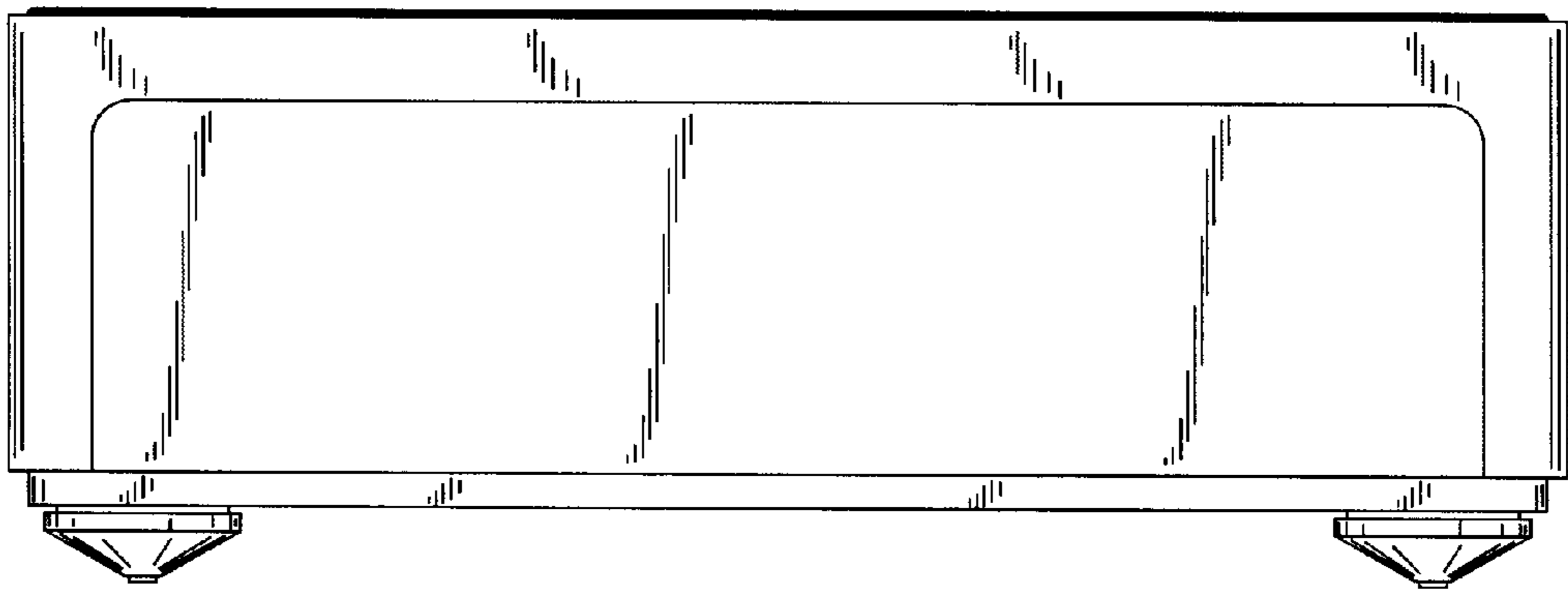


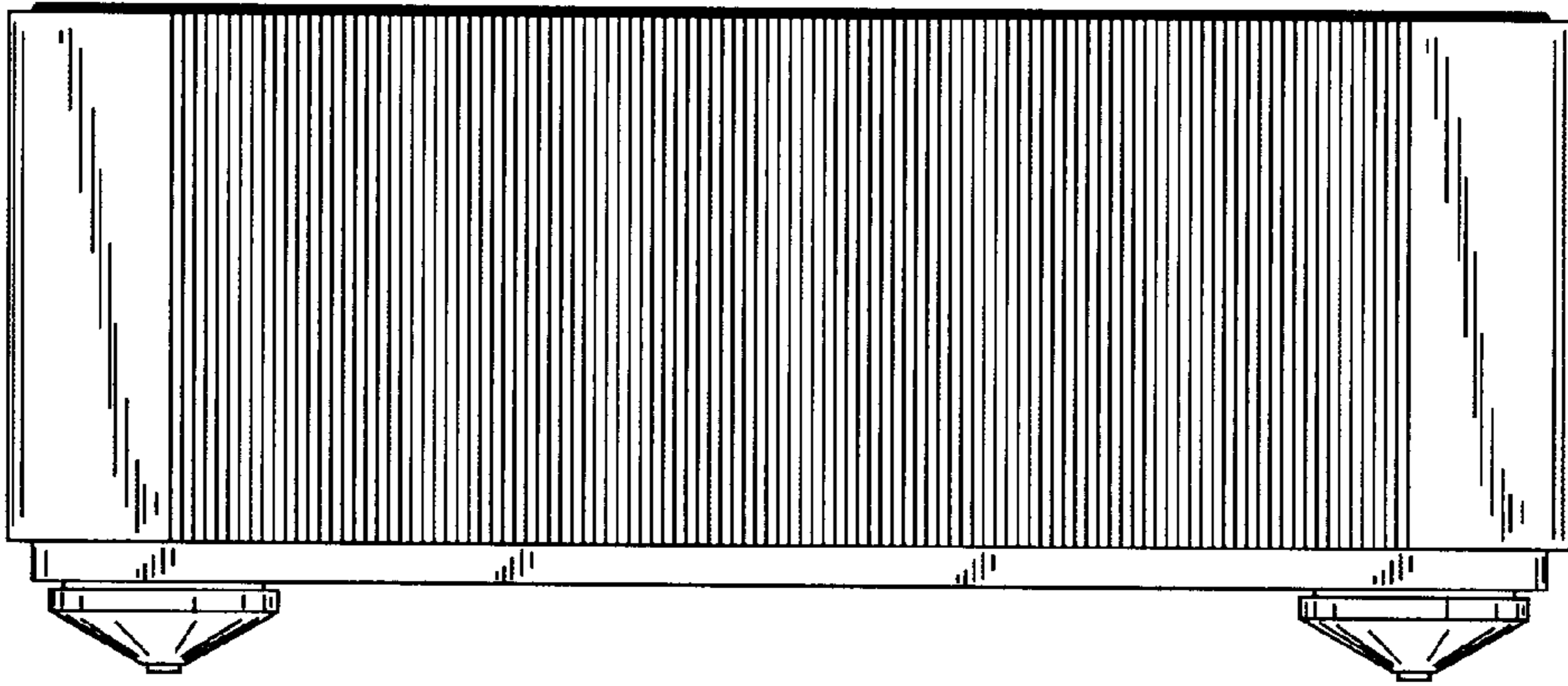
Fig. 1



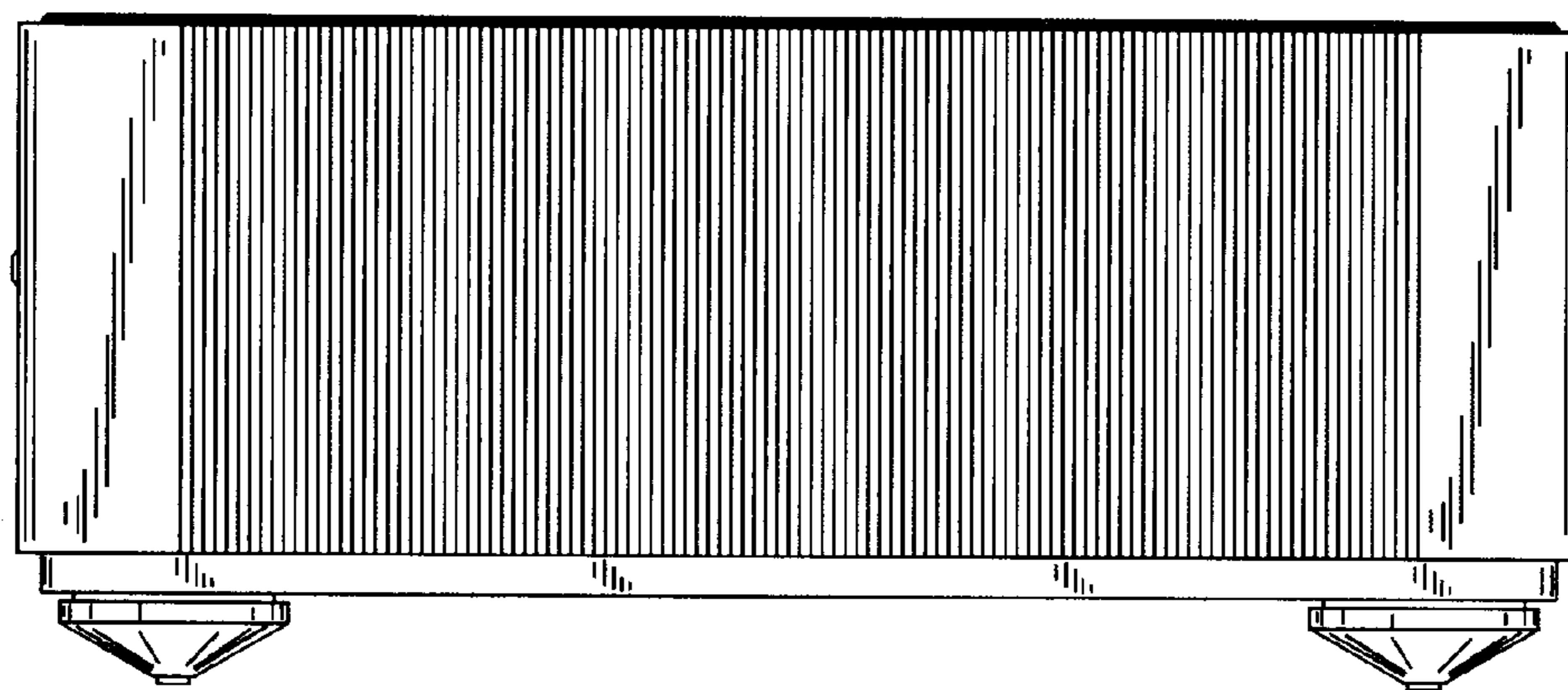
**Fig. 2**



**Fig. 3**



**Fig. 4**



**Fig. 5**

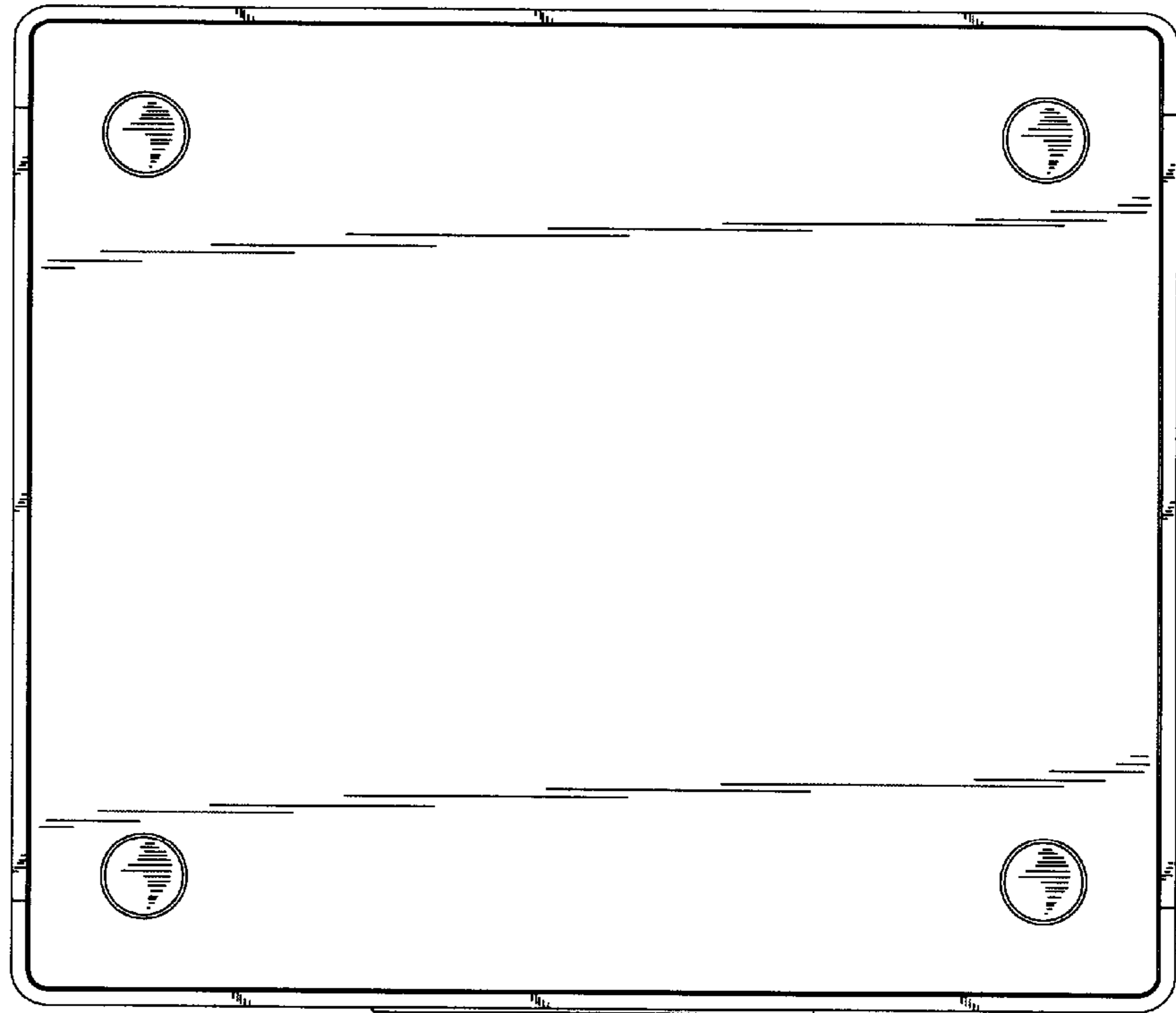


Fig. 6

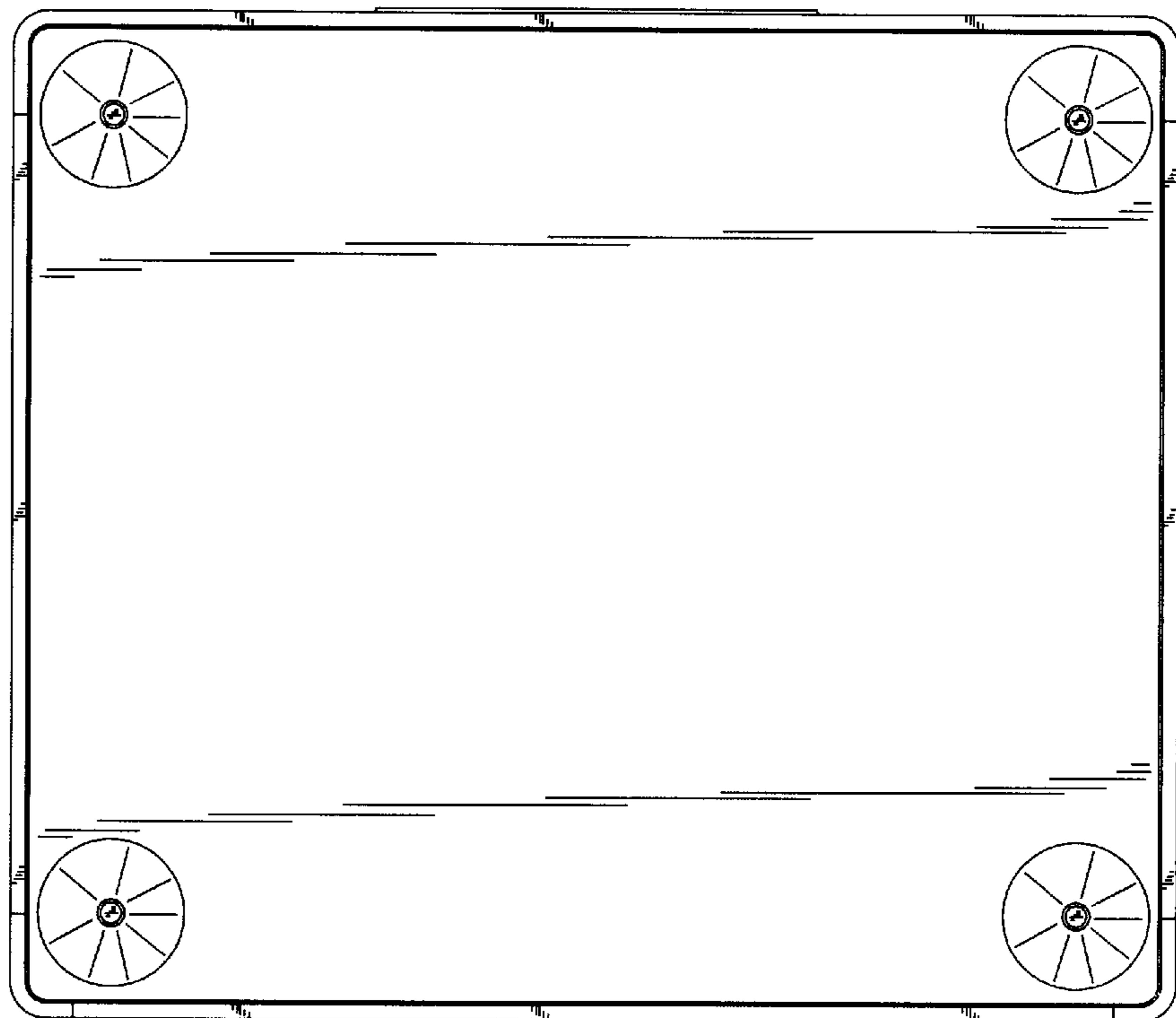


Fig. 7