



US00D470113S

(12) **United States Design Patent**  
**Brower et al.**

(10) **Patent No.:** **US D470,113 S**

(45) **Date of Patent:** **\*\* Feb. 11, 2003**

(54) **STUFFER FOR AN ELECTRICAL WIRE CONNECTOR**

(75) Inventors: **Boyd G. Brower**, Keller, TX (US);  
**Brad N. Grunwald**, Euless, TX (US);  
**John J. Napiorkowski**, Irving, TX (US)

(73) Assignee: **Corning Cable Systems LLC**, Hickory, NC (US)

(\*\*) Term: **14 Years**

(21) Appl. No.: **29/159,553**

(22) Filed: **Apr. 24, 2002**

**Related U.S. Application Data**

(63) Continuation-in-part of application No. 09/748,048, filed on Dec. 22, 2000, now abandoned.

(51) **LOC (7) Cl.** ..... **13-03**

(52) **U.S. Cl.** ..... **D13/154**

(58) **Field of Search** ..... D13/133, 146,  
D13/147, 149, 151, 154; D14/140, 240,  
256; 361/641, 728, 733, 747, 823; 379/412;  
439/395, 402, 411, 417

(56) **References Cited**

**U.S. PATENT DOCUMENTS**

D323,147 S \* 1/1992 Nagasaka et al. .... D13/146  
D352,699 S \* 11/1994 Capper et al. .... D13/133

D353,380 S 12/1994 Baum et al. .... D14/240  
D354,939 S 1/1995 Jensen et al. .... D13/133  
D356,797 S \* 3/1995 Young ..... D14/240  
5,537,471 A 7/1996 Smith ..... 379/412  
5,860,829 A 1/1999 Hower et al. .... 439/417  
D411,734 S \* 6/1999 Hsiang ..... D13/154  
D420,645 S \* 2/2000 Chang et al. .... D13/146  
6,025,972 A \* 2/2000 Brower ..... 361/119  
6,239,962 B1 \* 5/2001 Seymour et al. .... 361/733  
6,254,421 B1 \* 7/2001 Denovich et al. .... 439/417

\* cited by examiner

*Primary Examiner*—Robert M. Spear

(74) *Attorney, Agent, or Firm*—Christopher C. Dremann

(57) **CLAIM**

The ornamental design for a stuffer for an electrical wire connector, as shown and described.

**DESCRIPTION**

FIG. 1 is a right front perspective view of a stuffer according to our new design;

FIG. 2 is a slightly enlarged right front perspective view of the stuffer of FIG. 1;

FIG. 3 is a left side elevation view of the stuffer of FIG. 2;

FIG. 4 is a right side elevation view of the stuffer of FIG. 2;

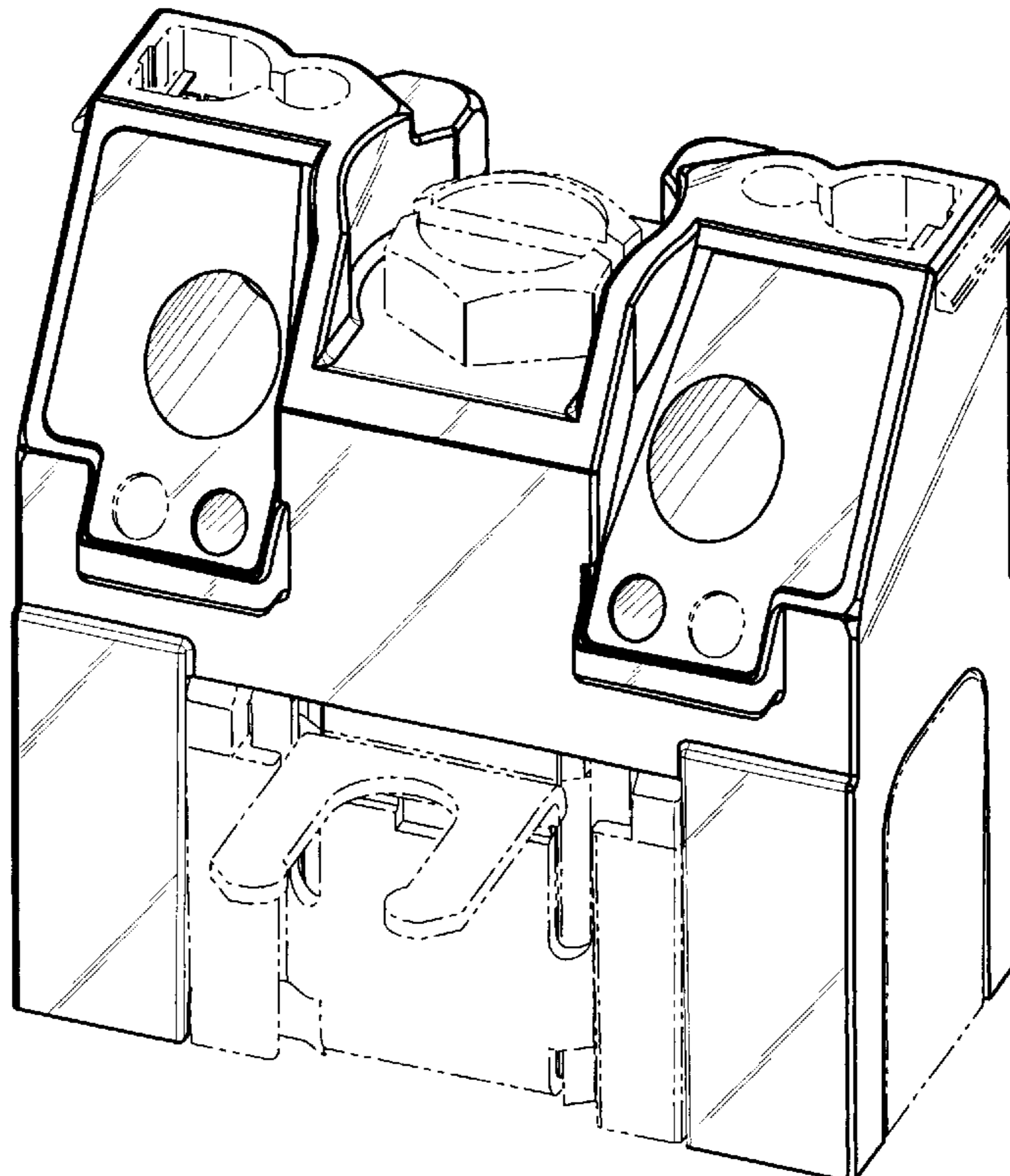
FIG. 5 is a front elevation view of the stuffer of FIG. 2;

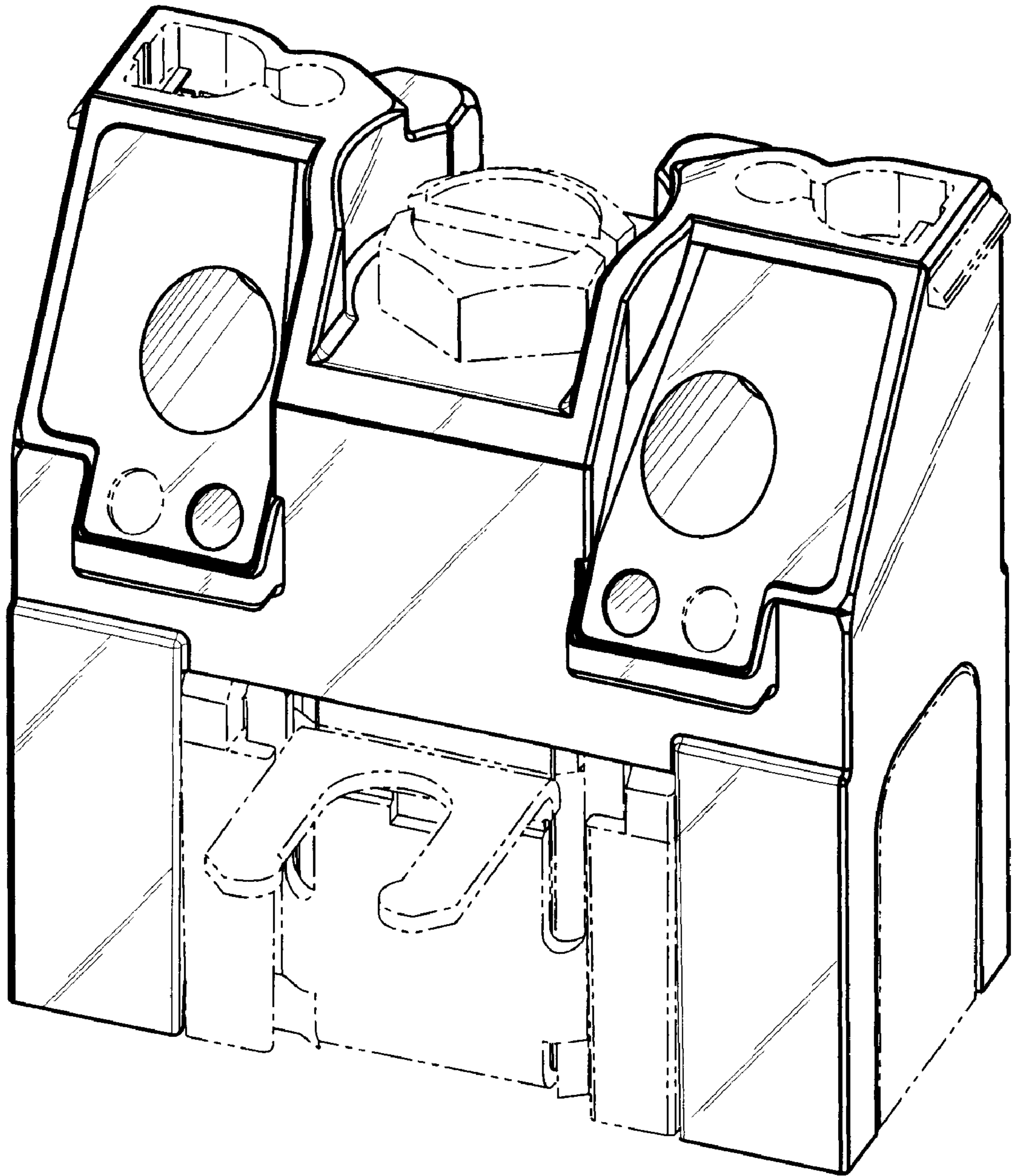
FIG. 6 is a rear elevation view of the stuffer of FIG. 2; and,

FIG. 7 is a top plan view of the stuffer of FIG. 2.

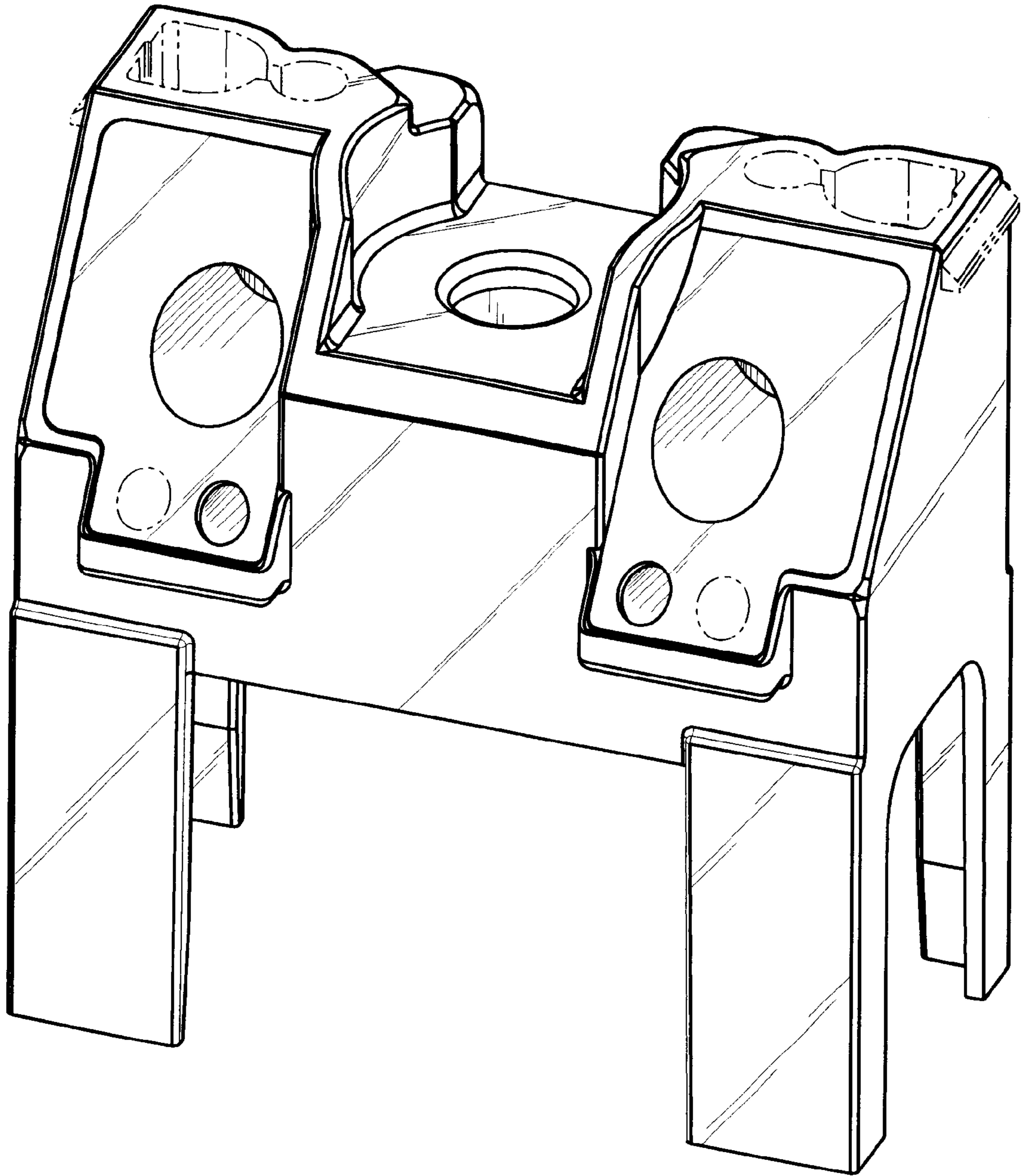
The broken lines in the drawings depict environmental structure, which forms no part of the claimed design.

**1 Claim, 6 Drawing Sheets**

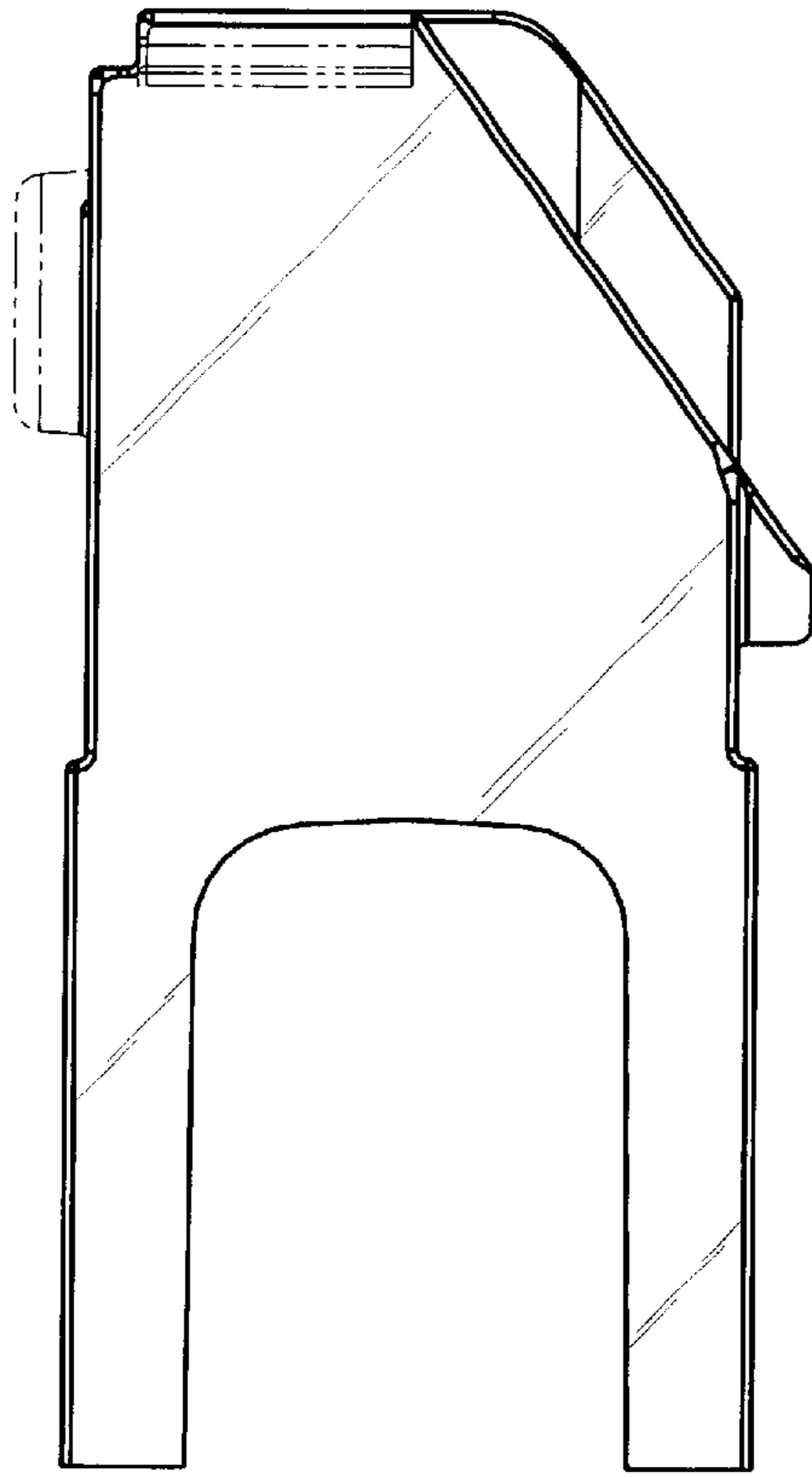




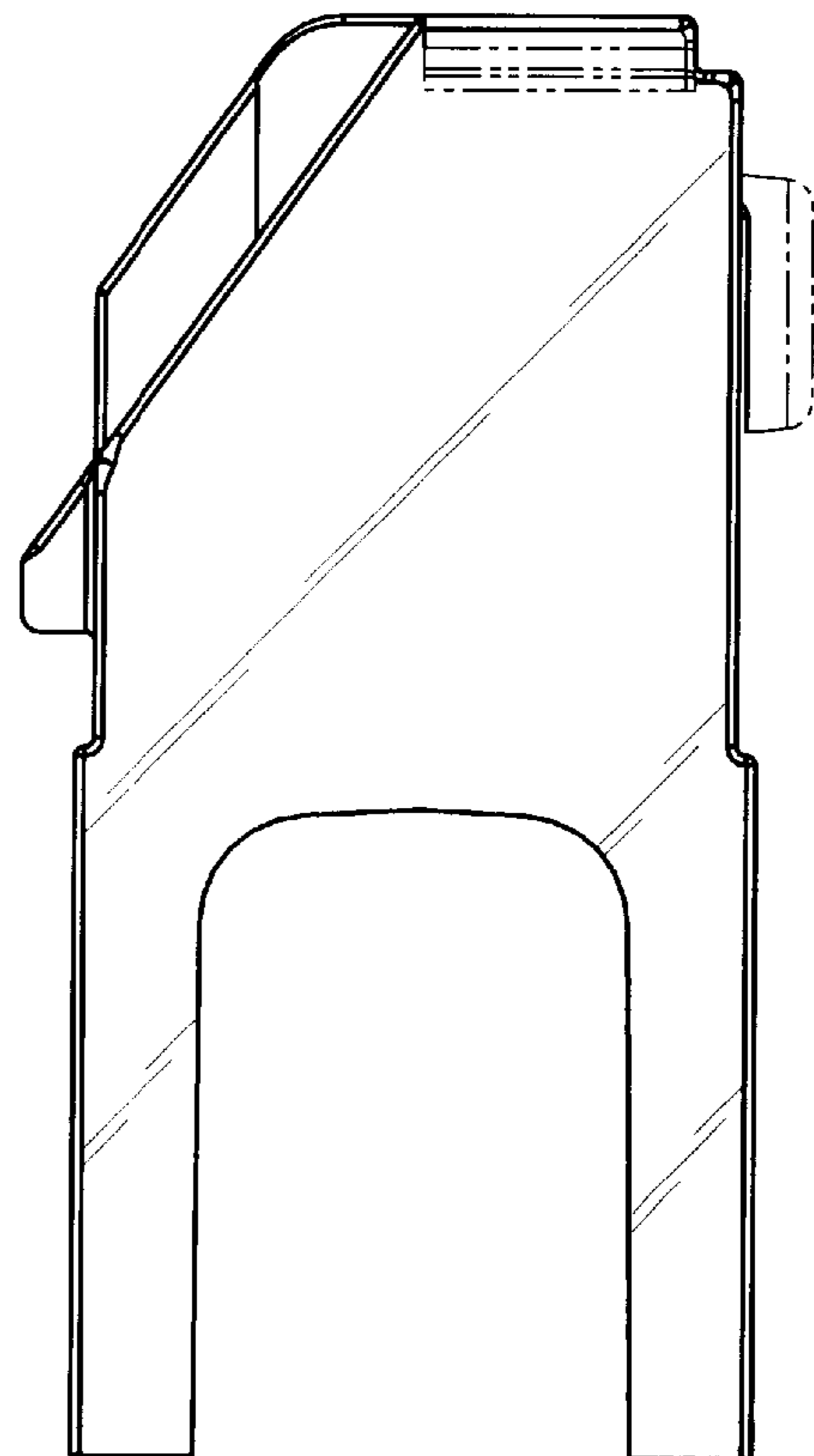
*Fig. 1*



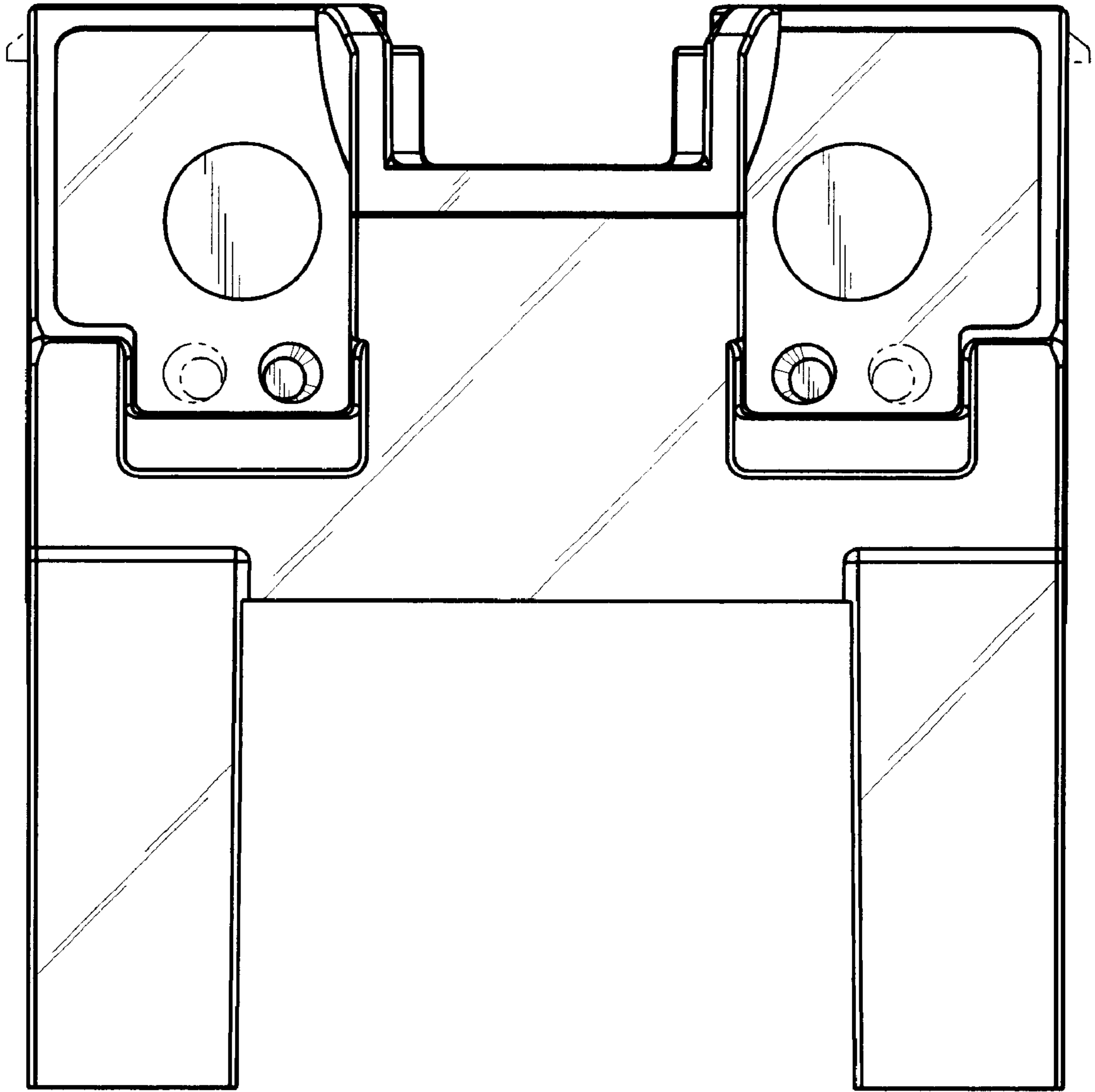
*Fig. 2*



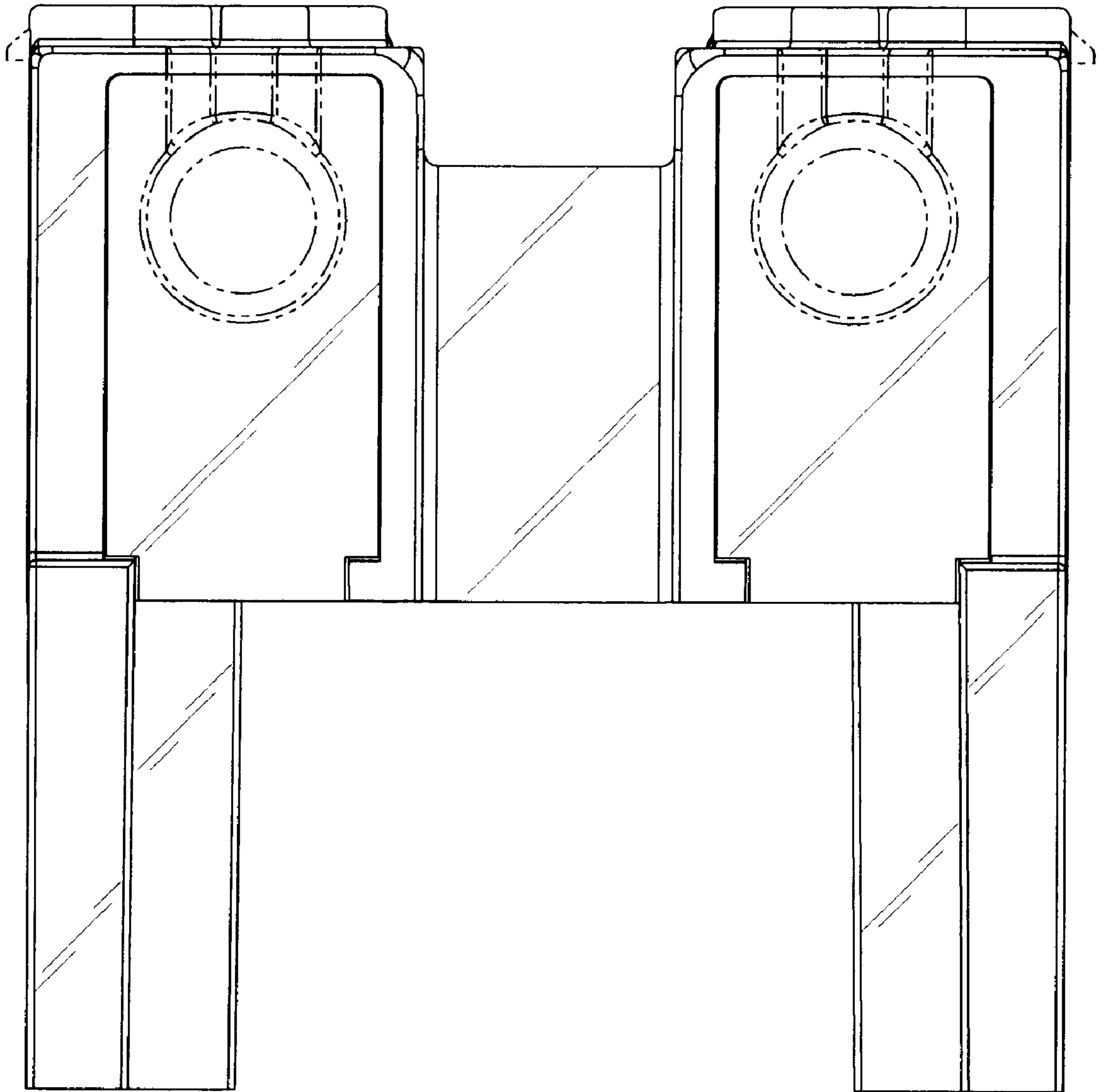
*Fig. 3*



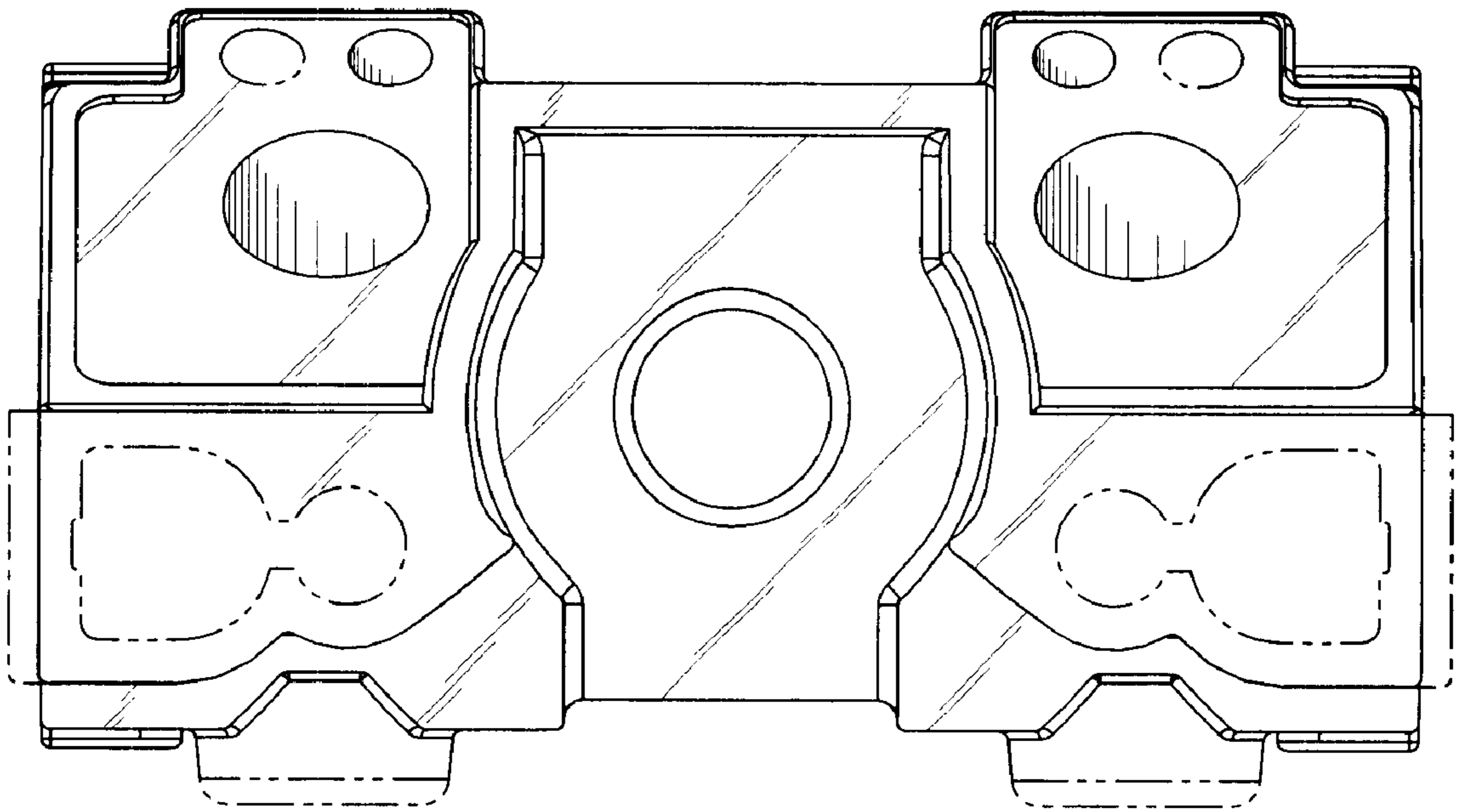
*Fig. 4*



*Fig. 5*



*Fig. 6*



*Fig. 7*