



US00D470110S

(12) **United States Design Patent**
Yamane

(10) **Patent No.:** **US D470,110 S**

(45) **Date of Patent:** **** Feb. 11, 2003**

(54) **ELECTRIC CONNECTOR**

(75) Inventor: **Hiroshi Yamane**, Yokohama (JP)

(73) Assignee: **J. S. T. Mfg. Co., Ltd.**, Osaka (JP)

(**) Term: **14 Years**

(21) Appl. No.: **29/146,800**

(22) Filed: **Aug. 17, 2001**

(30) **Foreign Application Priority Data**

Feb. 23, 2001 (JP) 2001-004276
Feb. 23, 2001 (JP) 2001-004277

(51) **LOC (7) Cl.** **13-03**

(52) **U.S. Cl.** **D13/147**

(58) **Field of Search** D13/147; 439/260,
439/325, 329, 492, 495, 607

(56) **References Cited**

U.S. PATENT DOCUMENTS

6,015,310 A * 1/2000 Tojo 439/260
6,099,346 A * 8/2000 Hashiguchi et al. 439/495
6,146,171 A * 11/2000 Kunishi et al. 439/260
6,283,779 B1 * 9/2001 Lung 439/260
6,293,818 B1 * 9/2001 Kim et al. 439/495
6,338,648 B1 * 1/2002 Miura et al. 439/495

* cited by examiner

Primary Examiner—Joel Sincavage

(74) *Attorney, Agent, or Firm*—Rader, Fishman & Grauer
PLLC

(57) **CLAIM**

The ornamental design for the electric connector, as shown and described.

DESCRIPTION

FIG. 1 is a perspective view of a first embodiment of an electric connector, as viewed from top, front and left side; FIG. 2 is a perspective view thereof, as viewed from top, rear and right side; FIG. 3 is a perspective view thereof, as viewed from top, front and left side, with a cover being open state; FIG. 4 is a top plan view thereof; FIG. 5 is a front elevation view thereof; FIG. 6 is a bottom plan view thereof; FIG. 7 is a rear elevation view thereof; FIG. 8 is a right side view thereof, a left side view thereof being a mirror image; FIG. 9 is a perspective view of a second embodiment of the electric connector, as viewed from top, front and left side; FIG. 10 is a perspective view of the second embodiment, as viewed from top, rear and right side; FIG. 11 a perspective view of the second embodiment, as viewed from top, front and left side, with a cover being open state; FIG. 12 is a top plan view of the second embodiment; FIG. 13 is a front elevation view of the second embodiment; FIG. 14 is a bottom plan view of the second embodiment; FIG. 15 is a rear elevation view of the second embodiment; and, FIG. 16 is a right side view of the second embodiment, a left side view thereof being a mirror image.

1 Claim, 6 Drawing Sheets

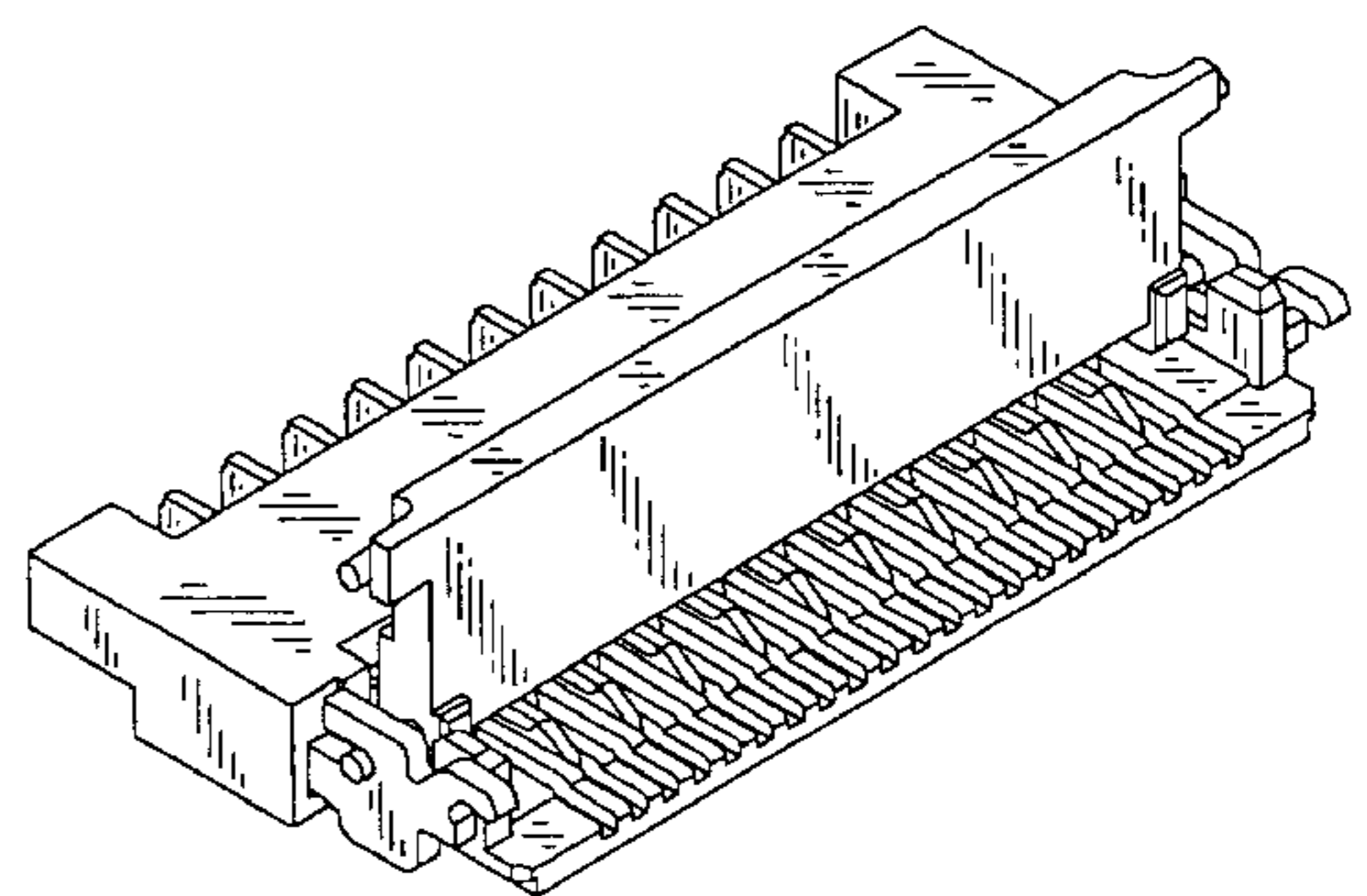
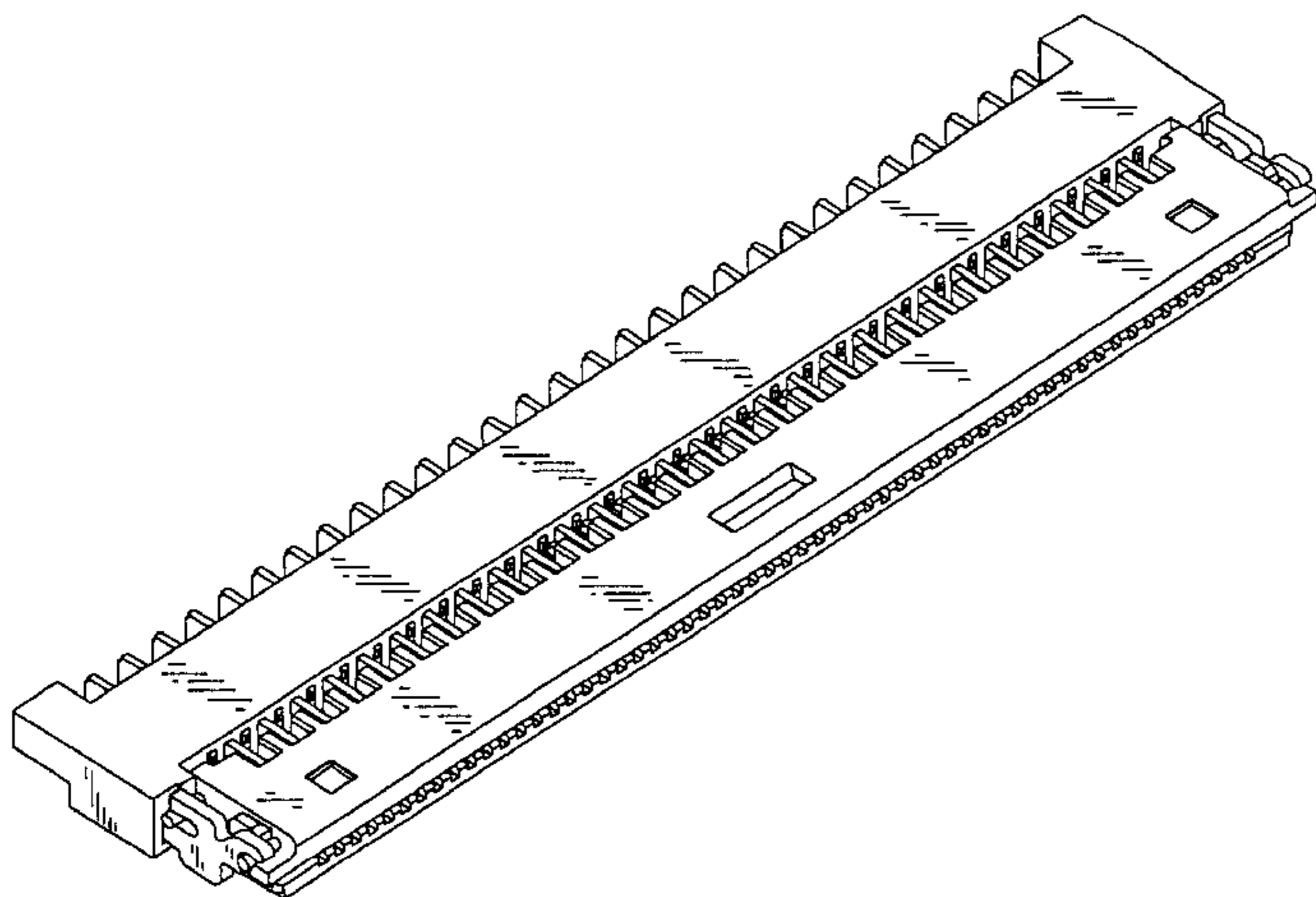


FIG. 1

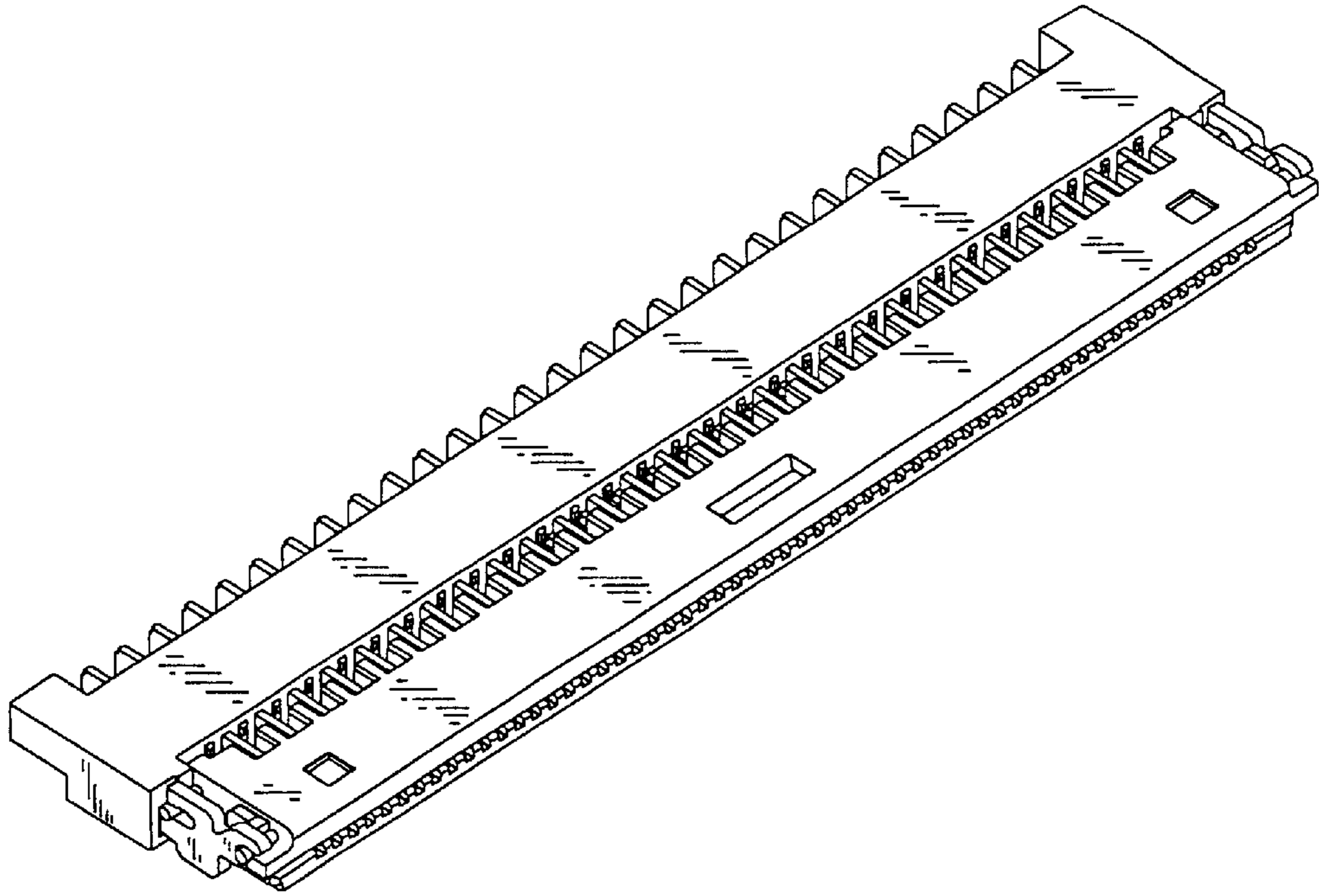


FIG. 2

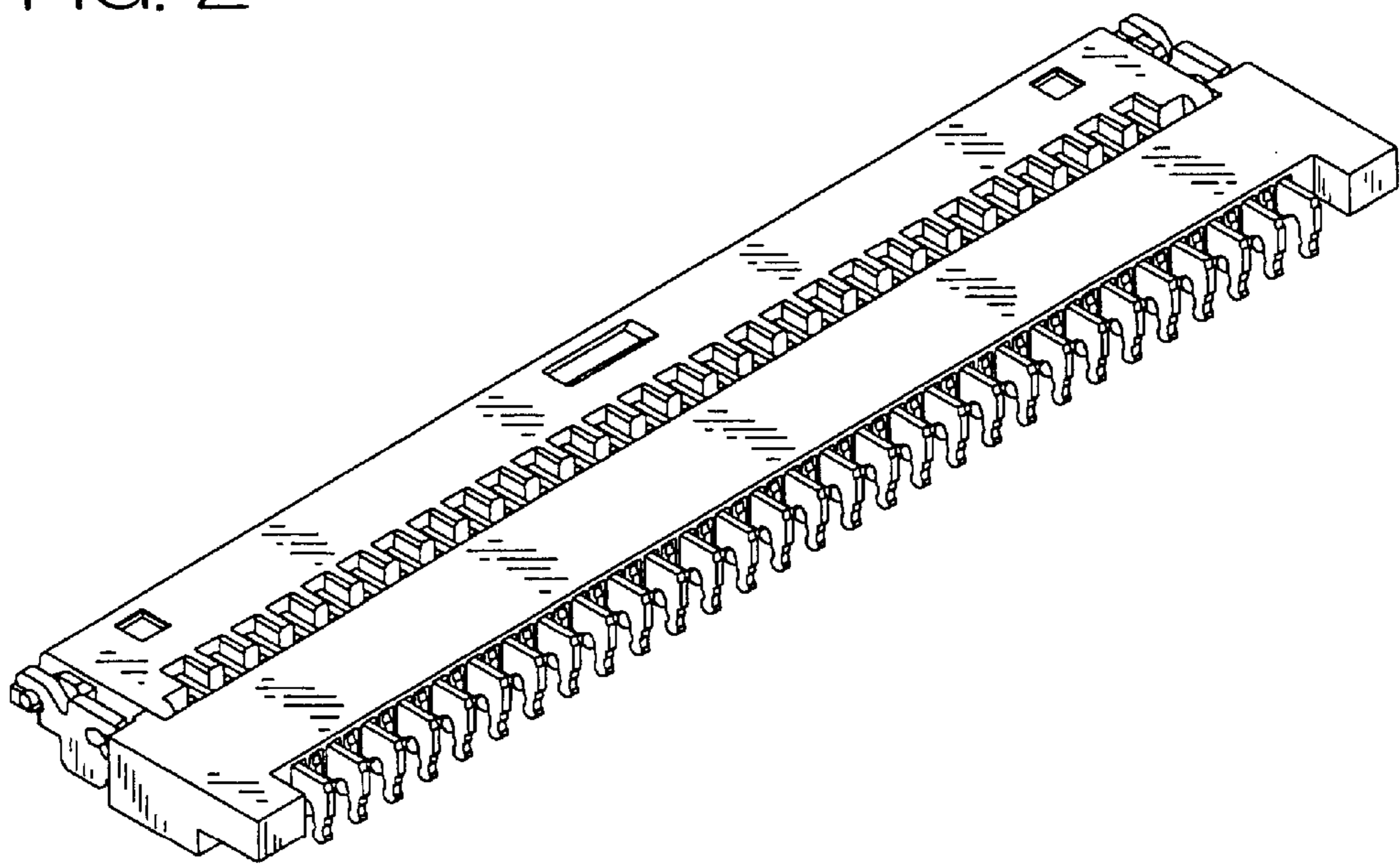


FIG. 3

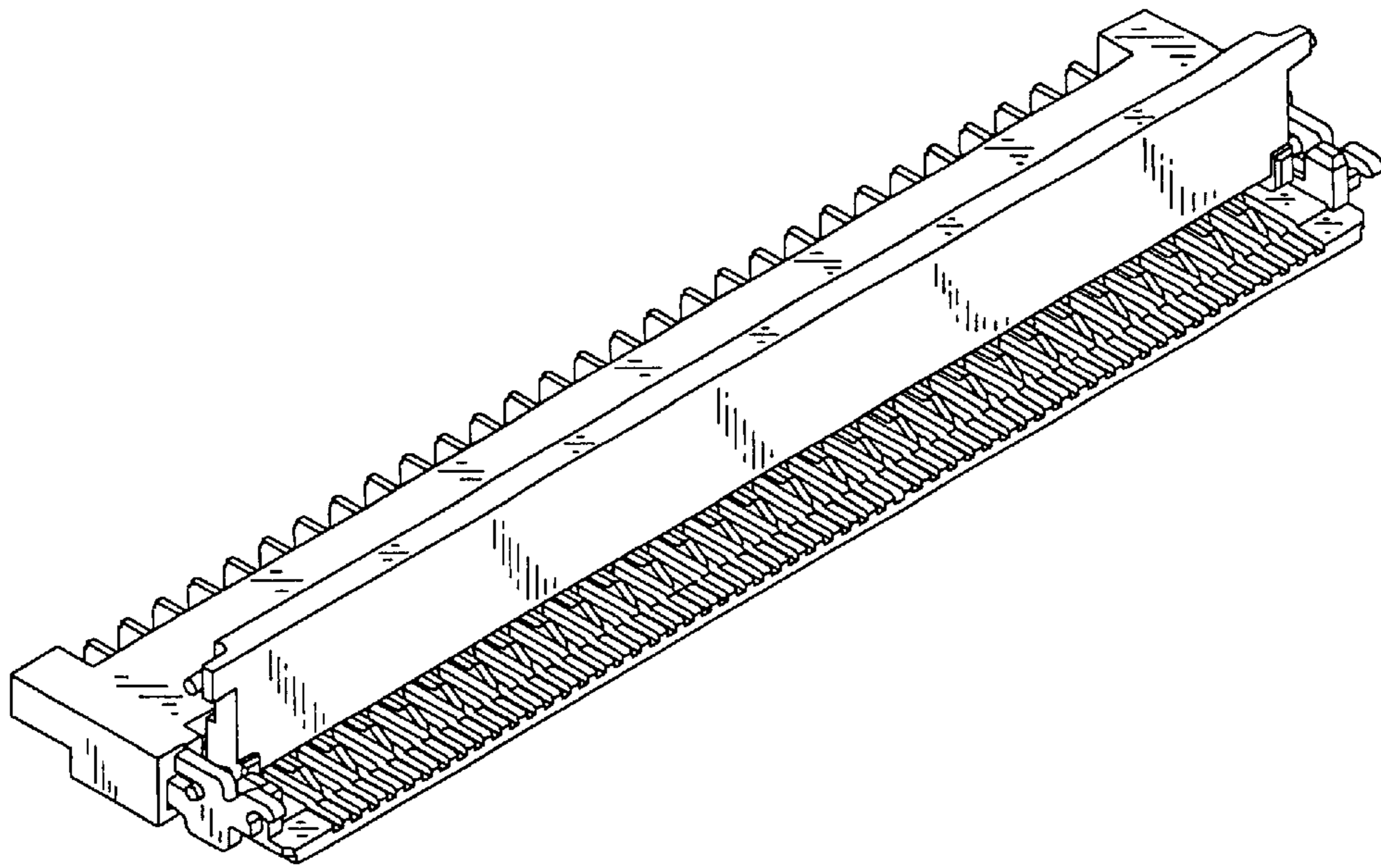


FIG. 4

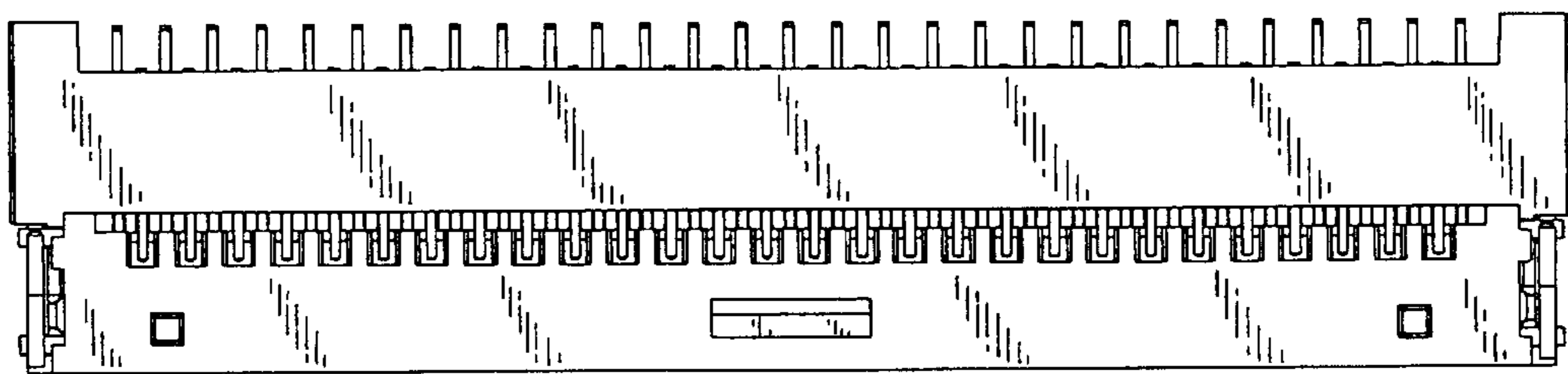


FIG. 5

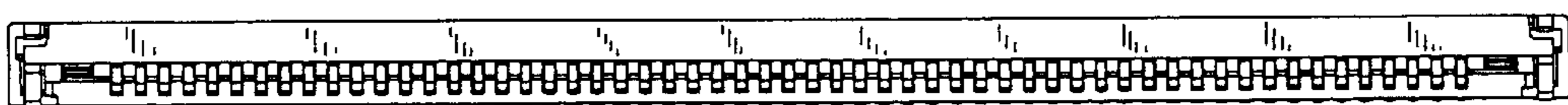


FIG. 6

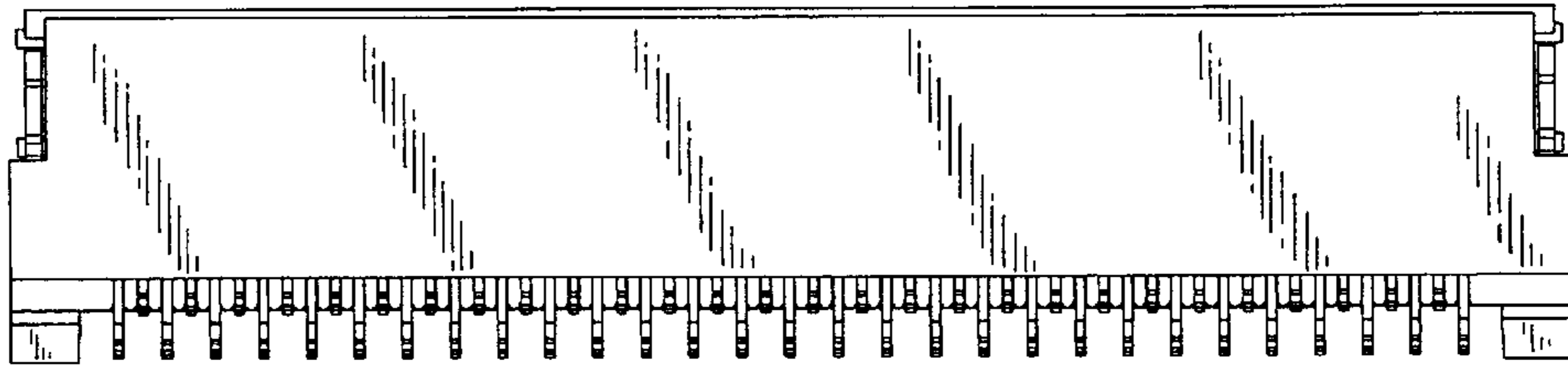


FIG. 7



FIG. 8



FIG. 9

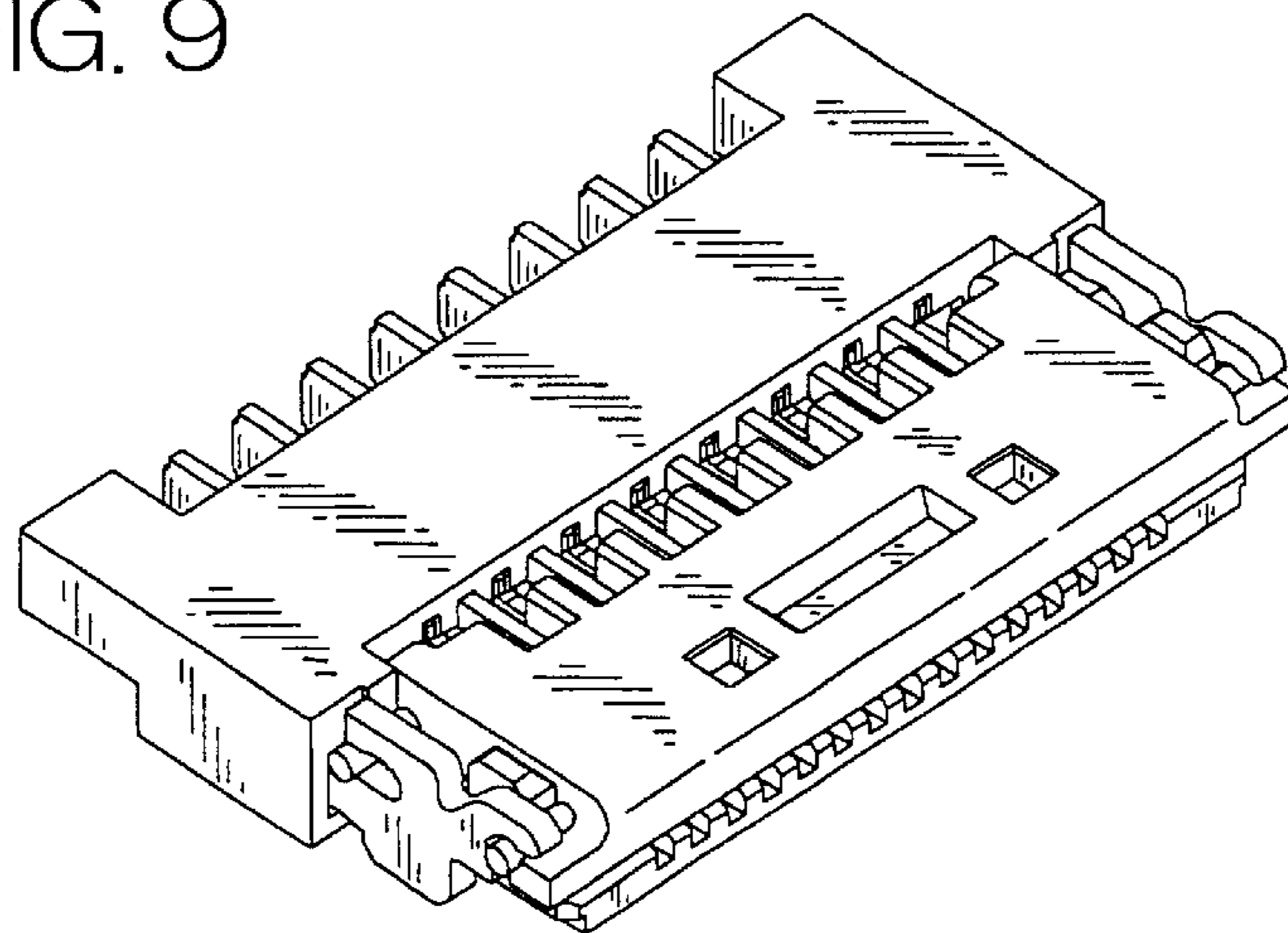


FIG. 10

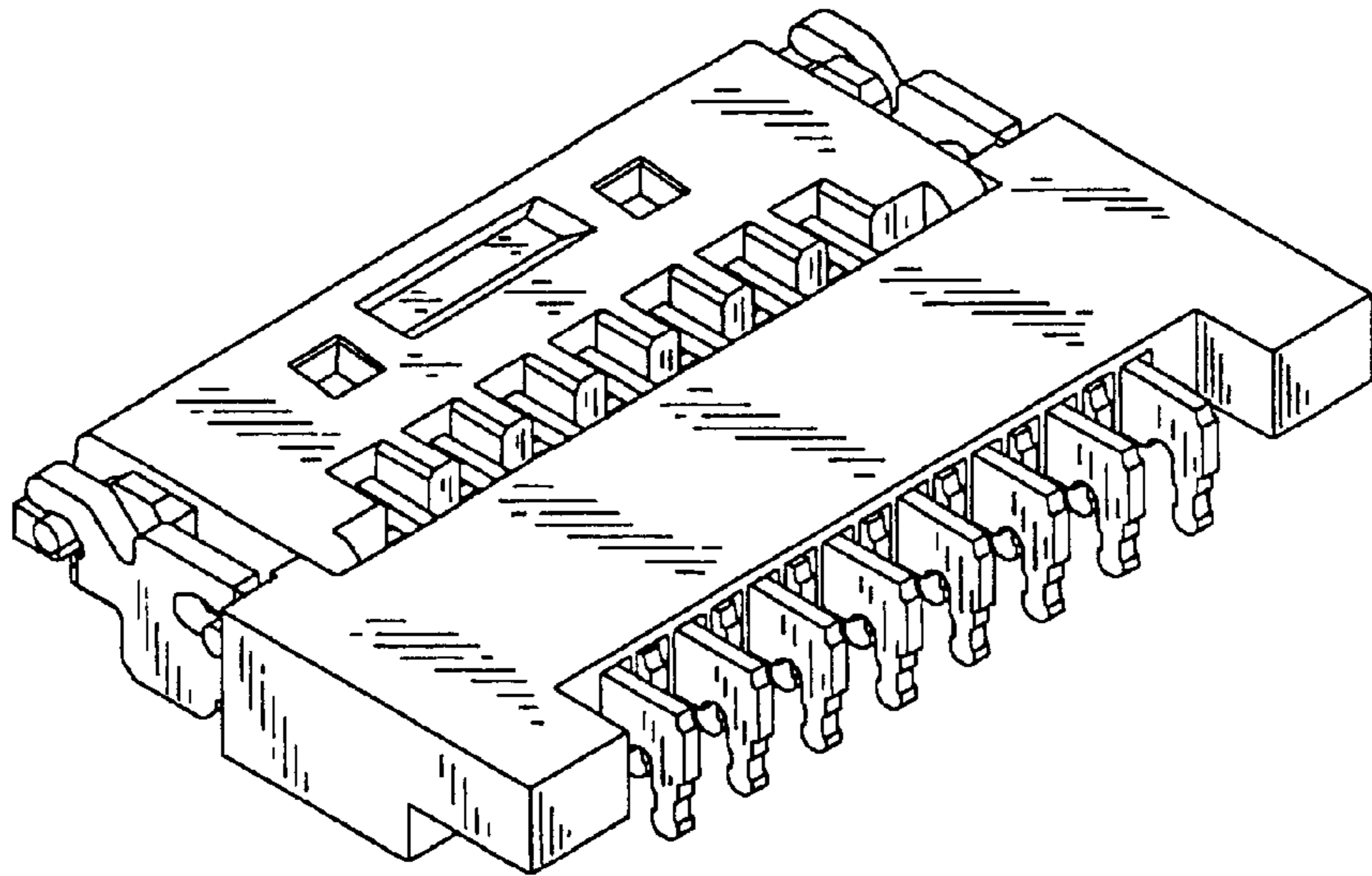


FIG. 11

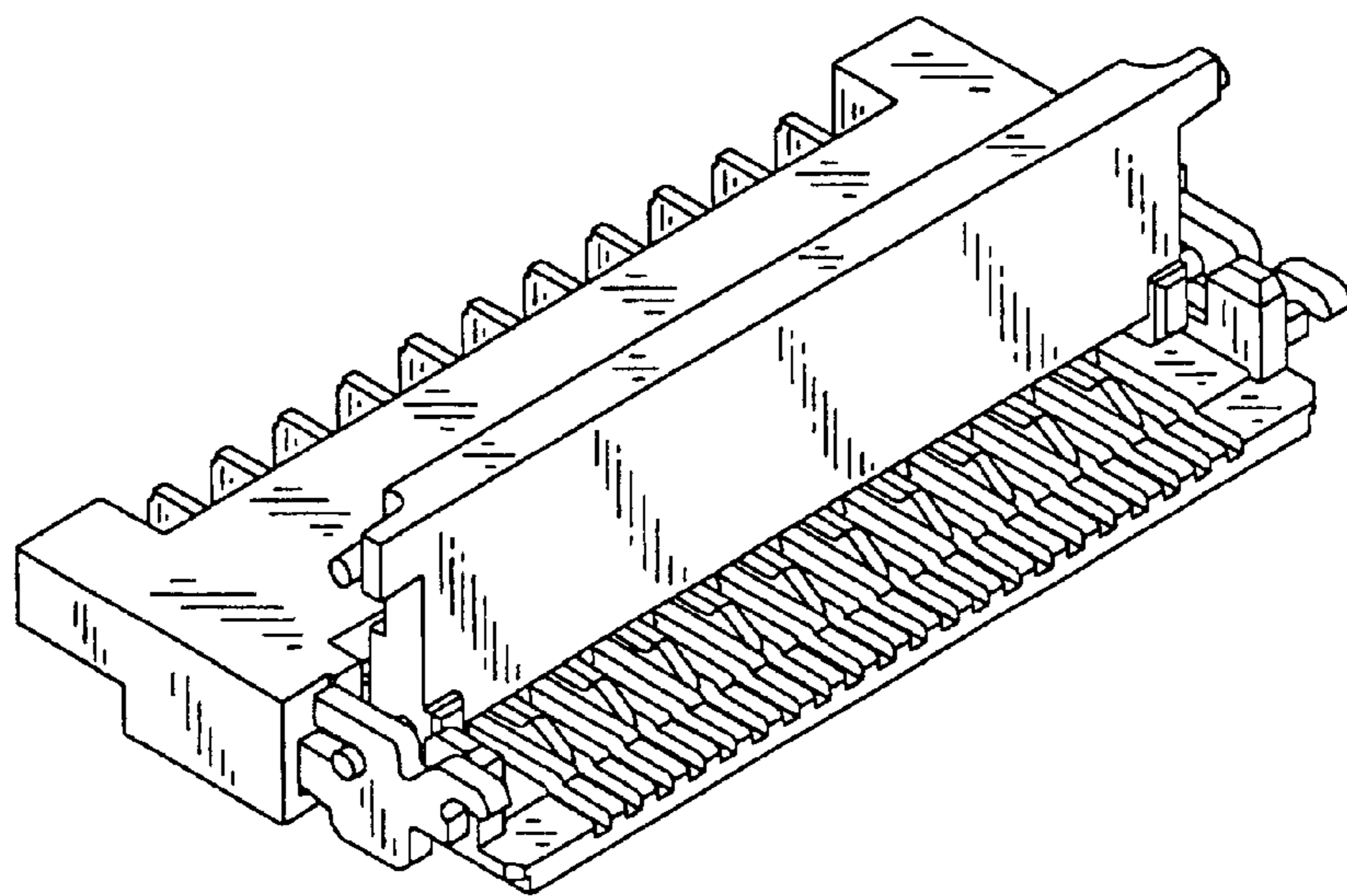


FIG. 12

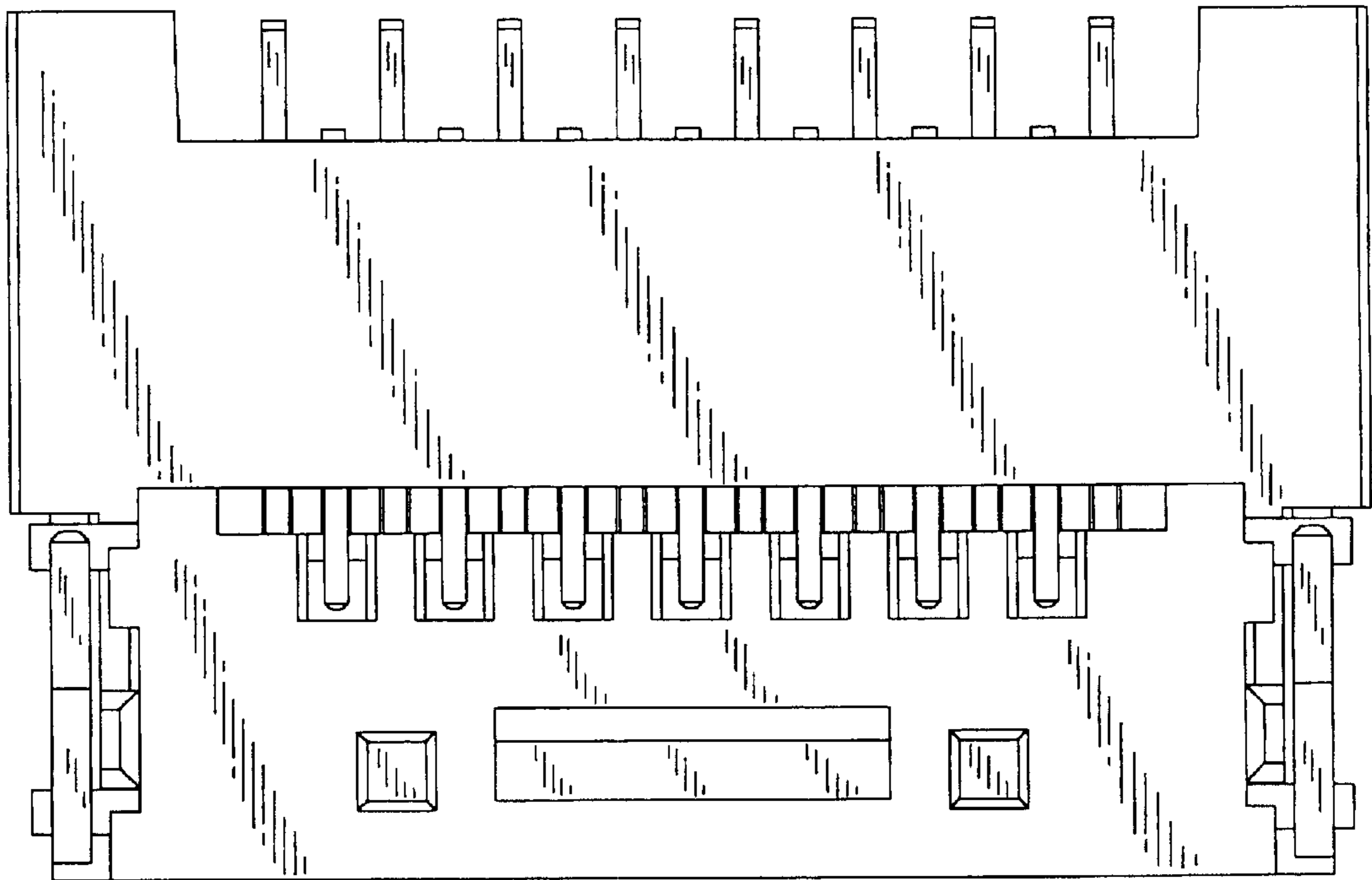


FIG. 13

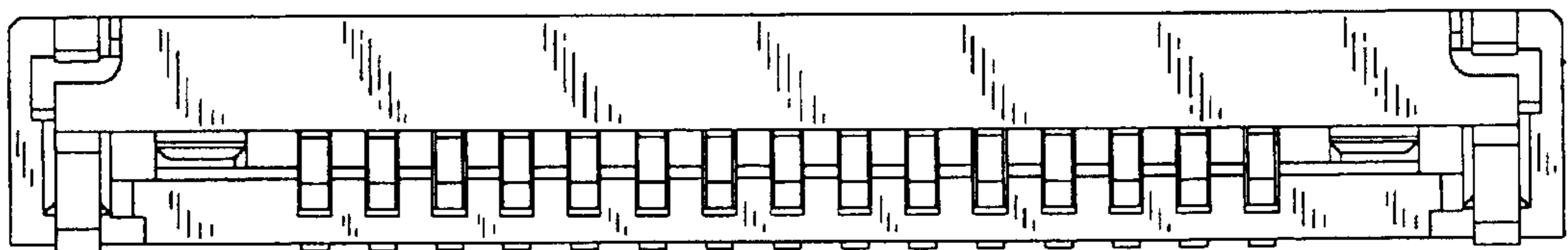


FIG. 14

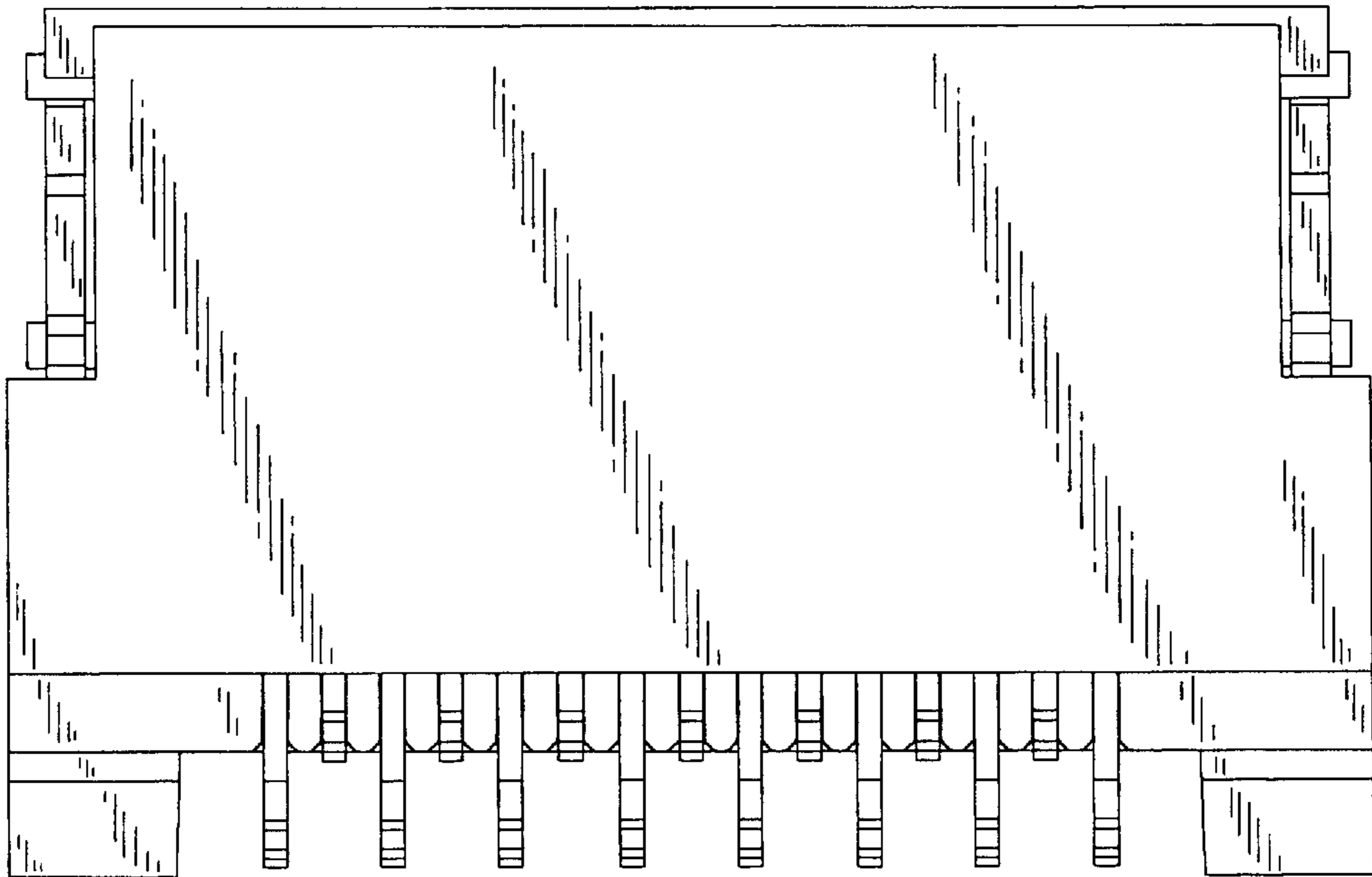


FIG. 15

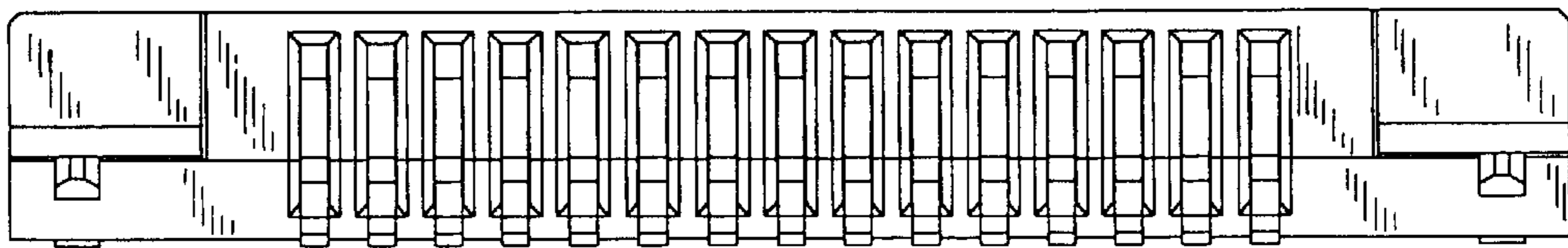


FIG. 16

