



US00D470107S

(12) **United States Design Patent**
Li et al.

(10) **Patent No.:** **US D470,107 S**

(45) **Date of Patent:** **** Feb. 11, 2003**

(54) **ELECTRICAL CONNECTOR**

(75) Inventors: **Chun Sheng Li**, Kunsan (CN); **Guang Xing Shi**, Kunsan (CN)

(73) Assignee: **Hon Hai Precision Ind. Co., Ltd.**,
Taipei Hsien (TW)

(**) Term: **14 Years**

(21) Appl. No.: **29/153,378**

(22) Filed: **Dec. 28, 2001**

(51) **LOC (7) Cl.** **13-03**

(52) **U.S. Cl.** **D13/133**

(58) **Field of Search** D13/133; 439/188,
439/607, 668, 939

(56) **References Cited**

U.S. PATENT DOCUMENTS

| | | | | | | |
|-----------|----|---|---------|-------------|-------|---------|
| 5,092,795 | A | * | 3/1992 | Kitagawa | | 439/668 |
| 6,050,854 | A | * | 4/2000 | Fang et al. | | 439/607 |
| 6,077,126 | A | * | 6/2000 | Peng | | 439/668 |
| 6,231,396 | B1 | * | 5/2001 | Huang | | 439/668 |
| D451,472 | S | * | 12/2001 | Suzuki | | D13/133 |

| | | | | | | |
|--------------|----|---|--------|------------------|-------|---------|
| D454,840 | S | * | 3/2002 | Ohbayashi et al. | | D13/133 |
| D458,903 | S | * | 6/2002 | Ohbayashi et al. | | D13/147 |
| D459,303 | S | * | 6/2002 | Florescu | | D13/133 |
| D461,770 | S | * | 8/2002 | Ma et al. | | D13/133 |
| 2002/0039851 | A1 | * | 4/2002 | Mou et al. | | 439/188 |
| 2002/0052150 | A1 | * | 5/2002 | Ohbayashi et al. | | 439/668 |

* cited by examiner

Primary Examiner—Joel Sincavage

(74) *Attorney, Agent, or Firm*—Wei Te Chung

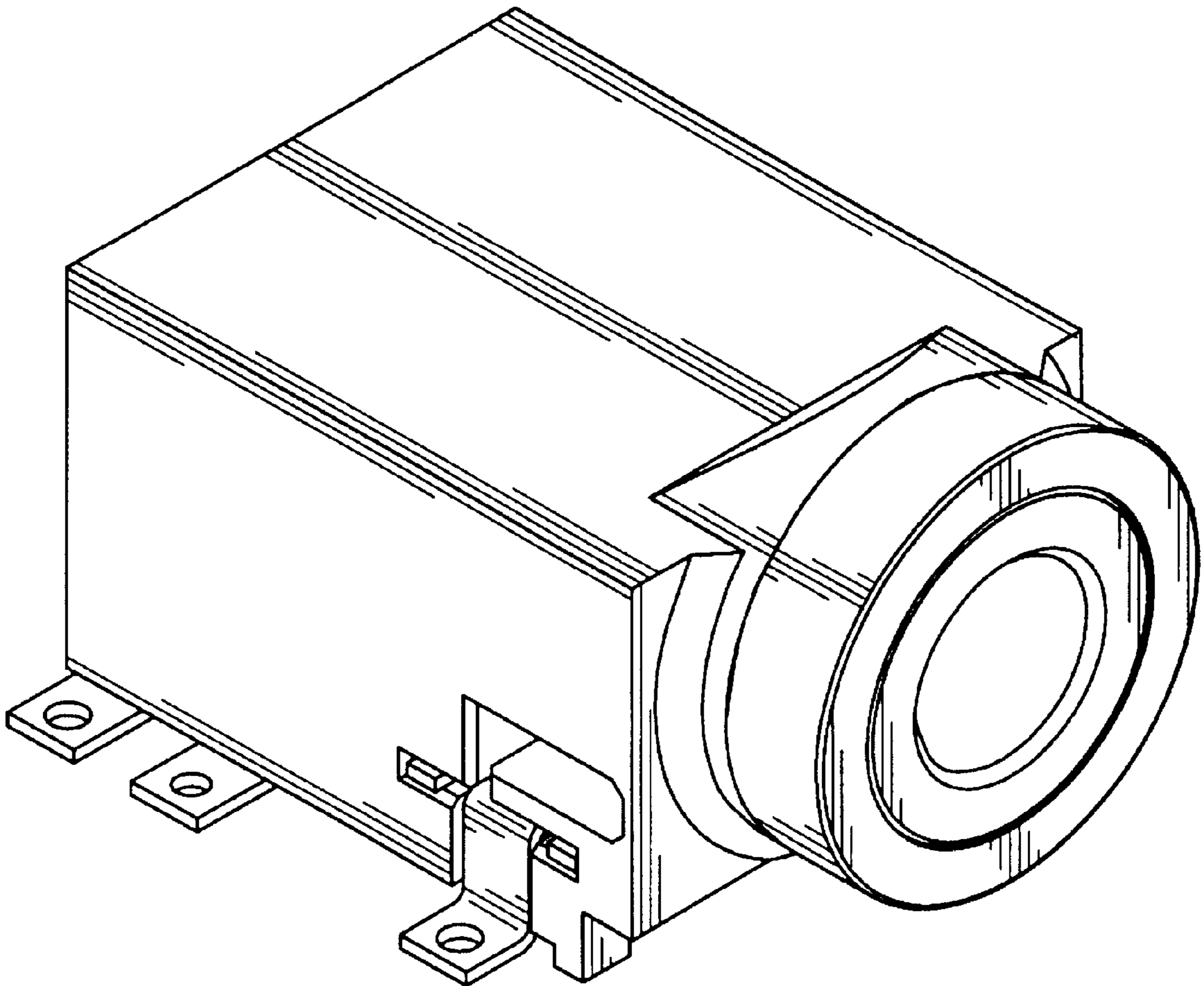
(57) **CLAIM**

The ornamental design for an electrical connector, as shown.

DESCRIPTION

FIG. 1 is a front, top and left side perspective view of an electrical connector showing our new design; FIG. 2 is a front elevational view thereof; FIG. 3 is a rear elevational view thereof; FIG. 4 is a left side elevational view thereof; FIG. 5 is a right side elevational view thereof; FIG. 6 is a top plan view thereof; and, FIG. 7 is a bottom plan view thereof.

1 Claim, 5 Drawing Sheets



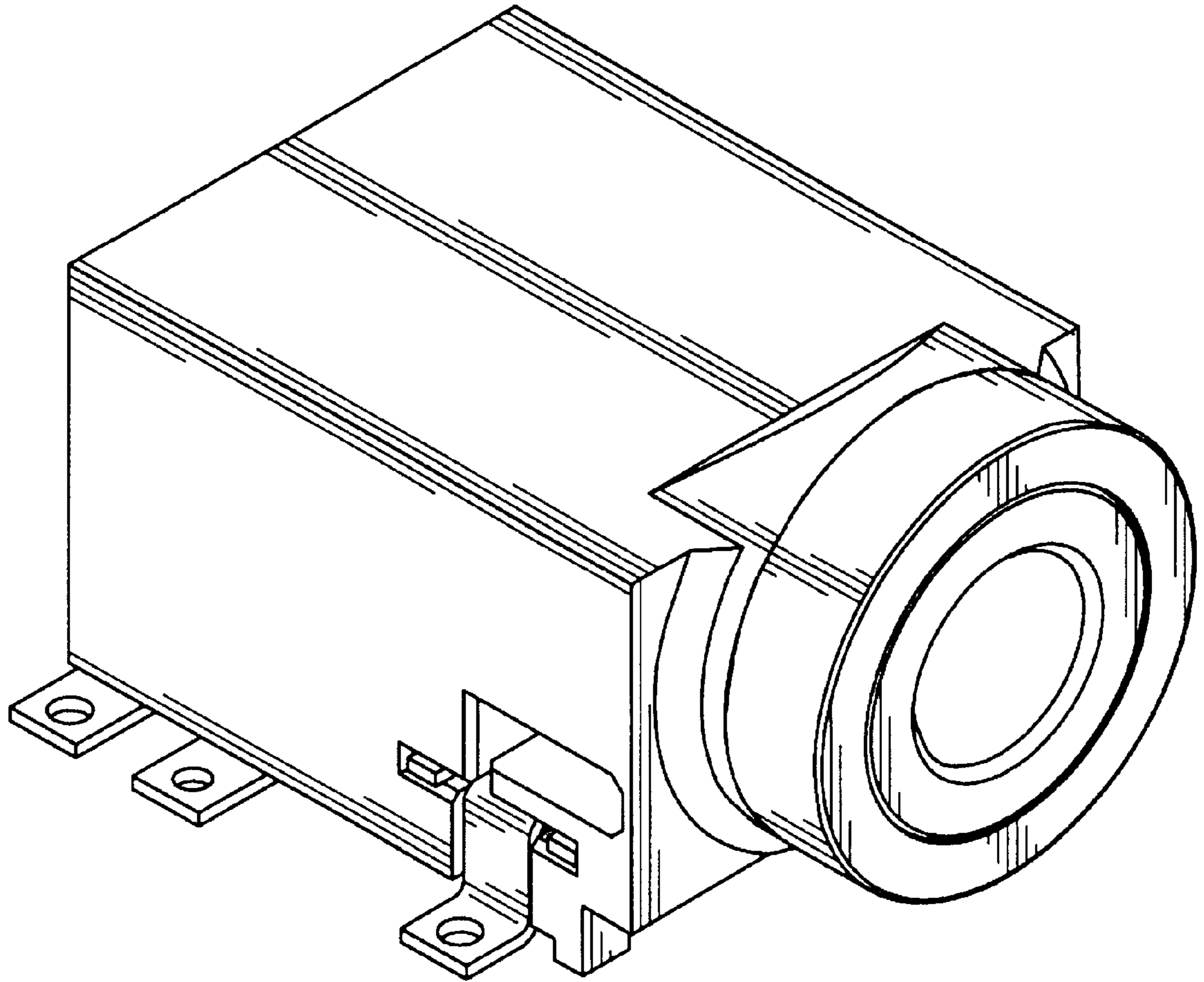


FIG. 1

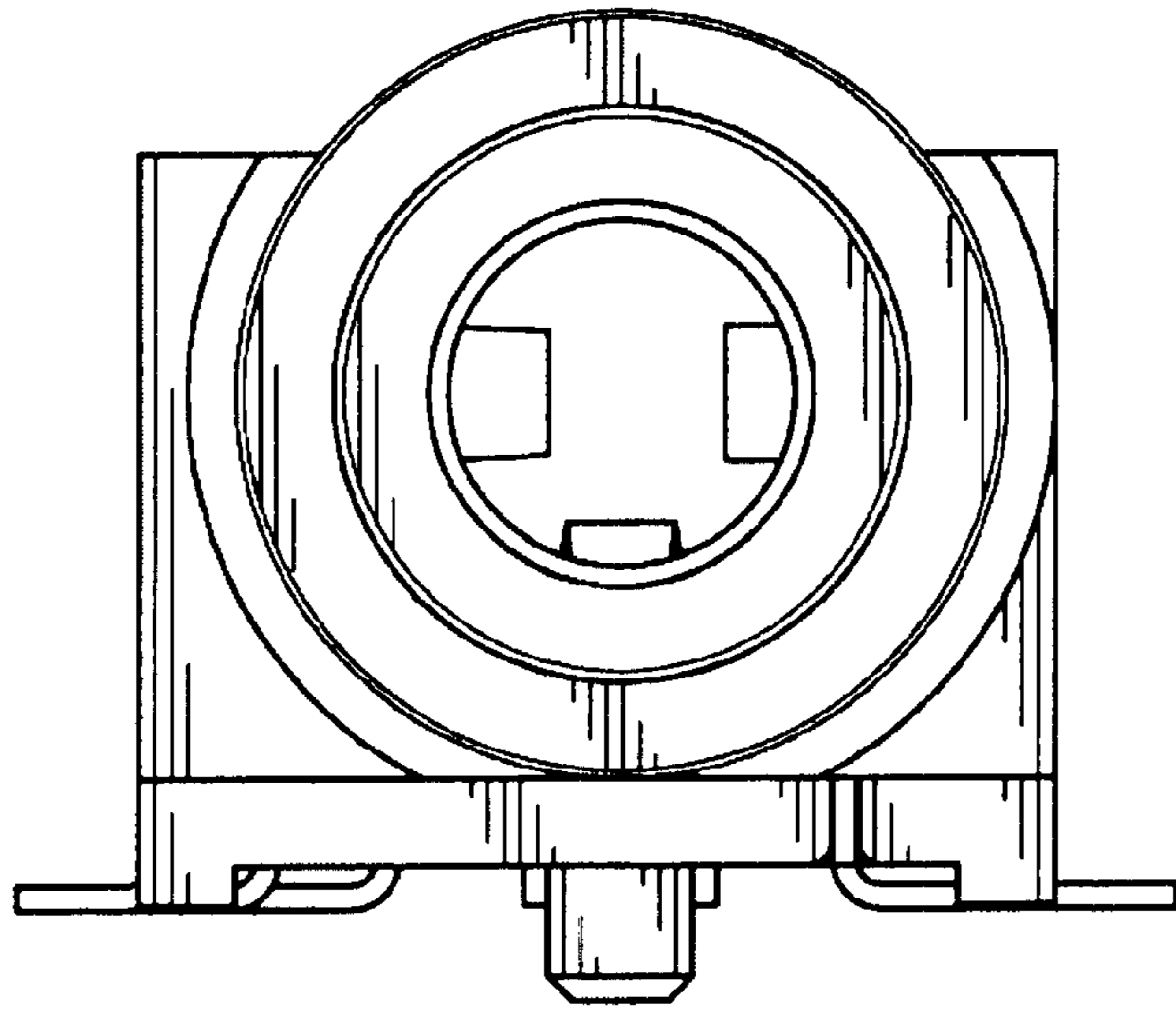


FIG. 2

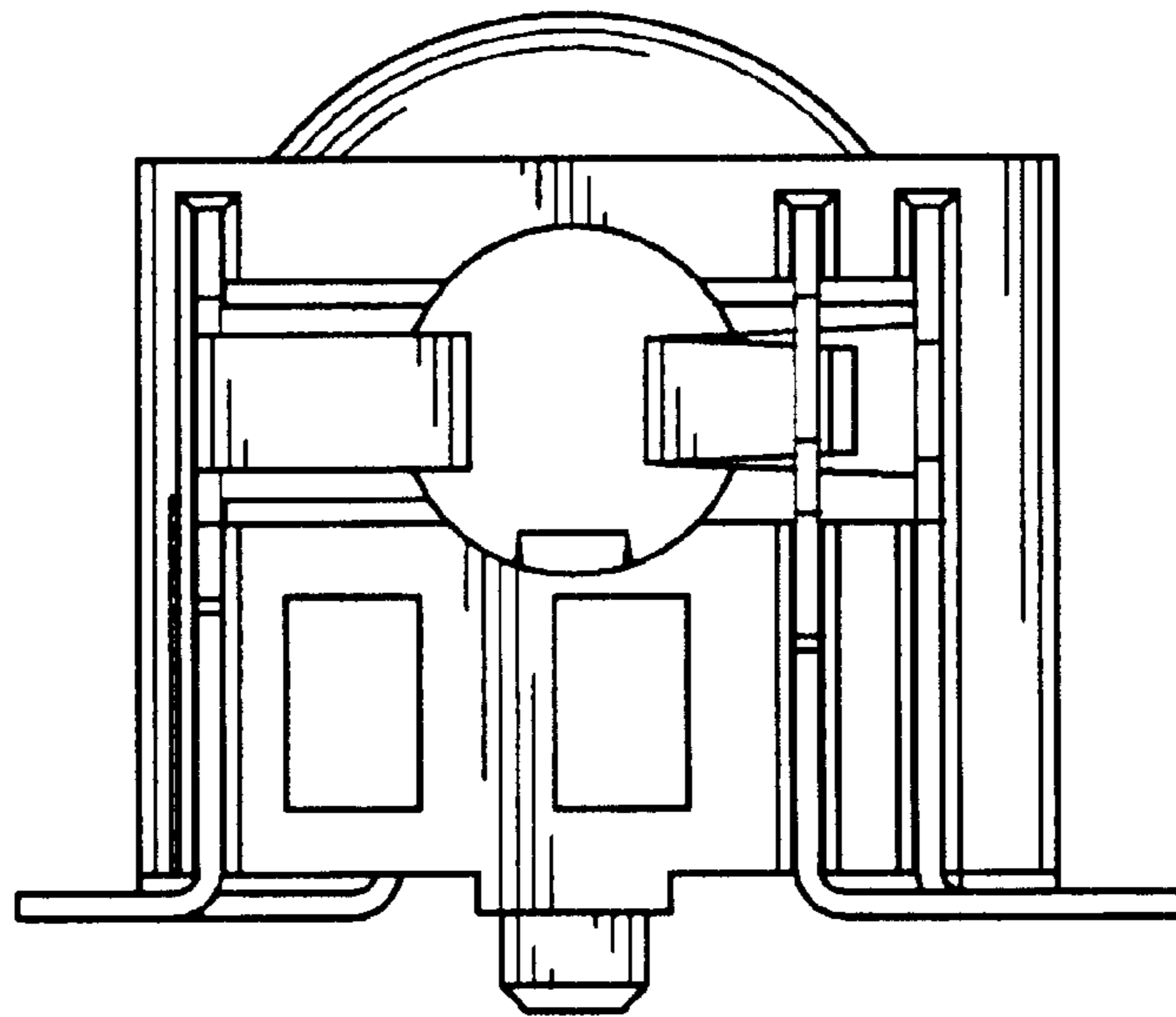


FIG. 3

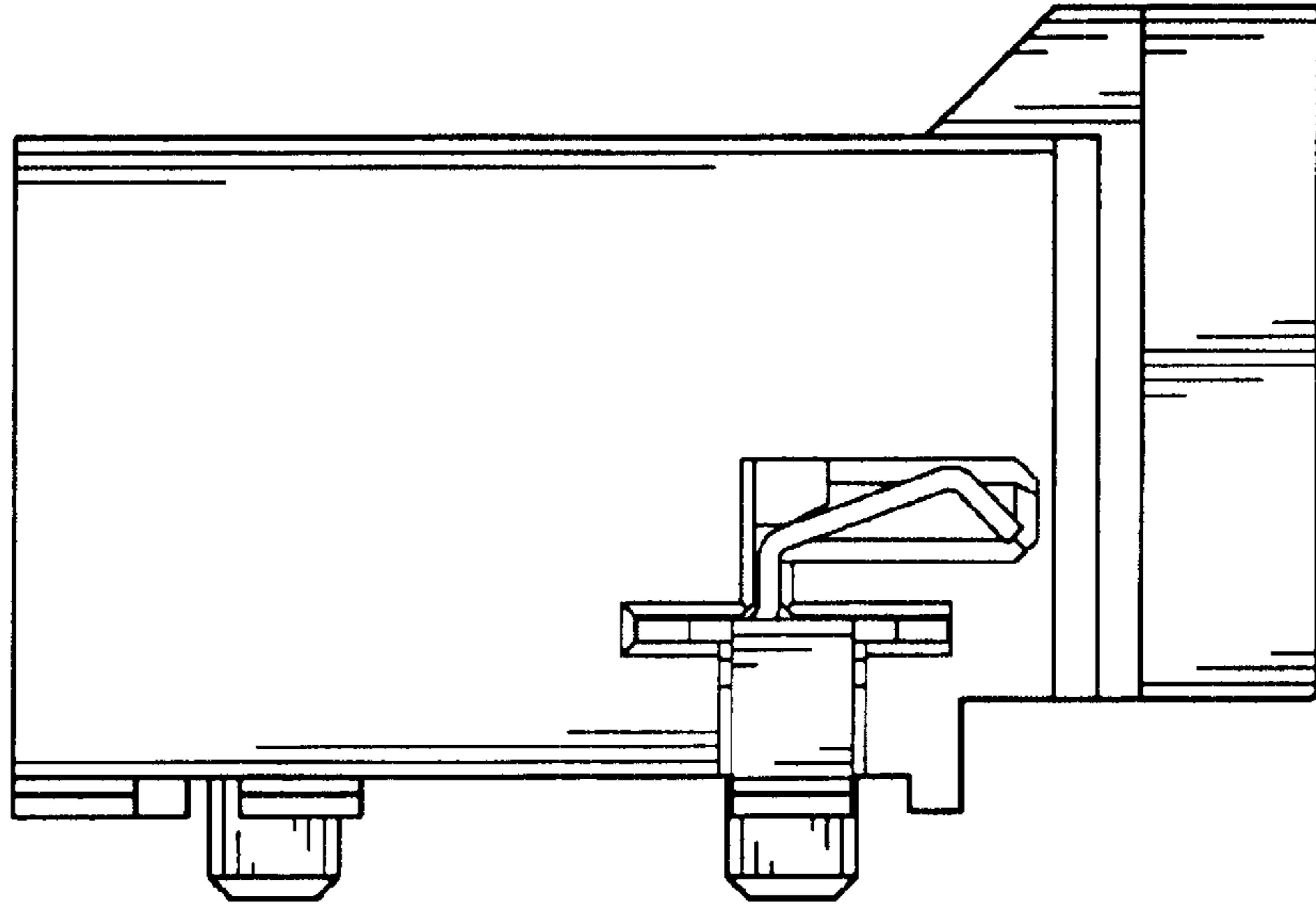


FIG. 4

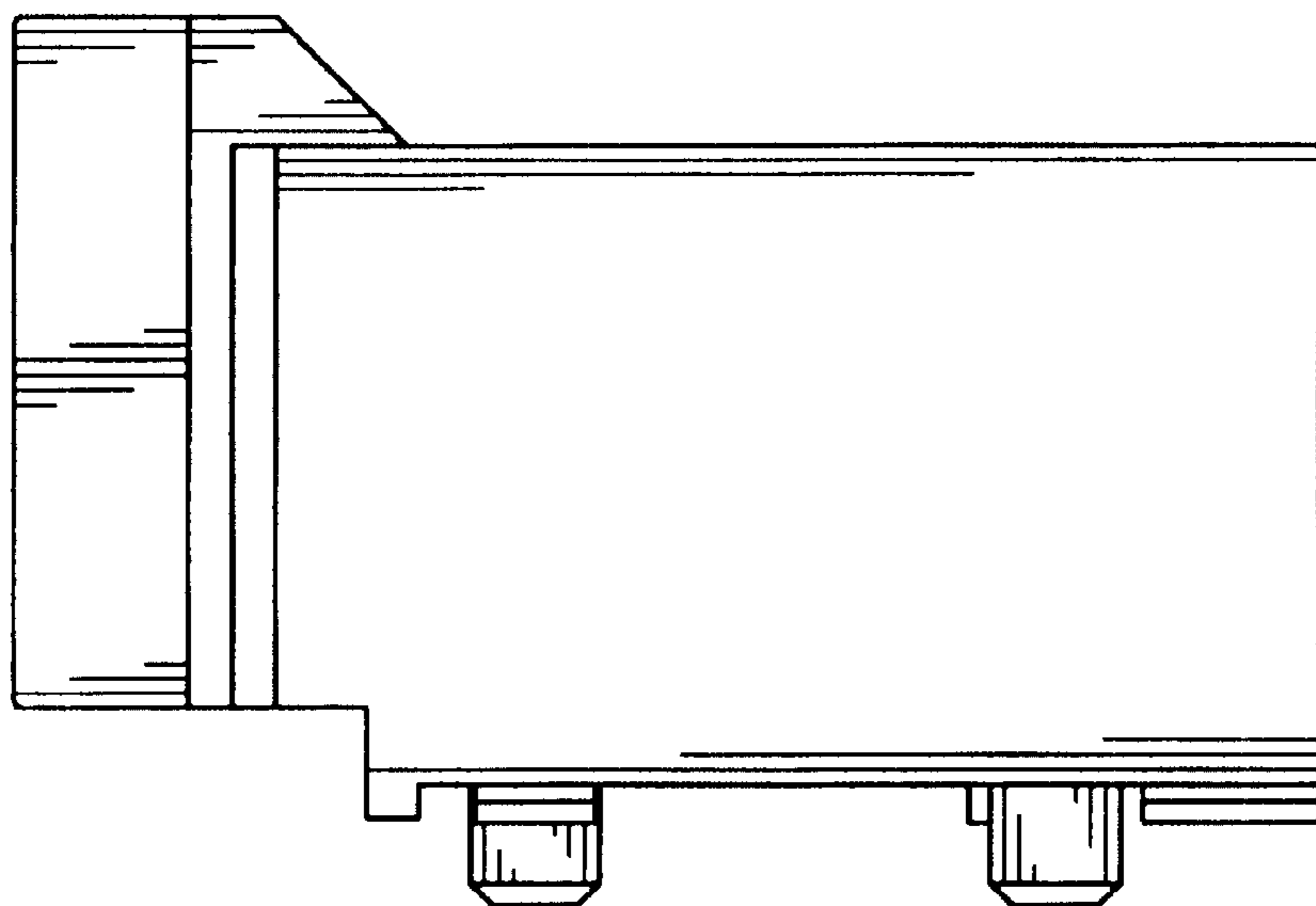


FIG. 5

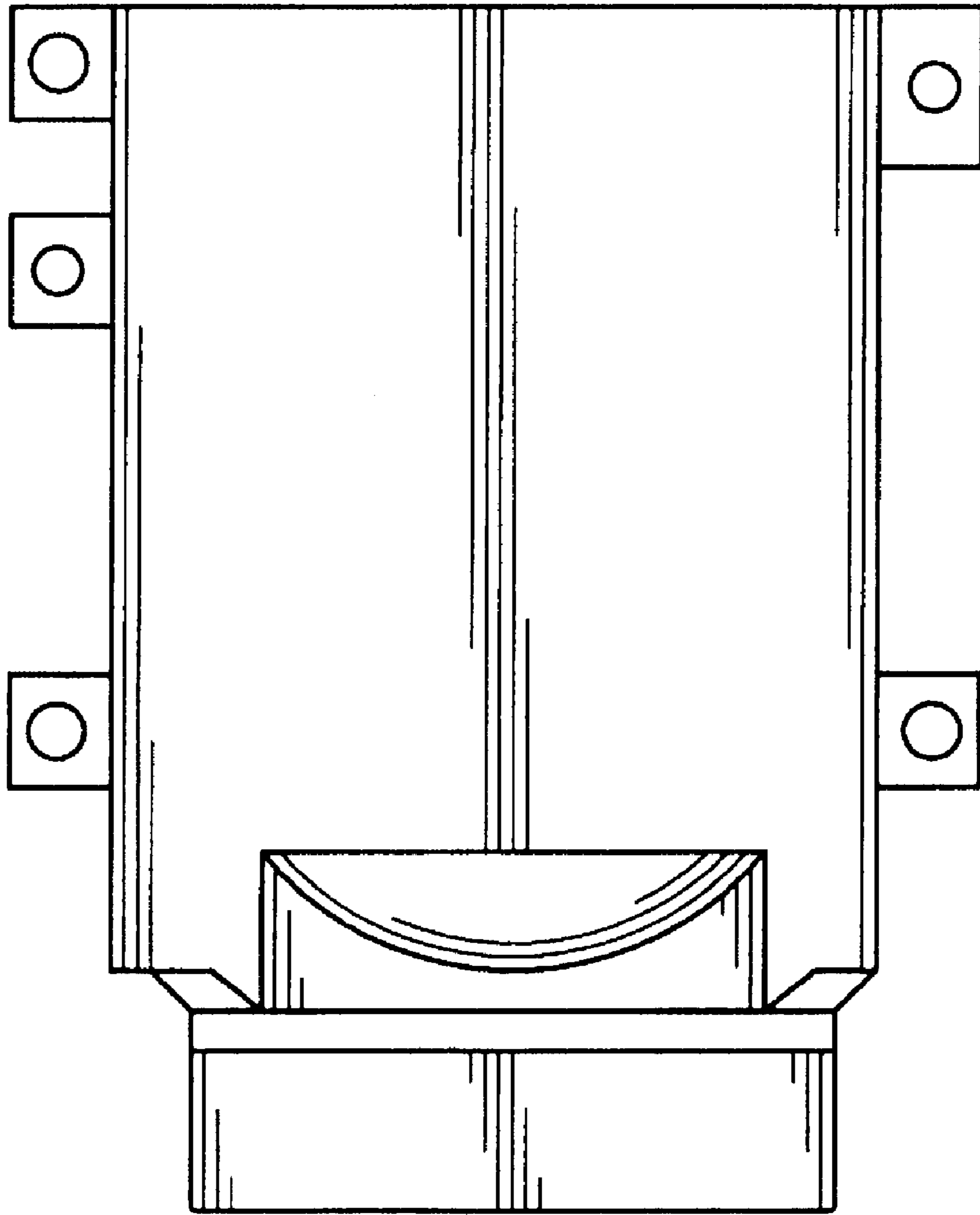


FIG. 6

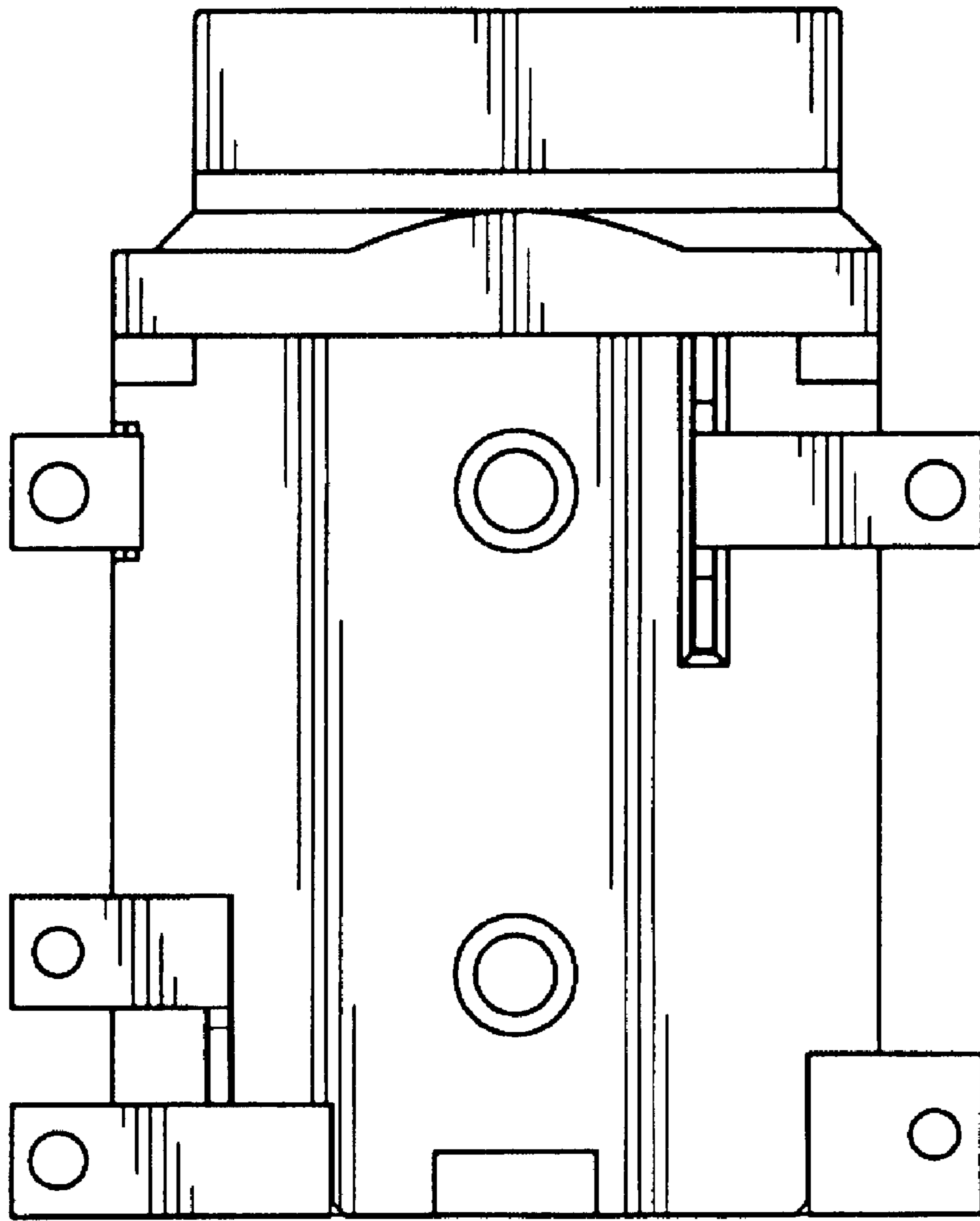


FIG. 7