



US00D470105S

(12) **United States Design Patent**
Ibaraki et al.

(10) **Patent No.:** **US D470,105 S**

(45) **Date of Patent:** **** Feb. 11, 2003**

(54) **ELECTRICAL CONNECTOR**

(75) Inventors: **Kazuaki Ibaraki**, Higashimurayama (JP); **Masao Higuchi**, Akishima (JP)

(73) Assignee: **Japan Aviation Electronics Industry, Ltd.**, Tokyo (JP)

(**) Term: **14 Years**

(21) Appl. No.: **29/152,565**

(22) Filed: **Dec. 20, 2001**

(51) **LOC (7) Cl.** **13-03**

(52) **U.S. Cl.** **D13/133**

(58) **Field of Search** D13/133; 439/31, 439/165

(56) **References Cited**

U.S. PATENT DOCUMENTS

3,857,625	A	*	12/1974	Crane et al.	439/31
3,860,312	A	*	1/1975	Gordon, Jr.	439/31
5,395,248	A	*	3/1995	Kinoshita et al.	439/31 X
5,606,730	A	*	2/1997	Rush et al.	439/31 X
5,681,176	A	*	10/1997	Ibaraki et al.	439/165

5,751,544 A * 5/1998 Song 439/165 X

6,350,155 B1 * 2/2002 Mullinger-Bausch et al. 439/31 X

6,352,434 B1 * 3/2002 Emmert 439/165 X

2002/0076960 A1 * 6/2002 Ibaraki et al. 439/165

* cited by examiner

Primary Examiner—Joel Sincavage

(74) *Attorney, Agent, or Firm*—Michael Best & Friedrich, LLC

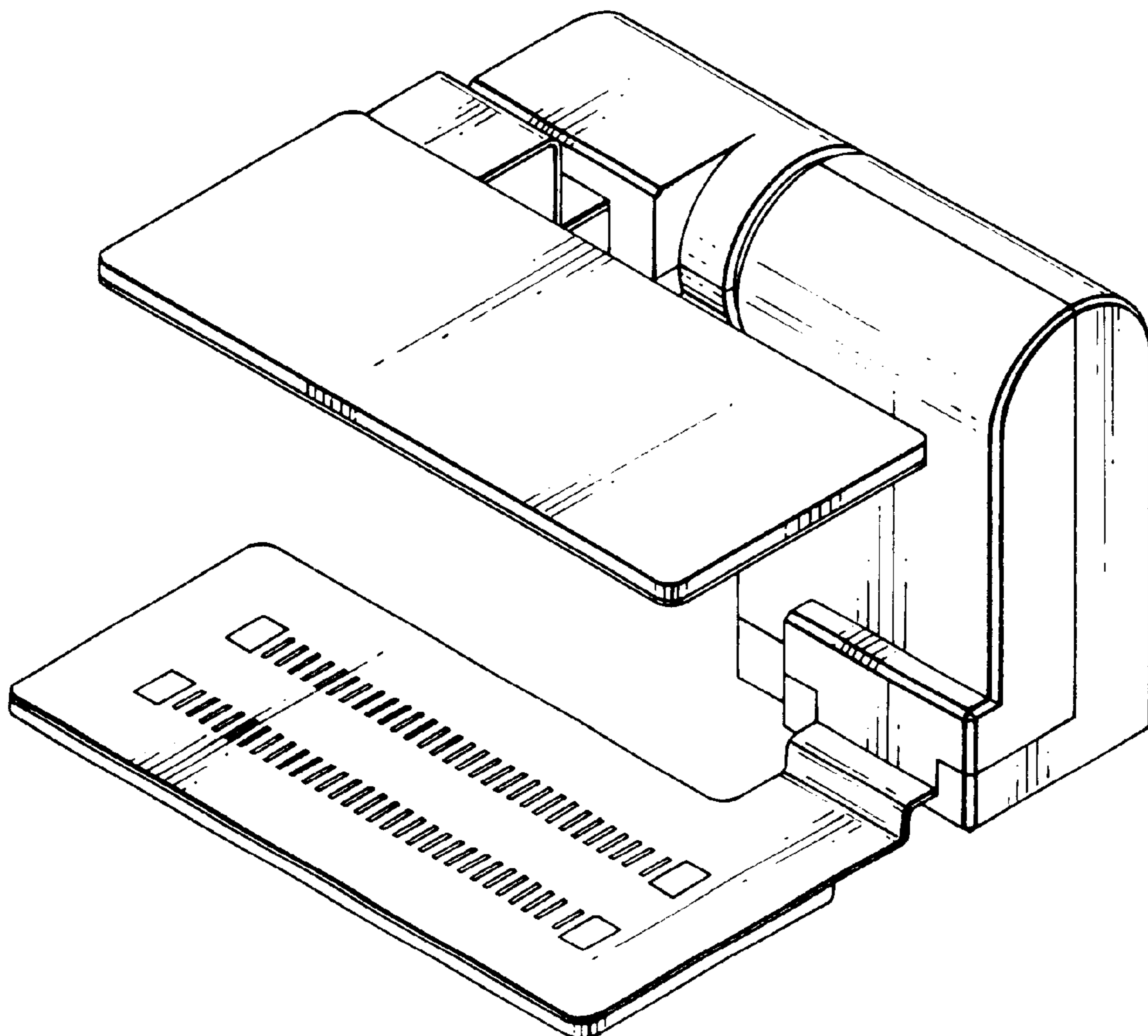
(57) **CLAIM**

The ornamental design for an electrical connector, as shown and described.

DESCRIPTION

FIG. 1 is a front elevational view of an electrical connector; FIG. 2 is a rear elevational view thereof; FIG. 3 is a right side elevational view thereof; FIG. 4 is a left side elevational view thereof; FIG. 5 is a top plan view thereof; FIG. 6 is a bottom plan view thereof; and, FIG. 7 is a perspective view of the front and right side thereof.

1 Claim, 5 Drawing Sheets



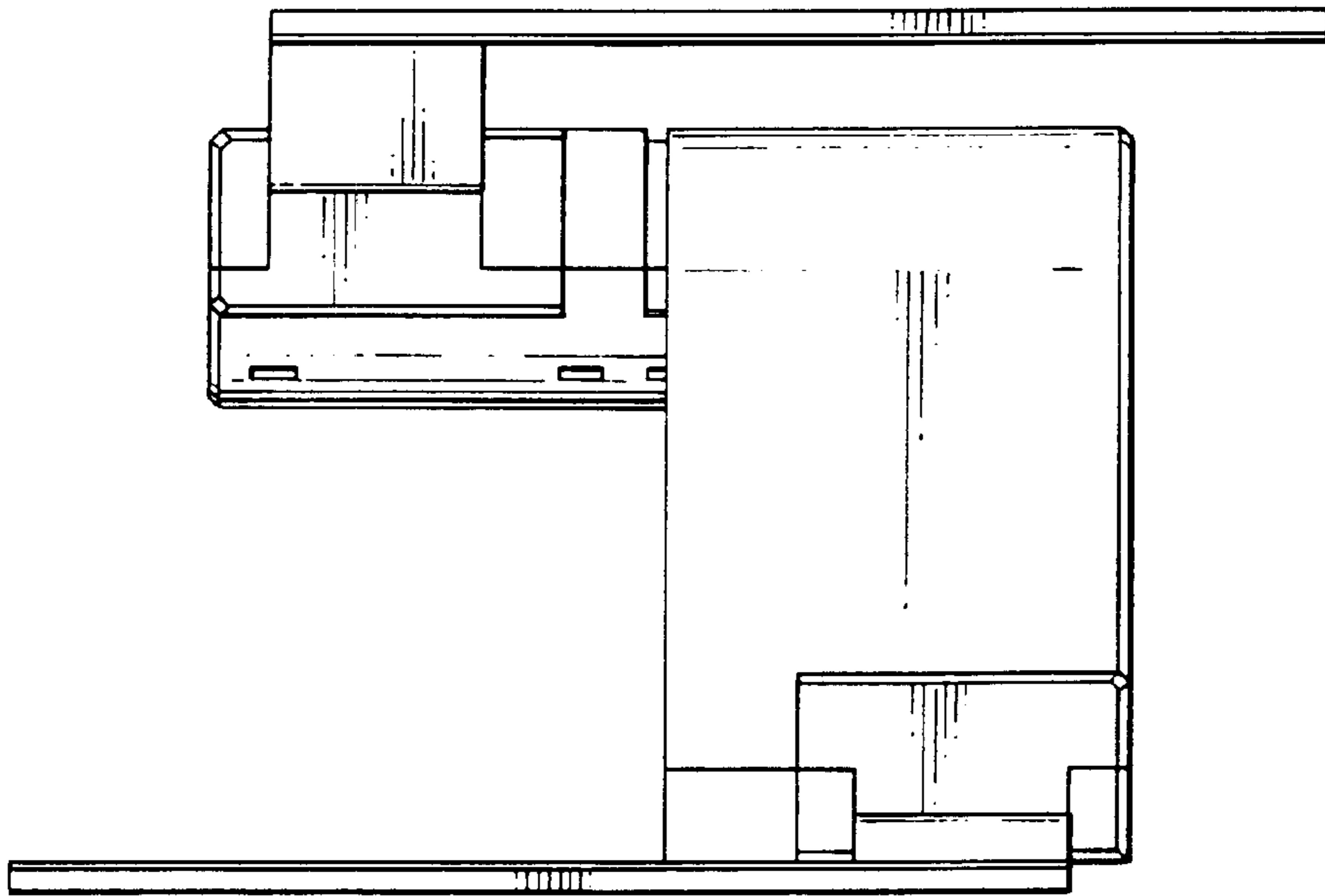


FIG. 1

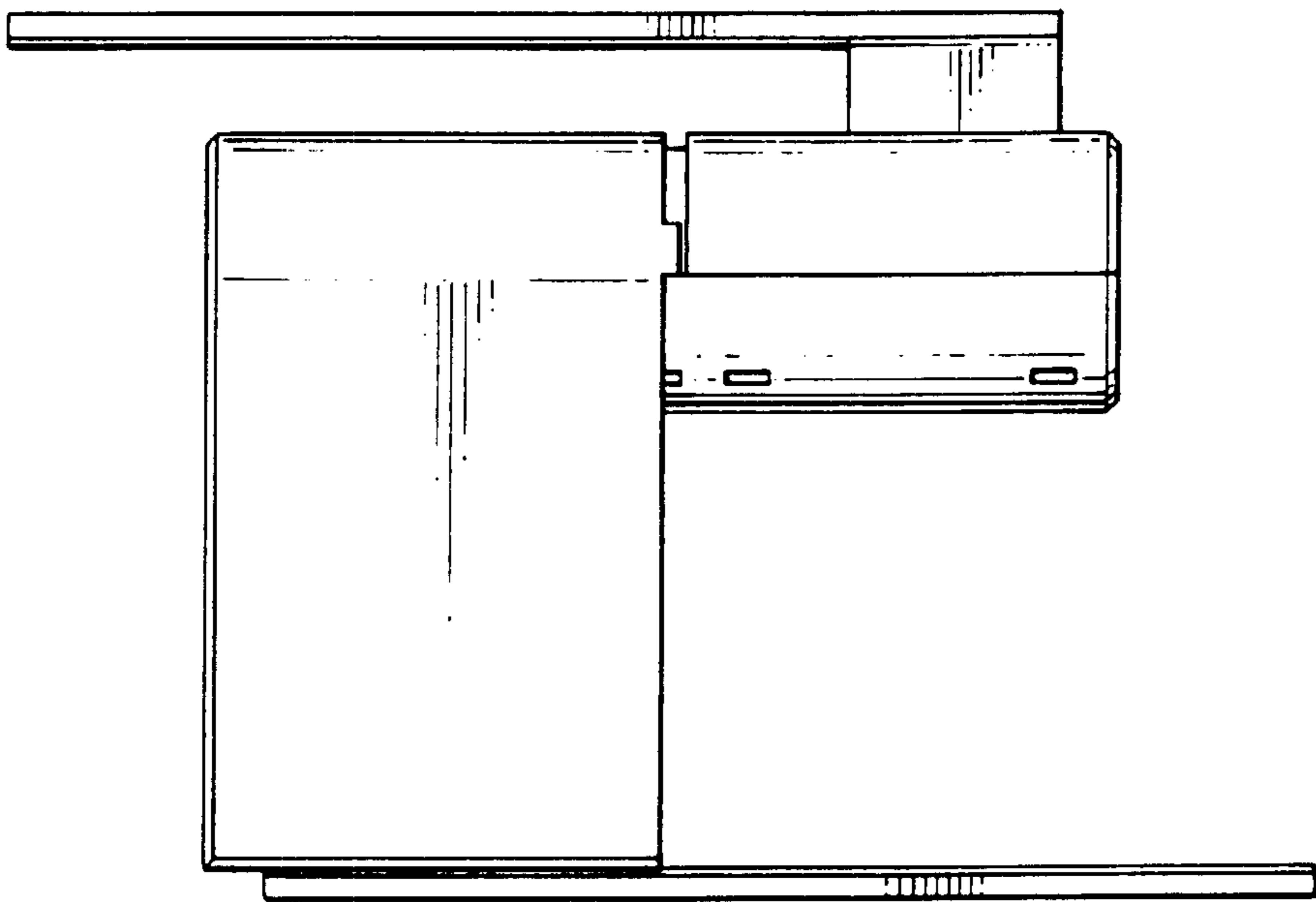


FIG. 2

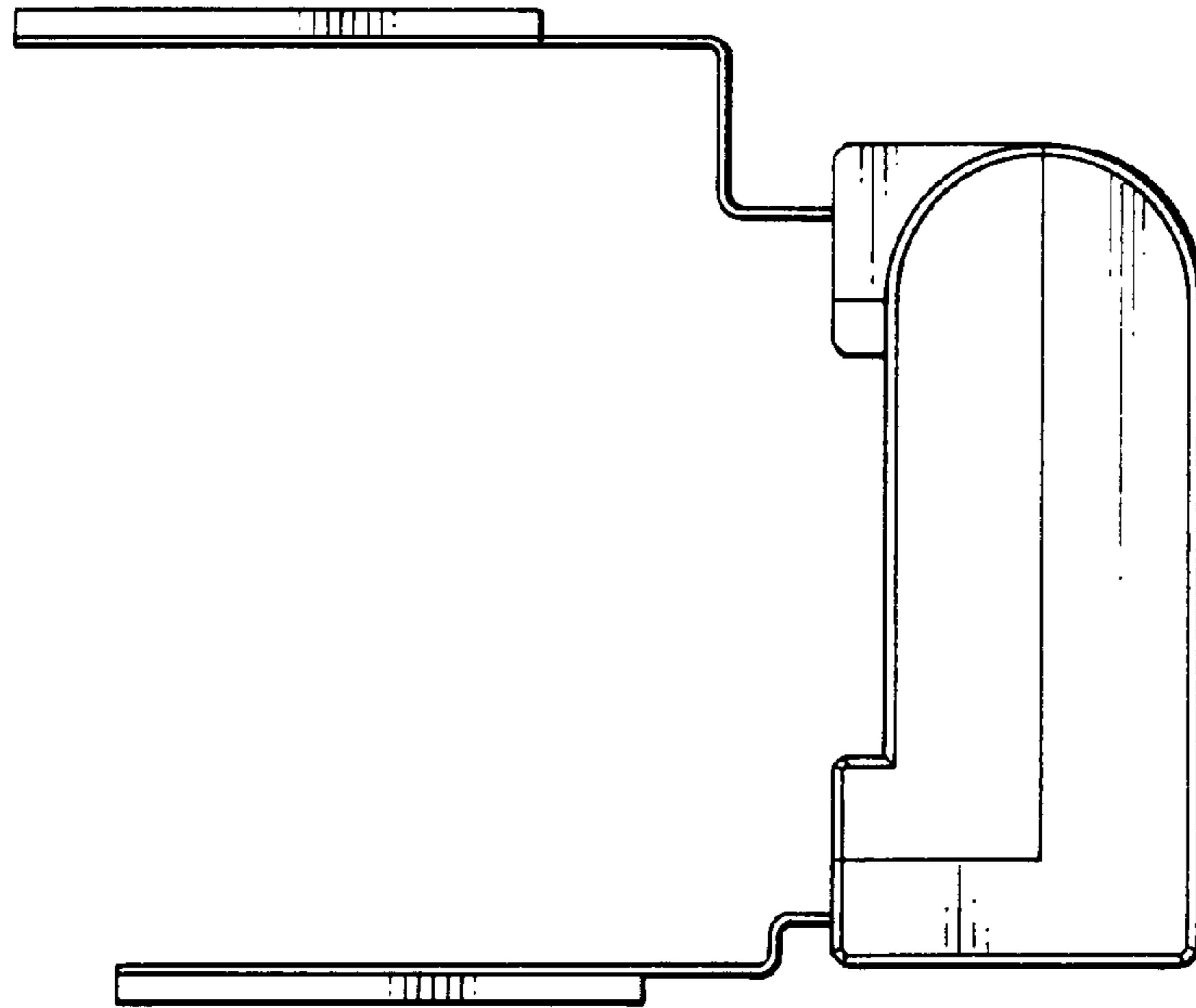


FIG. 3

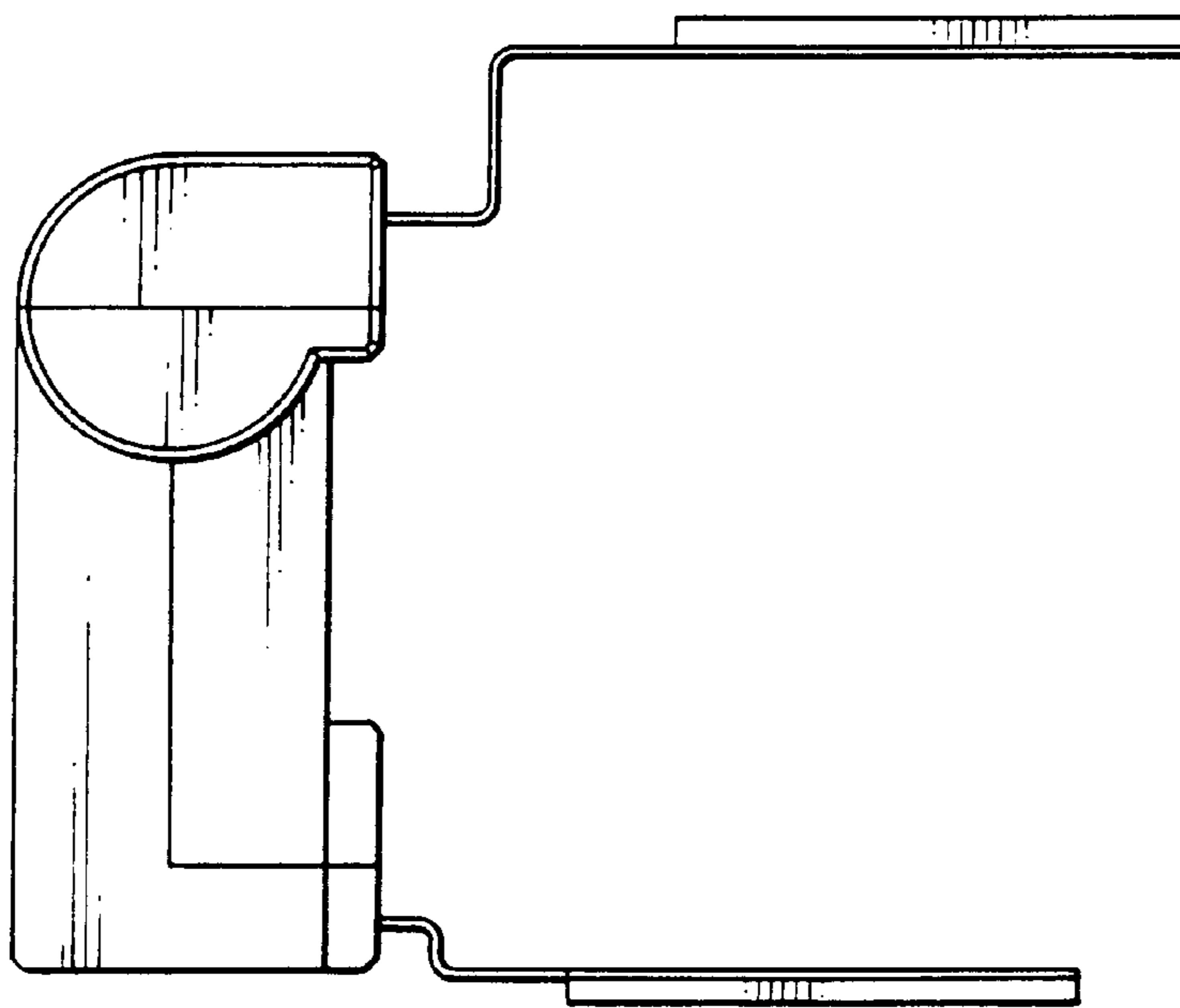


FIG. 4

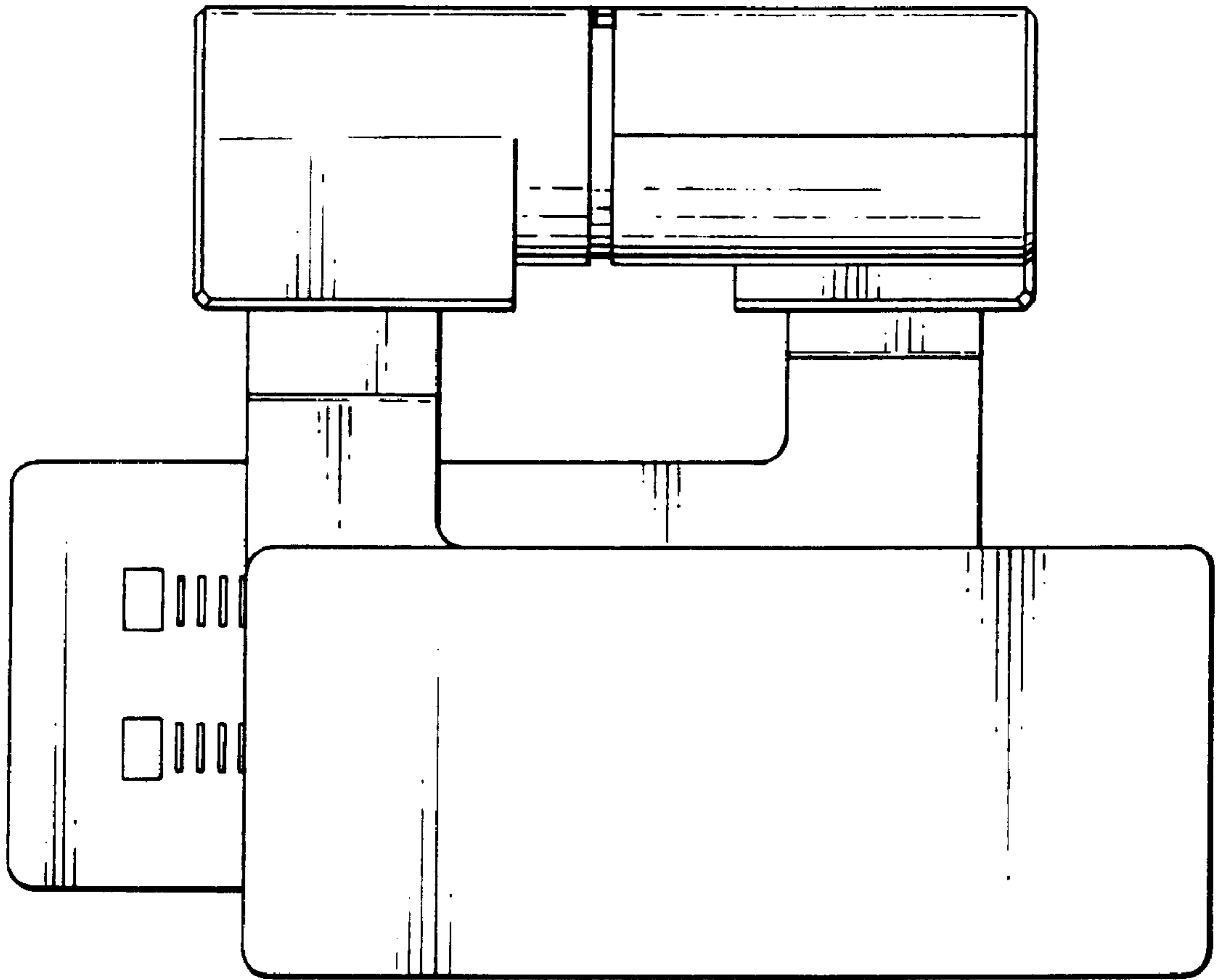


FIG. 5

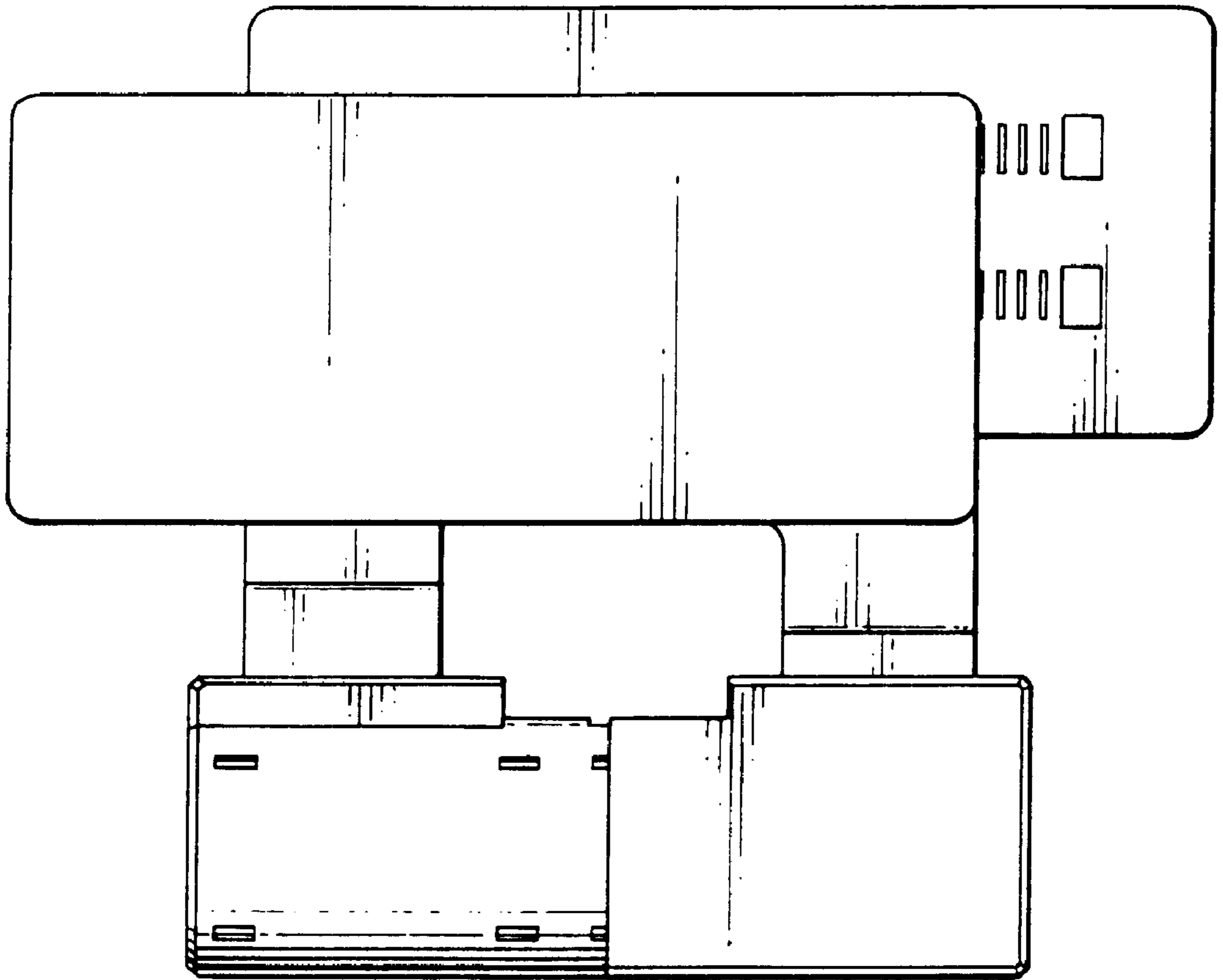


FIG. 6

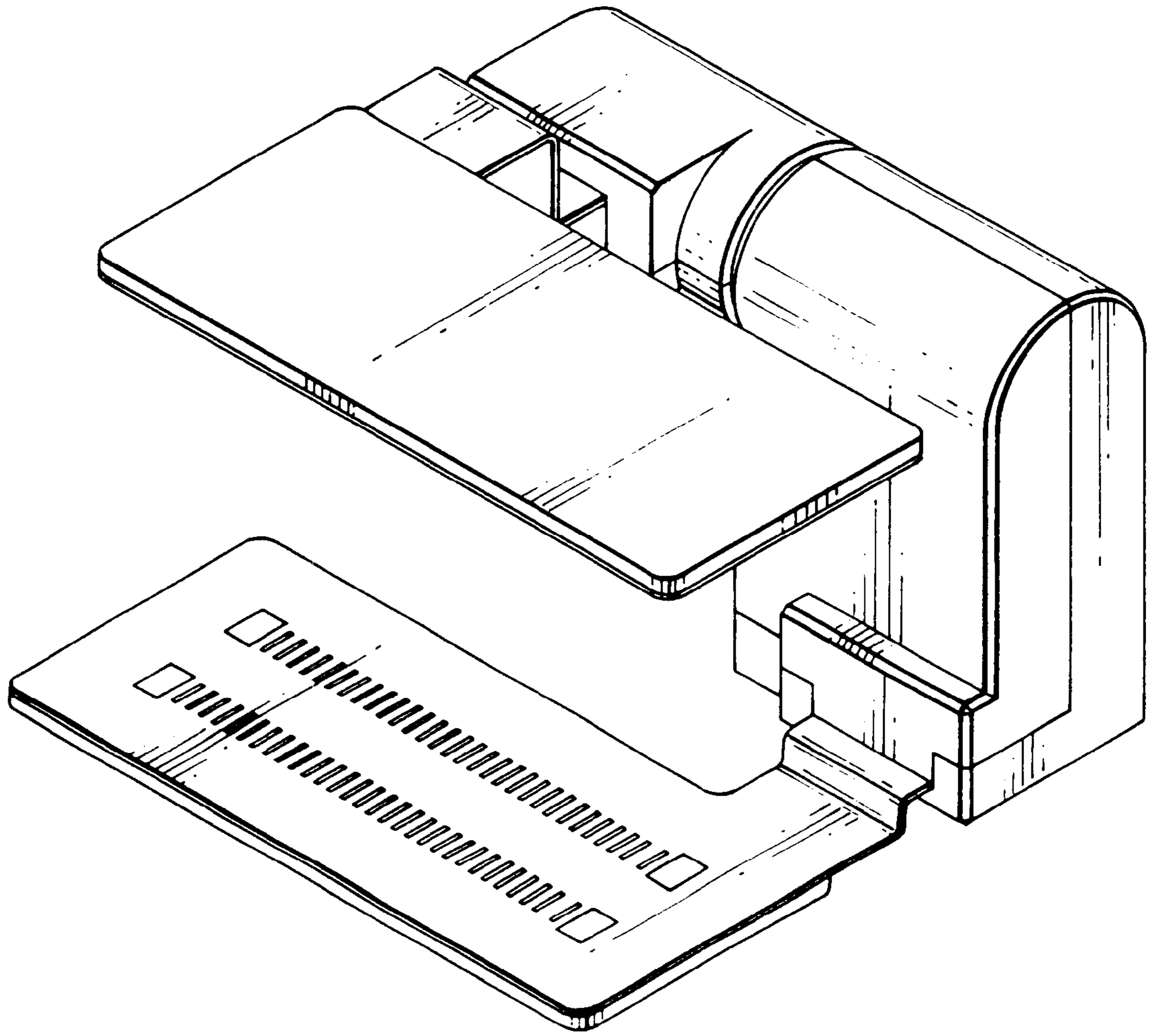


FIG. 7