



US00D470104S

(12) **United States Design Patent**  
**Owen et al.**

(10) **Patent No.:** **US D470,104 S**

(45) **Date of Patent:** **\*\* Feb. 11, 2003**

(54) **BATTERY COVER**

6,400,567 B1 \* 6/2002 McKeen et al. .... 361/695

\* cited by examiner

(76) Inventors: **Gary R. Owen**, 6925 Vahalla, Fort Worth, TX (US) 76116; **Ricky A. Posey**, 5701 Sandshell #1, Fort Worth, TX (US) 76137

*Primary Examiner*—Joel Sincavage  
(74) *Attorney, Agent, or Firm*—Arthur F Zobal

(\*\*) Term: **14 Years**

(57) **CLAIM**

The ornamental design for a battery cover, as shown and described.

(21) Appl. No.: **29/156,880**

**DESCRIPTION**

(22) Filed: **Mar. 8, 2002**

(51) **LOC (7) Cl.** ..... **13-02**

(52) **U.S. Cl.** ..... **D13/119**

(58) **Field of Search** ..... D13/119; 429/175,  
429/178, 156; 180/68.5

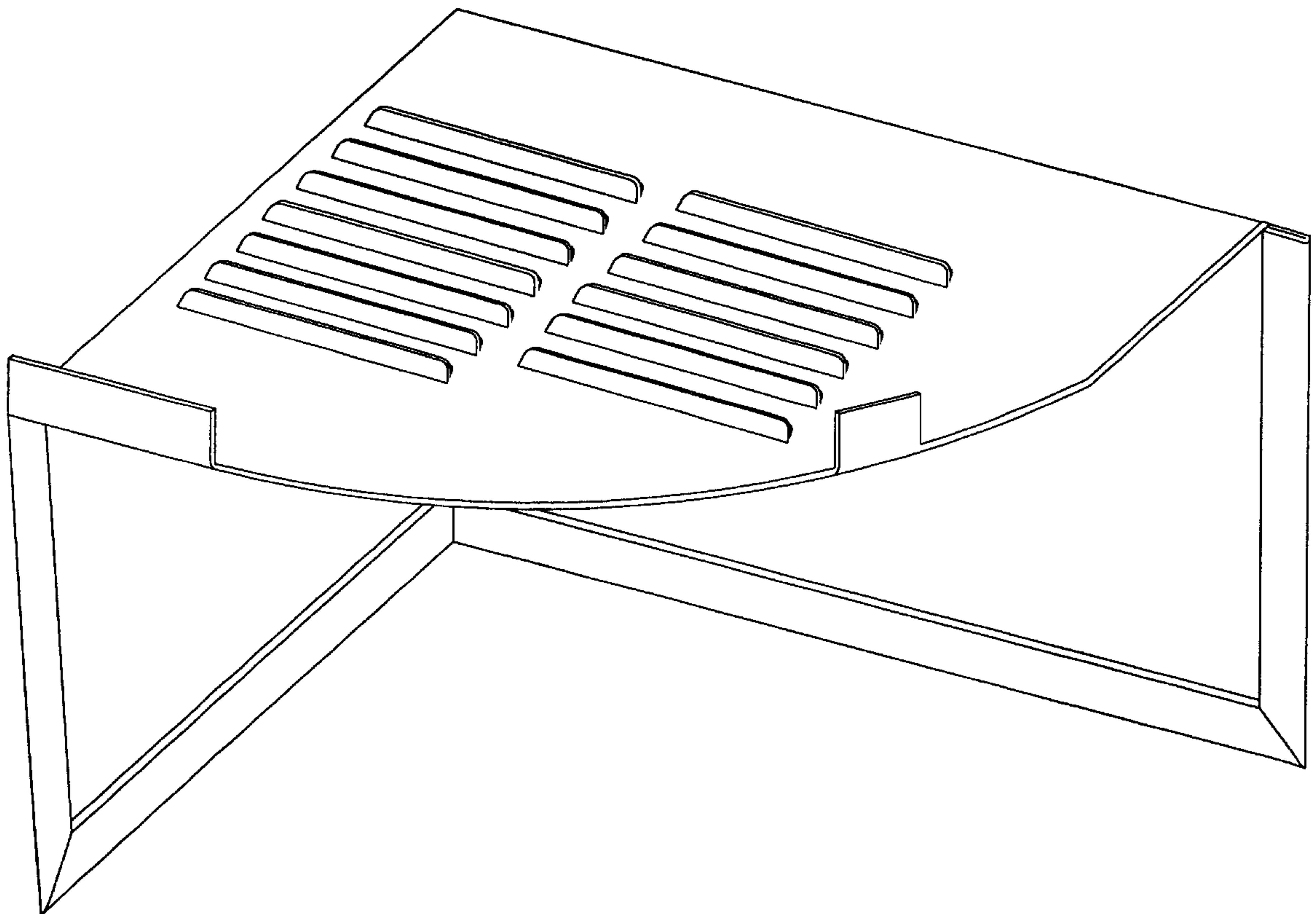
FIG. 1 is an isometric view of the top and front of a battery cover showing our new design;  
FIG. 2 is a top view thereof;  
FIG. 3 is a bottom view thereof;  
FIG. 4 is a front view thereof;  
FIG. 5 is a rear view thereof;  
FIG. 6 is a left view thereof;  
FIG. 7 is a right view thereof;  
FIG. 8 is an isometric view of the top and front of a modified battery cover showing our new design;  
FIG. 9 is a top view of the modified battery cover;  
FIG. 10 is a bottom view of the modified battery cover;  
FIG. 11 is a front view of the modified battery cover;  
FIG. 12 is a rear view of the modified battery cover;  
FIG. 13 is a left view of the modified battery cover; and,  
FIG. 14 is a right view of the modified battery cover.

(56) **References Cited**

**U.S. PATENT DOCUMENTS**

2,326,481	A	*	8/1943	Meyer	.....	180/68.5
4,027,205	A	*	5/1977	Frederick	.....	361/694
4,641,463	A	*	2/1987	Bianco	.....	451/113
4,898,009	A	*	2/1990	Lakoski et al.	.....	70/58
5,744,213	A	*	4/1998	Nelson	.....	428/131
6,010,804	A	*	1/2000	Barksdale	.....	429/178
6,081,423	A	*	6/2000	Griffin	.....	361/688
6,310,772	B1	*	10/2001	Hutchison et al.	.....	361/700
6,326,103	B1	*	12/2001	Ido et al.	.....	429/156

**1 Claim, 14 Drawing Sheets**



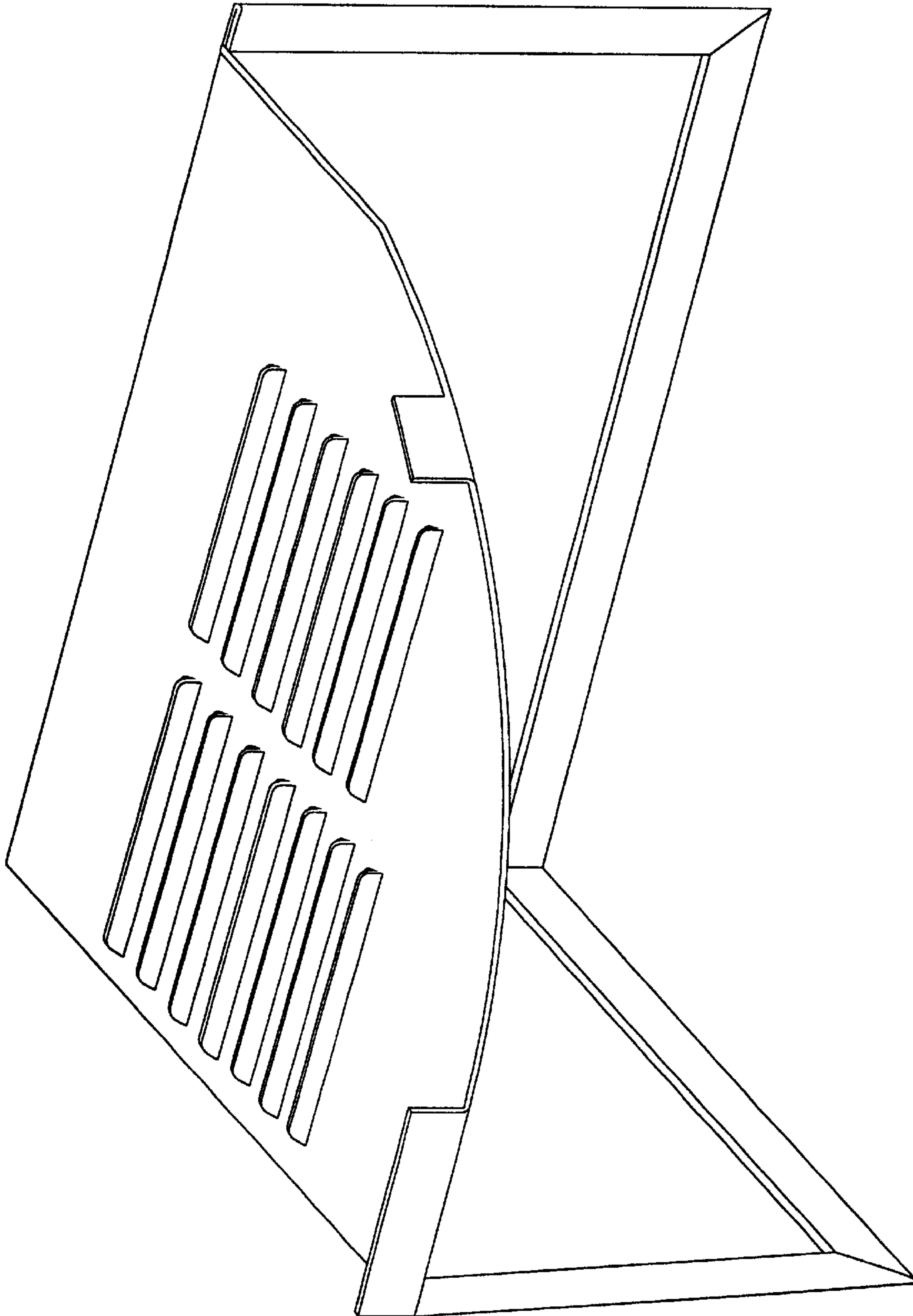


Fig. 1

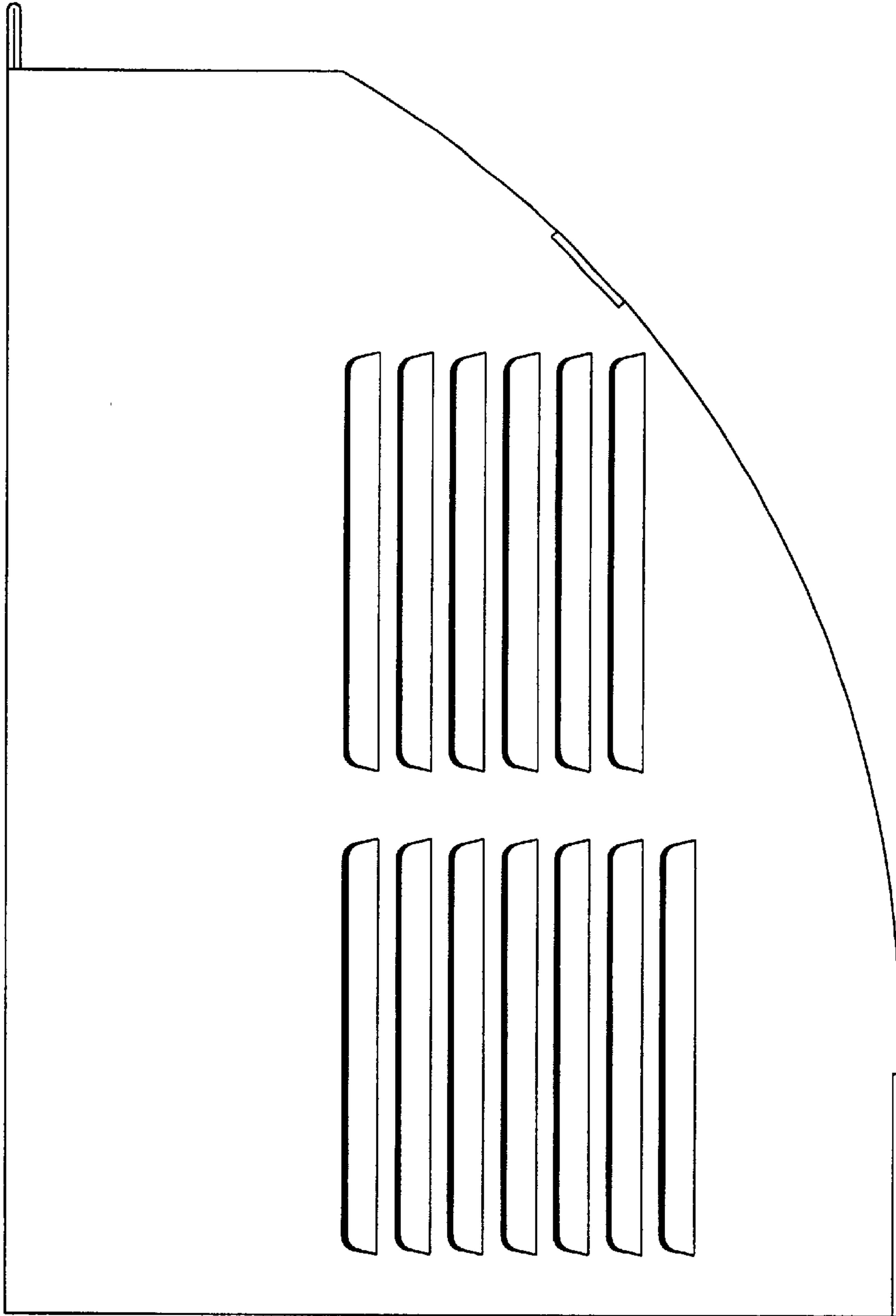


Fig. 2

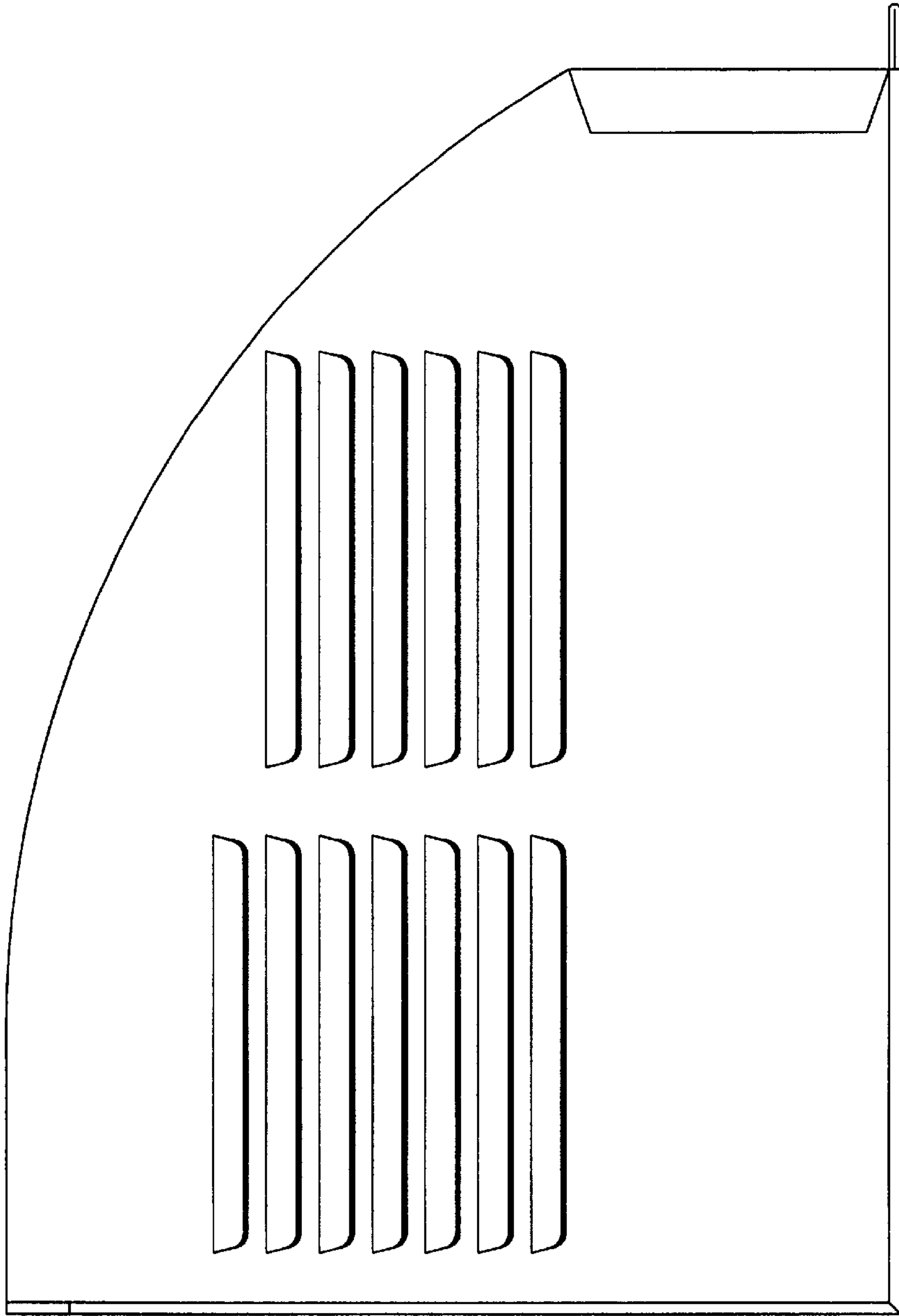


Fig. 3

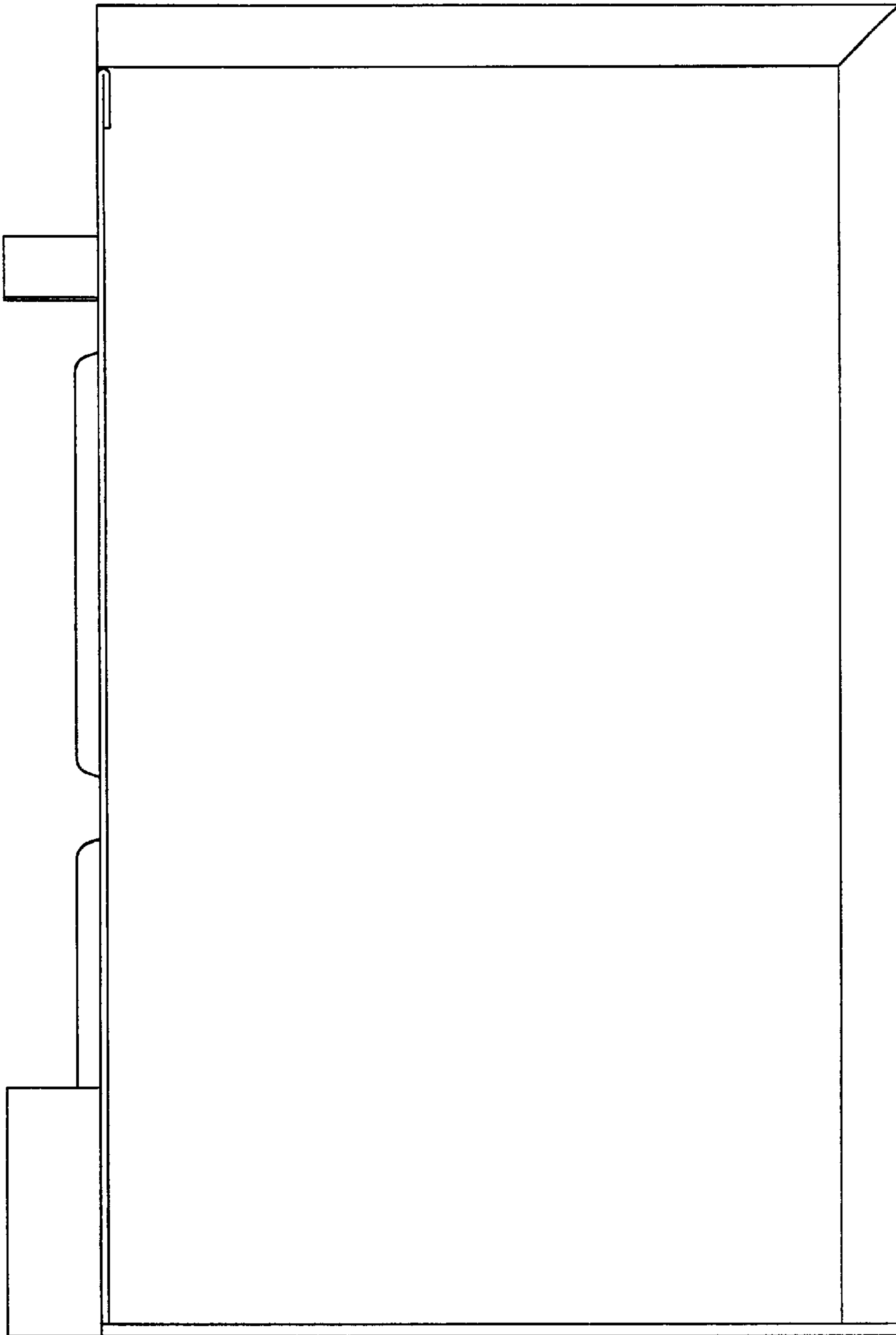


Fig. 4

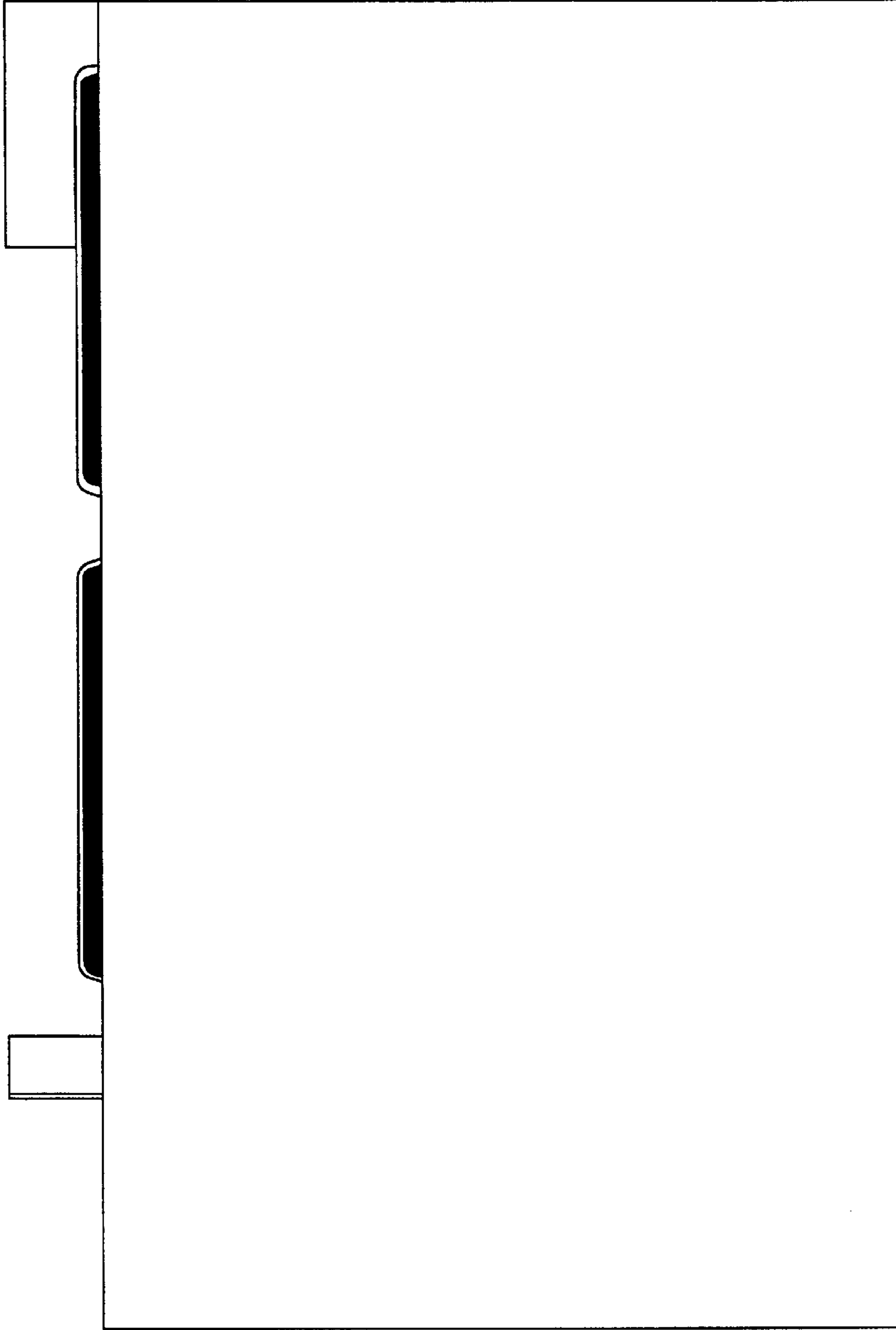


Fig. 5



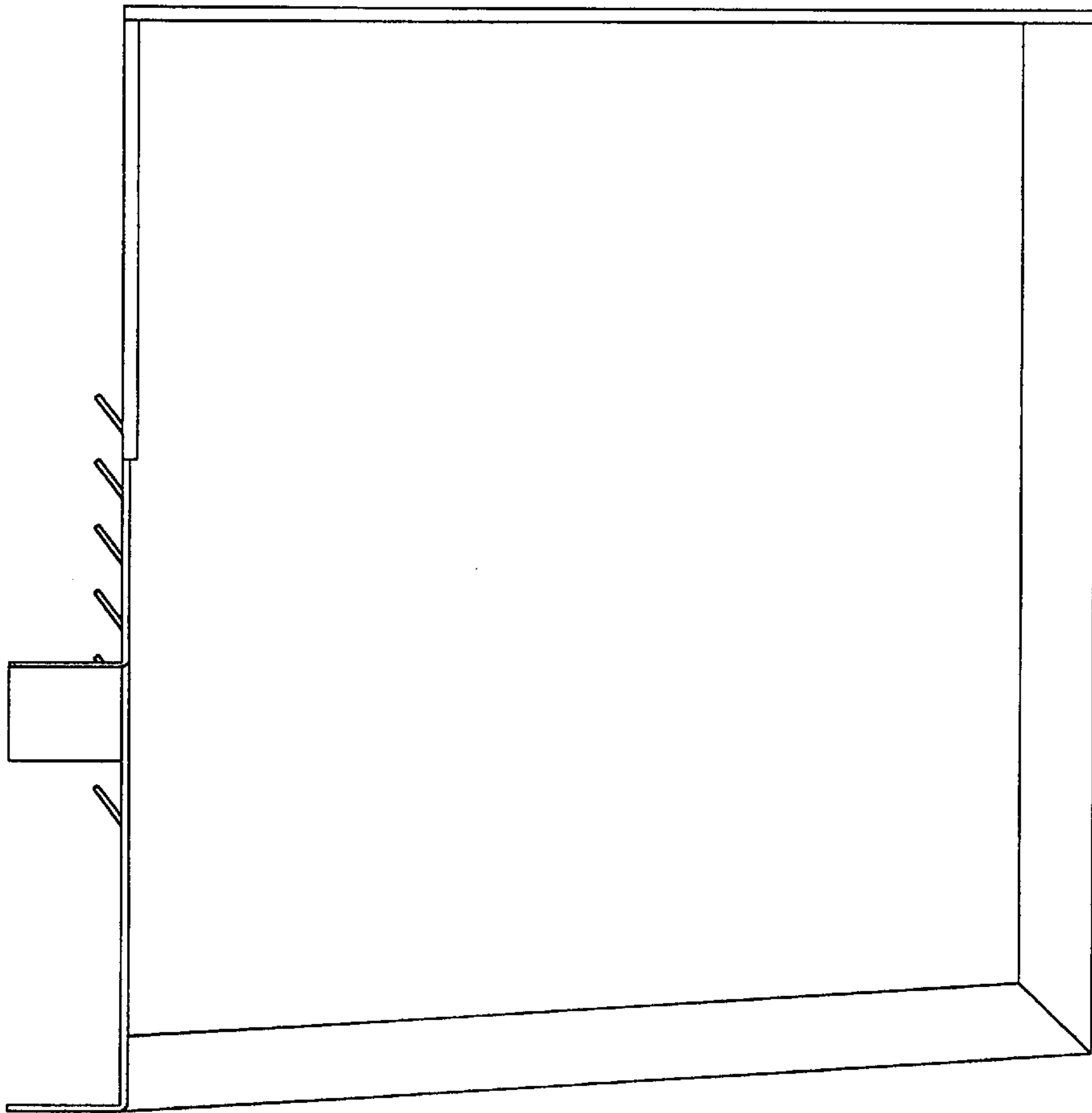


Fig. 7



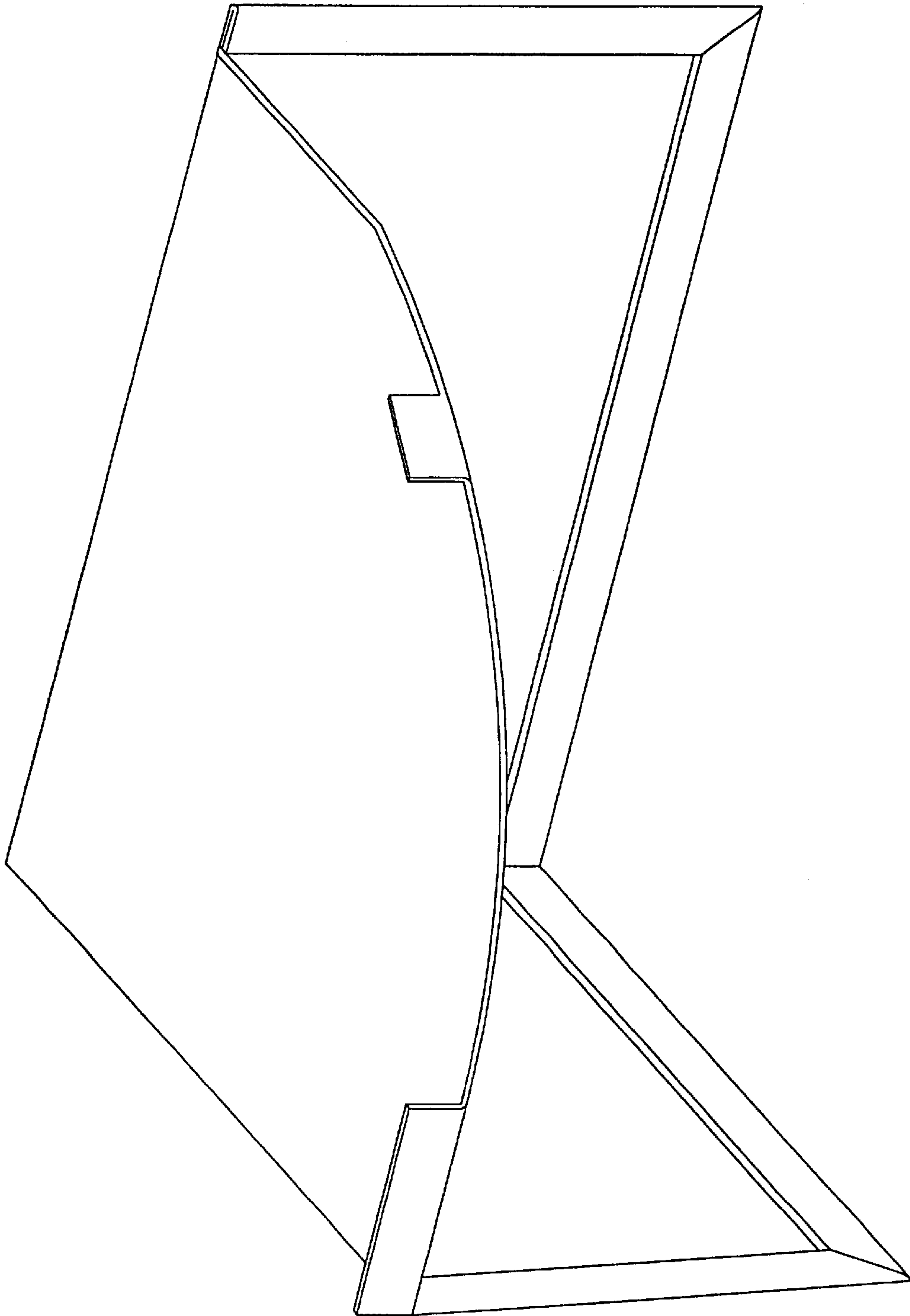


Fig. 8

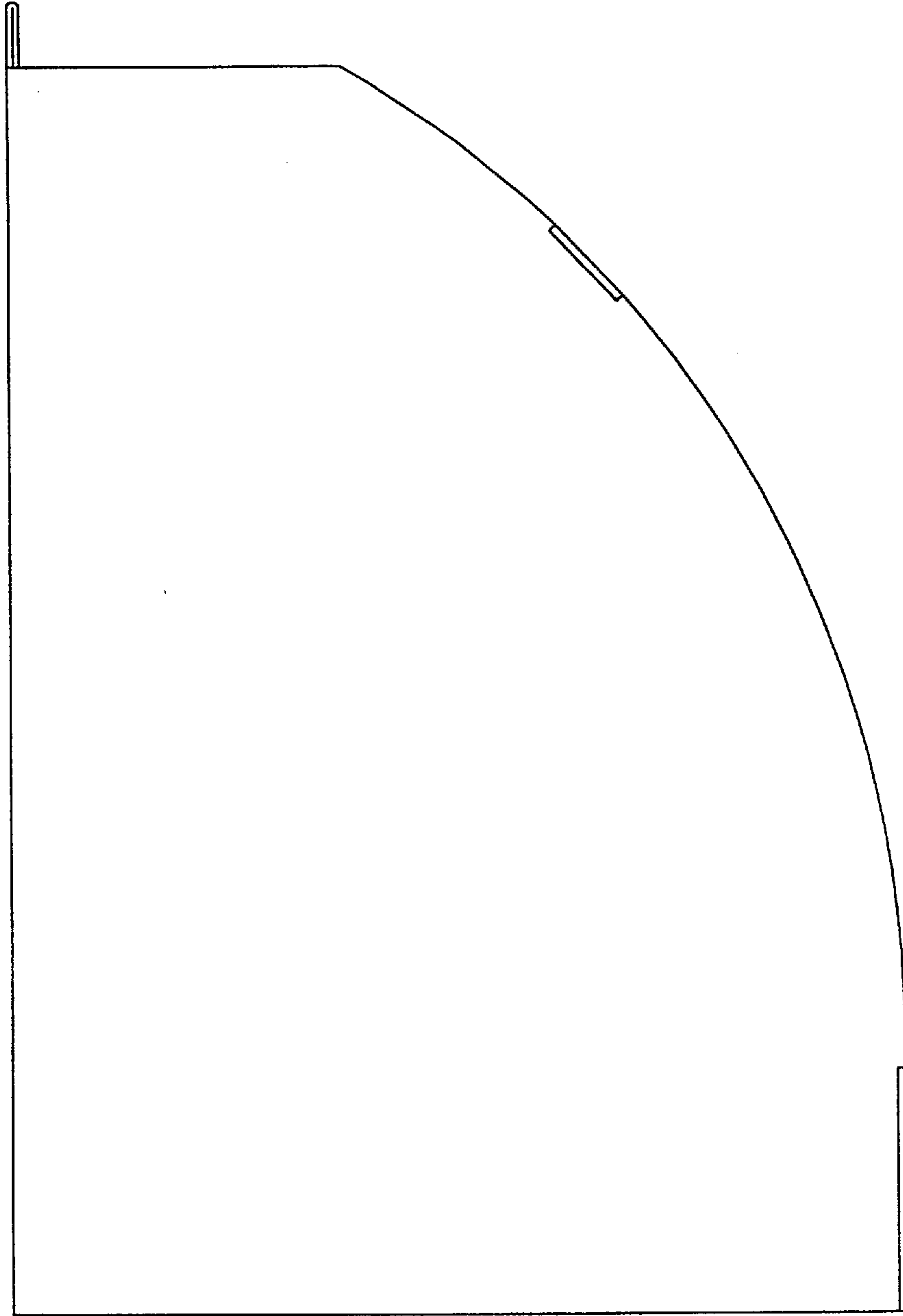


Fig. 9

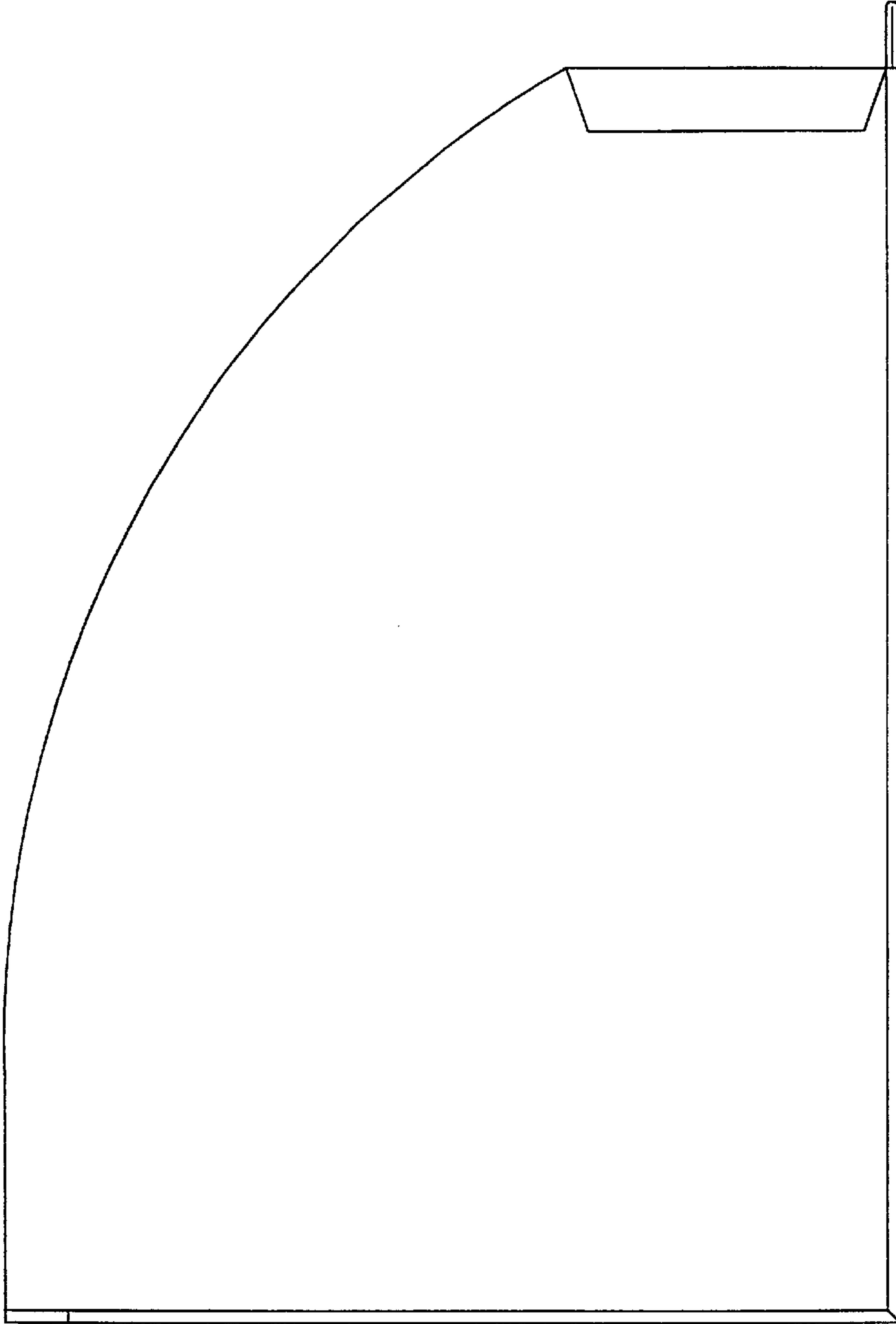


Fig. 10

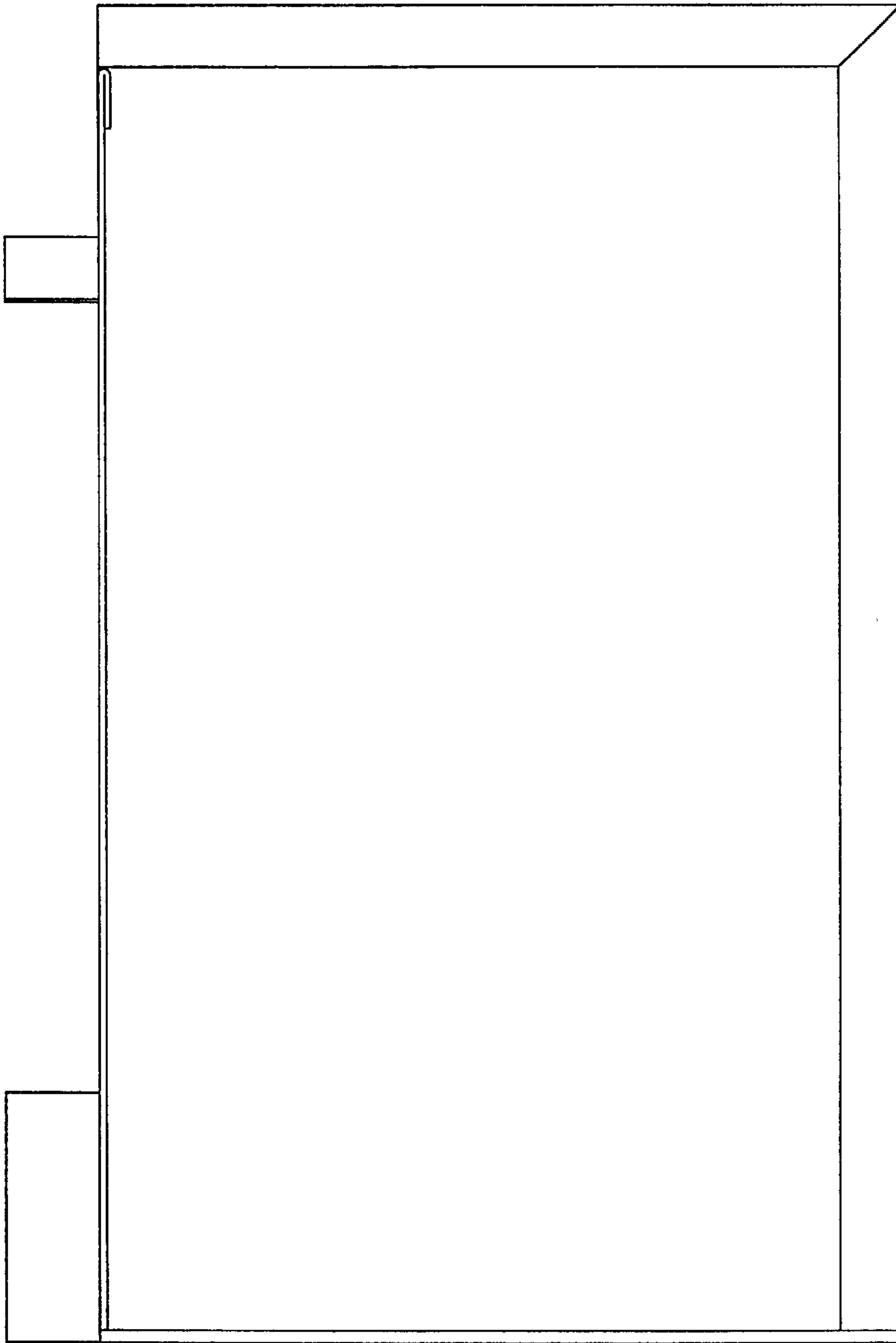


Fig. 11

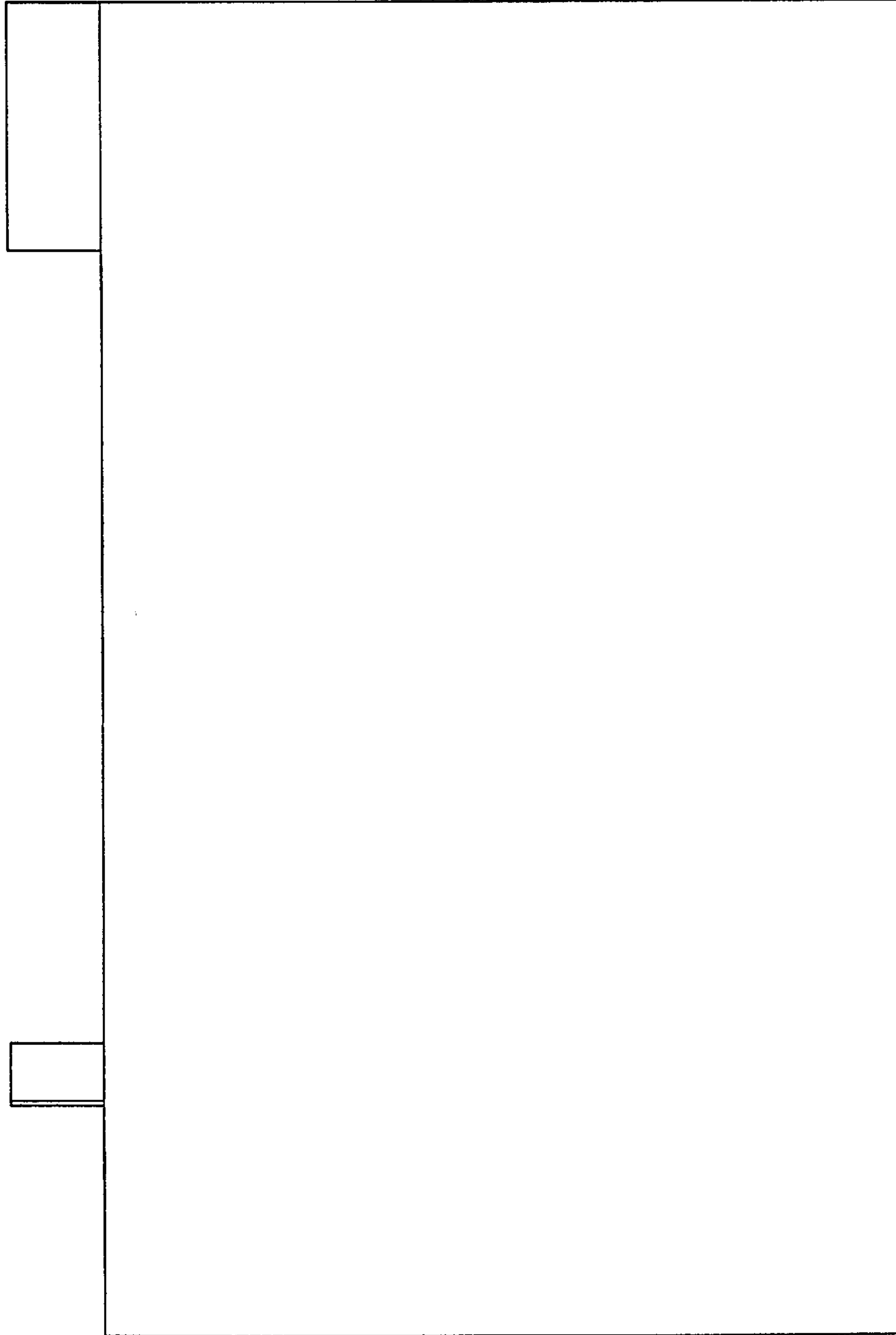


Fig. 12

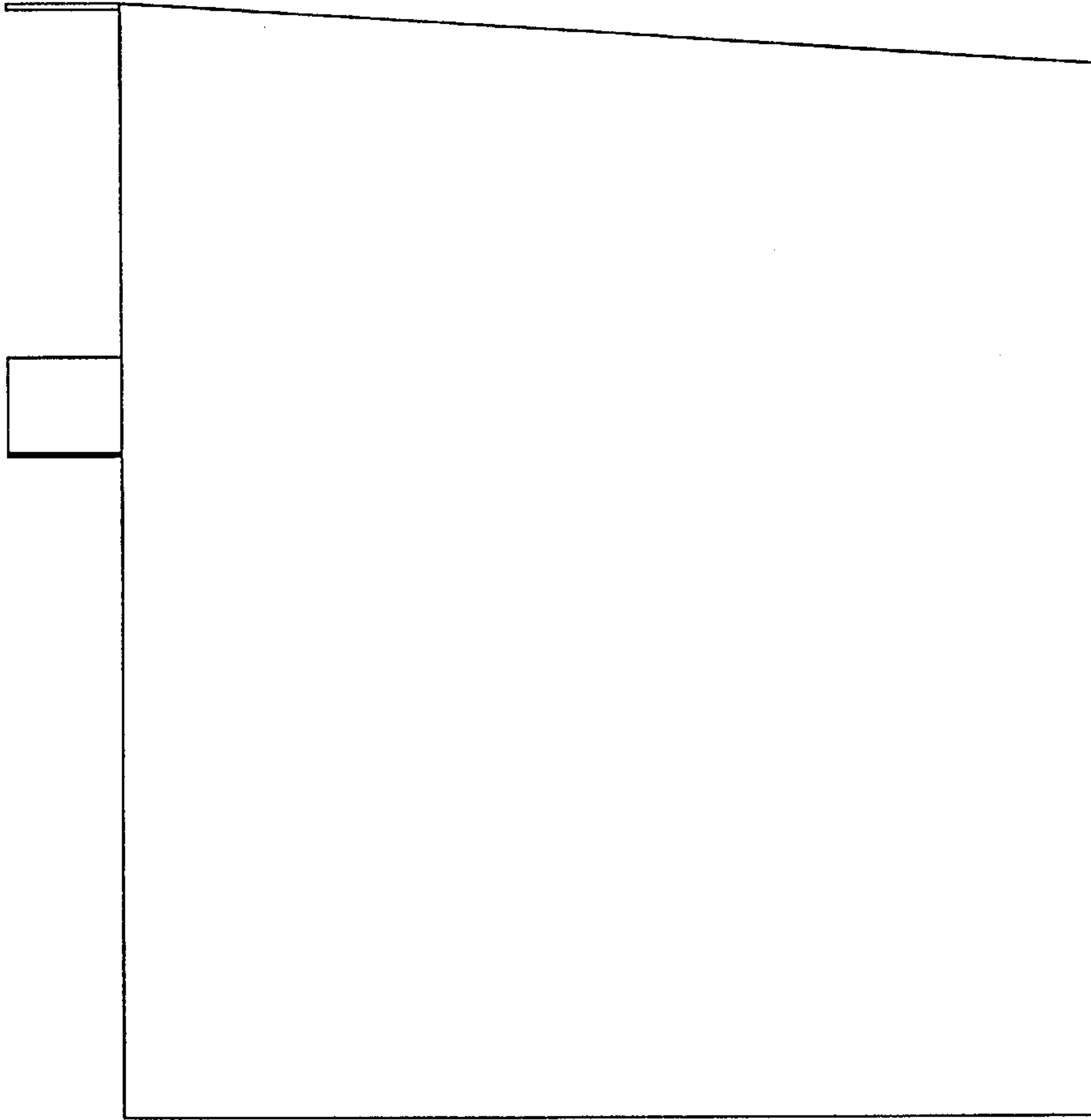


Fig. 13

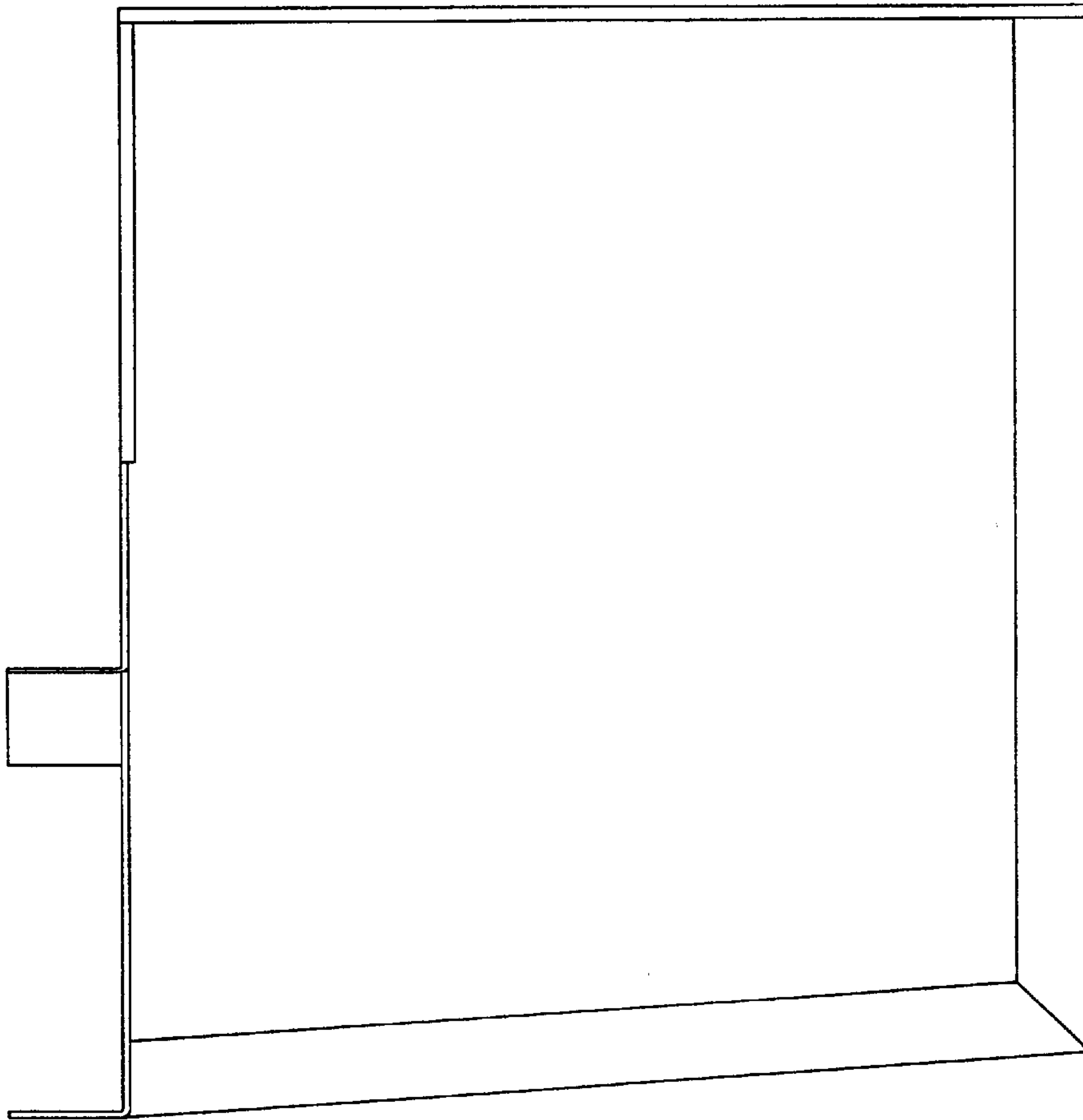


Fig. 14

UNITED STATES PATENT AND TRADEMARK OFFICE  
**CERTIFICATE OF CORRECTION**

PATENT NO. : Des. 470,104 S  
DATED : February 11, 2003  
INVENTOR(S) : Gary W. Owen and Ricky A. Posey

Page 1 of 1

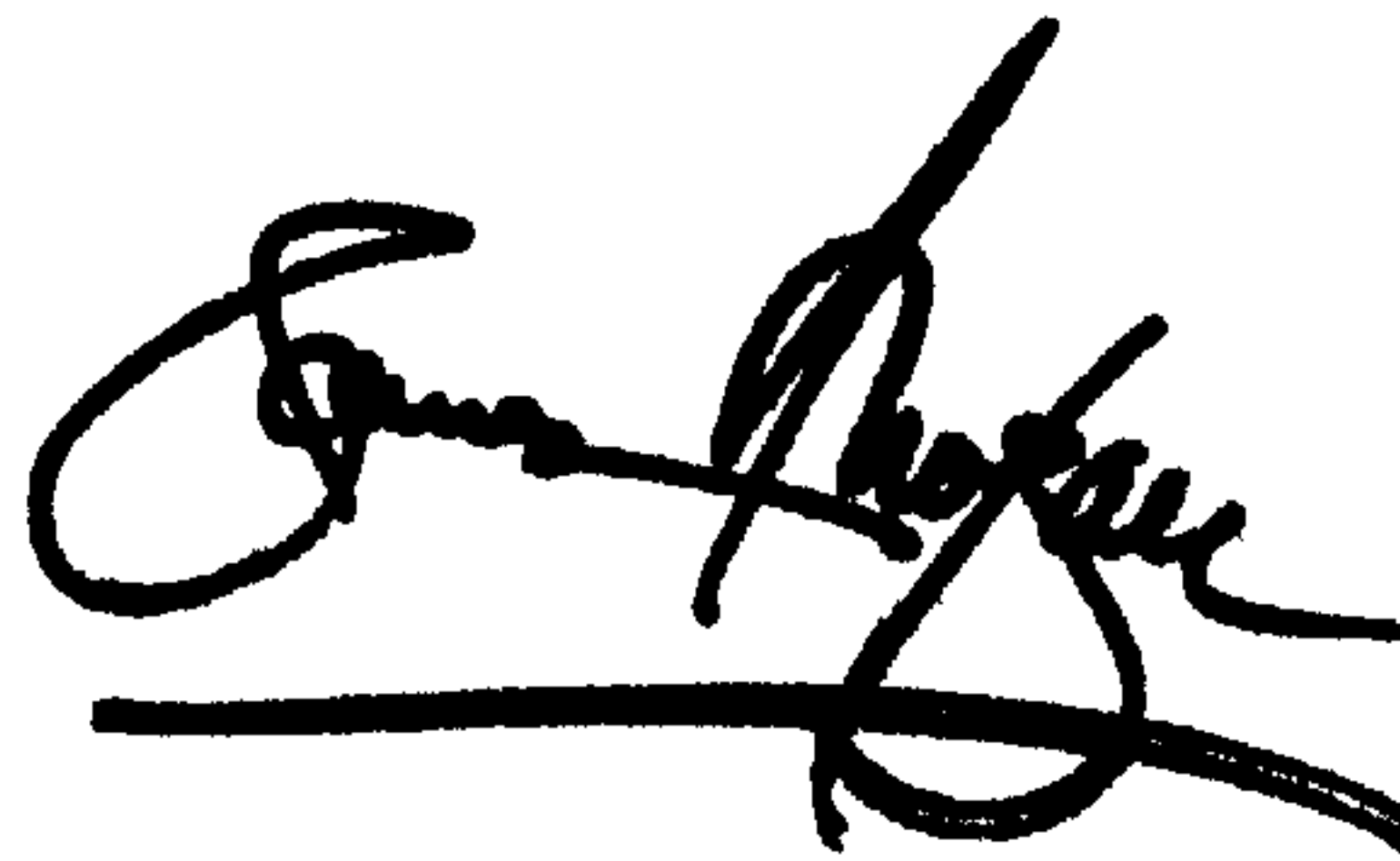
It is certified that error appears in the above-identified patent and that said Letters Patent is hereby corrected as shown below:

Title page,

Item [76], Inventors, in the listing of the Inventors, change the middle initial of the first inventor from "R." to -- **W.**, -- and his street address from "6925 Vahalla" to -- 6925 Valhalla -- such that the first inventor and his address will be listed as -- **Gary W. Owen**, 6925 Valhalla, Fort Worth, TX (US) 76116 --

Signed and Sealed this

Ninth Day of September, 2003

A handwritten signature in black ink, appearing to read "James E. Rogan", written over a horizontal line.

JAMES E. ROGAN  
*Director of the United States Patent and Trademark Office*