



US00D470103S

(12) **United States Design Patent**  
**Nishida**

(10) **Patent No.:** **US D470,103 S**

(45) **Date of Patent:** **\*\* Feb. 11, 2003**

(54) **ENGINE GENERATOR**

**FOREIGN PATENT DOCUMENTS**

(75) Inventor: **Kaoru Nishida, Wako (JP)**  
(73) Assignee: **Honda Giken Kogyo Kabushiki Kaisha, Tokyo (JP)**  
(\*\*) Term: **14 Years**

JP	718466	11/1987
JP	783532	3/1990
JP	808760	3/1991
JP	862158	2/1993
JP	899720	5/1994
JP	862158.1	9/1994
JP	1017137	8/1998

(21) Appl. No.: **29/154,764**

(22) Filed: **Jan. 31, 2002**

(30) **Foreign Application Priority Data**

Jul. 31, 2001 (JP) ..... 2001-022340

(51) **LOC (7) Cl.** ..... **13-02**

(52) **U.S. Cl.** ..... **D13/116**

(58) **Field of Search** ..... D13/114, 116,  
D13/122; 123/2; 290/1 B

(56) **References Cited**

**U.S. PATENT DOCUMENTS**

D277,954 S	3/1985	Mizushima	
4,721,070 A	* 1/1988	Tanaka et al.	123/198 E
D294,015 S	* 2/1988	Gomi	D13/116
D437,581 S	* 2/2001	Aruga et al.	D13/116

\* cited by examiner

*Primary Examiner*—Lisa Lichtenstein

(74) *Attorney, Agent, or Firm*—Arent Fox Kintner Plotkin & Kahn

(57) **CLAIM**

The ornamental design for an engine generator, as shown.

**DESCRIPTION**

FIG. 1 is a front view of an engine generator showing my new design.

FIG. 2 is a rear view thereof.

FIG. 3 is a left side view thereof.

FIG. 4 is a right side view thereof.

FIG. 5 is a top plan view thereof; and,

FIG. 6 is a bottom plan view thereof.

**1 Claim, 3 Drawing Sheets**

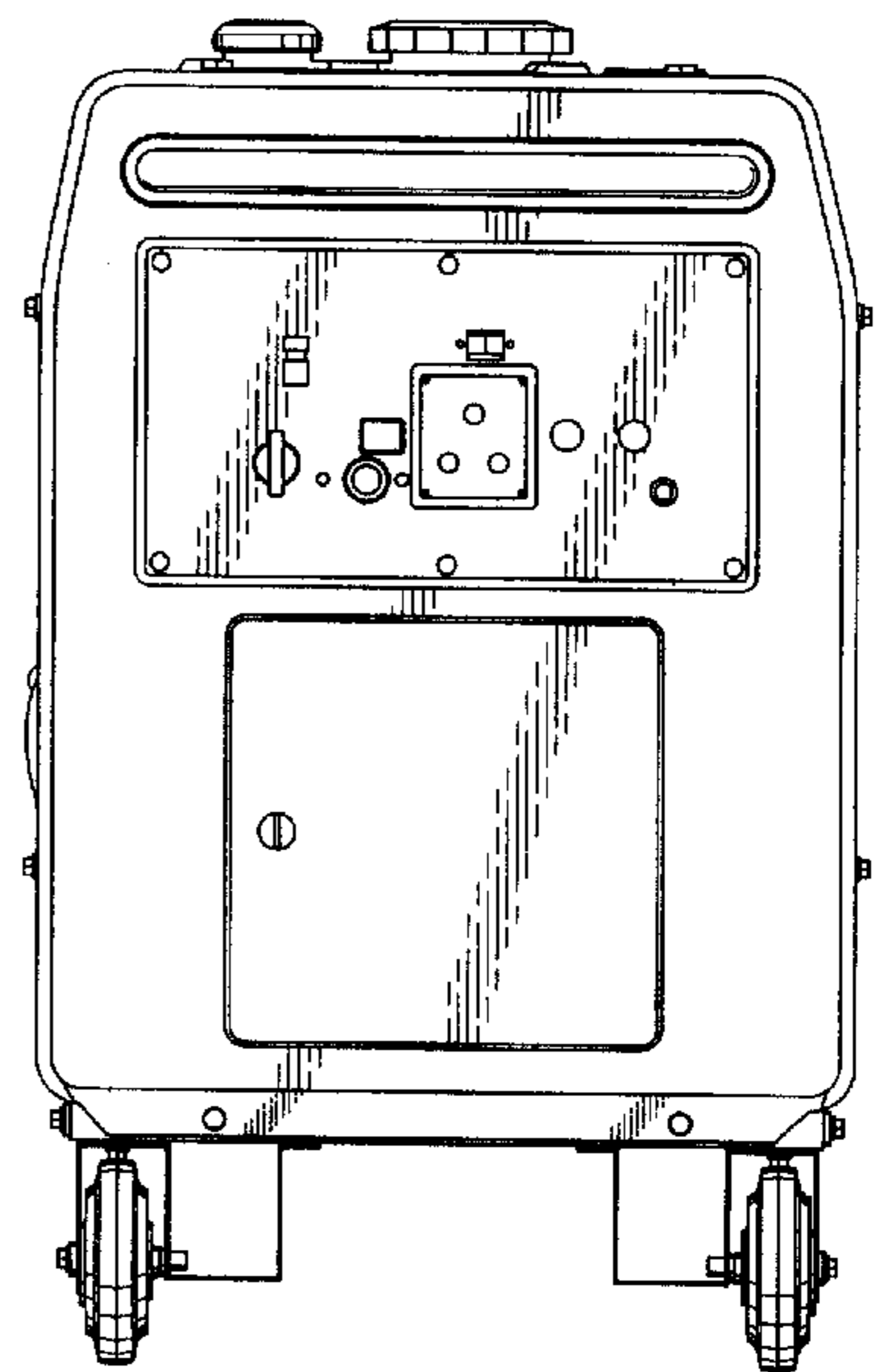
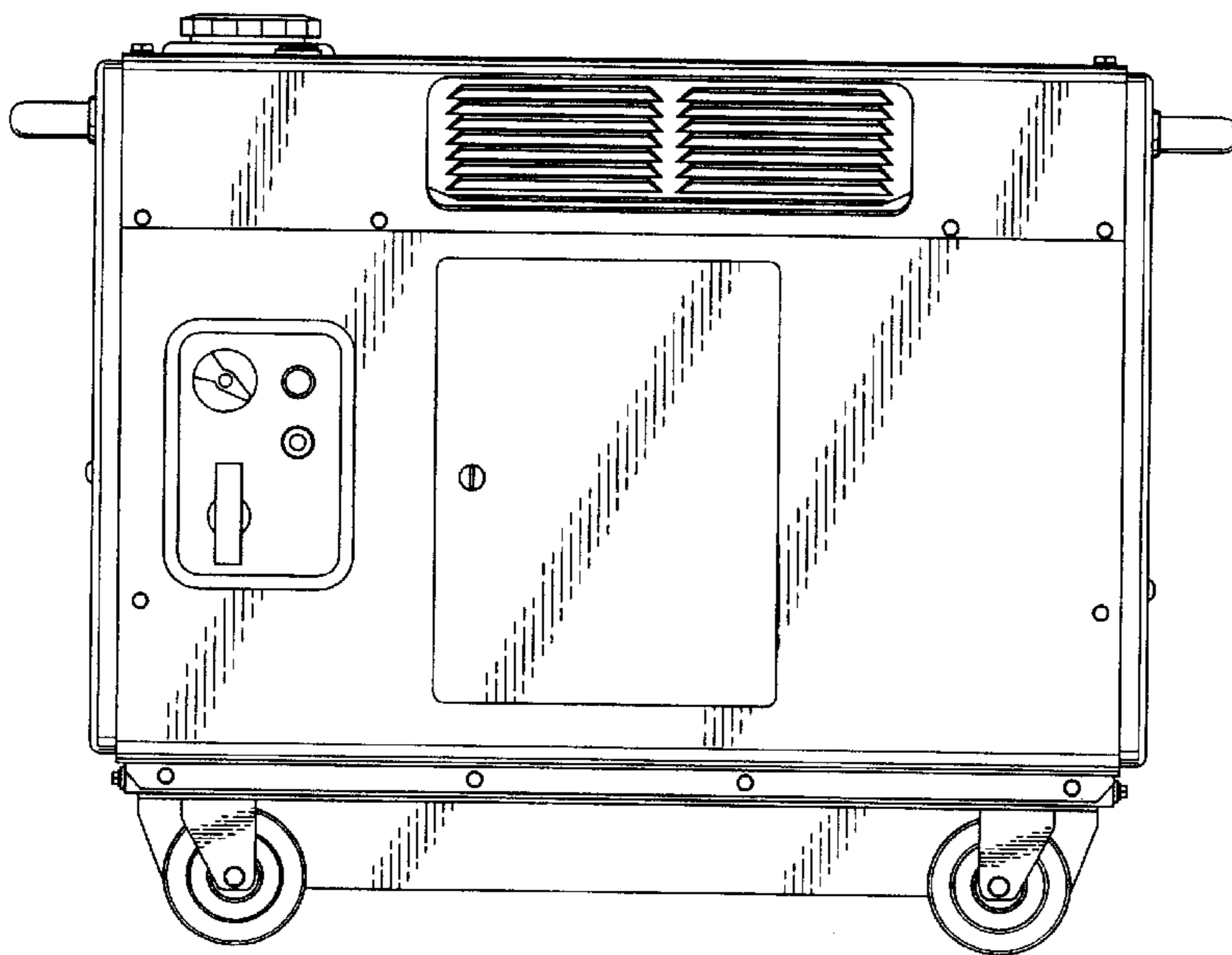


FIG.1

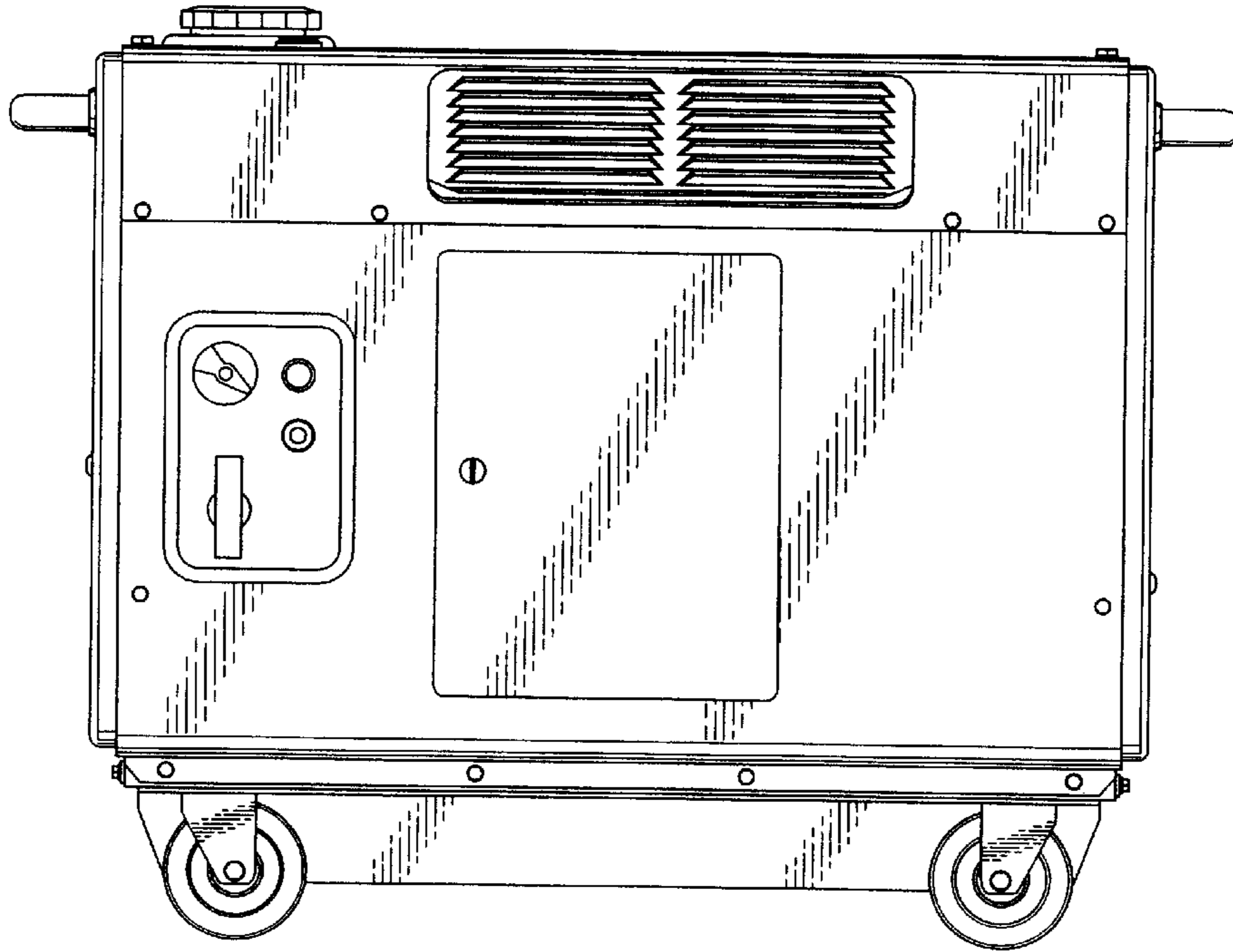


FIG.2

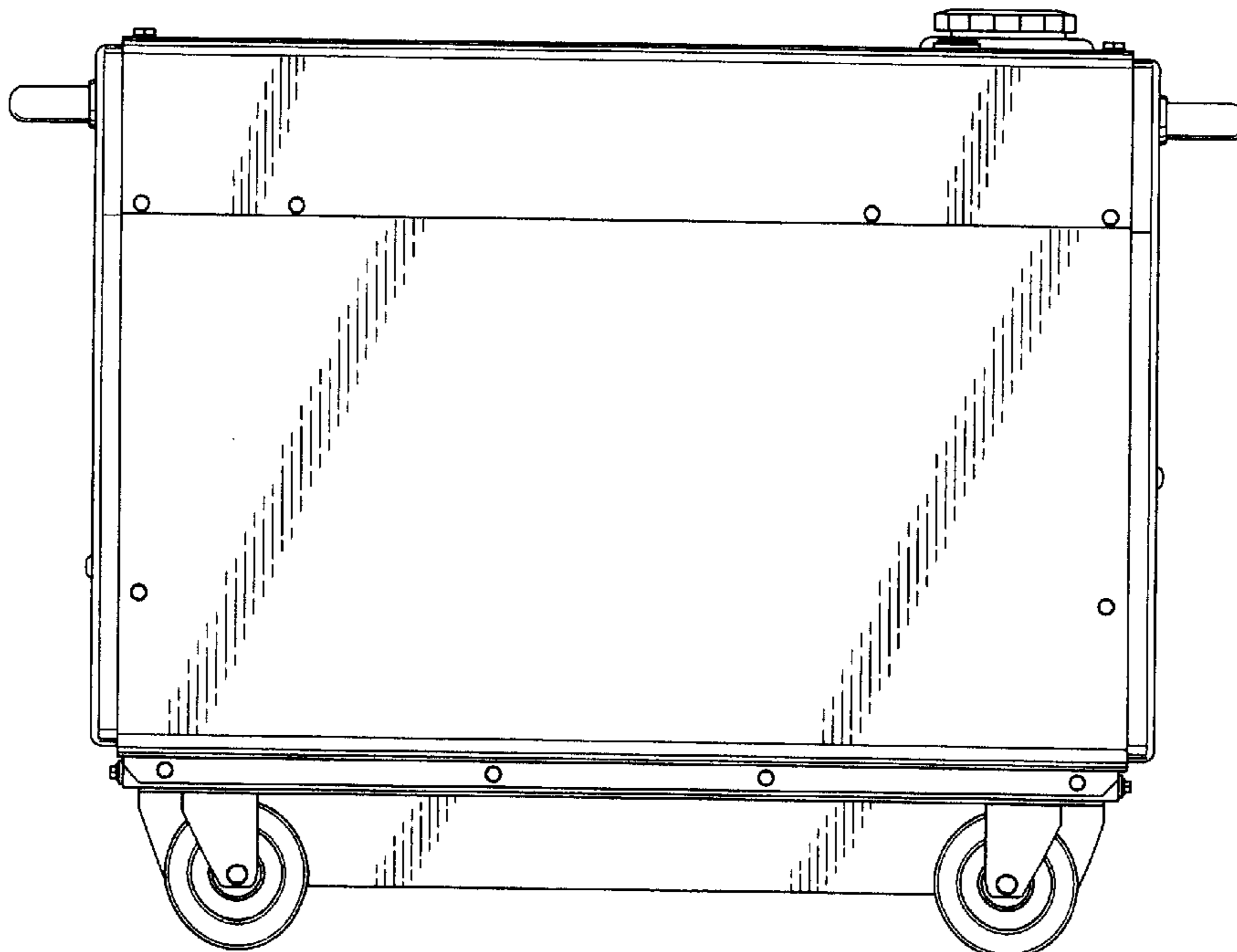


FIG.3

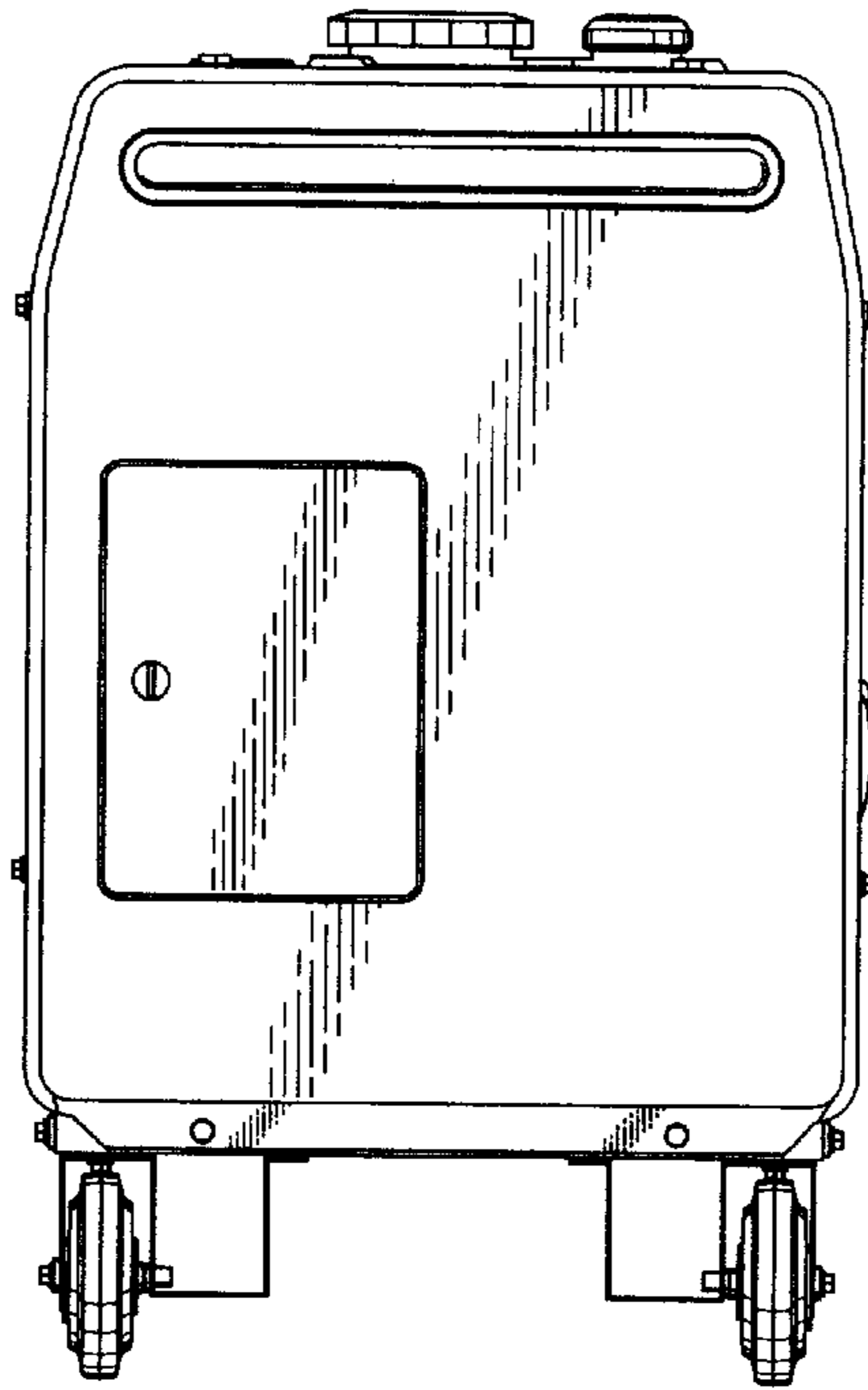


FIG.4

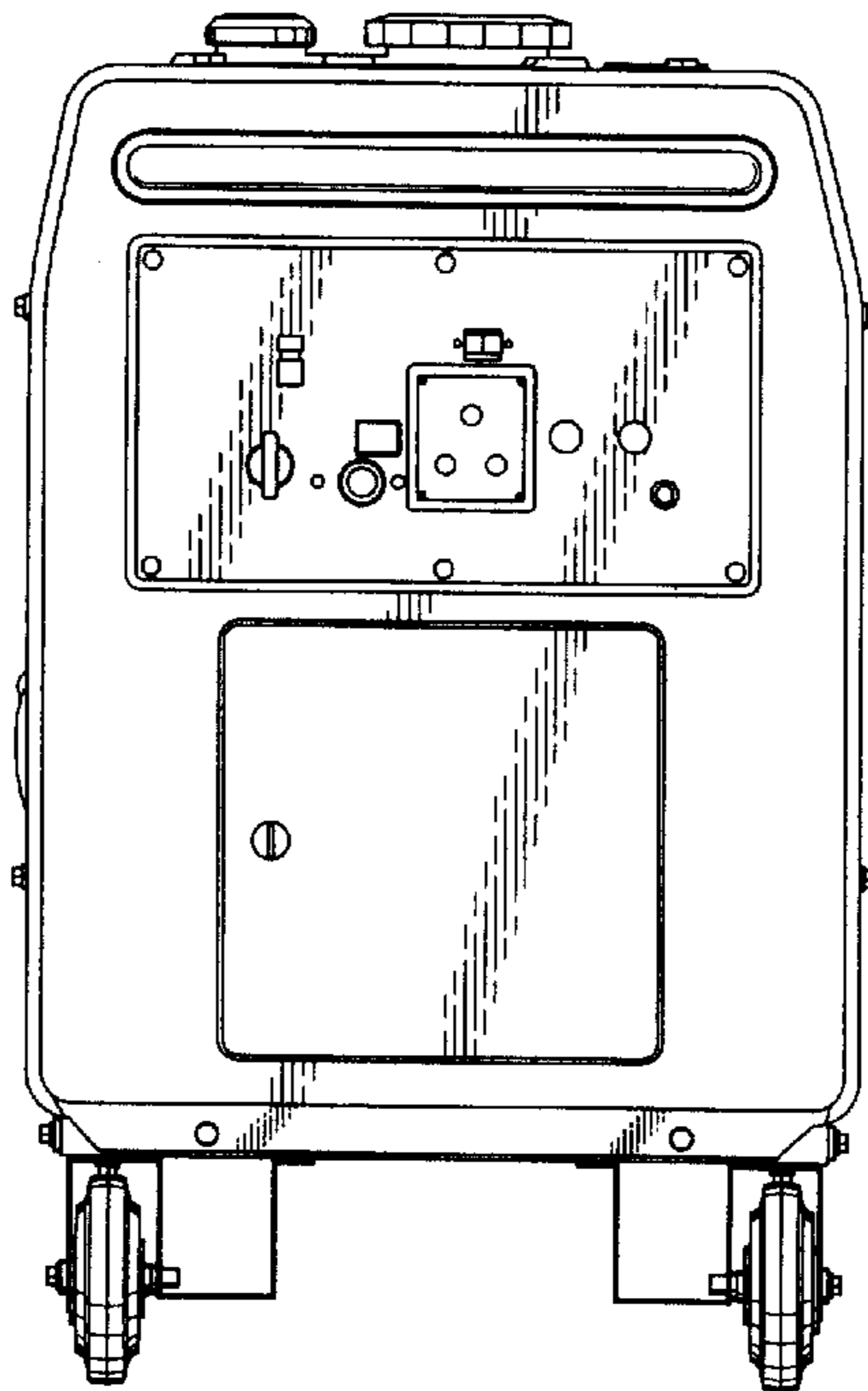


FIG.5

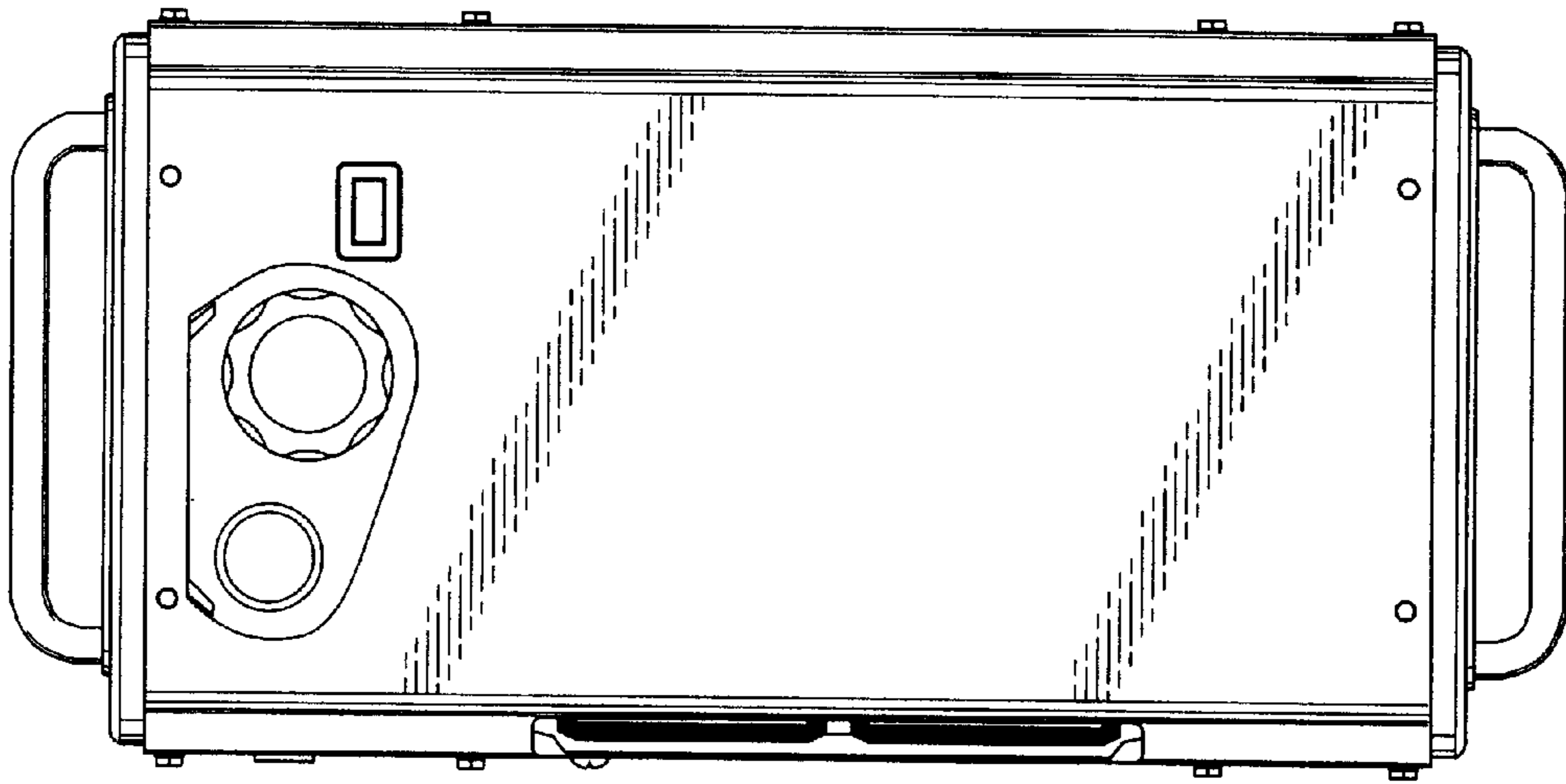


FIG.6

