



US00D470102S

(12) **United States Design Patent** (10) **Patent No.:** **US D470,102 S**  
**Shirouzu** (45) **Date of Patent:** **\*\* Feb. 11, 2003**

(54) **TIRE TREAD**

(75) Inventor: **Toshimichi Shirouzu**, Kobe (JP)

(73) Assignee: **The Goodyear Tire & Rubber Company**, Akron, OH (US)

(\*\*) Term: **14 Years**

(21) Appl. No.: **29/162,933**

(22) Filed: **Jun. 24, 2002**

(30) **Foreign Application Priority Data**

Jan. 23, 2002 (JP) ..... 2002-001399

(51) **LOC (7) Cl.** ..... **12-15**

(52) **U.S. Cl.** ..... **D12/585**

(58) **Field of Search** ..... D12/534, 547,  
D12/548, 549, 550, 569, 582, 583, 584,  
585; 152/209.1, 209.9, 209.25, 209.28

(56) **References Cited**

**U.S. PATENT DOCUMENTS**

- D404,694 S \* 1/1999 Himuro et al. .... D12/585
- D409,954 S \* 5/1999 Murata ..... D12/550
- D423,424 S \* 4/2000 Ikeda ..... D12/585
- D430,830 S \* 9/2000 Guspodin et al. .... D12/585

**OTHER PUBLICATIONS**

Bridgestone Potenza RE910, 2000 Tread Design Guide, Jan. 2000, p. 16. 3/4.\*

Bridgestone BT70s Tire, 2000 Tread Design Guide, Jan. 2000, p. 17. 3/5.\*

Falken ZE-326 Tire, 2000 Tread Design Guide, Jan. 2000, p. 29. 1/1.\*

Hankook Ventus K102, 2000 Tire Tread Design Guide, Jan. 2000, p. 38. 1/2.\*

GT Tire USA Champiro GTX-60 Tire, 2001 Tread Design Guide, Jan. 2001, p. 37. 2/5.\*

\* cited by examiner

*Primary Examiner*—Robert M. Spear

(74) *Attorney, Agent, or Firm*—David L. King

(57) **CLAIM**

The ornamental Design for a tire tread, as shown and described.

**DESCRIPTION**

FIG. 1 is a perspective view of a tire tread showing our new design, it being understood that the pattern repeats uniformly throughout the circumference of the tread;

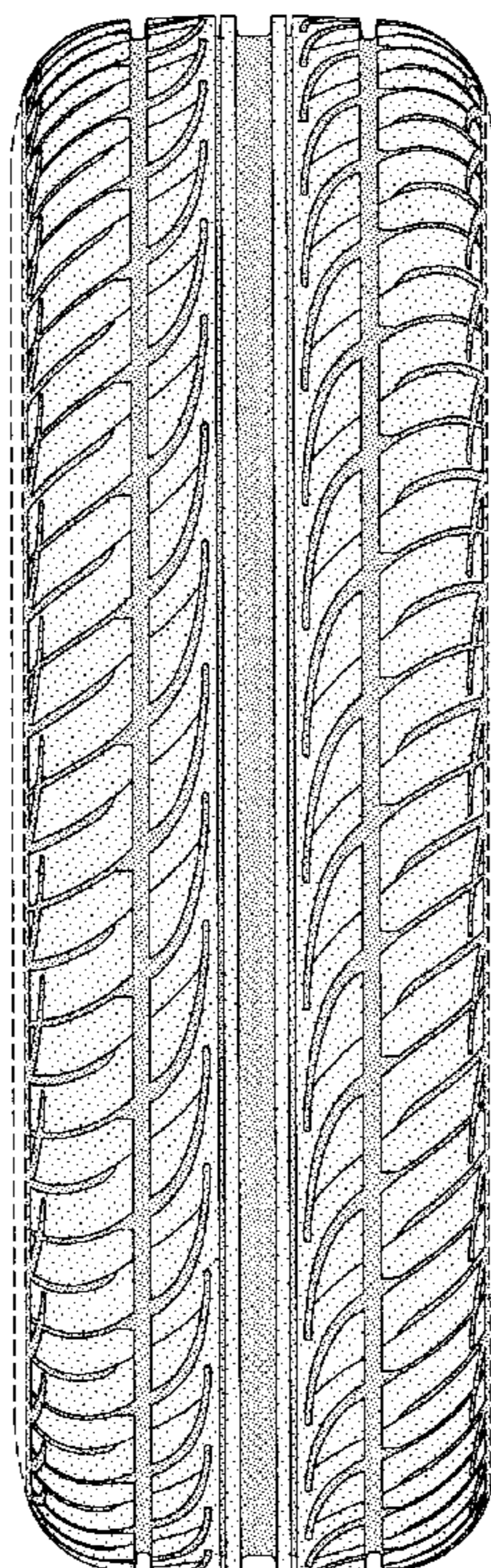
FIG. 2 is a front elevational view thereof;

FIG. 3 is a side elevational view thereof, the opposite side elevational view being identical thereto; and,

FIG. 4 is an enlarged fragmentary perspective view.

In the drawings, the broken lines defining the sidewall and inner bead and the peripheral boundary between the tire tread and the sidewall are for illustrative purposes only and form no part of the claimed design. The dark stippled surface shading represents the recessed portion of the tread grooves, having a depth as best shown in FIG. 2.

**1 Claim, 4 Drawing Sheets**



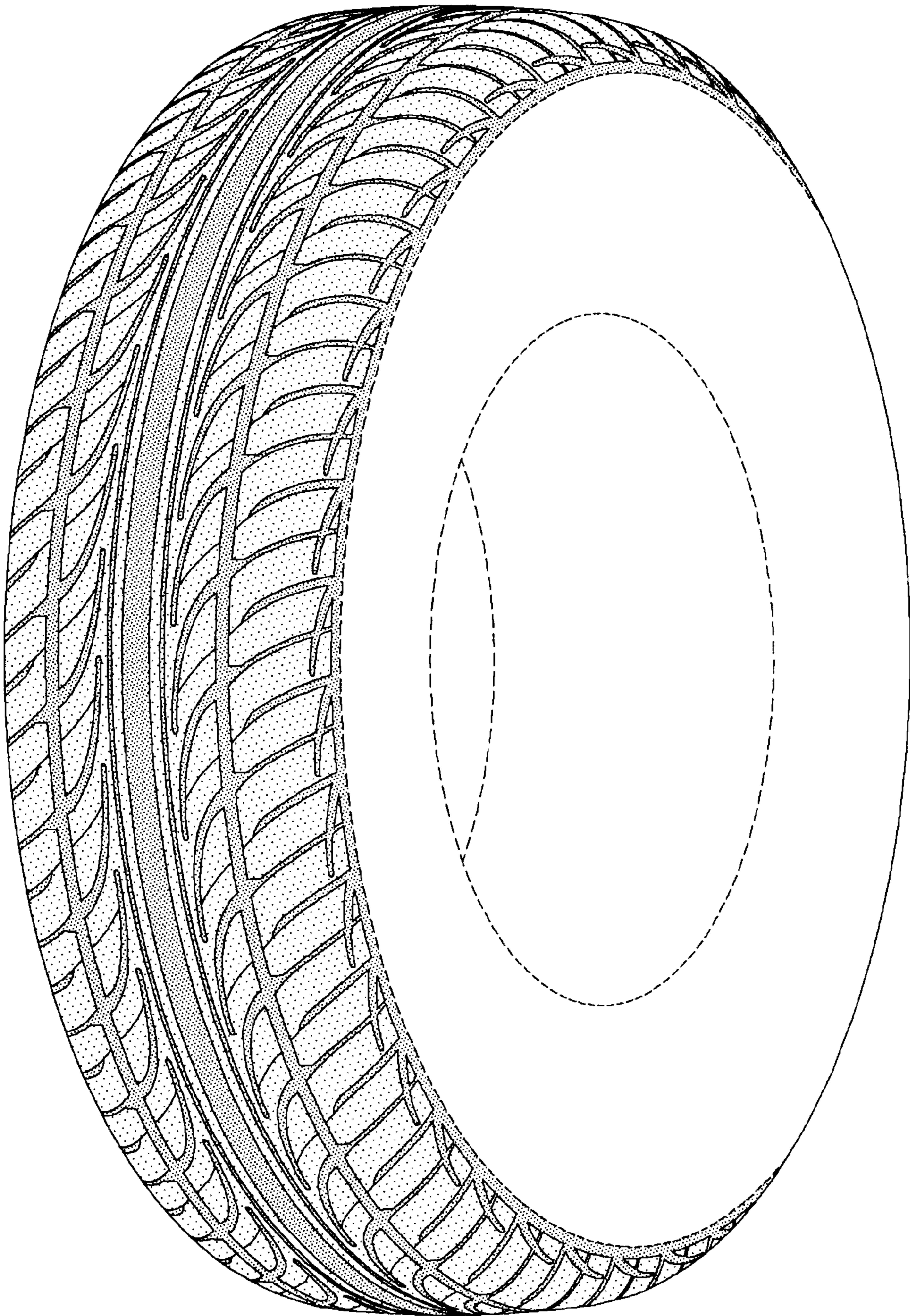


FIG-1

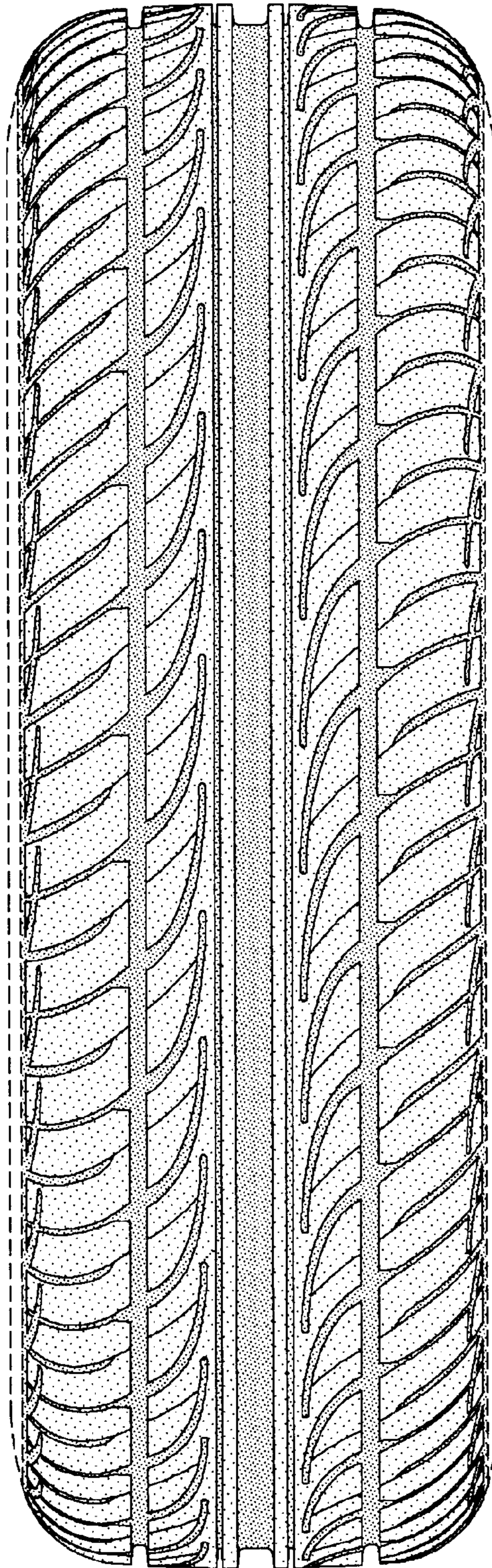


FIG-2

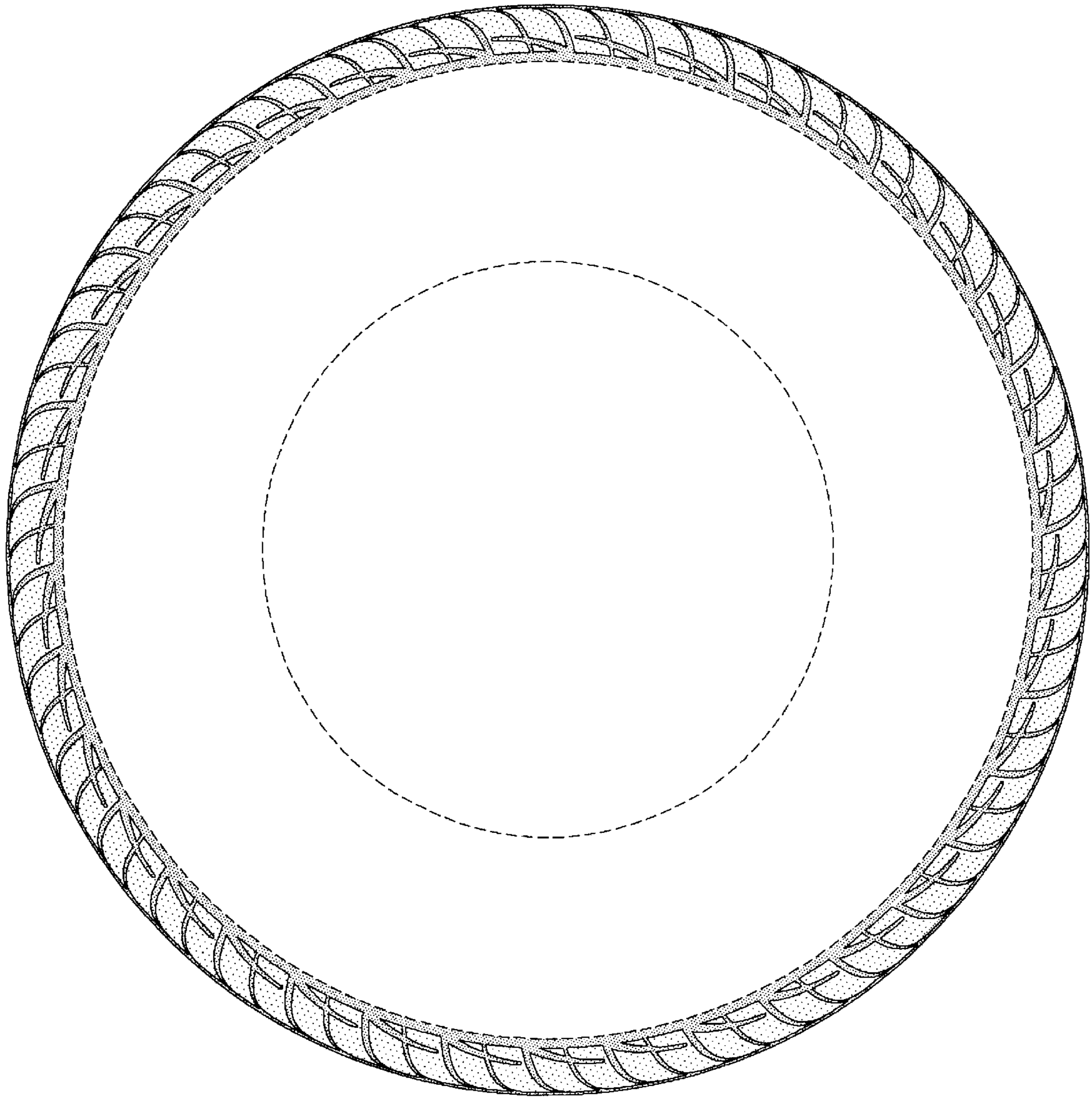


FIG-3

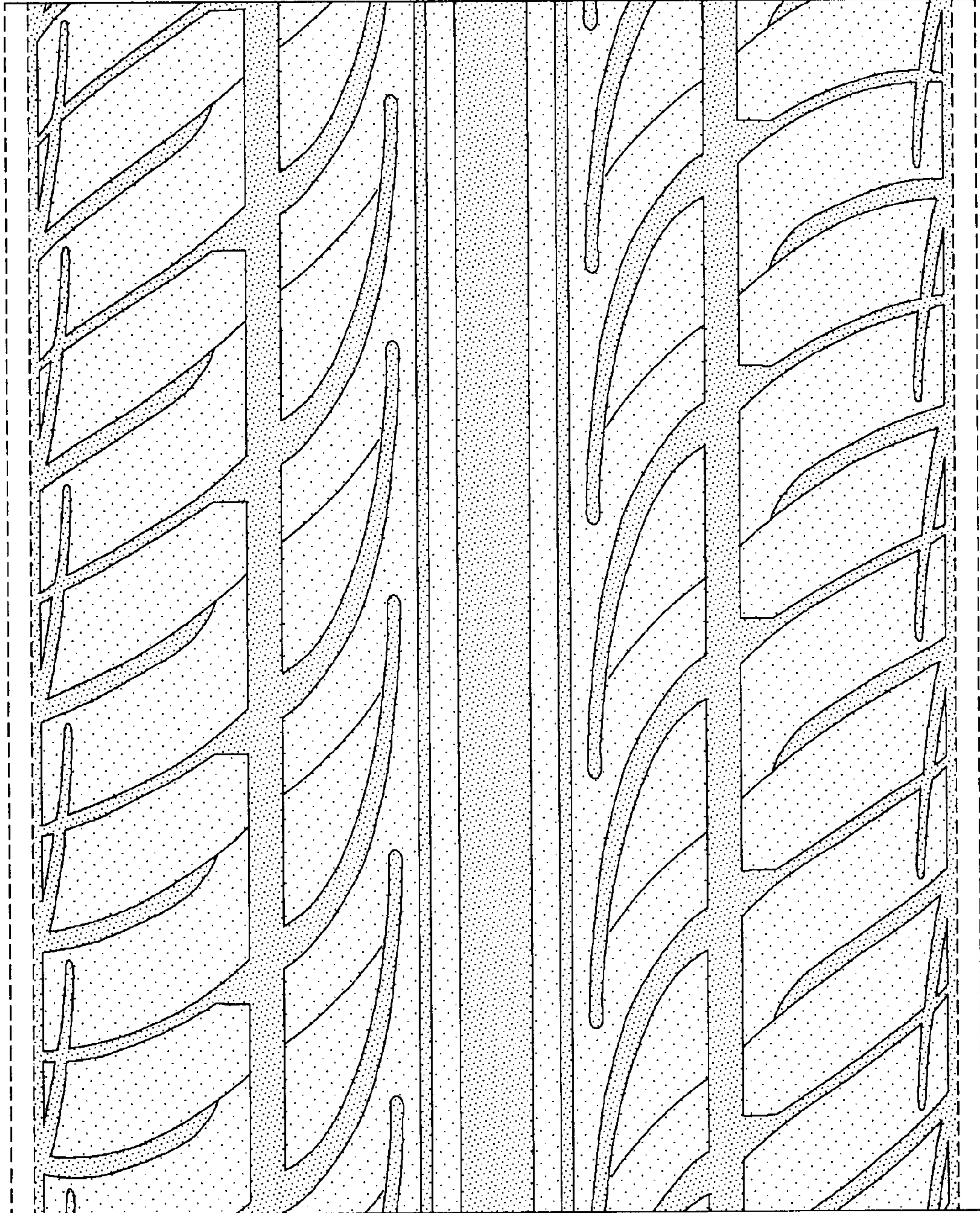


FIG-4