



US00D470097S

(12) **United States Design Patent**
Song

(10) **Patent No.: US D470,097 S**

(45) **Date of Patent: ** Feb. 11, 2003**

(54) **SADDLEBAG FOR A MOTORCYCLE**

(75) Inventor: **Michael M. Song**, Maple Grove, MN (US)

(73) Assignee: **Polaris Industries Inc.**, Medina, MN (US)

(**) Term: **14 Years**

(21) Appl. No.: **29/155,023**

(22) Filed: **Jan. 31, 2002**

(51) **LOC (7) Cl.** **12-16**

(52) **U.S. Cl.** **D12/410**

(58) **Field of Search** D12/110, 407, D12/409, 410; 180/219; 224/412, 413, 421-433; 296/37.1

(56) **References Cited**

U.S. PATENT DOCUMENTS

D209,374 S * 11/1967 Jones et al. D12/410

(List continued on next page.)

OTHER PUBLICATIONS

Custom Chrome 1998 catalog, saddlebags shown on p. 3.92.*

Primary Examiner—Alan P. Douglas

Assistant Examiner—Linda Brooks

(74) *Attorney, Agent, or Firm*—Fredrikson & Byron, P.A.

(57) **CLAIM**

I claim the ornamental design for a saddlebag for a motorcycle, as shown and described.

DESCRIPTION

FIG. 1 is side view of a saddlebag for a motorcycle of the design shown as typically mounted on a motorcycle with the motorcycle shown in dotted lines that form no part of the claimed invention;

FIG. 2 is an enlarged perspective view of the saddlebag for a motorcycle of the design as seen from the rear and a side shown as typically mounted relative to a portion of a motorcycle exhaust pipe with the exhaust pipe shown in dotted lines that form no part of the claimed invention;

FIG. 3 is an enlarged side elevation view thereof of the side shown in FIG. 2;

FIG. 4 is a side elevation view of the side opposite that shown in FIG. 3 with the side of the saddlebag for a motorcycle of the design shown in dotted lines that form no part of the claimed invention;

FIG. 5 is an enlarged front elevation view thereof;

FIG. 6 is an enlarged rear elevation view thereof;

FIG. 7 is an enlarged top plan view thereof;

FIG. 8 is an enlarged bottom plan view thereof;

FIG. 9 is side view of a modified embodiment of the saddlebag for a motorcycle of the design shown as typically mounted on a motorcycle with the motorcycle shown in dotted lines that form no part of the claimed invention;

FIG. 10 is an enlarged perspective view of the saddlebag for a motorcycle of the design as seen from the rear and a side shown as typically mounted relative to a portion of a motorcycle exhaust pipe with the exhaust pipe shown in dotted lines that form no part of the claimed invention;

FIG. 11 is an enlarged side elevation view thereof of the side shown in FIG. 10;

FIG. 12 is a side elevation view of the side opposite that shown in FIG. 11 with the side of the saddlebag for a motorcycle of the design shown in dotted lines that form no part of the claimed invention;

FIG. 13 is an enlarged front elevation view thereof;

FIG. 14 is an enlarged rear elevation view thereof;

FIG. 15 is an enlarged top plan view thereof;

FIG. 16 is an enlarged bottom plan view thereof;

FIG. 17 is side view of a second modified embodiment of the saddlebag for a motorcycle of the design shown as typically mounted on a motorcycle with the motorcycle shown in dotted lines that form no part of the claimed invention;

FIG. 18 is an enlarged perspective view of the saddlebag for a motorcycle of the design as seen from the rear and a side; FIG. 19 is an enlarged side elevation view thereof of the side shown in FIG. 18;

FIG. 20 is a side elevation view of the side opposite that shown in FIG. 19 with this side of the saddlebag for a motorcycle of the design shown in dotted lines that form no part of the claimed invention;

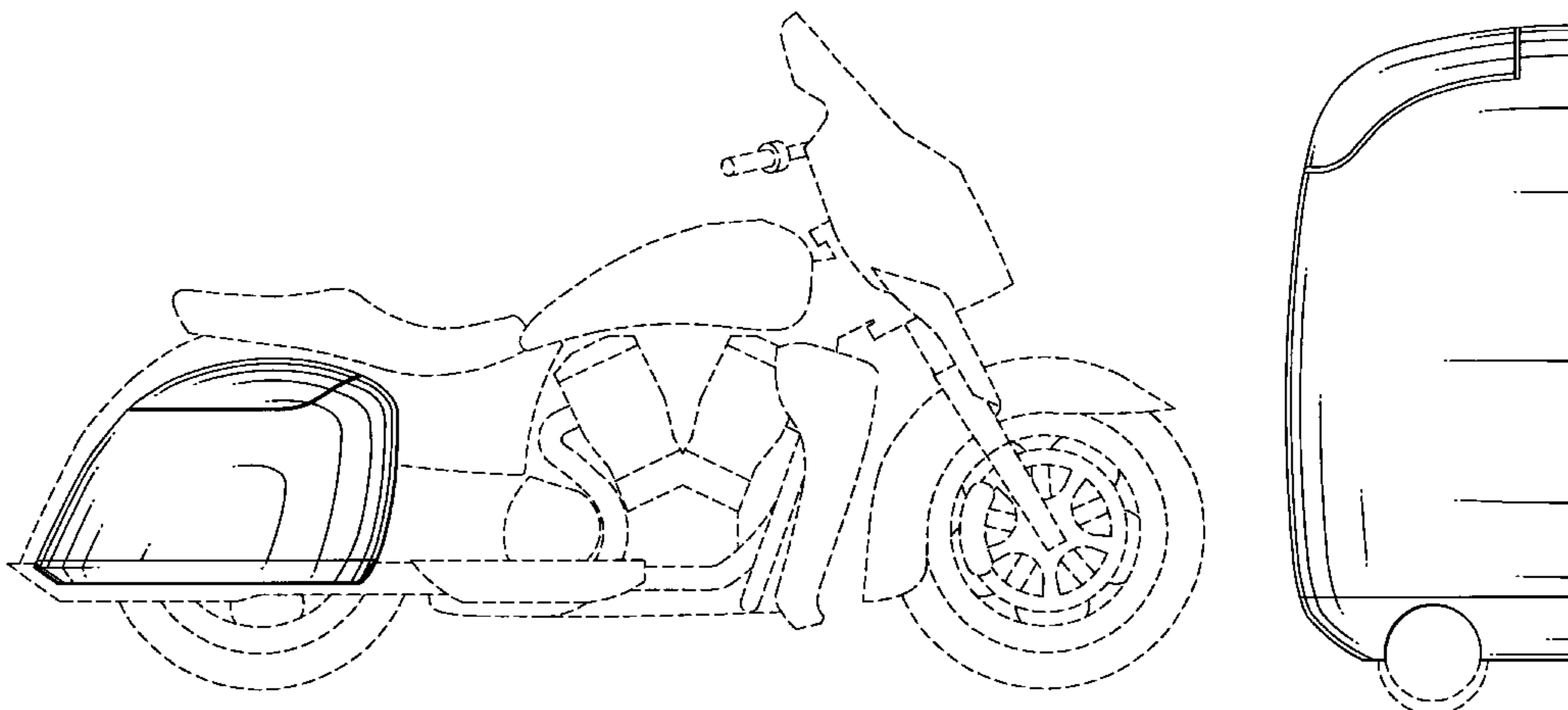
FIG. 21 is an enlarged front elevation view thereof;

FIG. 22 is an enlarged rear elevation view thereof;

FIG. 23 is an enlarged top plan view thereof; and,

FIG. 24 is an enlarged bottom plan view thereof.

1 Claim, 21 Drawing Sheets



US D470,097 S

Page 2

U.S. PATENT DOCUMENTS

D236,821 S	*	9/1975	Larsen et al.	D12/410	D275,190 S	*	8/1984	Gevert	D12/410
D237,484 S	*	11/1975	Larsen et al.	D12/410	D282,061 S	*	1/1986	Abe	D12/410
D262,103 S	*	12/1981	Beaubien et al.	D12/410					

* cited by examiner

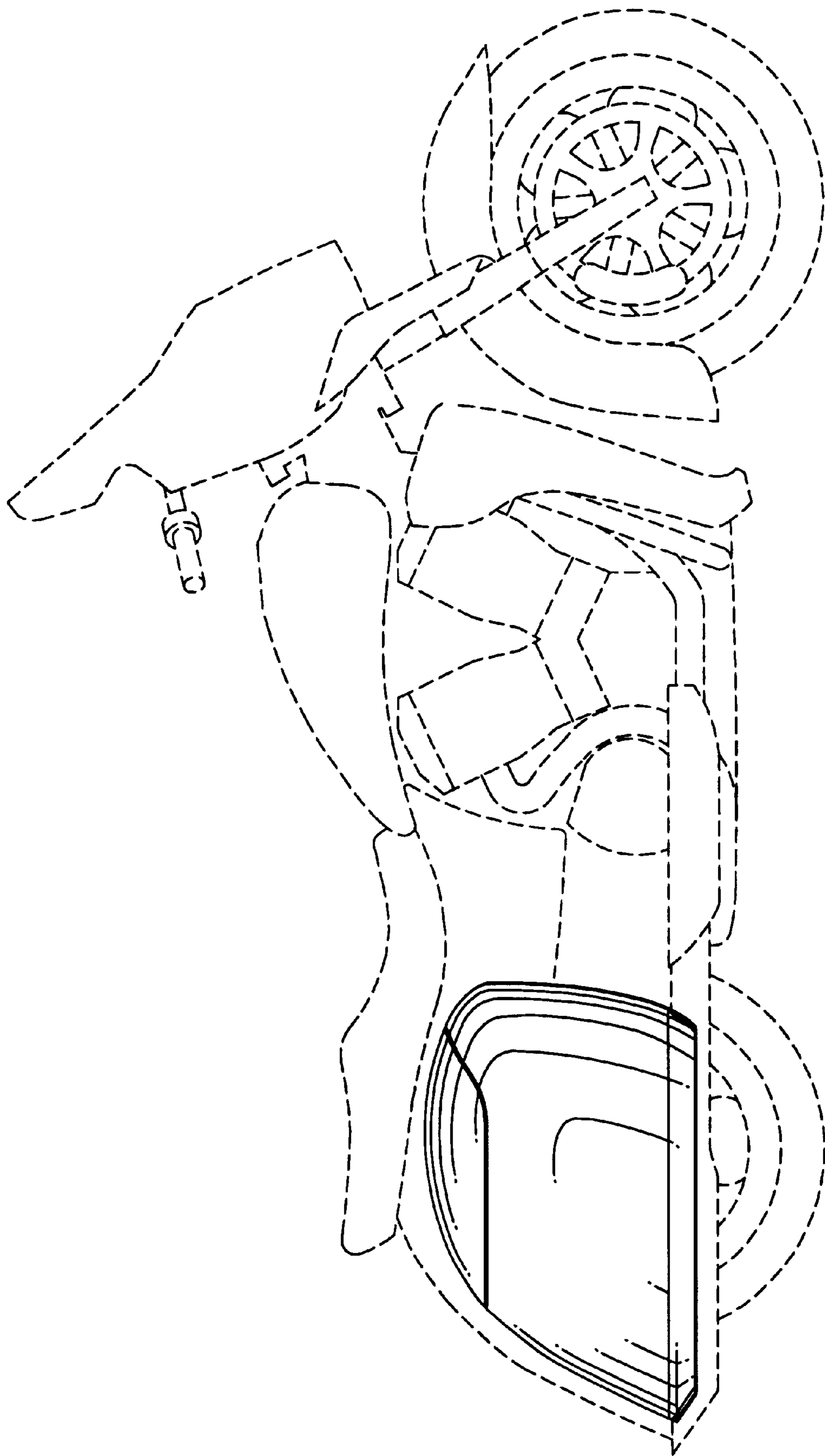


FIG. 1

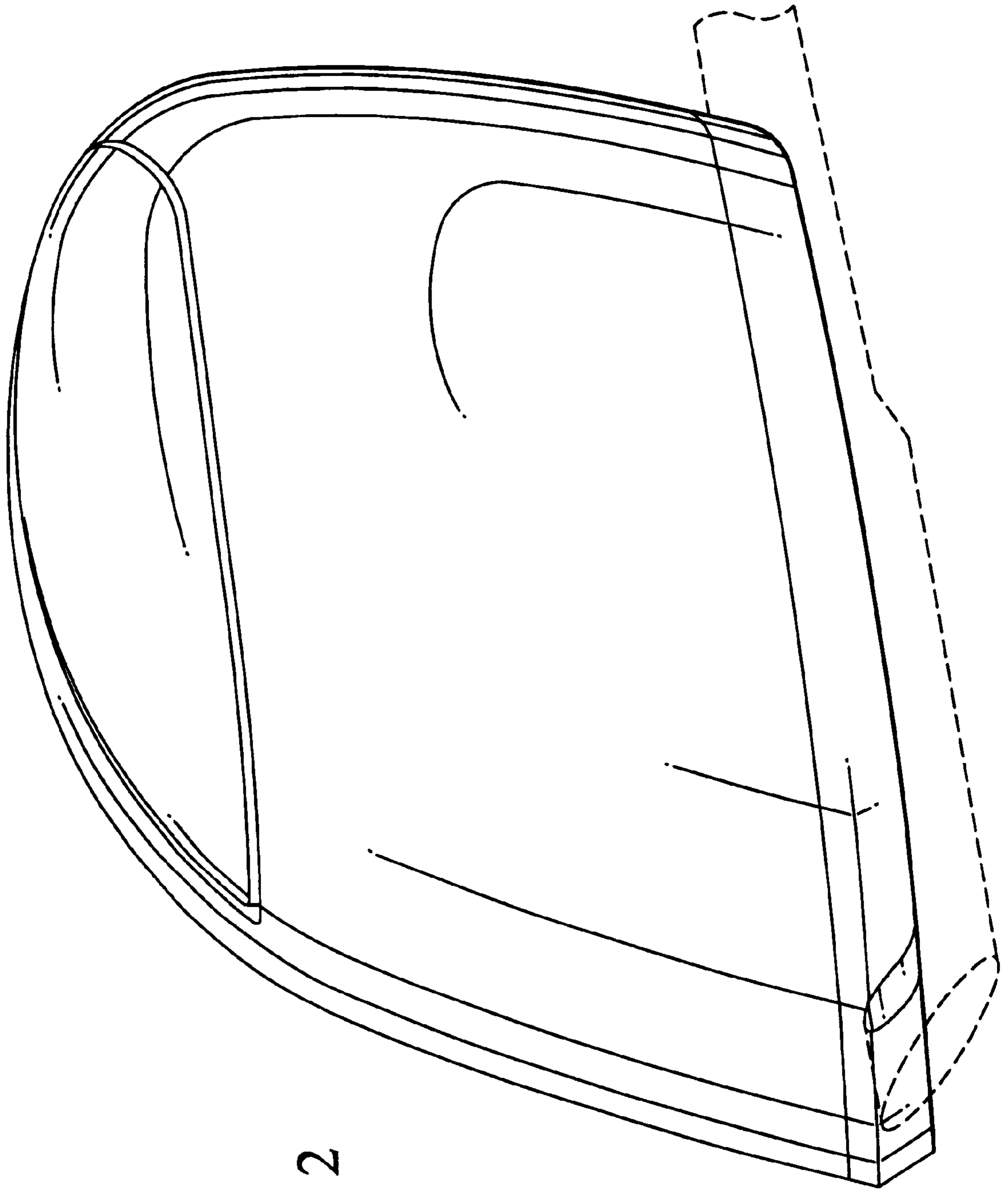


FIG. 2

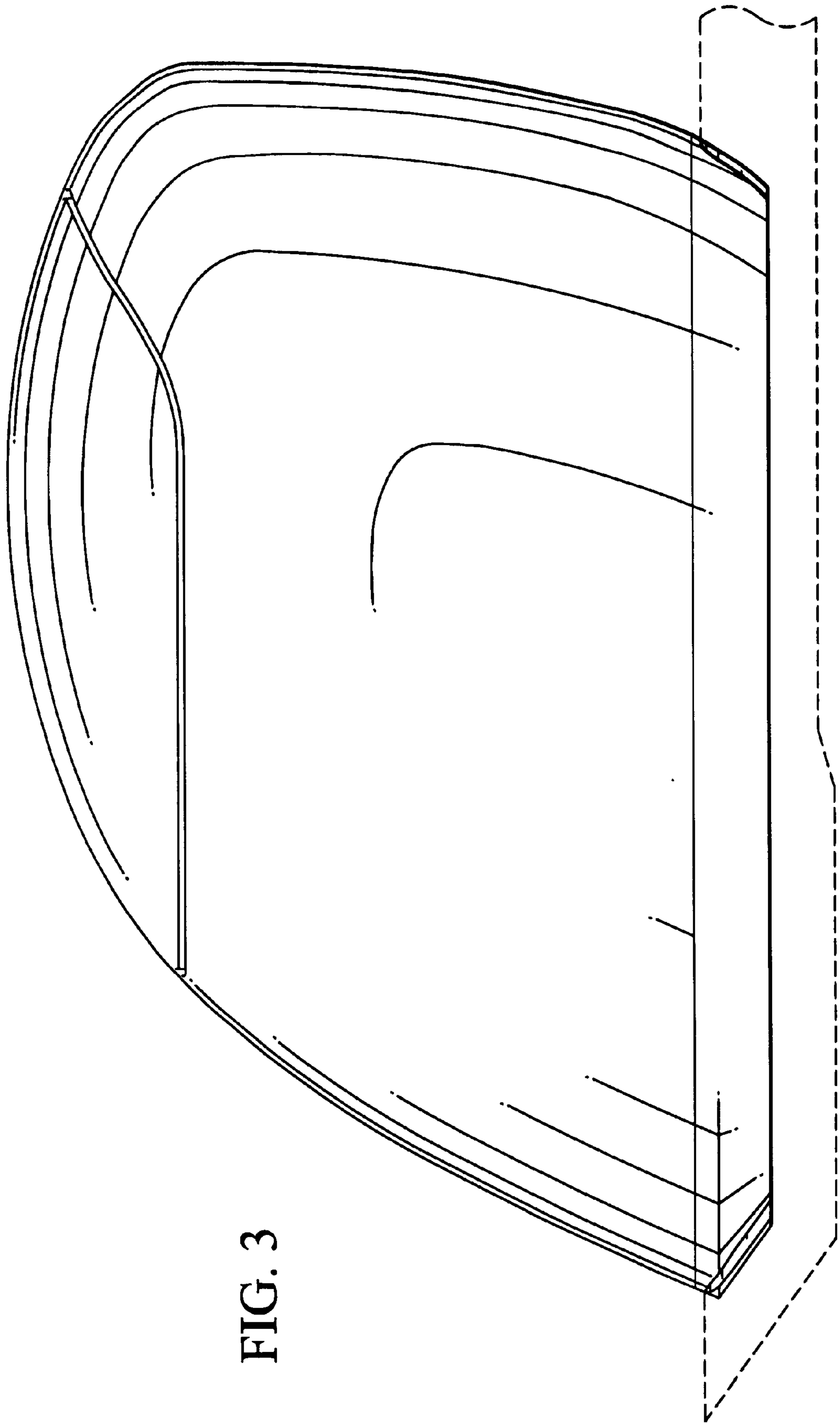
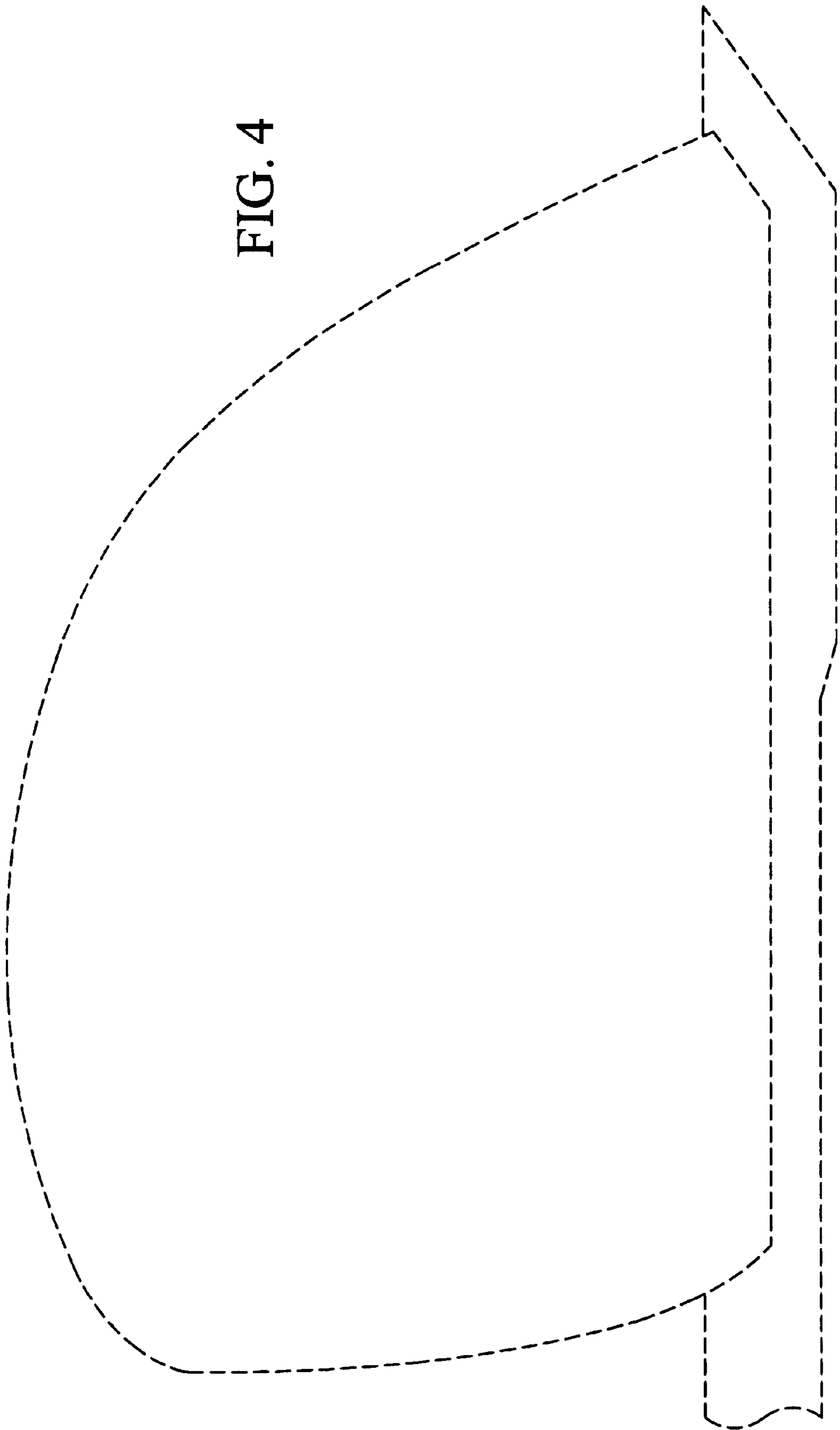


FIG. 3

FIG. 4



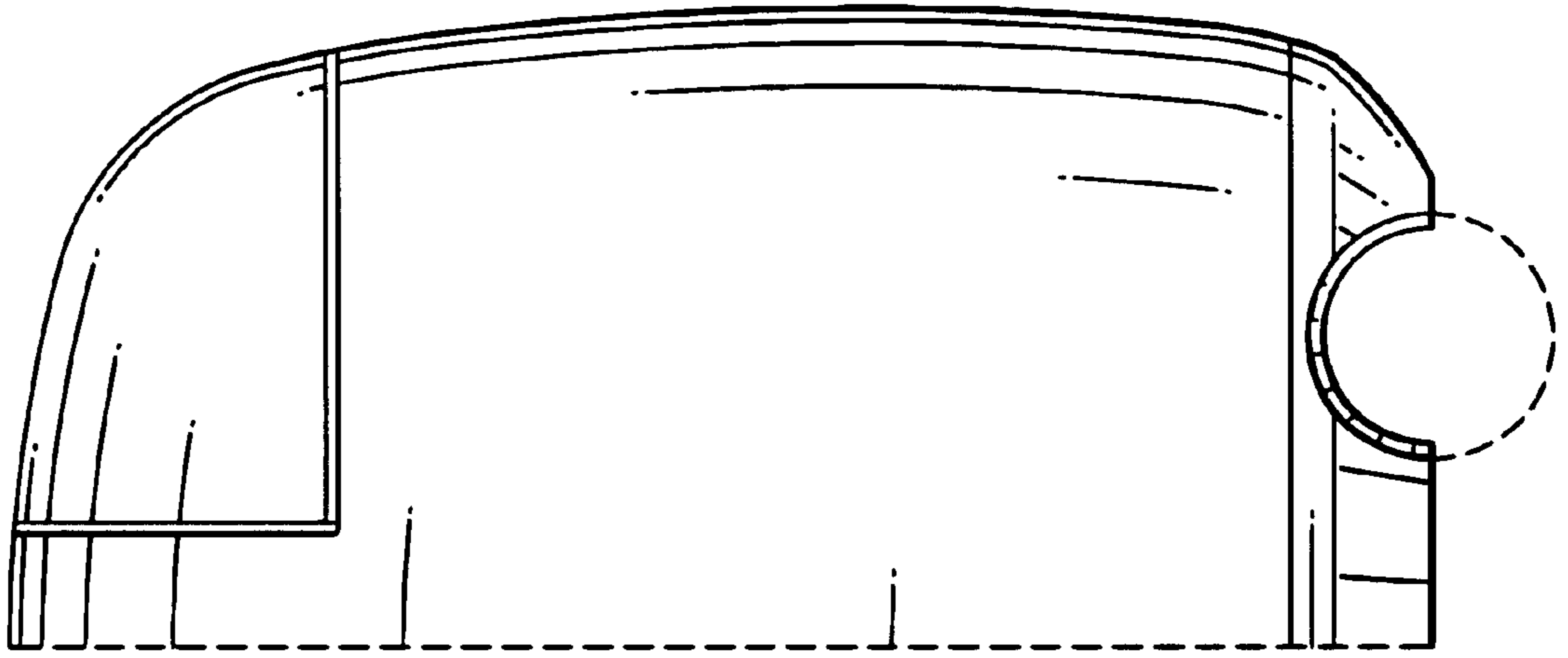


FIG. 5

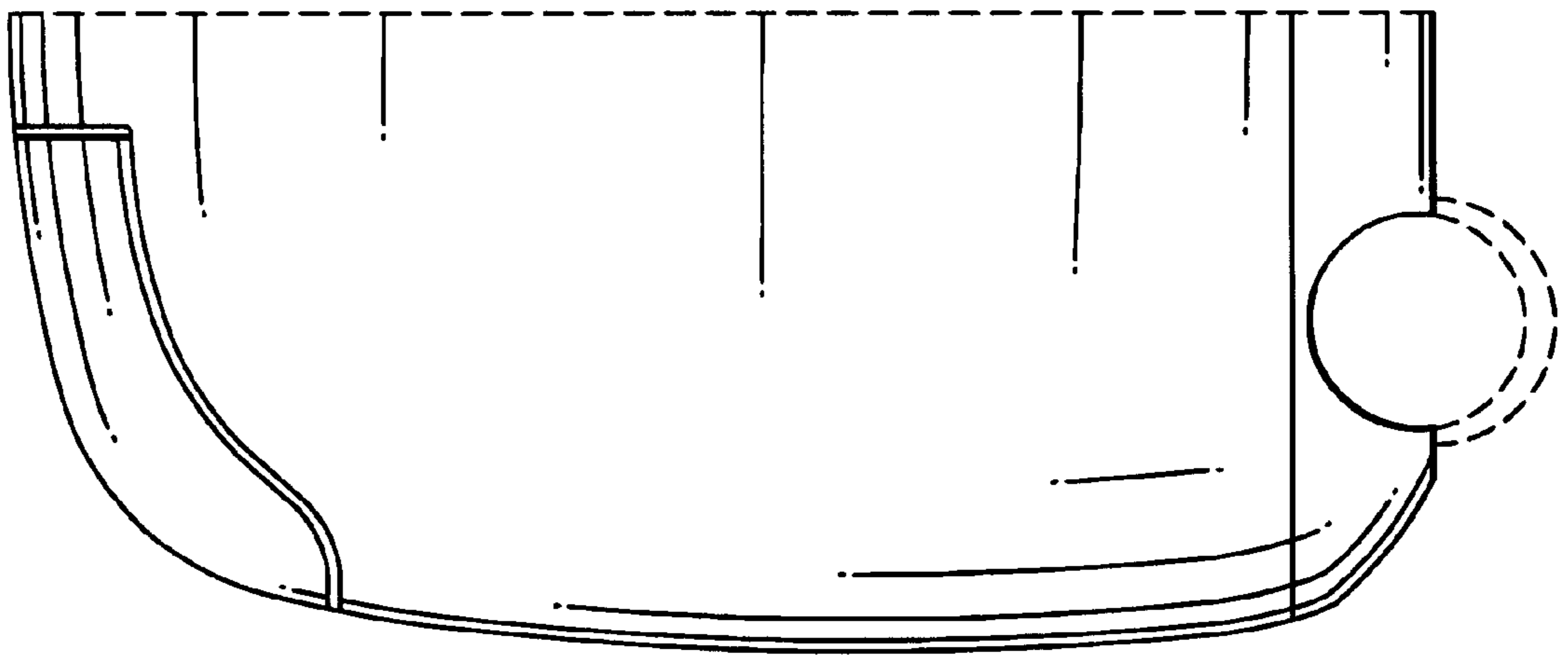


FIG. 6

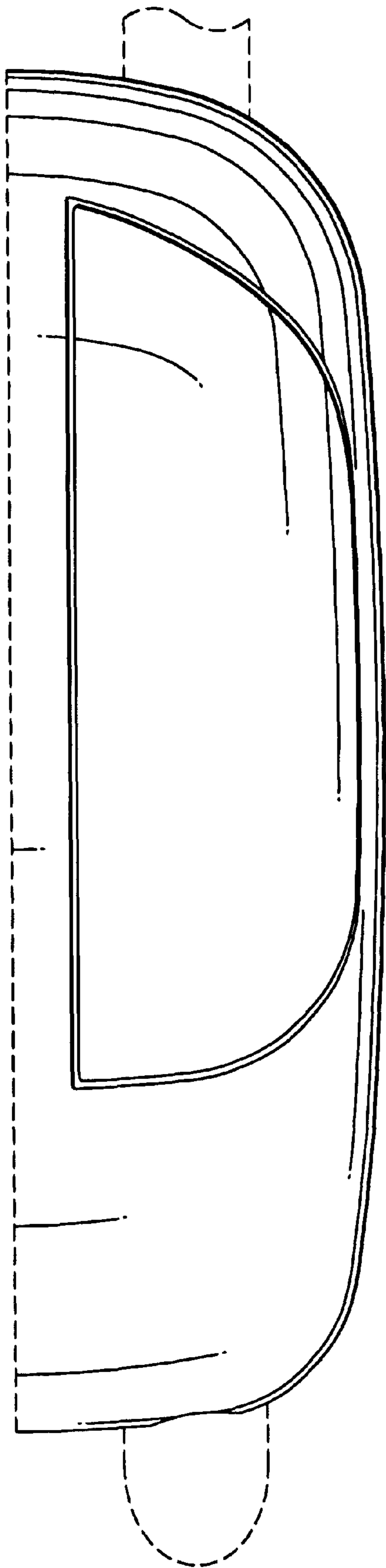


FIG. 7

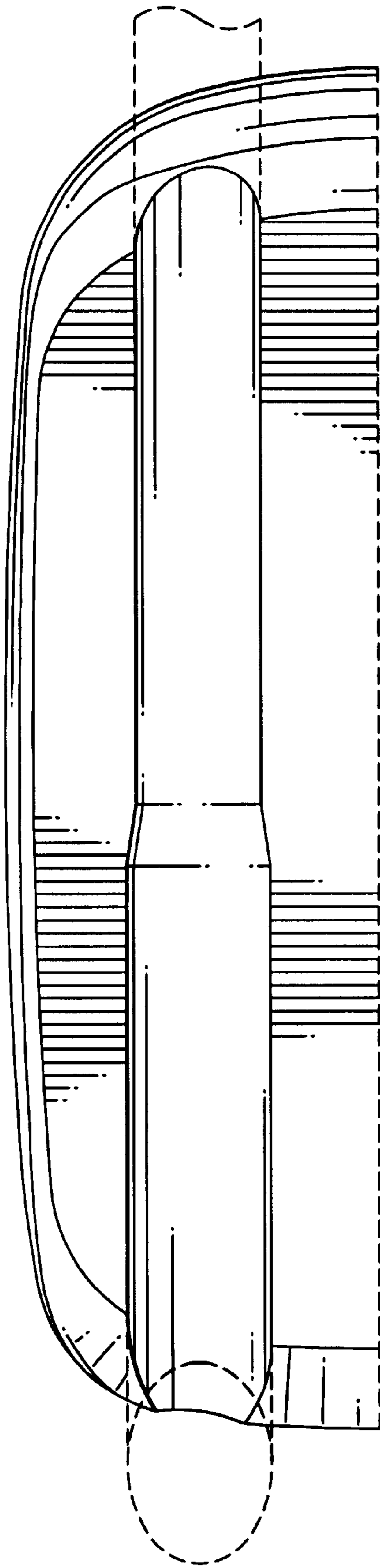


FIG. 8

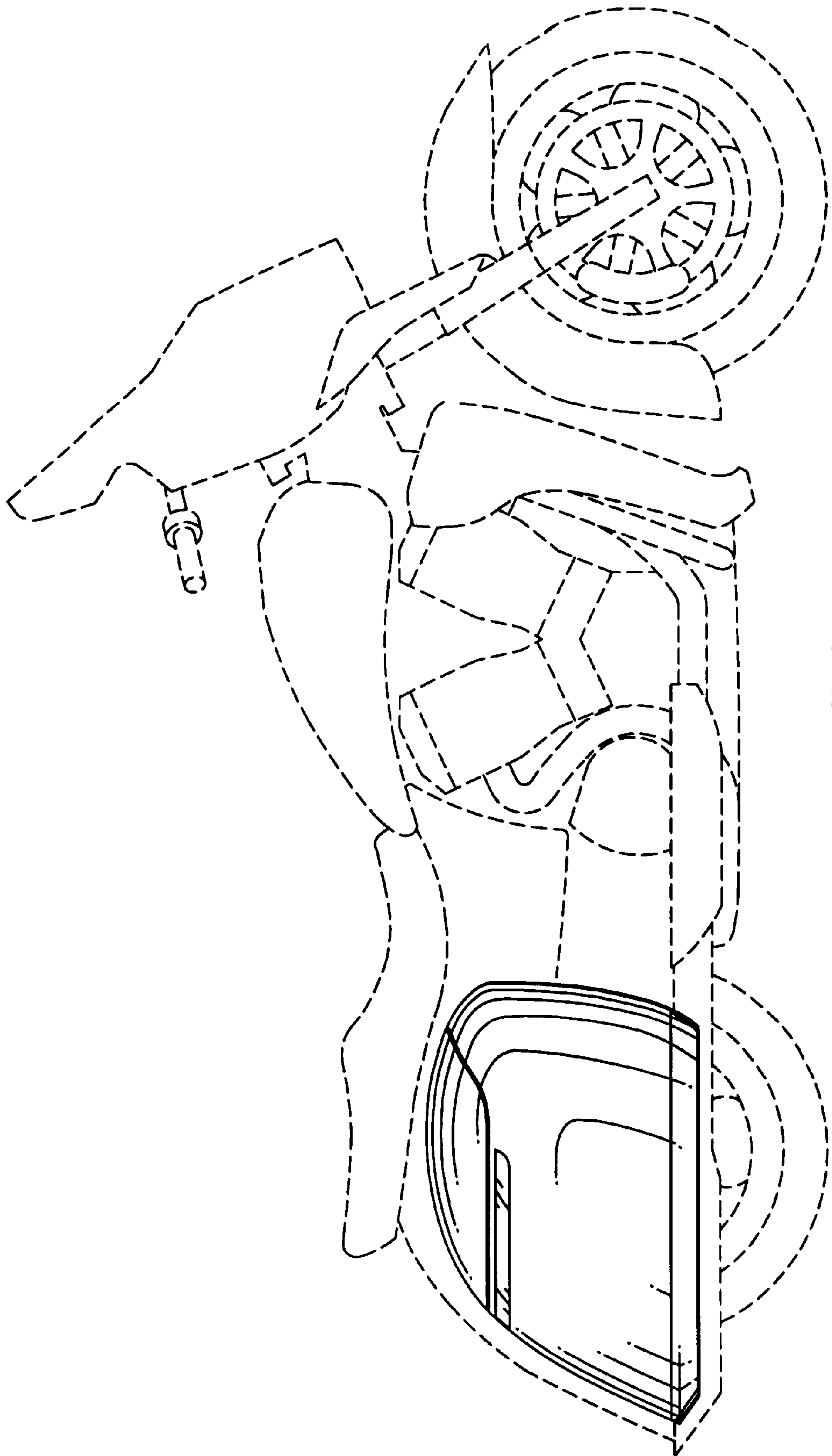


FIG. 9

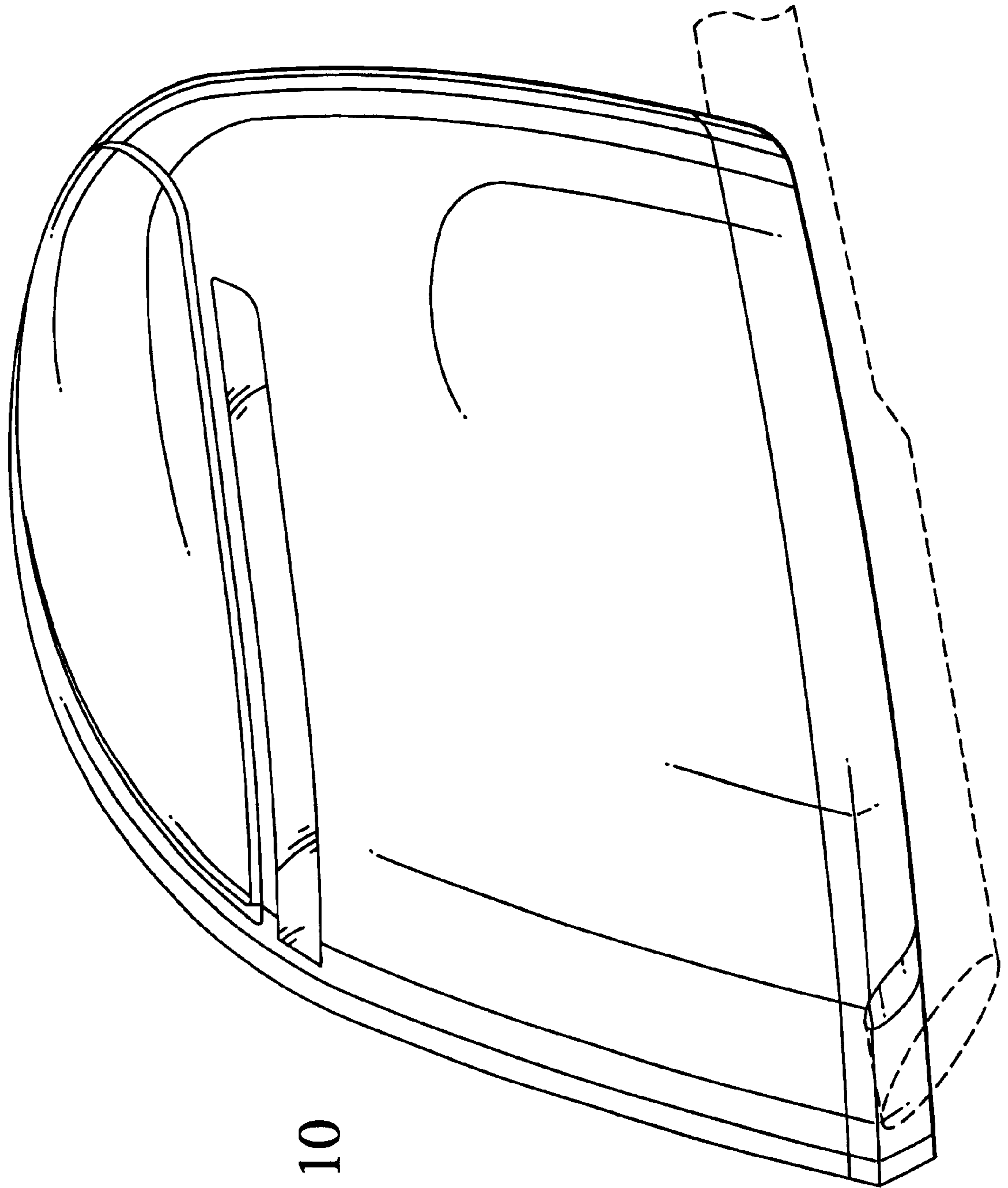


FIG. 10

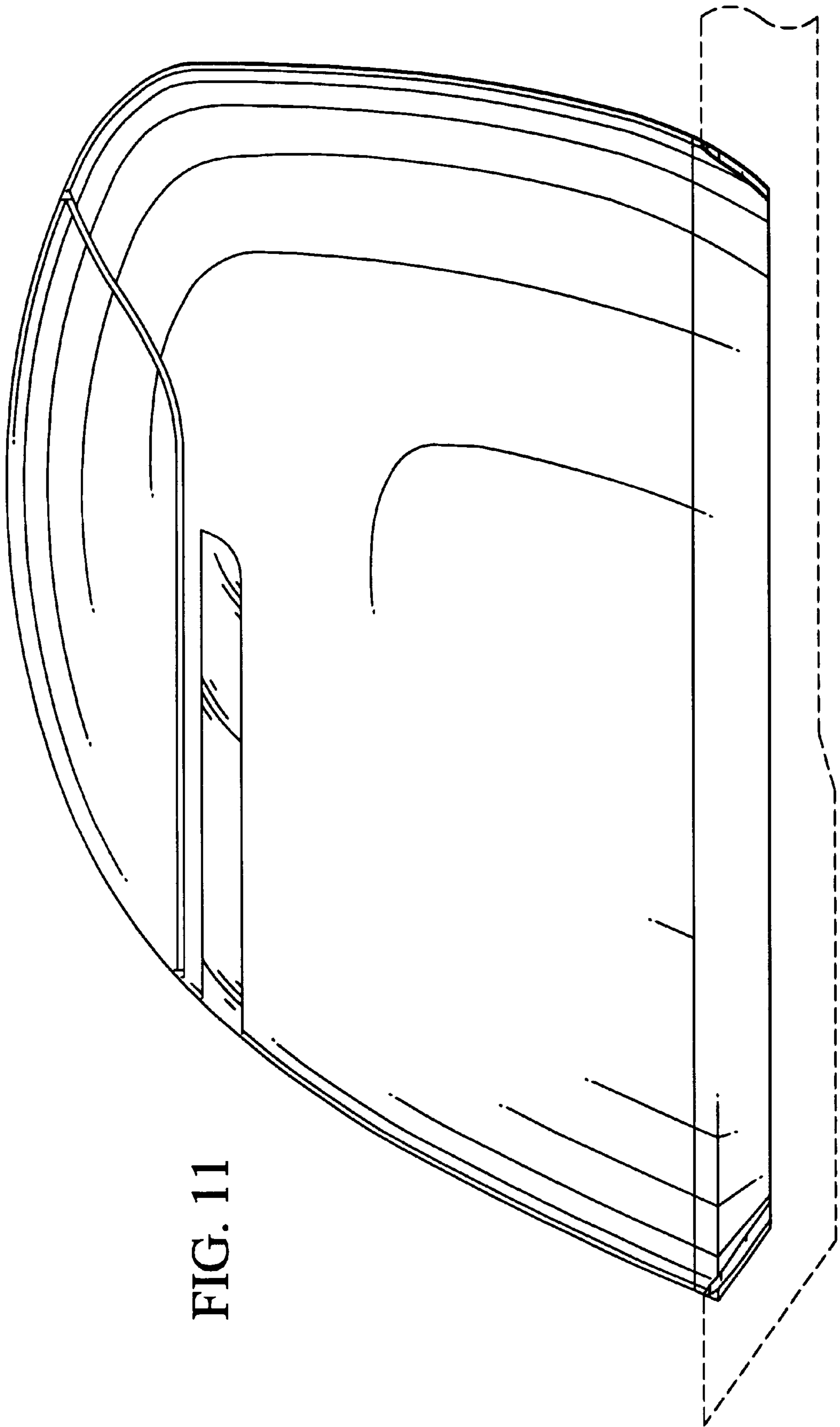
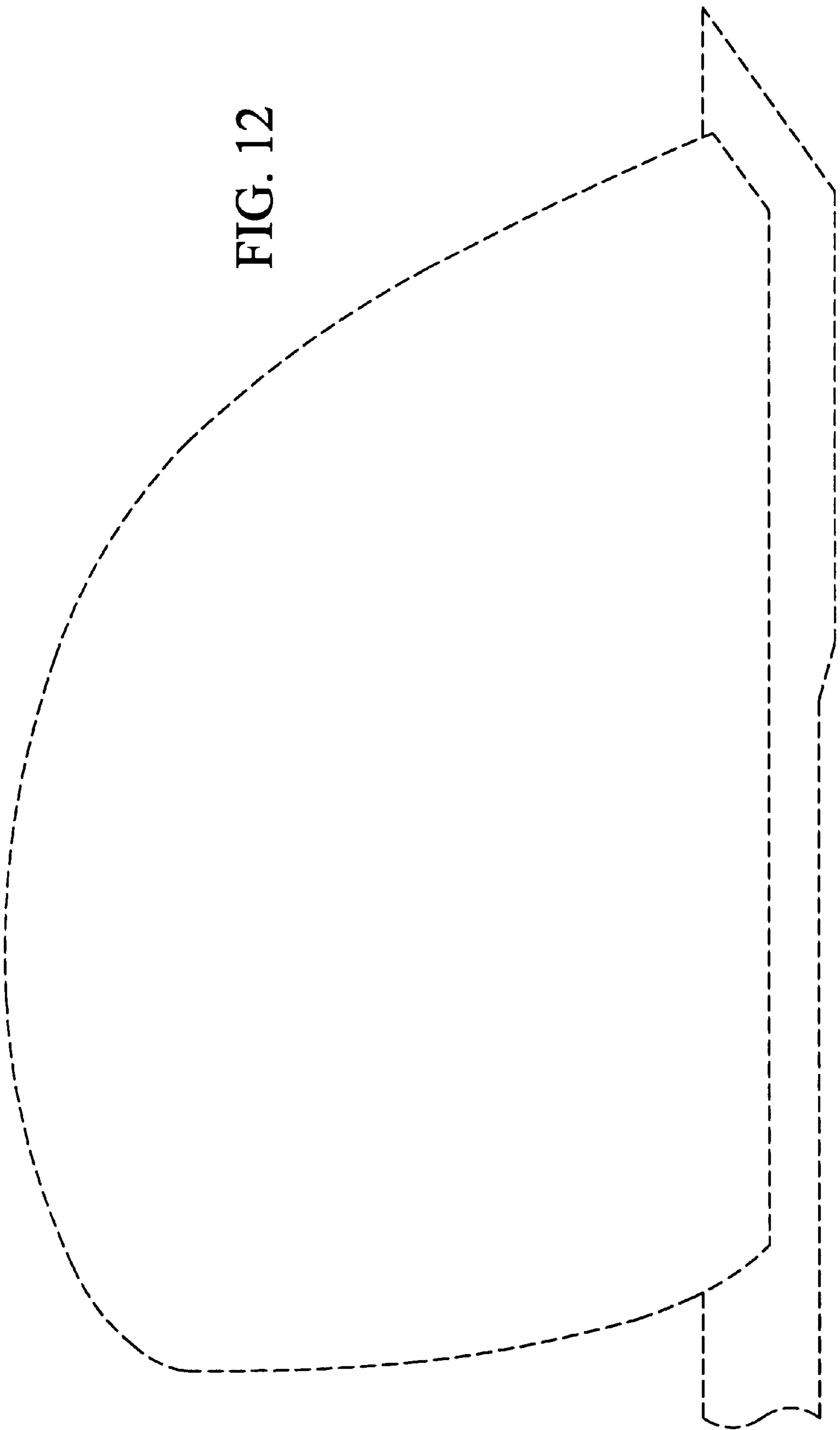


FIG. 11

FIG. 12



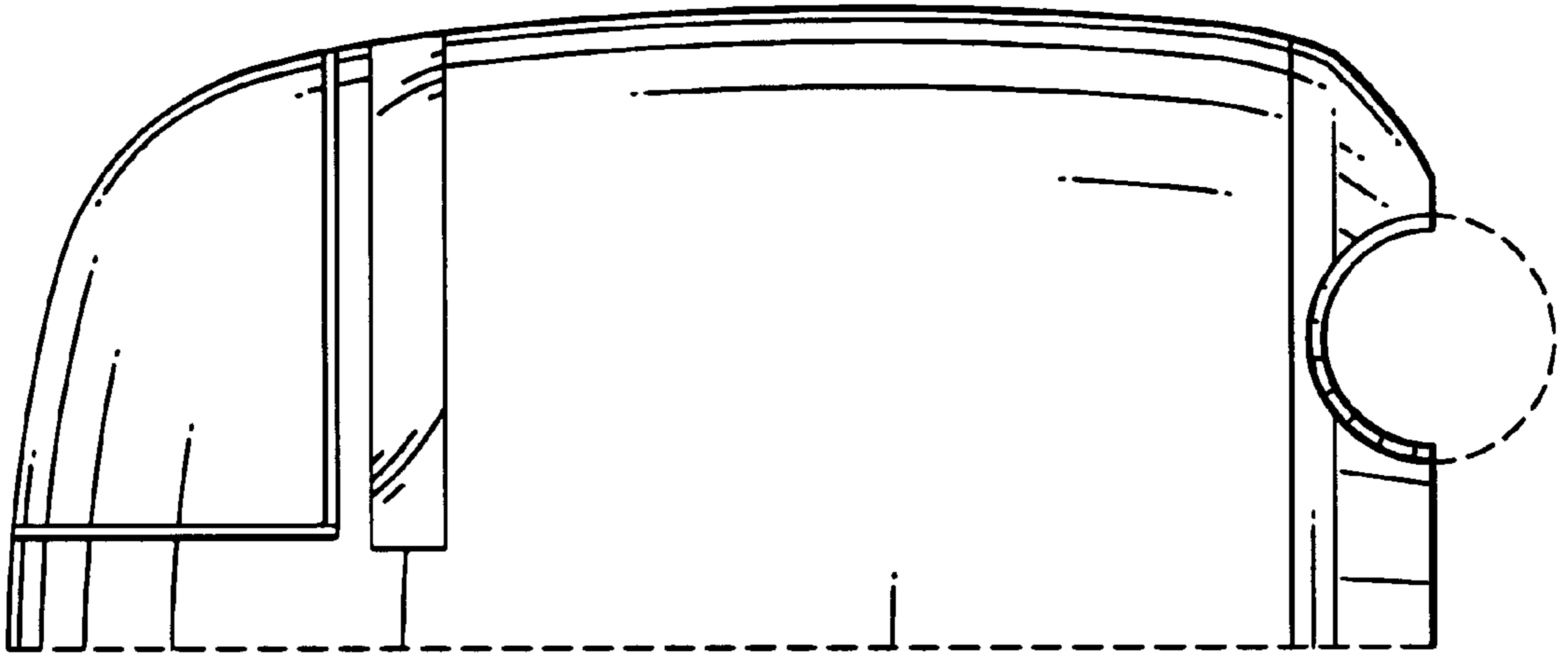


FIG. 14

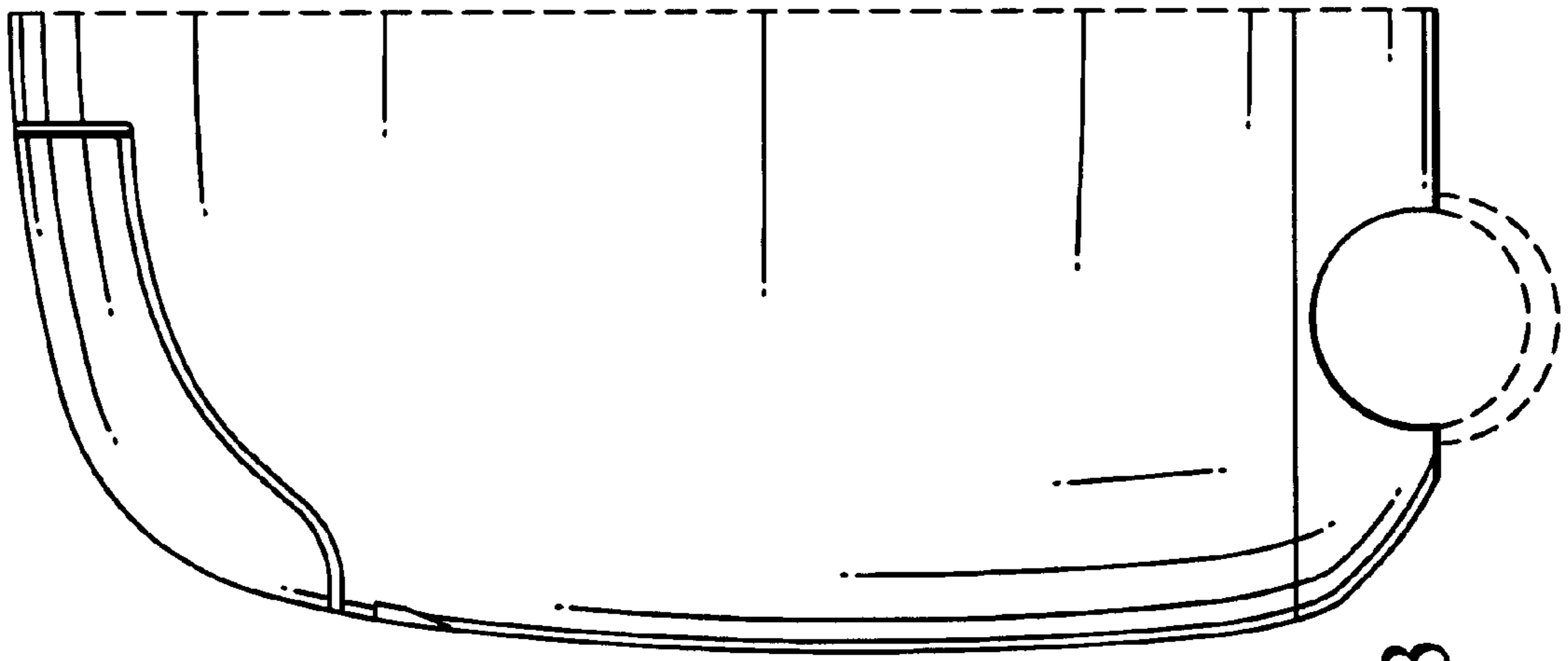


FIG. 13

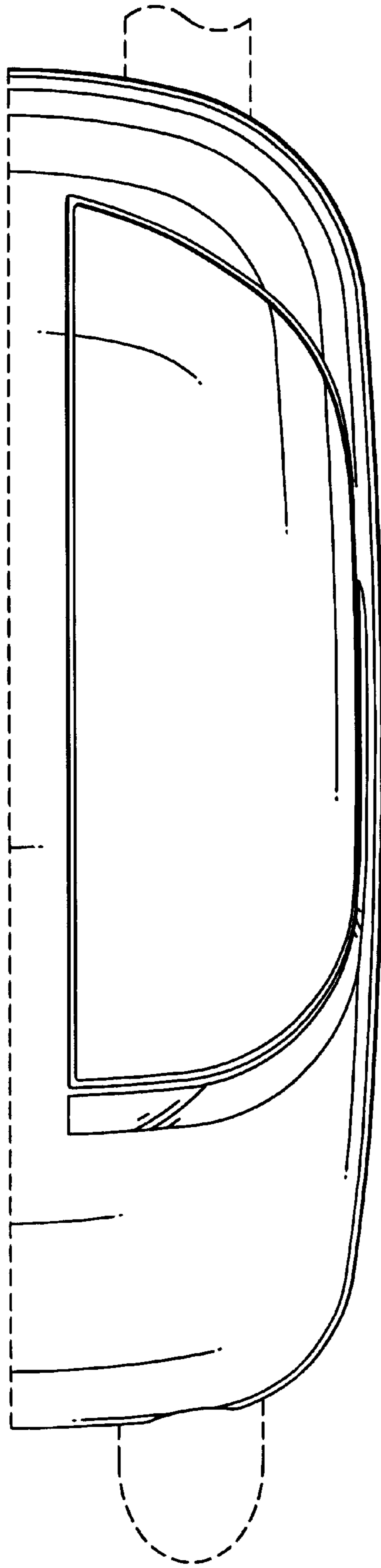


FIG. 15

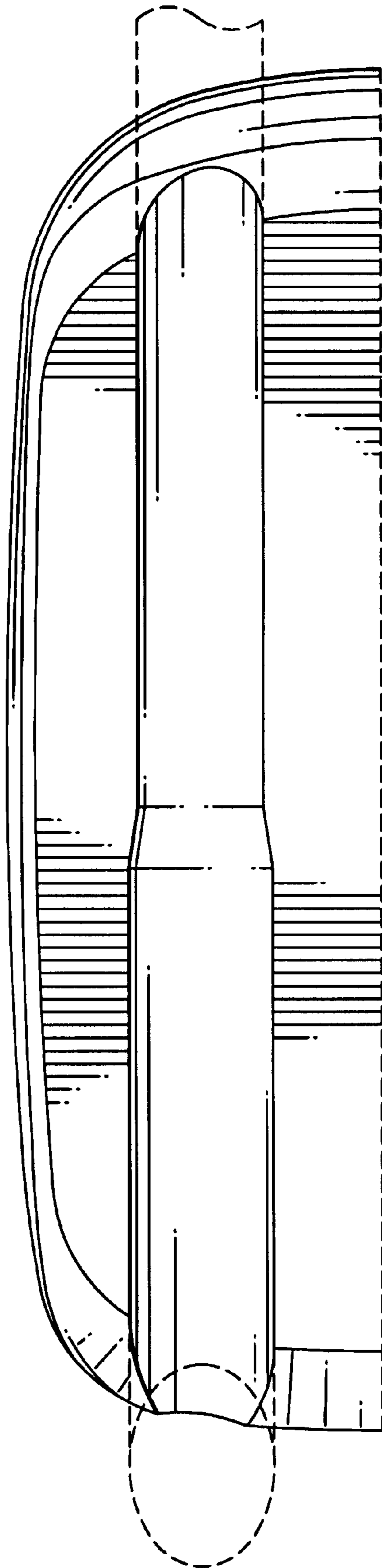


FIG. 16

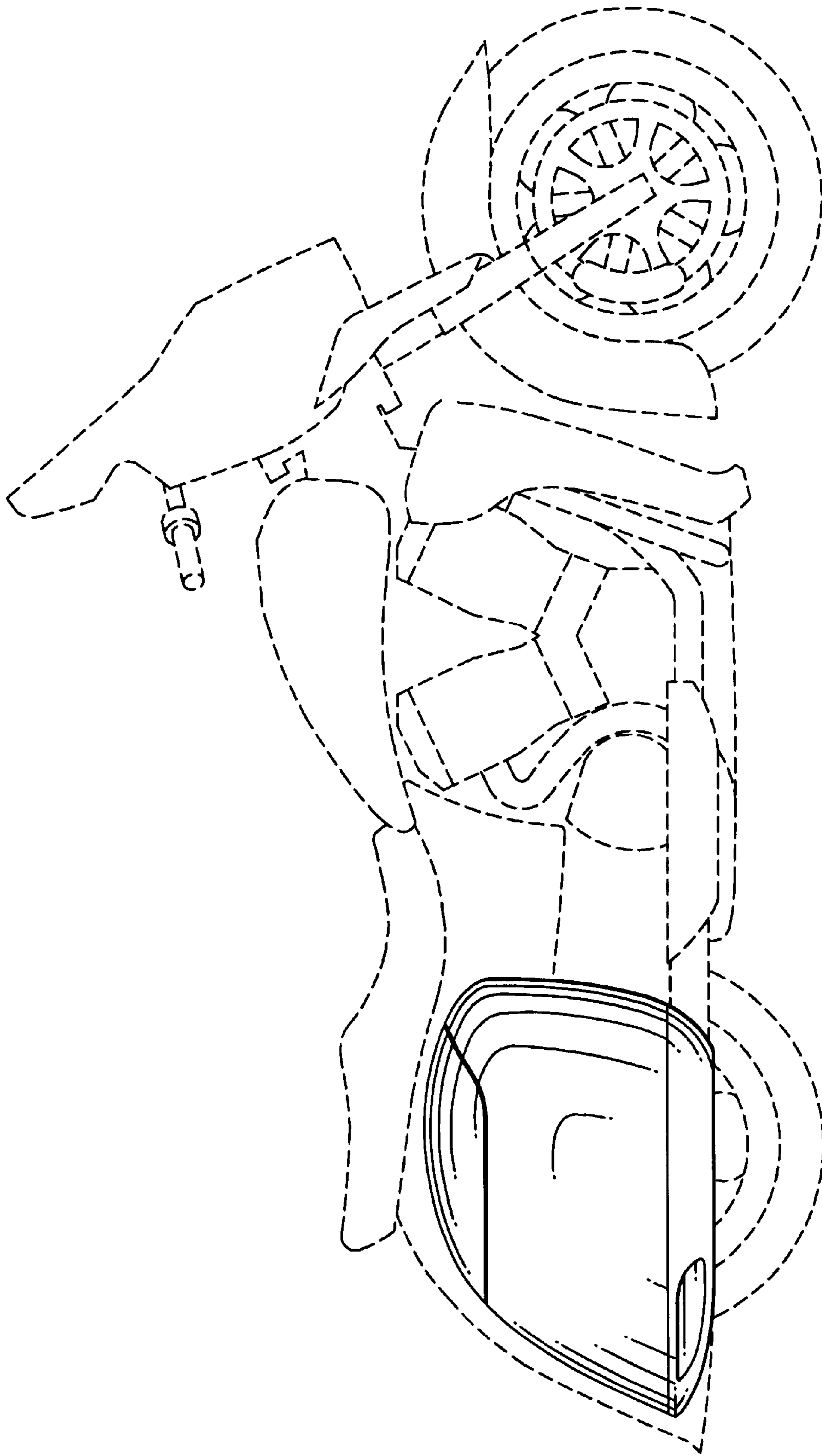


FIG. 17

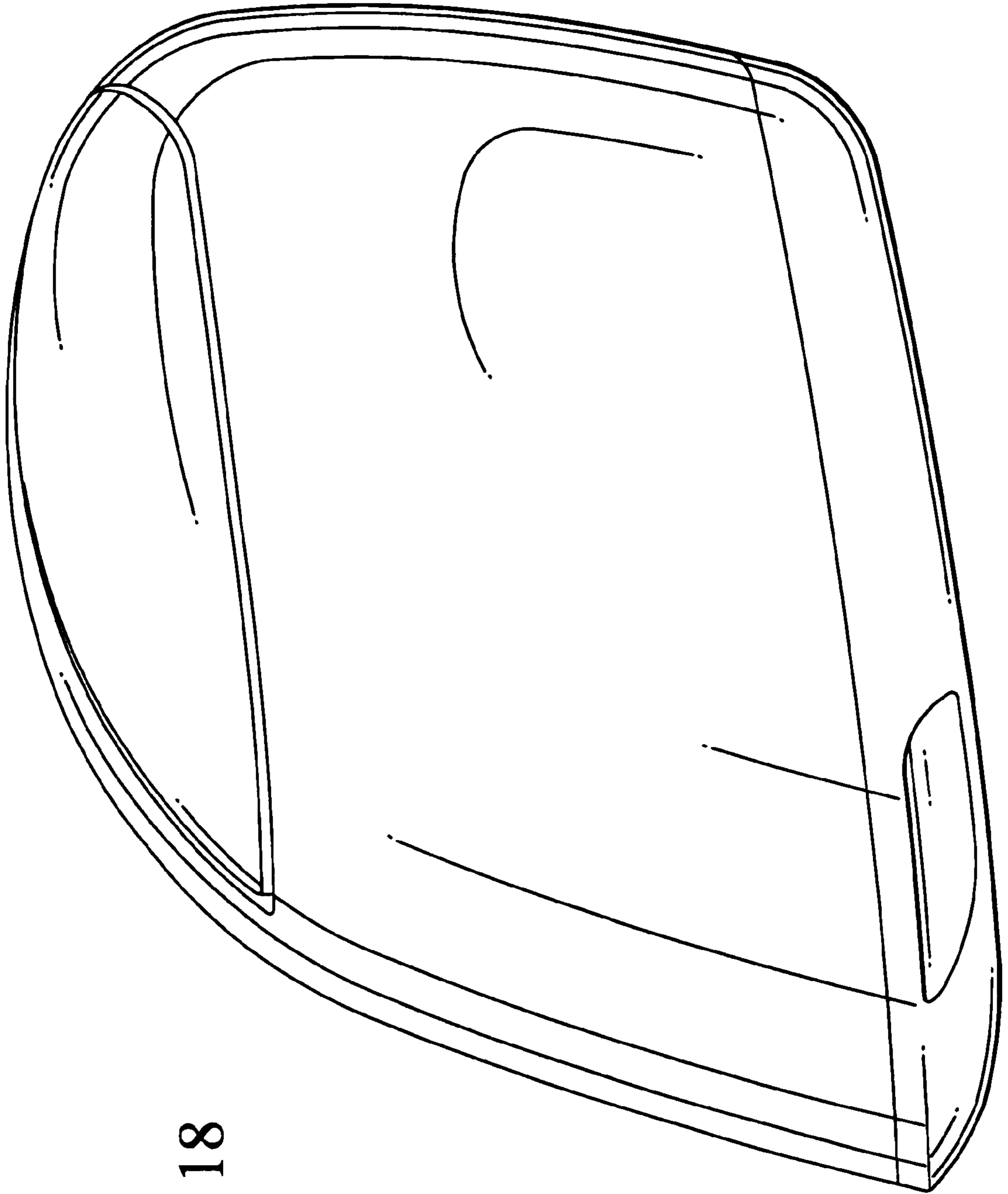


FIG. 18

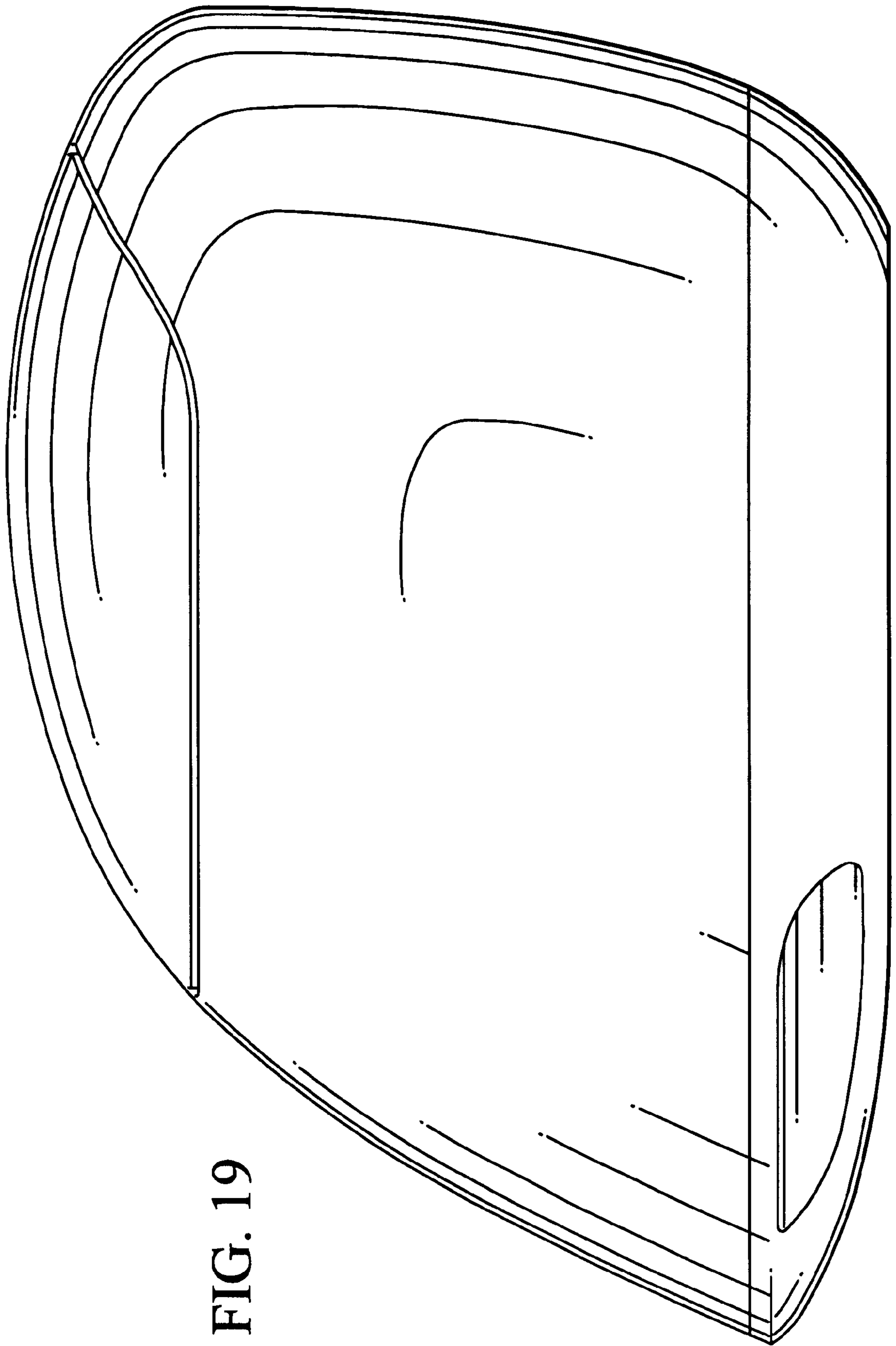
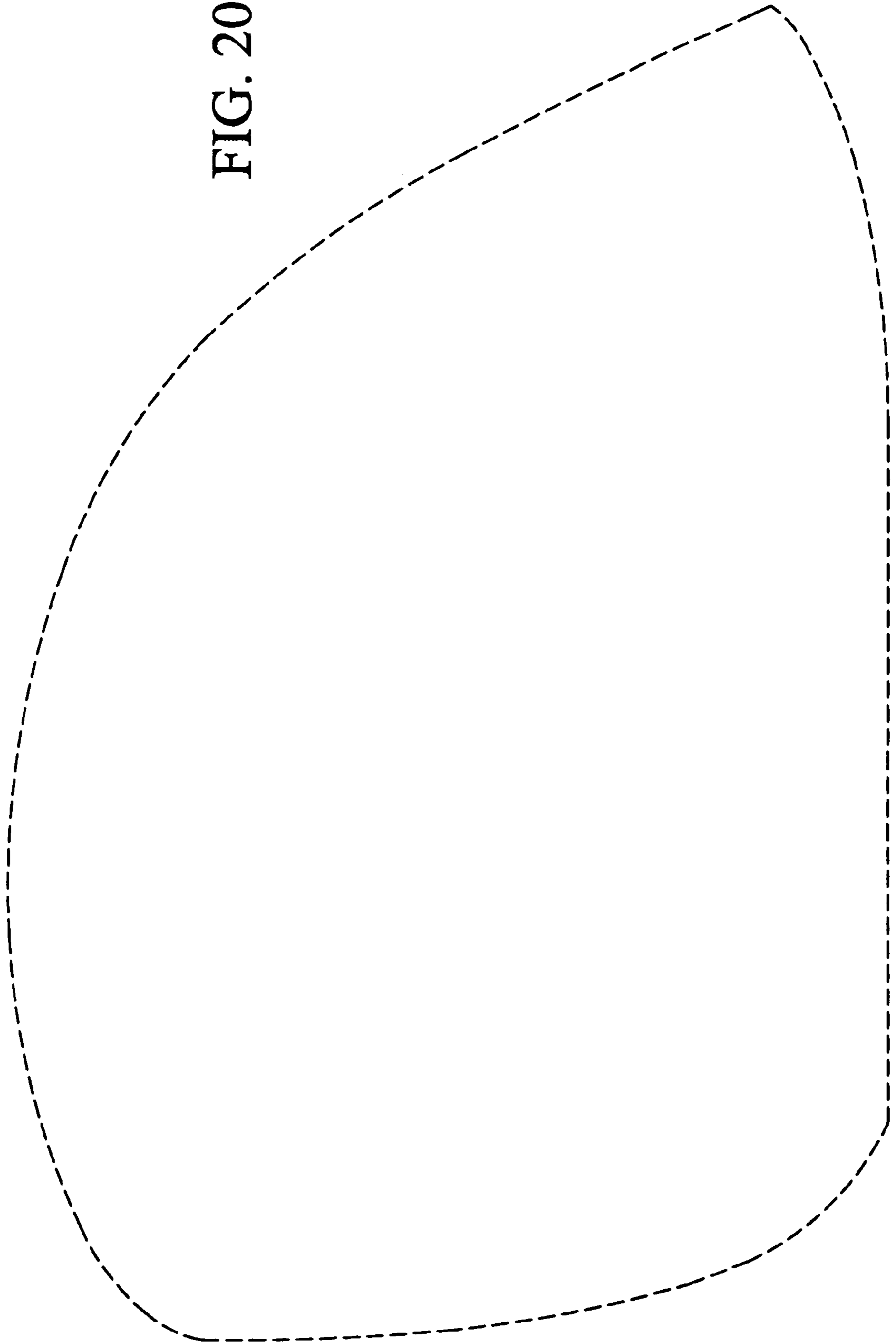


FIG. 19

FIG. 20



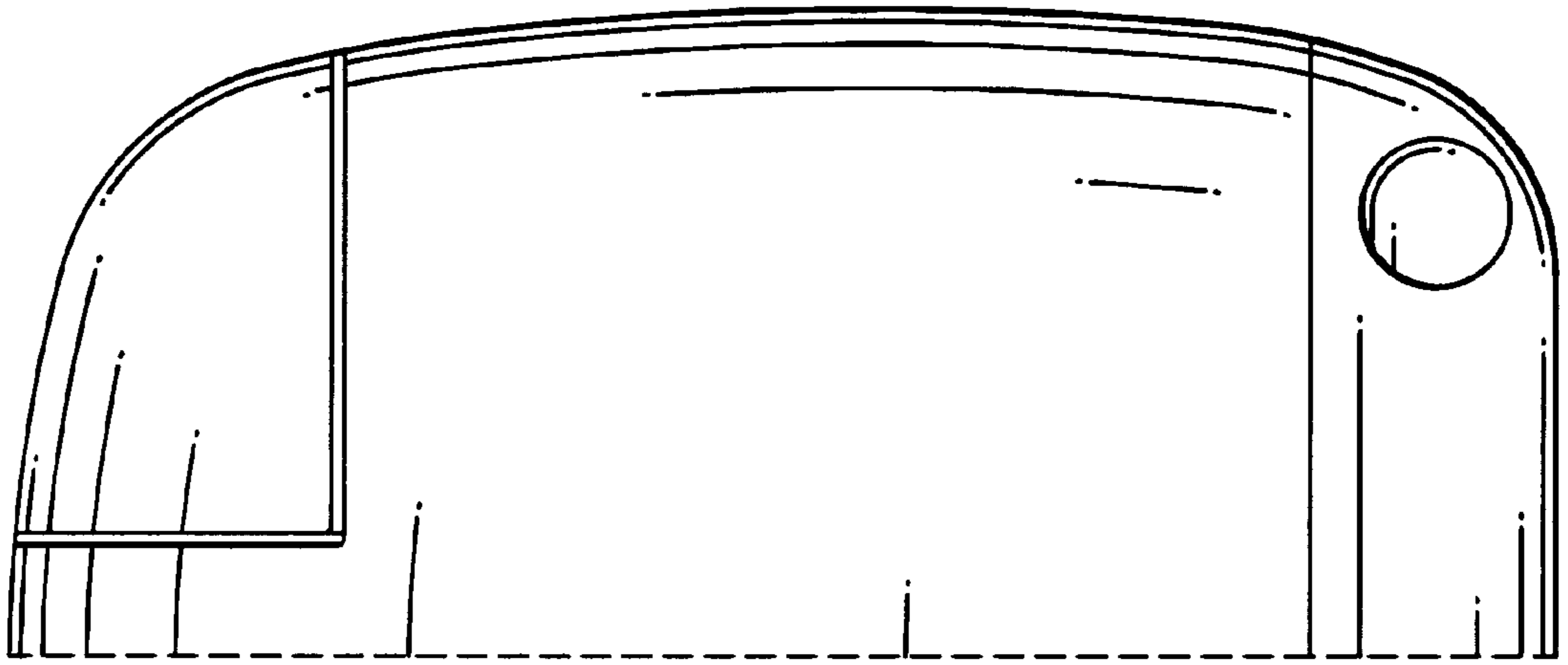


FIG. 22

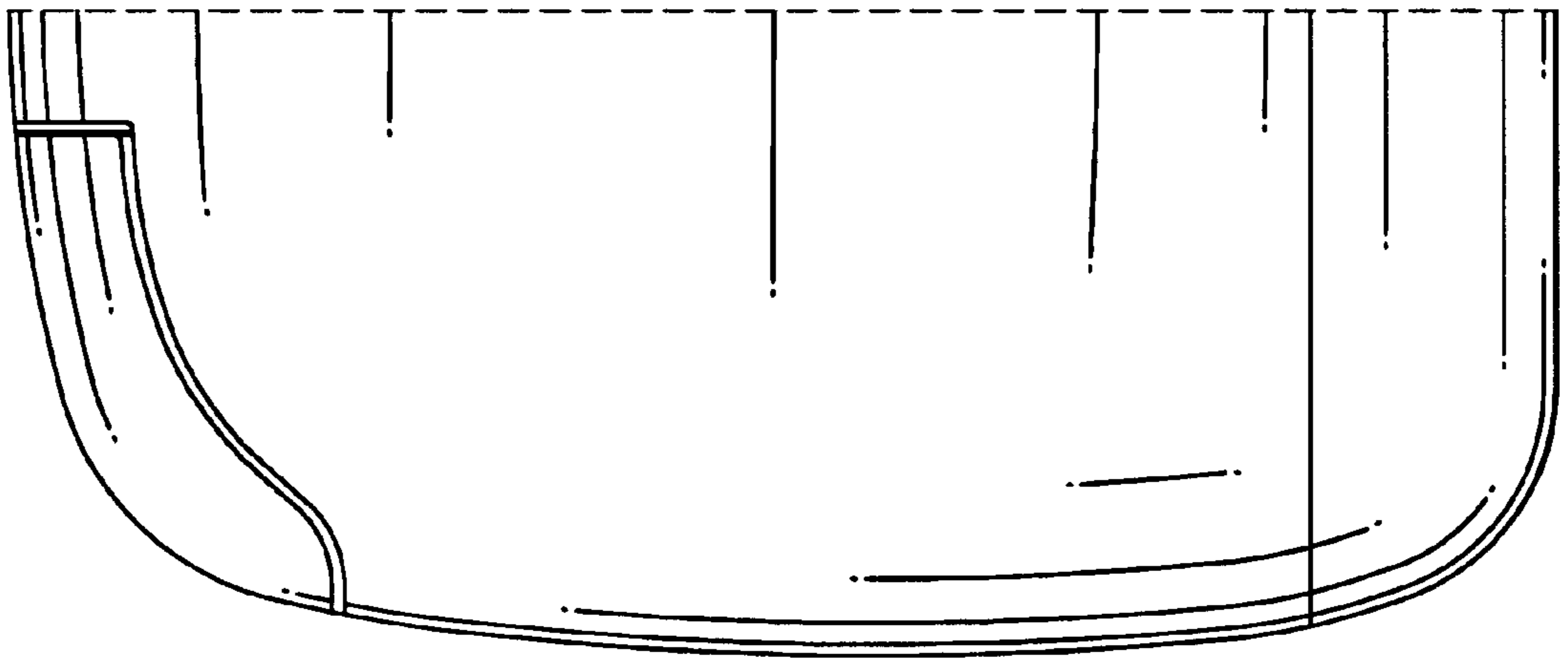


FIG. 21

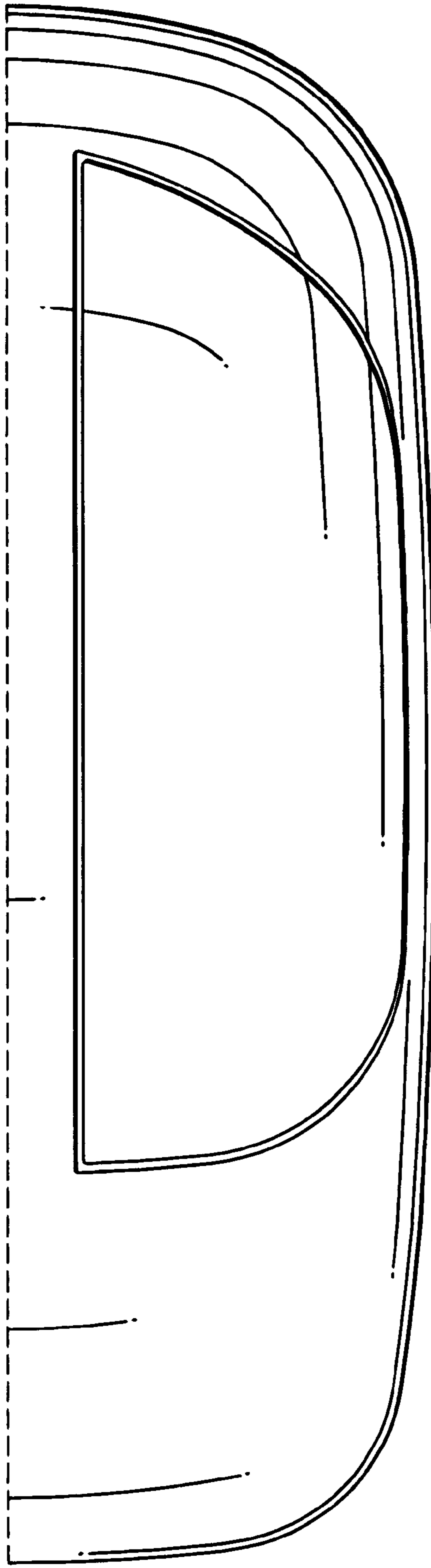


FIG. 23

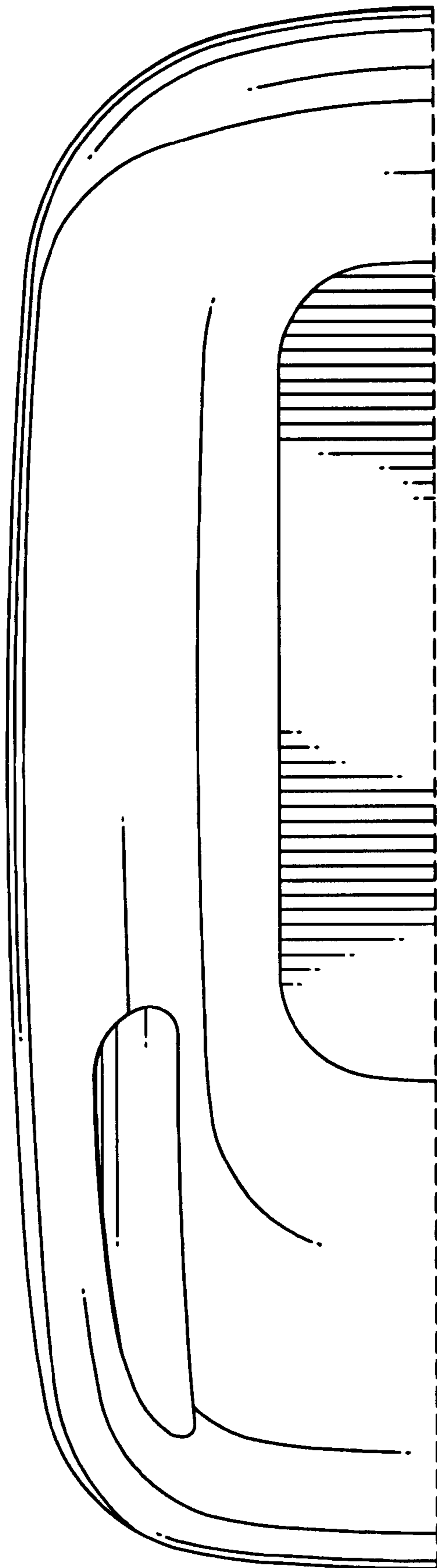


FIG. 24