



US00D470096S

(12) **United States Design Patent**
Pierret et al.

(10) **Patent No.:** **US D470,096 S**

(45) **Date of Patent:** **** Feb. 11, 2003**

(54) **LUGGAGE SUPPORT FOR BICYCLE**

(76) Inventors: **Johan Maria Alfons Pierret**,
Breughelstraat 48, Antwerpen (BE),
2018; **Karel Lydia Willem Pierret**,
Breughelstraat 48, Antwerpen (BE),
2018

(**) Term: **14 Years**

(21) Appl. No.: **29/152,488**

(22) Filed: **Dec. 26, 2001**

(30) **Foreign Application Priority Data**

Jun. 26, 2001 (BE) 33154-01

(51) **LOC (7) Cl.** **12-16**

(52) **U.S. Cl.** **D12/407**

(58) **Field of Search** D12/114, 406-408,
D12/223; 224/419-450, 275, 276; 280/288.4;
D8/330-345; 70/233-235, 38 A, 39; 211/5

(56) **References Cited**

U.S. PATENT DOCUMENTS

4,256,322 A * 3/1981 Otsuka et al. 70/233 X

5,092,142 A * 3/1992 Zane et al. 70/39
5,133,568 A * 7/1992 Balterman 280/288.4
5,987,940 A * 11/1999 Chang 70/38 A
D430,787 S * 9/2000 Liu D8/333

* cited by examiner

Primary Examiner—Alan P. Douglas

Assistant Examiner—Linda Brooks

(57) **CLAIM**

The ornamental design for a luggage support for bicycle, as shown and described.

DESCRIPTION

FIG. 1 is an upper right perspective of the luggage support for bicycle showing our new design, shown in exploded condition.

FIG. 2 is a right side view thereof, shown in exploded condition.

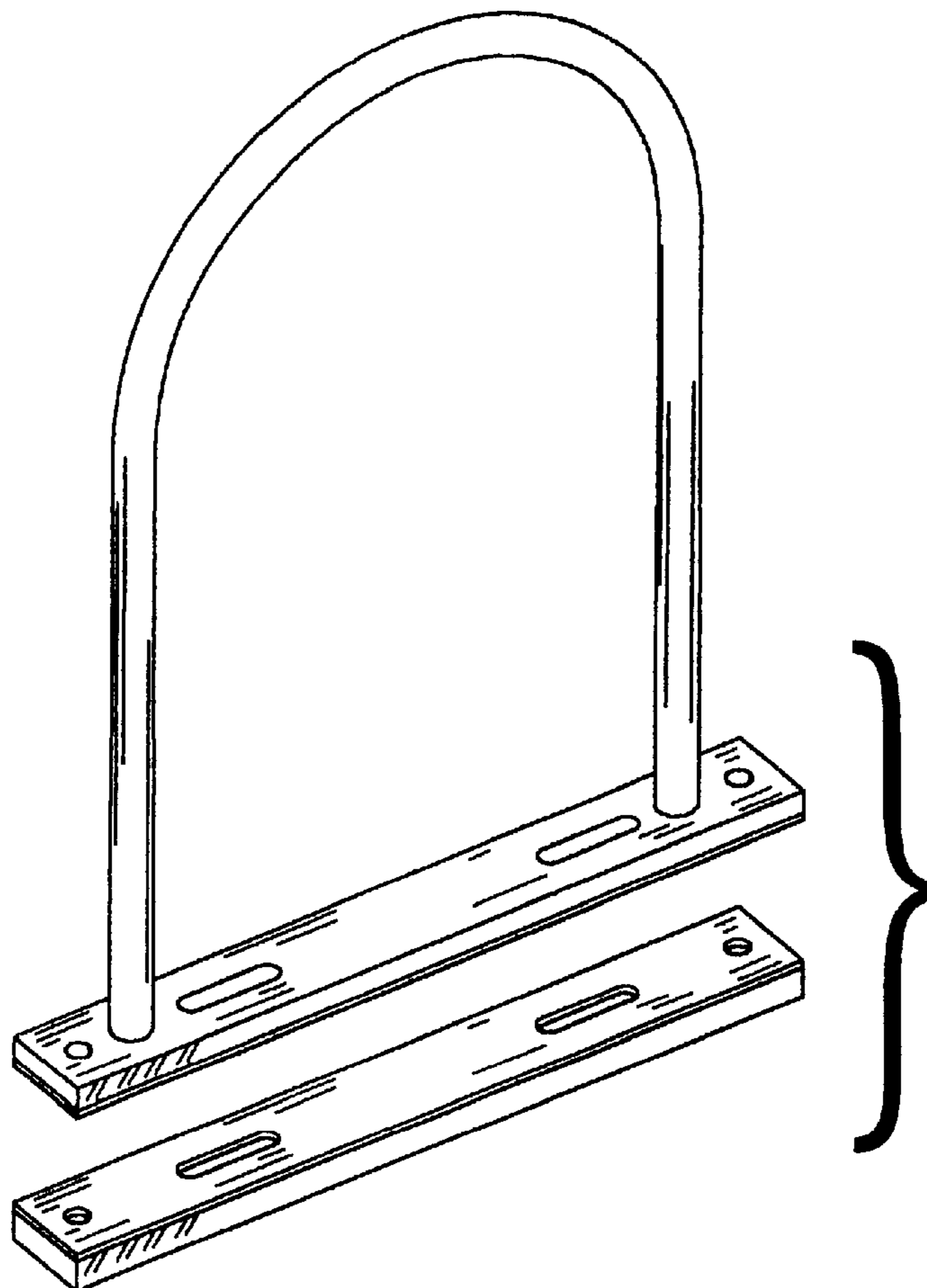
FIG. 3 is a left side view thereof, shown in exploded condition.

FIG. 4 is a front view thereof, shown in exploded condition.

FIG. 5 is a top view thereof; and,

FIG. 6 is a bottom view thereof.

1 Claim, 3 Drawing Sheets



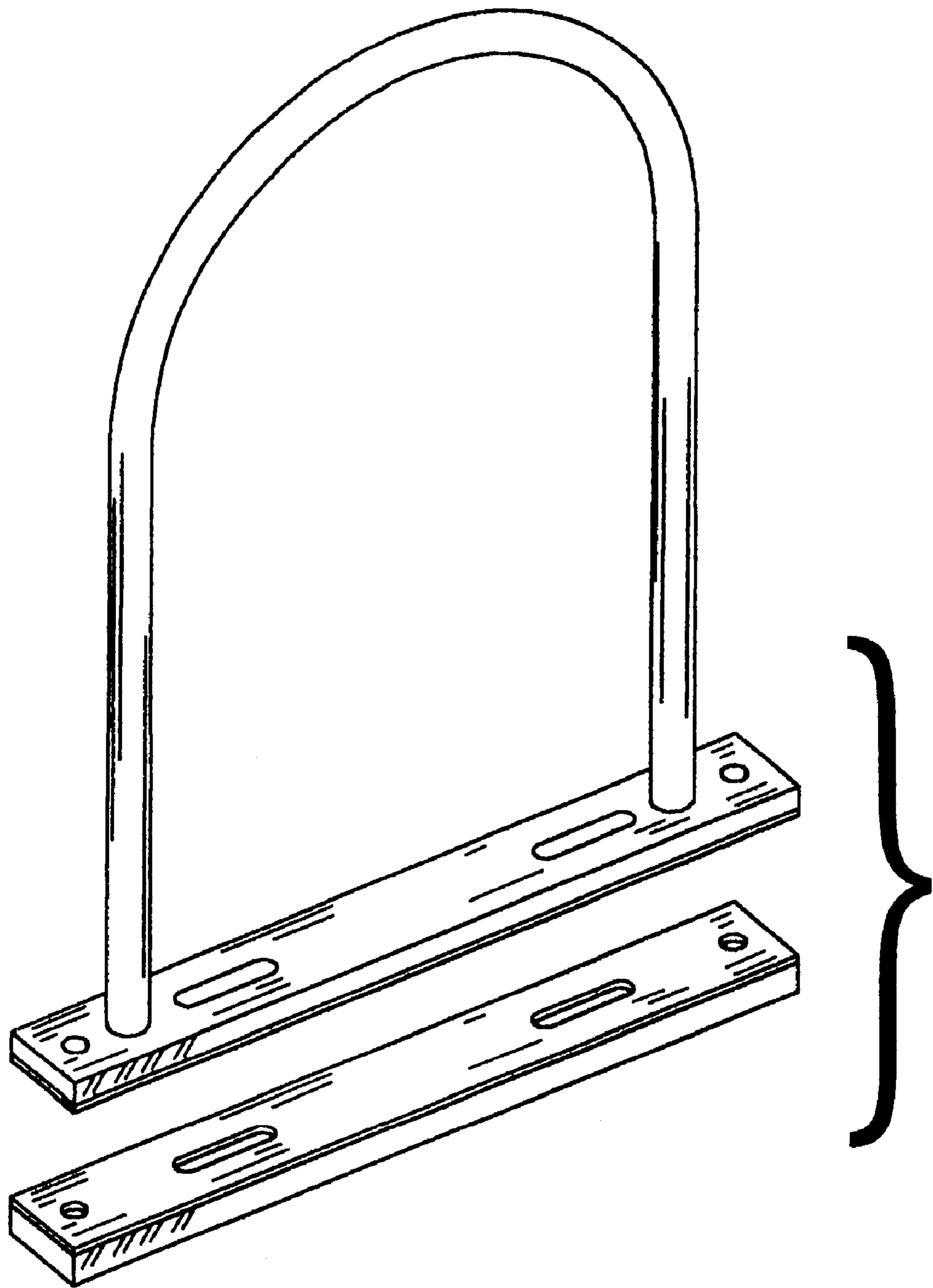


FIG. 1

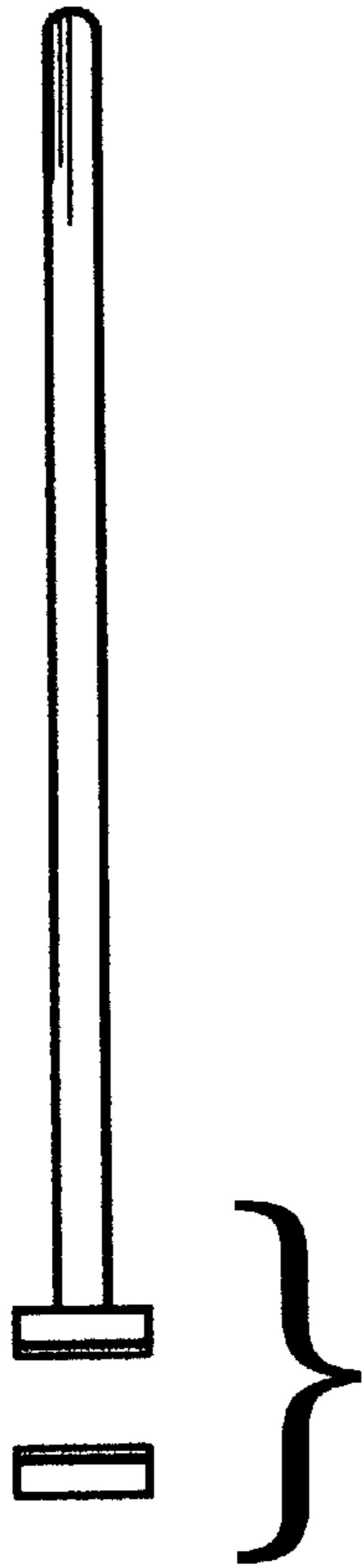


FIG. 2

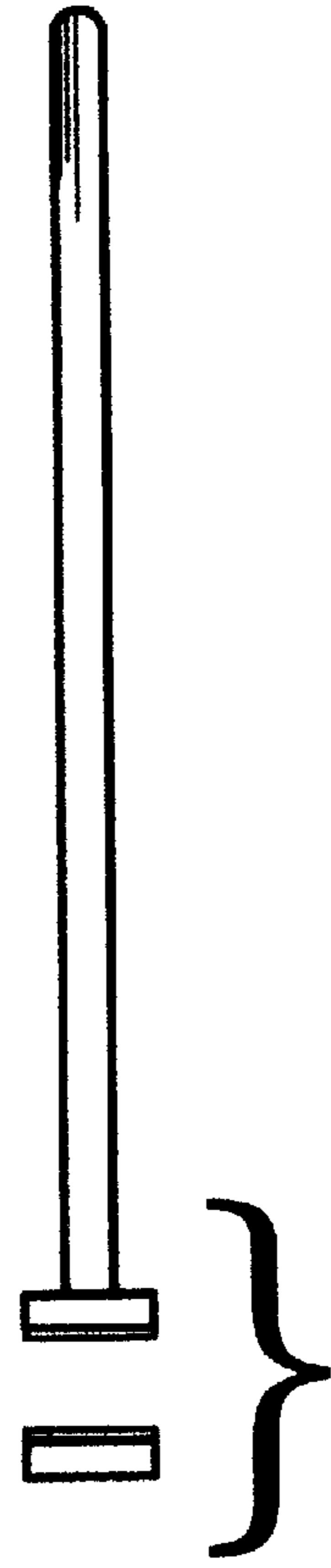


FIG. 3

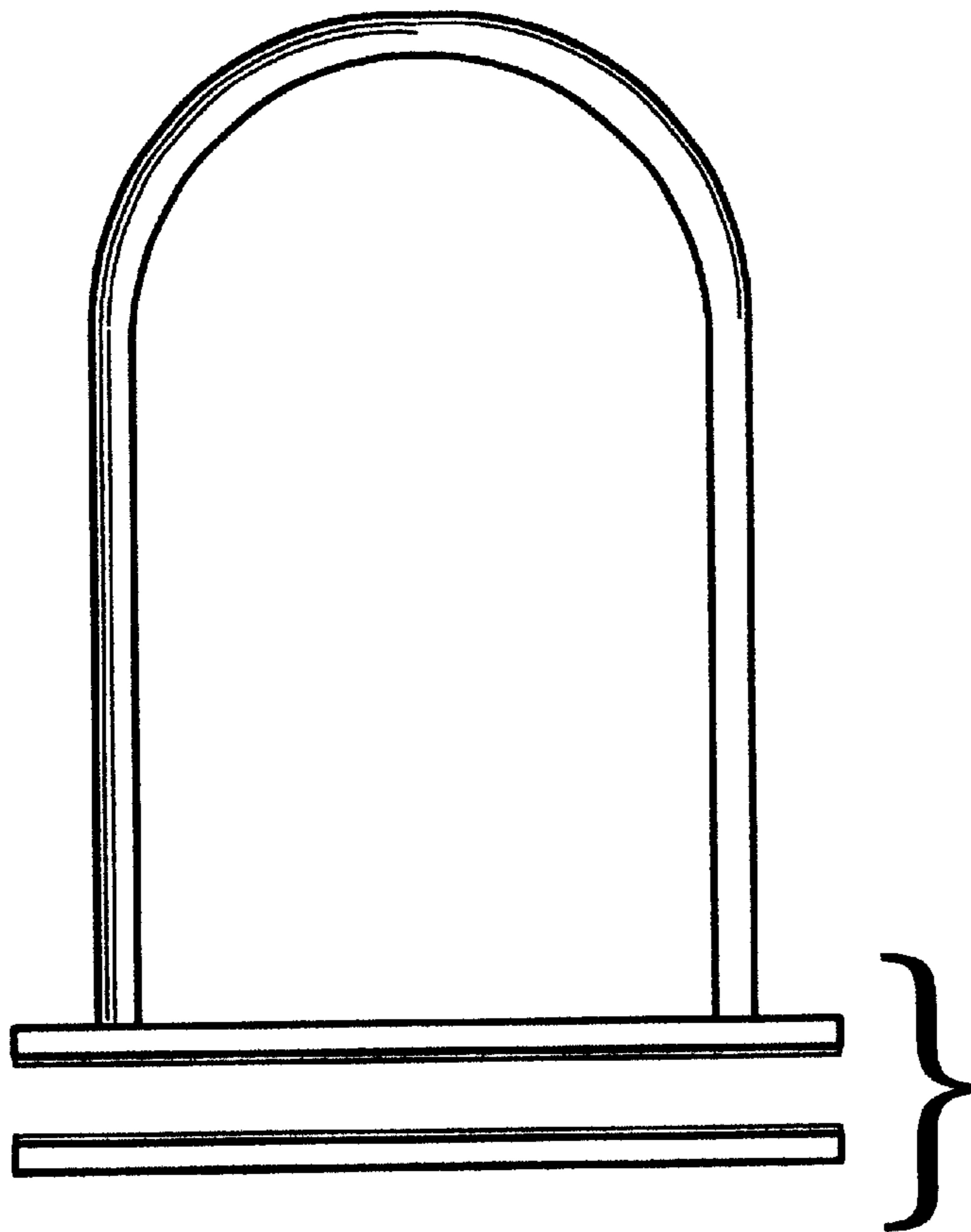


FIG. 4

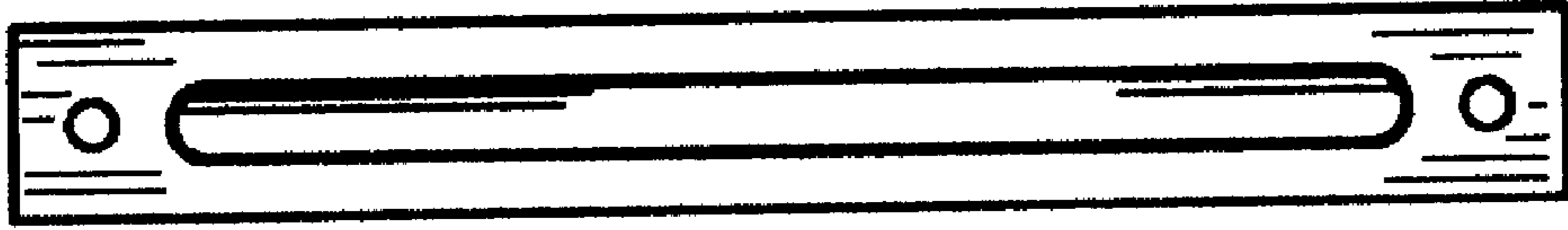


FIG. 5



FIG. 6