



US00D470094S

(12) **United States Design Patent**
van Hooydonk

(10) **Patent No.:** **US D470,094 S**

(45) **Date of Patent:** **** Feb. 11, 2003**

(54) **FRONT FACE OF A VEHICLE WHEEL**

(75) **Inventor:** **Adrian van Hooydonk, Malibu, CA (US)**

(73) **Assignee:** **Bayerische Motoren Werke Aktiengesellschaft, Munich (DE)**

(**) **Term:** **14 Years**

(21) **Appl. No.:** **29/141,930**

(22) **Filed:** **May 16, 2001**

(30) **Foreign Application Priority Data**

Nov. 16, 2000 (DE) 4 00 10 998

(51) **LOC (7) Cl.** **12-16**

(52) **U.S. Cl.** **D12/211**

(58) **Field of Search** D12/204-211;
301/37.101, 64.101, 65

(56) **References Cited**

U.S. PATENT DOCUMENTS

D402,951 S * 12/1998 Wechner D12/211

D410,426 S	*	6/1999	Frizzi	D12/211
D416,849 S	*	11/1999	Weidhase	D12/211
D422,258 S	*	4/2000	Hale, Jr.	D12/211
D438,503 S	*	3/2001	Syring	D12/211
D445,082 S	*	7/2001	Chung	D12/211
D451,877 S	*	12/2001	Lee	D12/211
D460,942 S	*	7/2002	Lee	D12/211

* cited by examiner

Primary Examiner—Stacia Cadmus

(74) *Attorney, Agent, or Firm*—Crowell & Moring LLP

(57) **CLAIM**

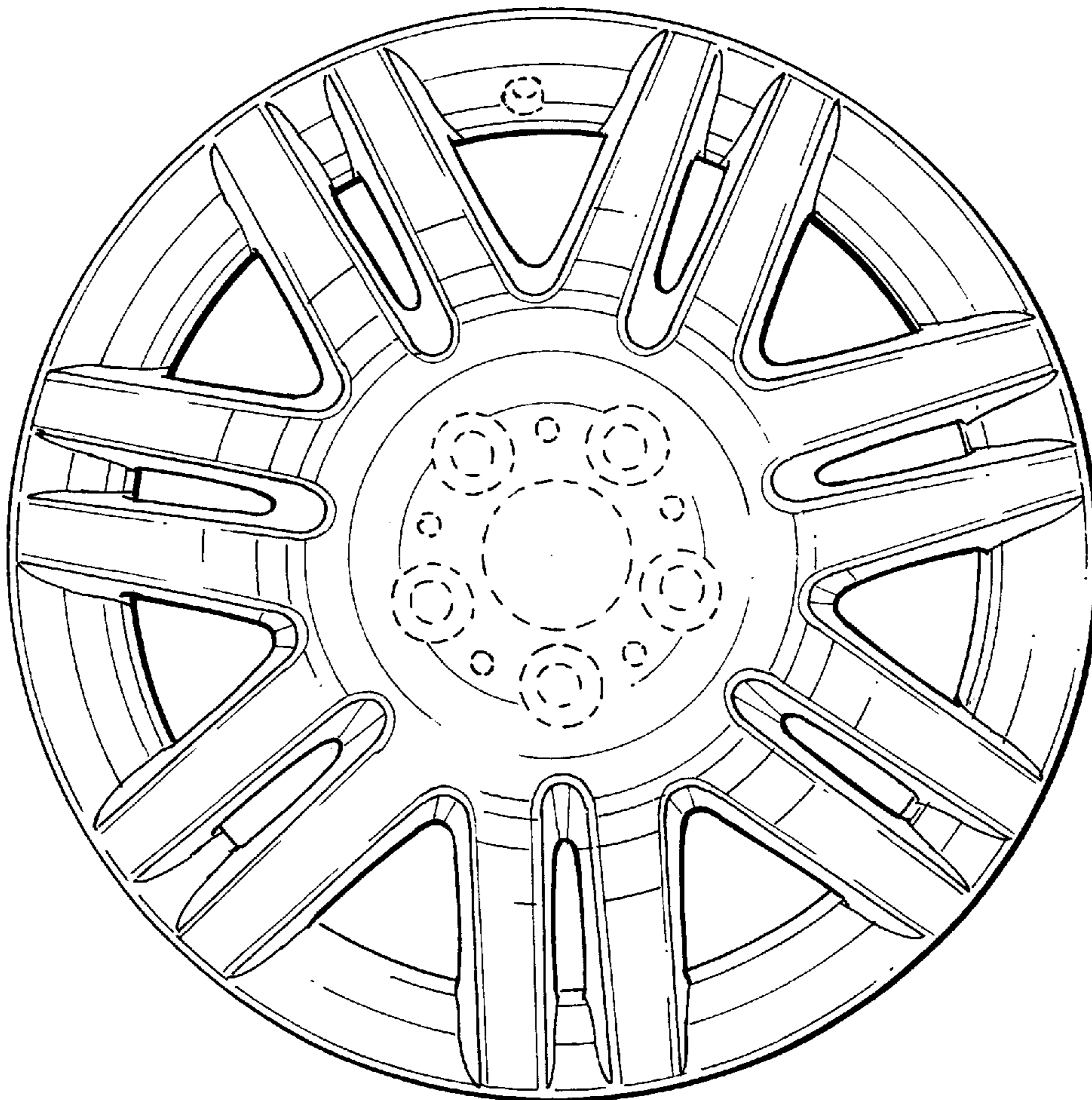
The ornamental design for a front face of a vehicle wheel, as shown and described.

DESCRIPTION

FIG. 1 is a front view of a front face of a vehicle wheel according to my novel design; and, FIG. 2 is a perspective view of the front face of a vehicle wheel according to my novel design.

The dash lines included depict environment and are not part of the claimed design.

1 Claim, 1 Drawing Sheet



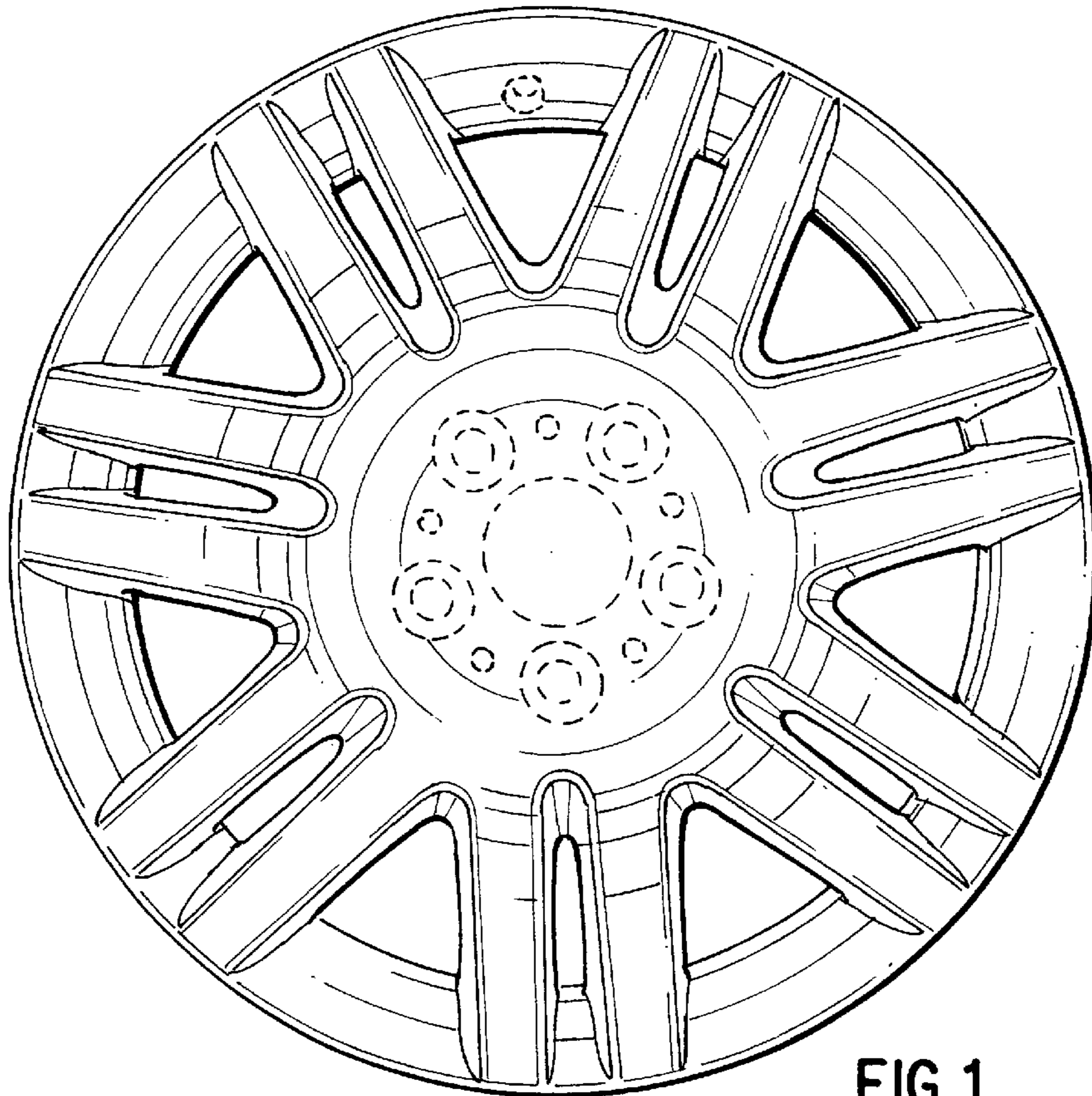


FIG. 1

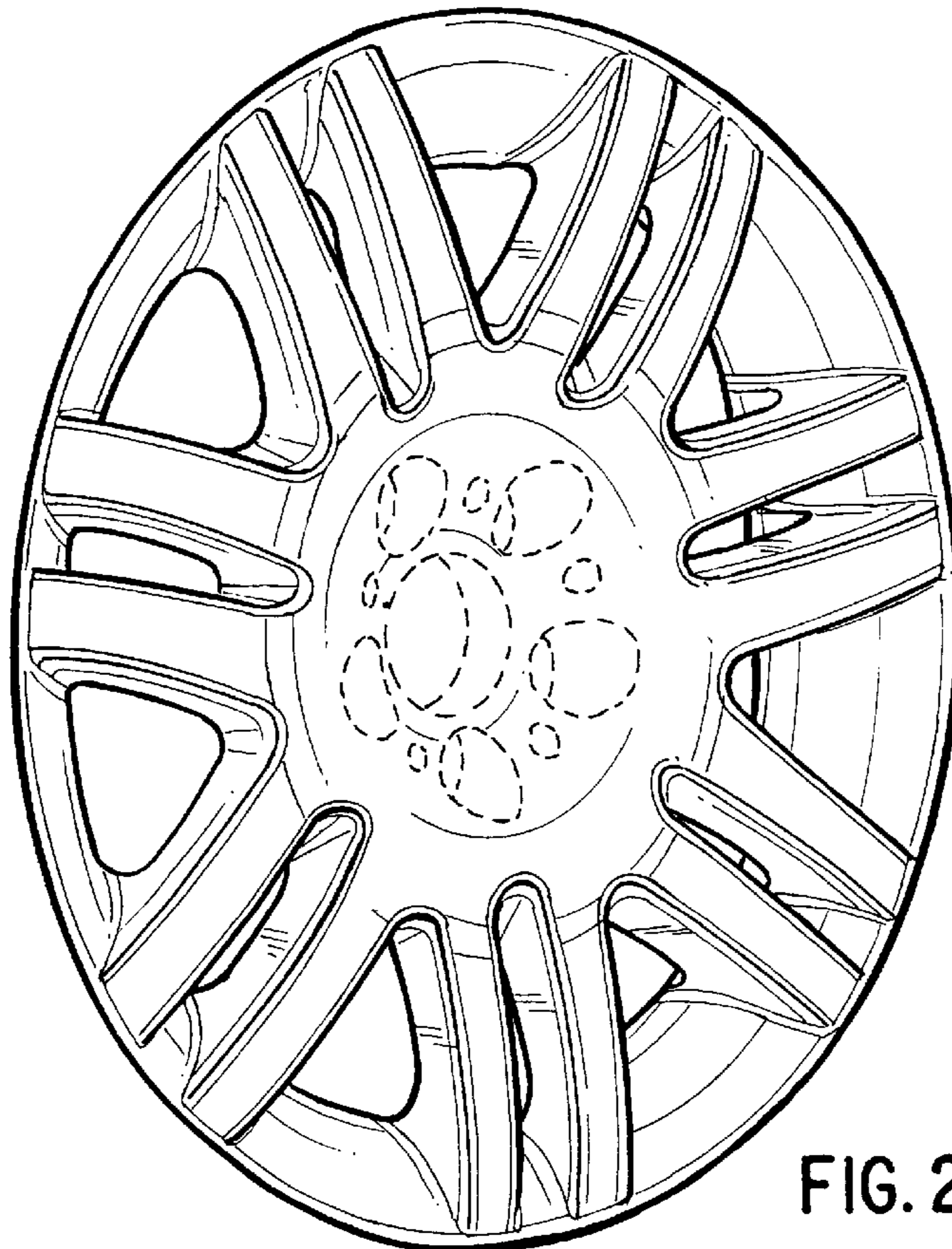


FIG. 2