



US00D470093S

(12) **United States Design Patent**
Frizzi

(10) **Patent No.:** **US D470,093 S**

(45) **Date of Patent:** **** Feb. 11, 2003**

(54) **FRONT FACE OF A VEHICLE WHEEL**

(75) **Inventor:** **Roberto Frizzi, Brescia (IT)**

(73) **Assignee:** **Bayerische Motoren Werke
Aktiengesellschaft, Munich (DE)**

(**) **Term:** **14 Years**

(21) **Appl. No.:** **29/141,903**

(22) **Filed:** **May 16, 2001**

(30) **Foreign Application Priority Data**

Nov. 16, 2000 (DE) 4 00 10 998

(51) **LOC (7) Cl.** **12-16**

(52) **U.S. Cl.** **D12/209**

(58) **Field of Search** D12/204-211;
301/37.101, 64.101, 65

(56) **References Cited**

U.S. PATENT DOCUMENTS

- D214,620 S * 7/1969 Barris D12/211
- D231,349 S * 4/1974 Gaffney D12/211
- D302,264 S * 7/1989 Soederberg D12/209
- D375,073 S * 10/1996 Theiss D12/209
- D383,429 S * 9/1997 Muzzarelli et al. D12/211
- D395,863 S * 7/1998 Sacco et al. D12/211
- D401,205 S * 11/1998 Fischer D12/209

- D407,057 S * 3/1999 Goplen D12/211
- D412,149 S * 7/1999 Corioni D12/211
- D412,479 S * 8/1999 Sacco et al. D12/209
- D419,940 S * 2/2000 Sacco et al. D12/209
- D428,845 S * 9/2000 Yoshida et al. D12/211
- D430,523 S * 9/2000 Pfeiffer D12/209
- D432,479 S * 10/2000 Lee et al. D12/209
- D436,912 S * 1/2001 Boyer D12/211
- D451,458 S * 12/2001 Sacco et al. D12/209
- D451,466 S * 12/2001 Fujii D12/211
- D460,941 S * 7/2002 Muzzarelli D12/211

* cited by examiner

Primary Examiner—Stacia Cadmus

(74) *Attorney, Agent, or Firm*—Crowell & Moring LLP

(57) **CLAIM**

The ornamental design for a front face of a vehicle wheel, as shown and described.

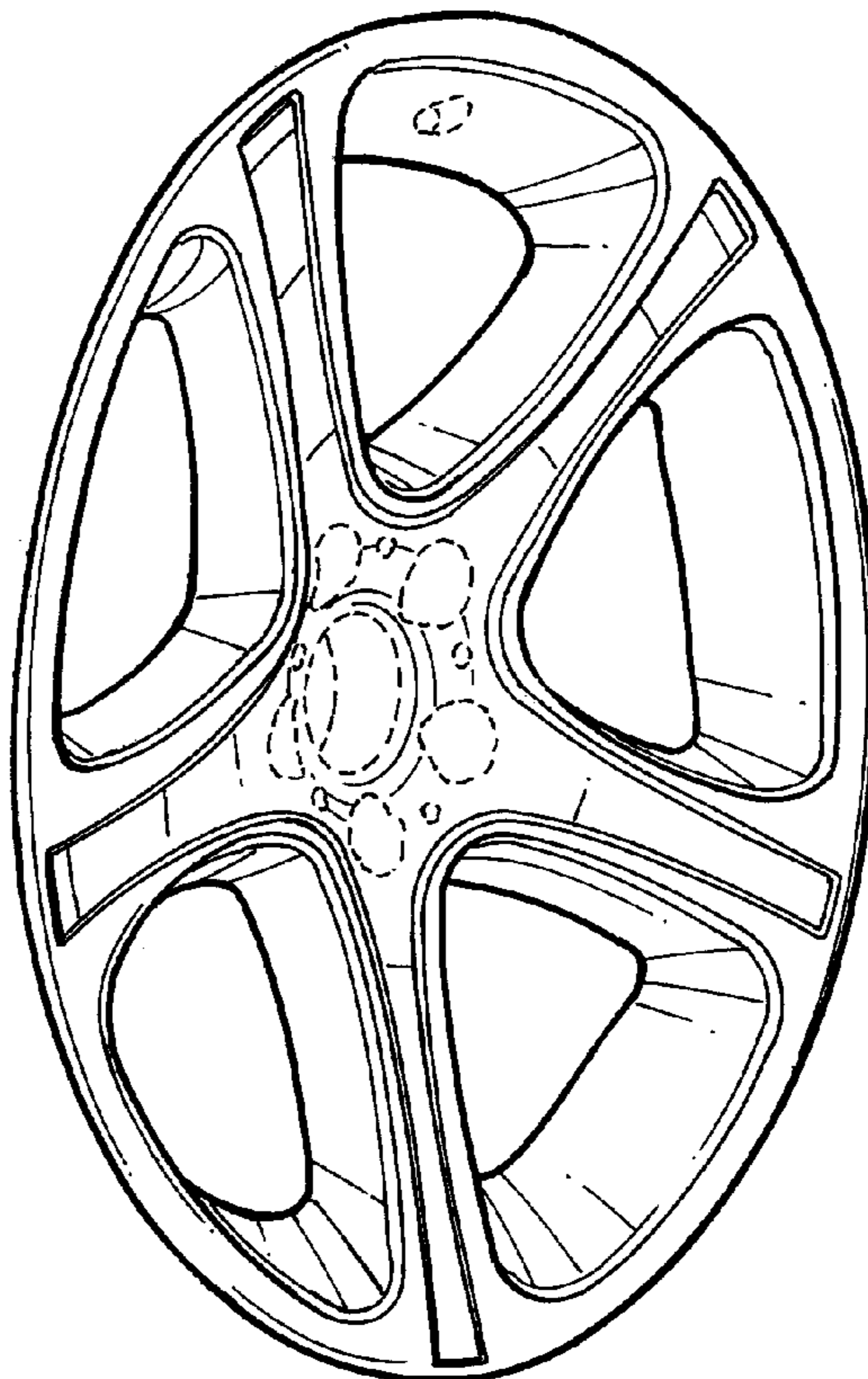
DESCRIPTION

FIG. 1 is a front view of a front face of a vehicle wheel according to my novel design; and,

FIG. 2 is a perspective view of the front face of a vehicle wheel according to my novel design.

The dash lines included depict environment and are not part of the claimed design.

1 Claim, 1 Drawing Sheet



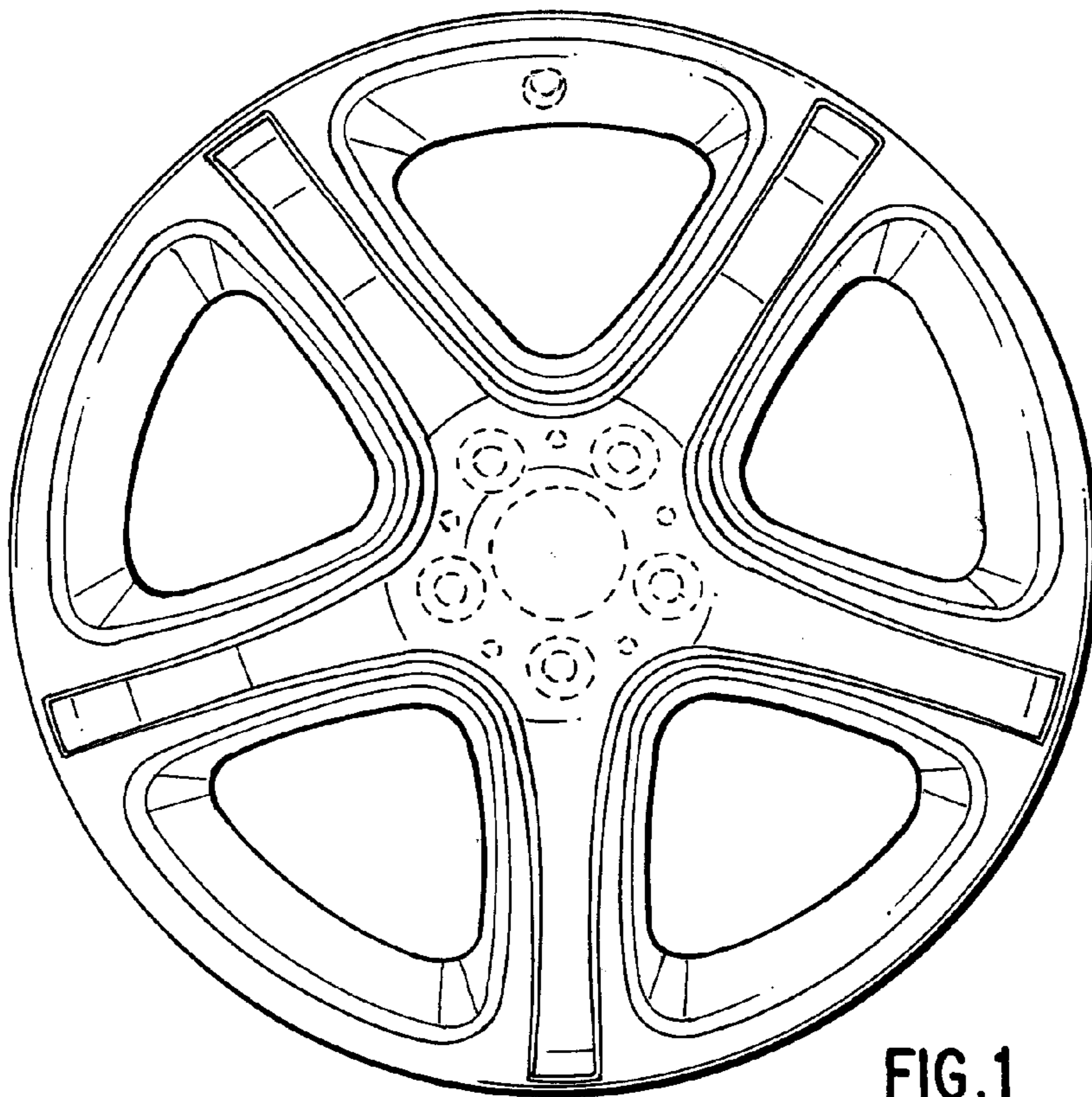


FIG. 1

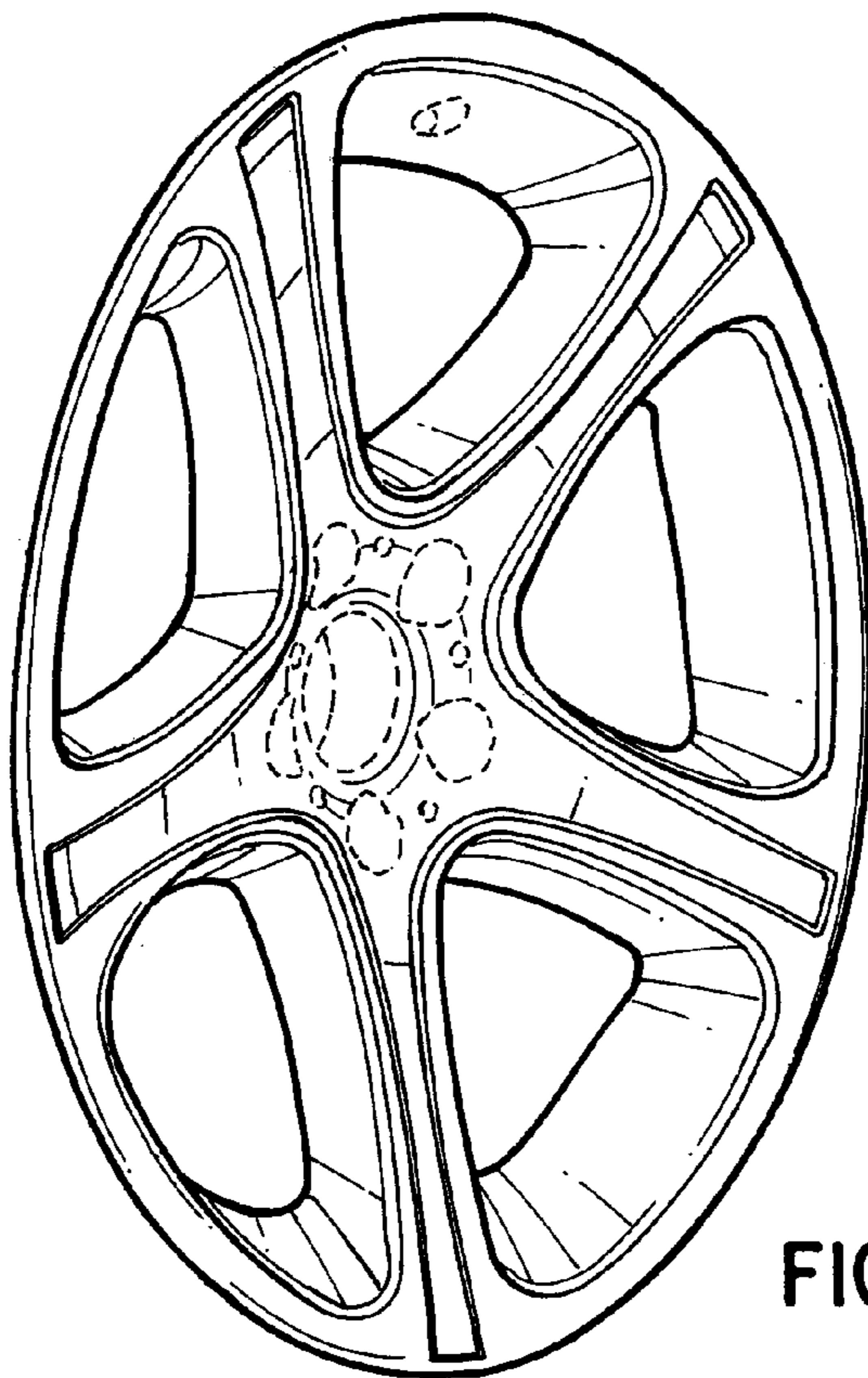


FIG. 2