



US00D470090S

(12) **United States Design Patent**  
**Sawabe**

(10) **Patent No.:** **US D470,090 S**

(45) **Date of Patent:** **\*\* Feb. 11, 2003**

(54) **SPEED METER FOR A MOTORCYCLE**

D276,715 S \* 12/1984 Morioka et al. .... D12/192  
4,796,716 A \* 1/1989 Masuda ..... 180/176

(75) Inventor: **Akihiro Sawabe, Wako (JP)**

\* cited by examiner

(73) Assignee: **Honda Giken Kogyo Kabushiki Kaisha, Tokyo (JP)**

*Primary Examiner*—Alan P. Douglas

*Assistant Examiner*—Linda Brooks

(\*\*) Term: **14 Years**

(74) *Attorney, Agent, or Firm*—Birch, Stewart, Kolasch & Birch, LLP

(21) Appl. No.: **29/137,888**

(57) **CLAIM**

(22) Filed: **Mar. 2, 2001**

The ornamental design for a speed meter for a motorcycle, as shown and described.

(30) **Foreign Application Priority Data**

Sep. 4, 2000 (JP) ..... 2000-024633

**DESCRIPTION**

(51) **LOC (7) Cl.** ..... **12-16**

FIG. 1 is a front elevational view of a speed meter for a motorcycle showing my new design;

(52) **U.S. Cl.** ..... **D12/192**

FIG. 2 is a left side perspective view thereof;

(58) **Field of Search** ..... D12/110, 114,  
D12/192; D10/98, 102, 122-126; 180/90,  
219, 176; 280/281.1, 288.1-288.4; 73/431,  
432, 489, 493, 495, 866.3; 116/62.1, 62.4,  
280, 300; 296/70; 235/95 R

FIG. 3 is a right side perspective view thereof;

FIG. 4 is rear elevational view which does not set forth an ornamental design;

FIG. 5 is a top plan view thereof;

FIG. 6 is a bottom plan view thereof; and,

FIG. 7 is a right side elevational view thereof with the environment of the invention set forth in broken lines.

Features shown in broken lines depict the environment and do not form a part of the claimed design.

(56) **References Cited**

**U.S. PATENT DOCUMENTS**

D241,332 S \* 9/1976 Gordon ..... D12/192

D261,752 S \* 11/1981 Iwakura ..... D12/114

**1 Claim, 6 Drawing Sheets**

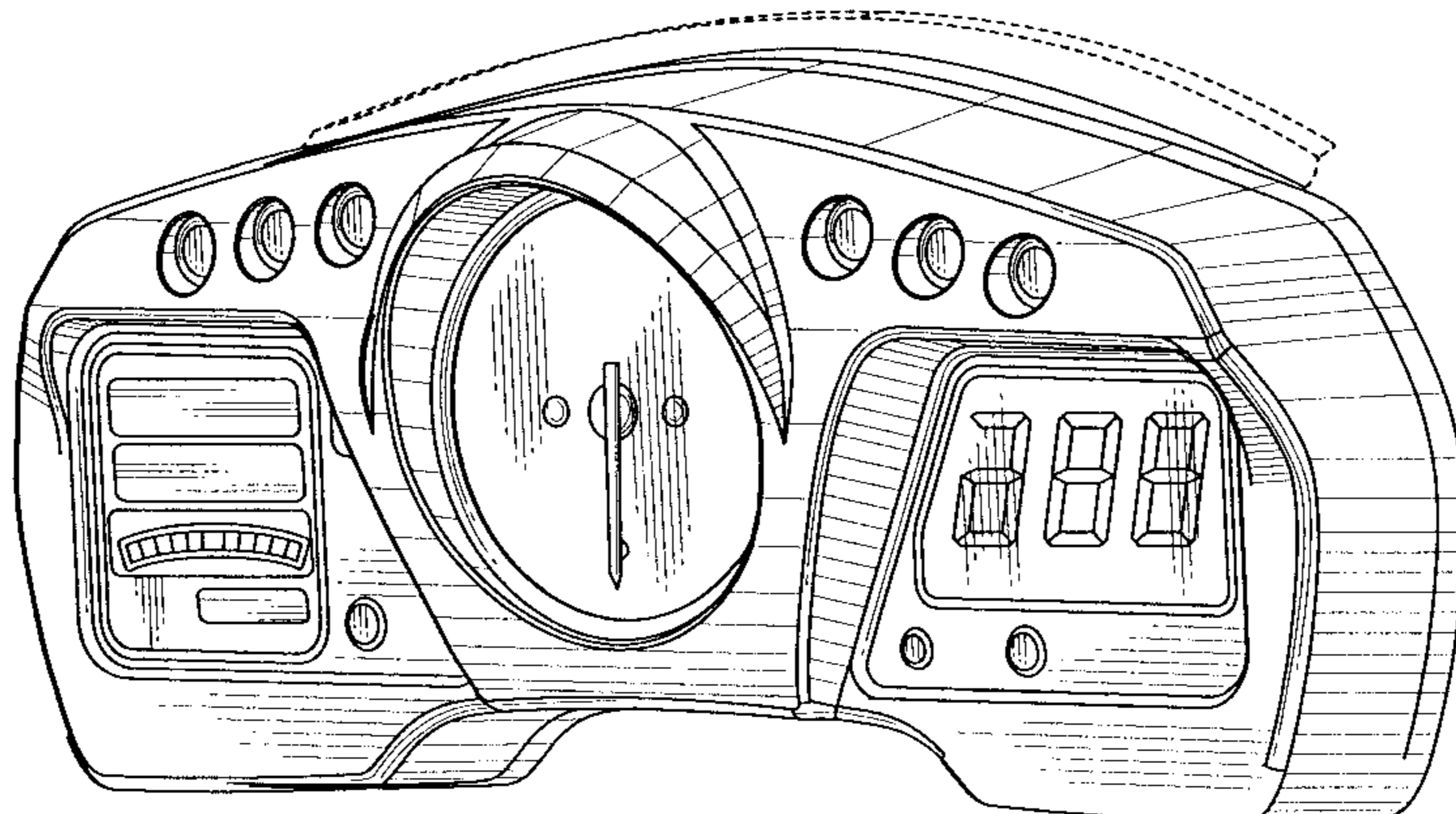
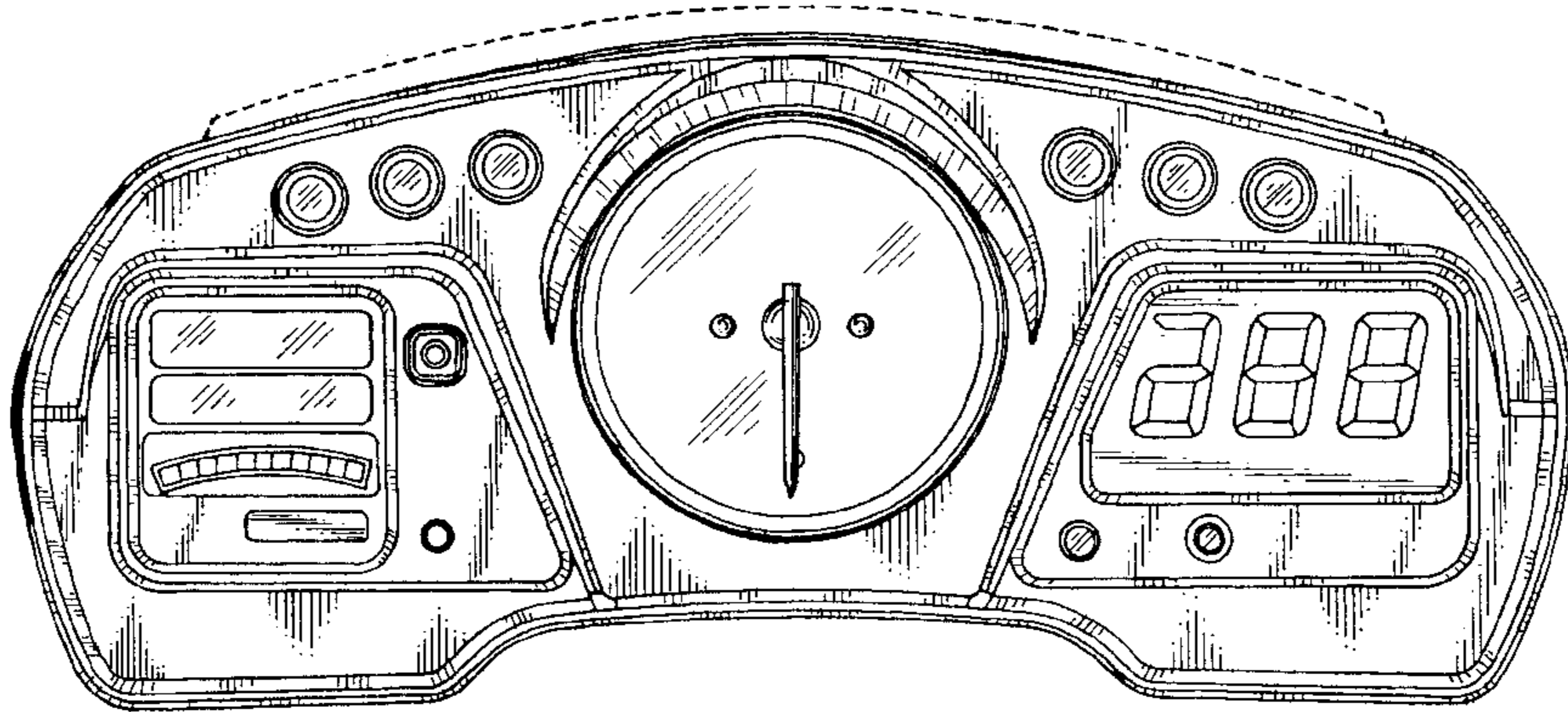


Fig. 1

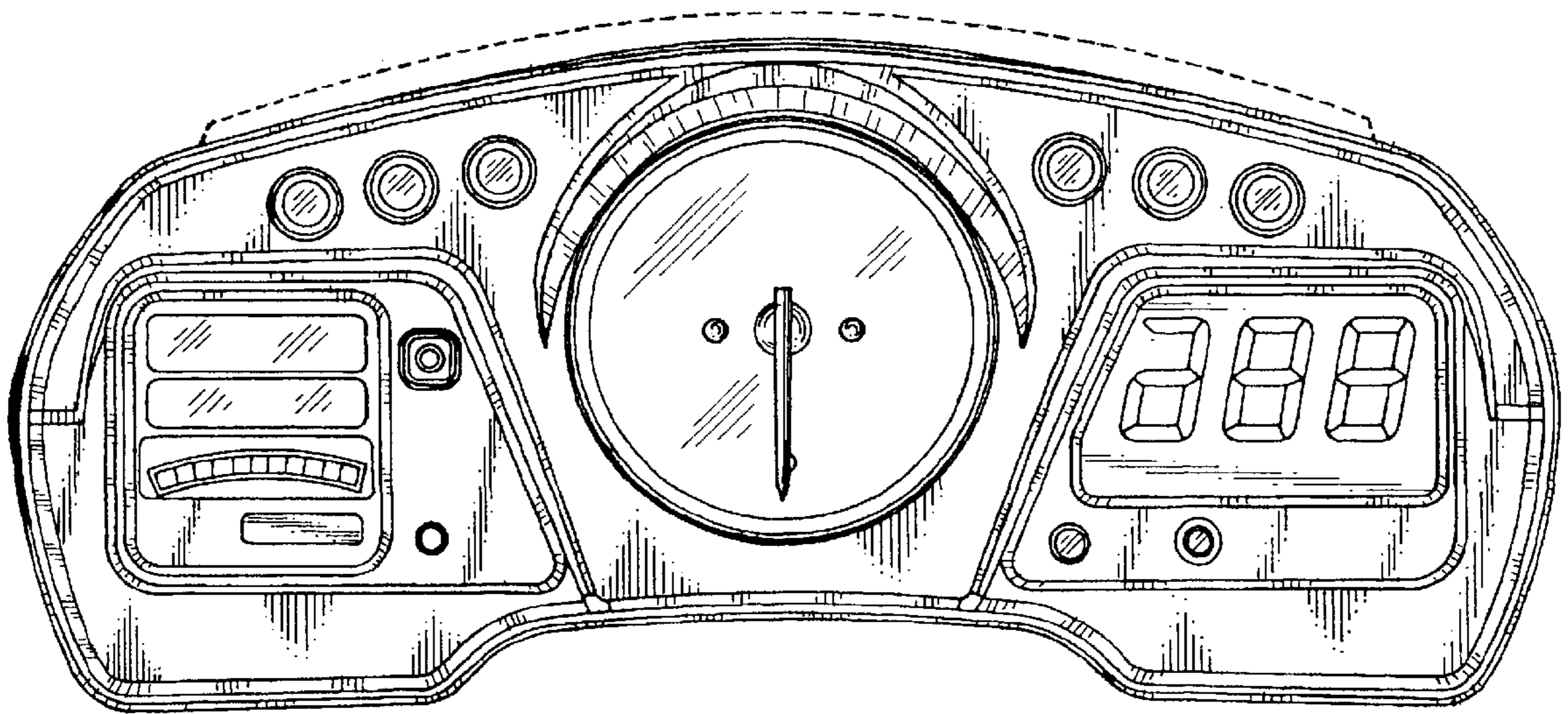


Fig.2

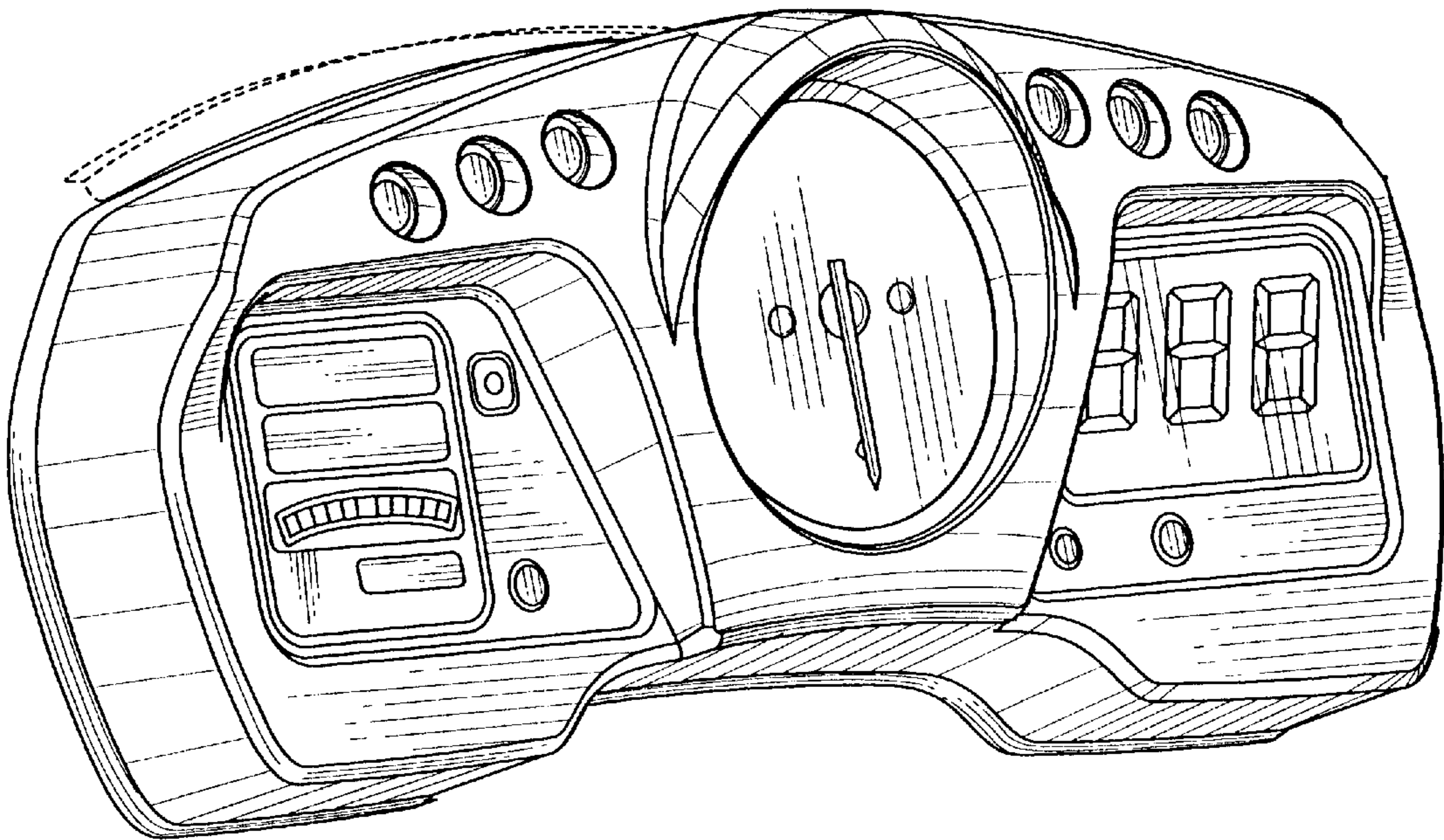


Fig.3

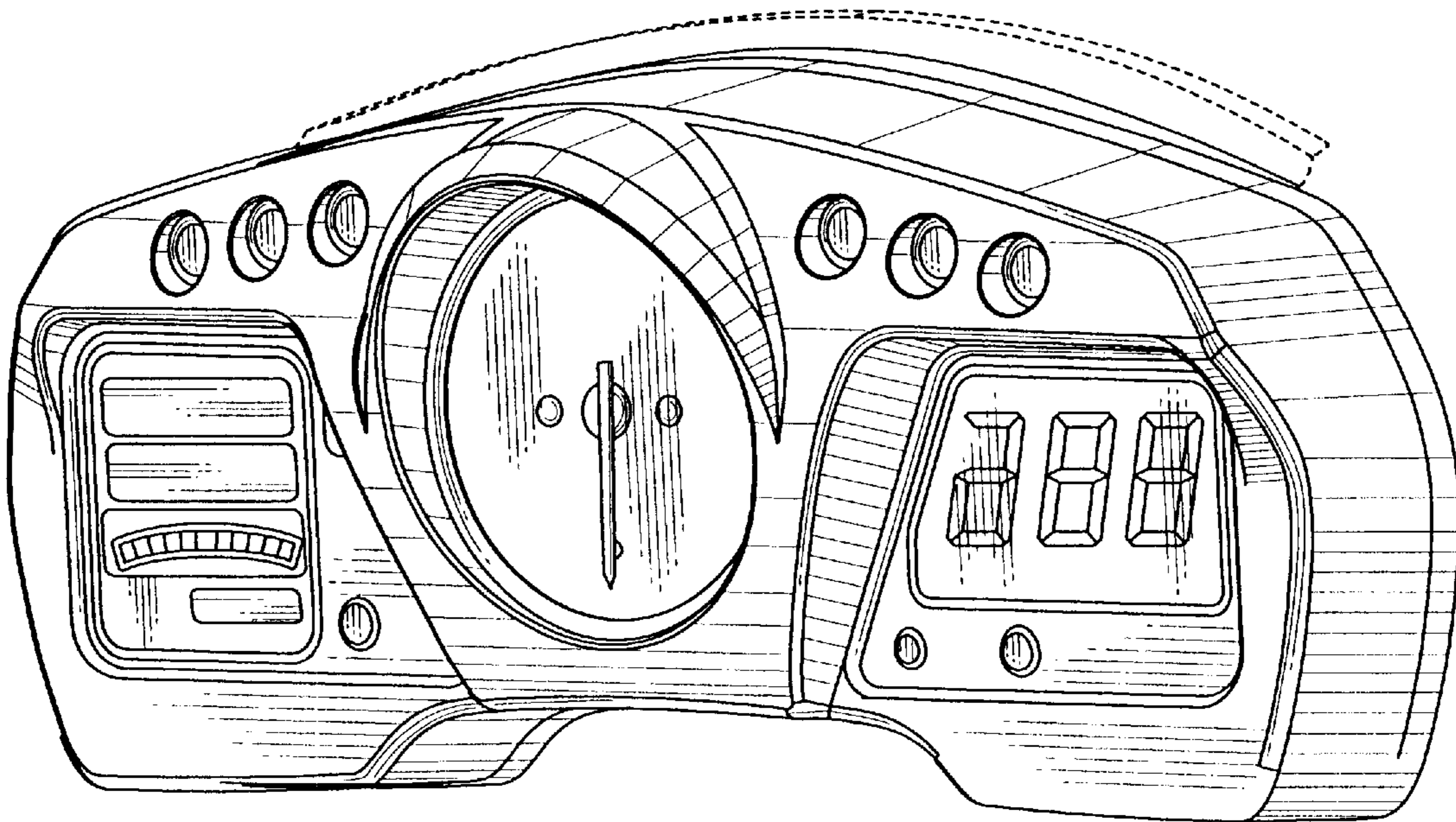


Fig.4

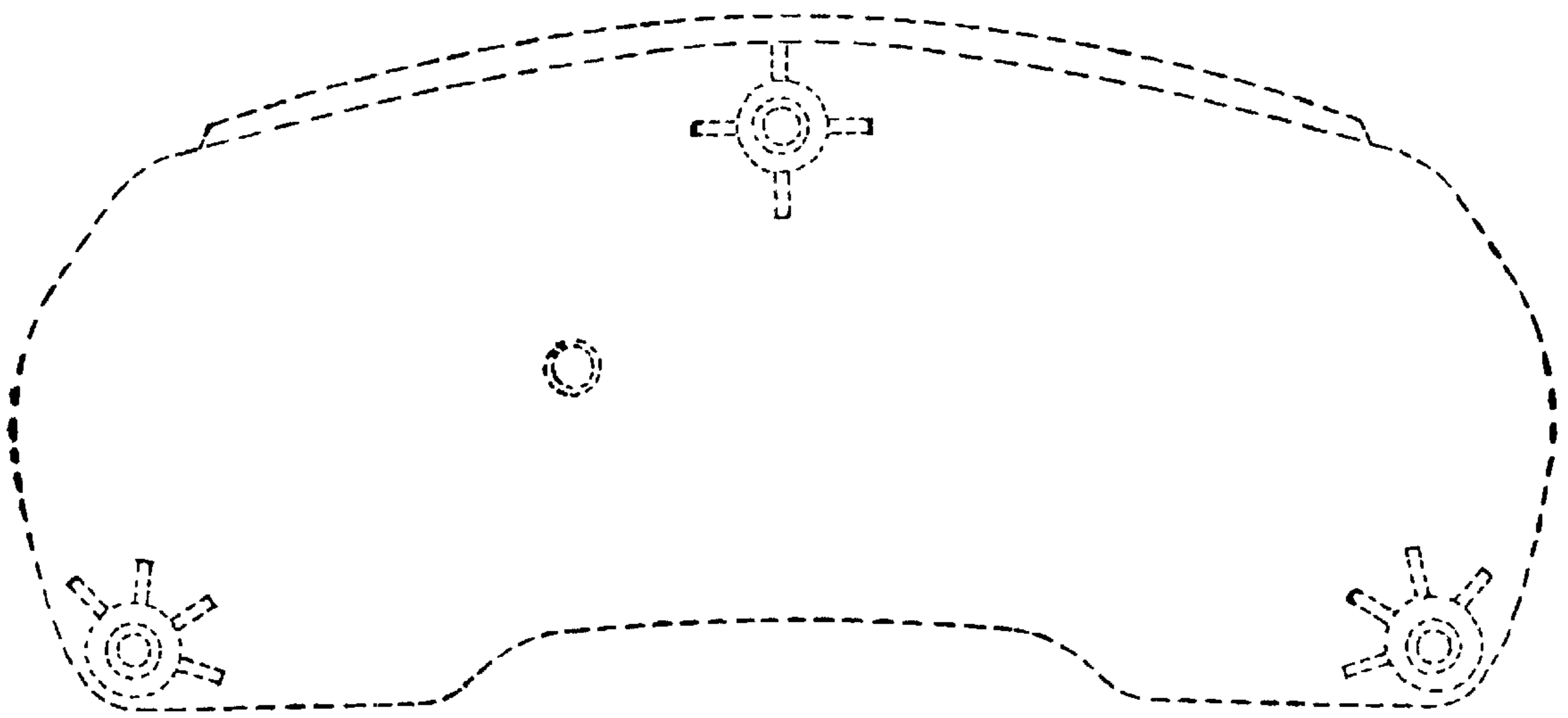


Fig.5

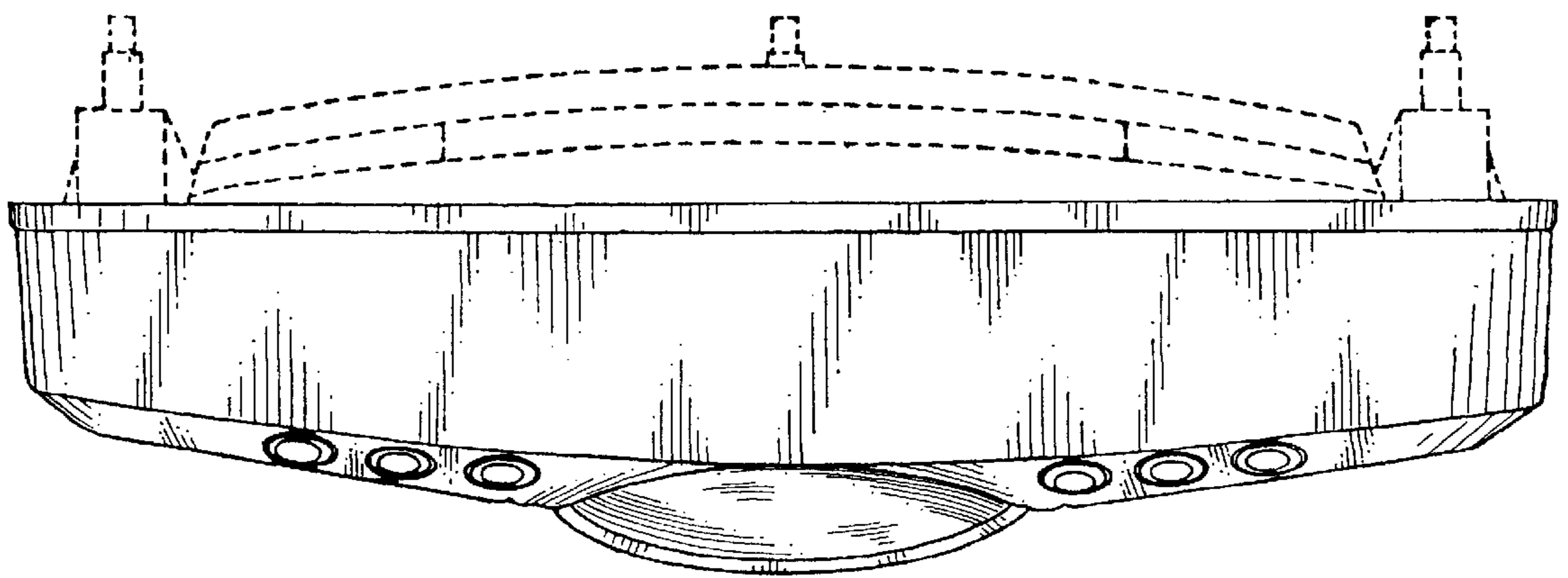
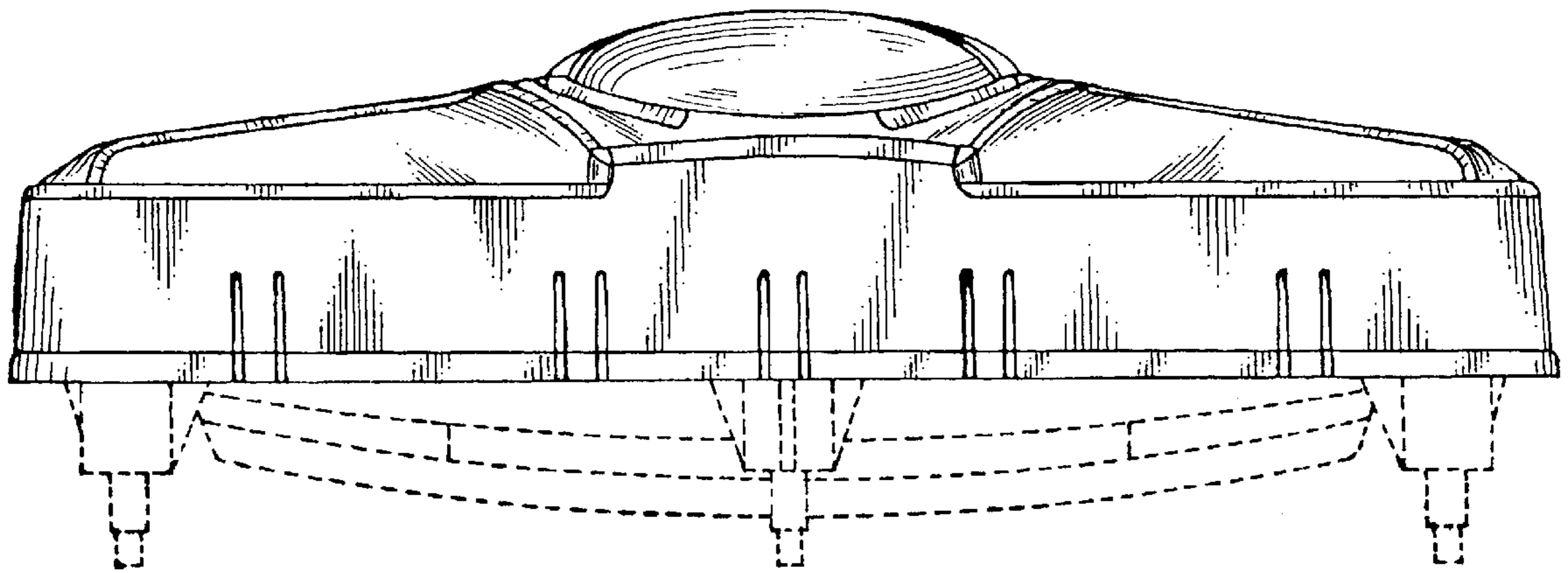


Fig.6



# Fig. 7

