



US00D470086S

(12) **United States Design Patent**
Koizumi et al.

(10) **Patent No.:** **US D470,086 S**

(45) **Date of Patent:** **** Feb. 11, 2003**

(54) **BUMPER OF MOTOR VEHICLE**

(75) Inventors: **Iwao Koizumi**, Hiroshima (JP);
Kaname Sawai, Hiroshima (JP); **Akira Tamatani**, Hiroshima (JP); **Kouichi Hayashi**, Hiroshima (JP); **Kunihiko Kurisu**, Hiroshima (JP)

(73) Assignee: **Mazda Motor Corporation**, Hiroshima-ken (JP)

(**) Term: **14 Years**

(21) Appl. No.: **29/157,819**

(22) Filed: **Mar. 27, 2002**

(30) **Foreign Application Priority Data**

Oct. 12, 2001 (JP) 2001-030107

(51) **LOC (7) Cl.** **12-16**

(52) **U.S. Cl.** **D12/169**

(58) **Field of Search** D12/169, 196,
D12/90-92; 296/185, 180.1, 180.2; 293/102,
113, 115, 117, 120

(56) **References Cited**

U.S. PATENT DOCUMENTS

D447,726 S * 9/2001 Okano D12/169

D459,280 S * 6/2002 Sinkwitz D12/169

* cited by examiner

Primary Examiner—Melody N. Brown

(74) *Attorney, Agent, or Firm*—Nixon Peabody LLP;
Donald R. Studebaker

(57) **CLAIM**

The ornamental design for a bumper of motor vehicle, as shown and described.

DESCRIPTION

FIG. 1 is a perspective view of a bumper of motor vehicle;

FIG. 2 is a front view thereof;

FIG. 3 is a rear view thereof;

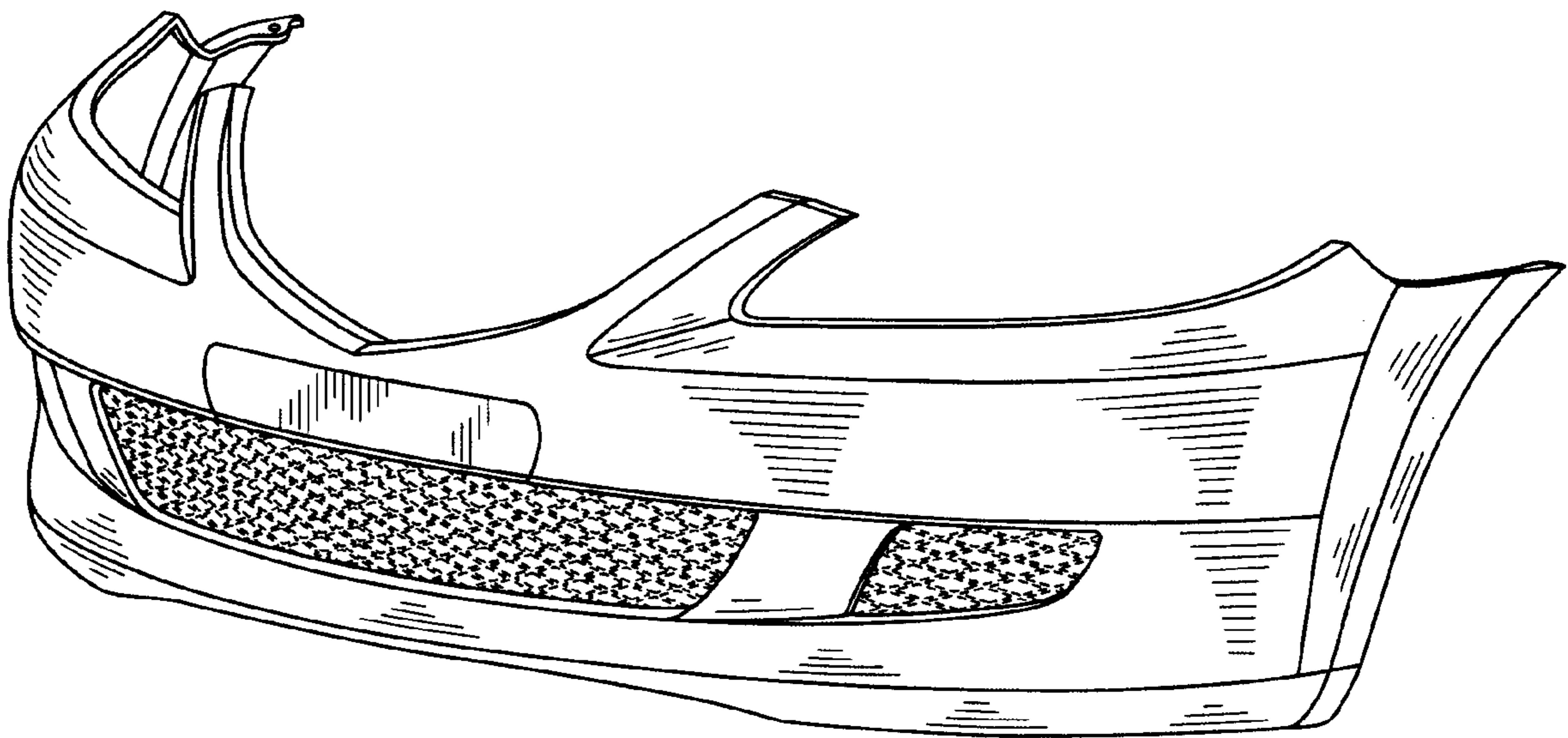
FIG. 4 is a left side view thereof;

FIG. 5 is a right side view thereof;

FIG. 6 is a top view thereof; and,

FIG. 7 is a bottom view thereof.

1 Claim, 3 Drawing Sheets



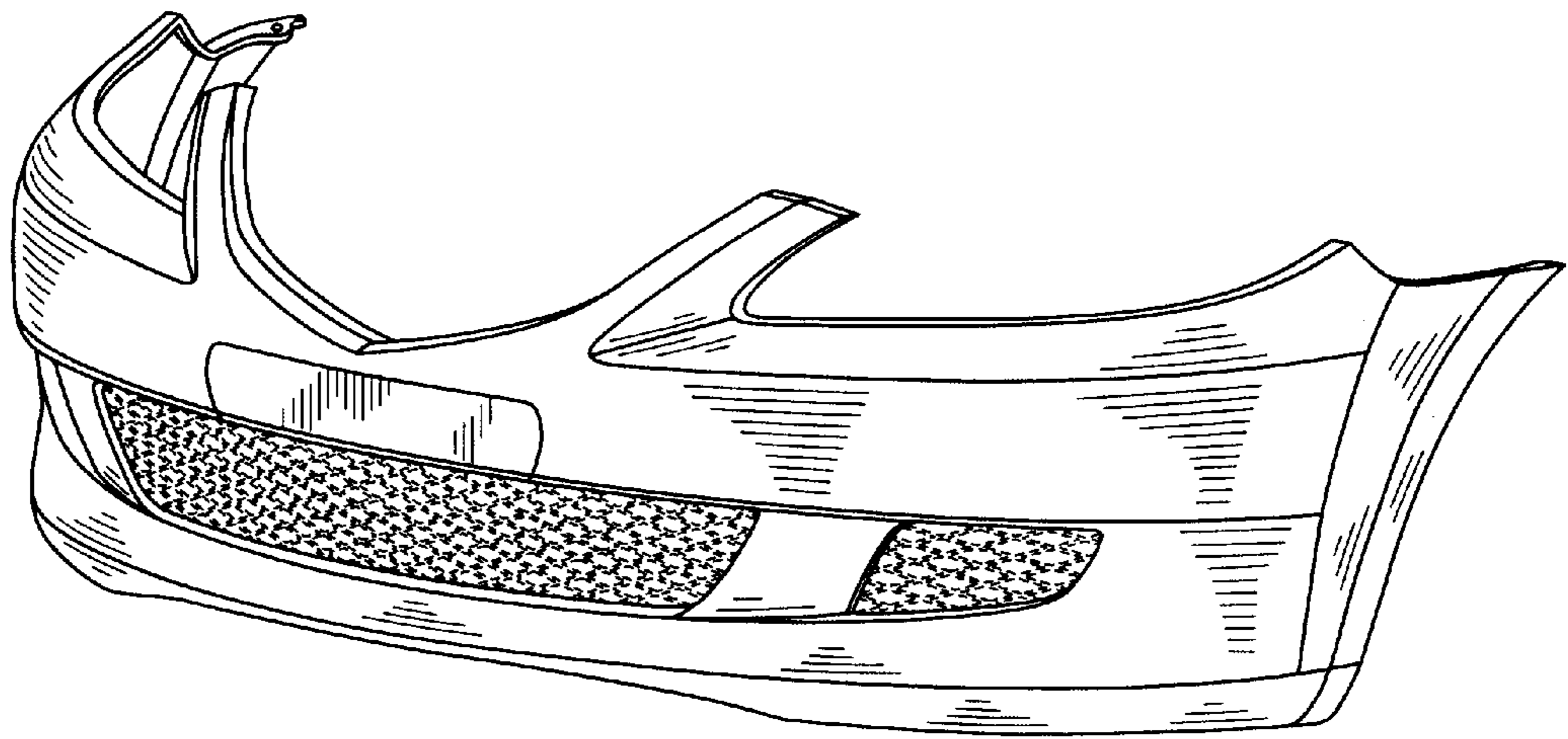


Fig. 1

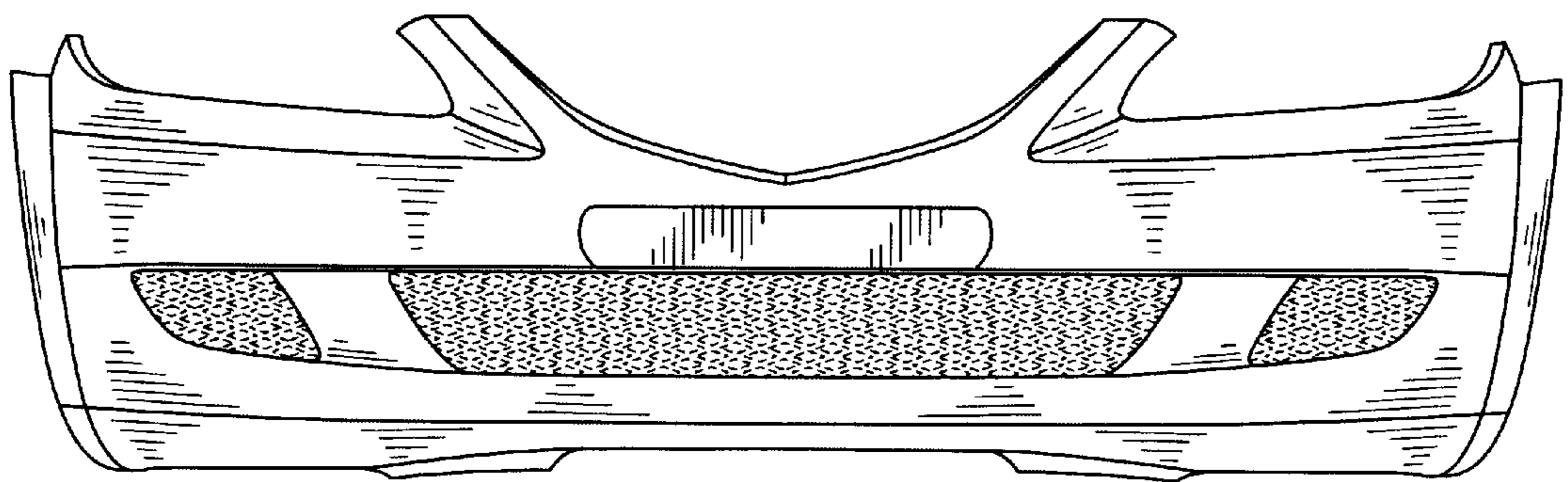


Fig. 2

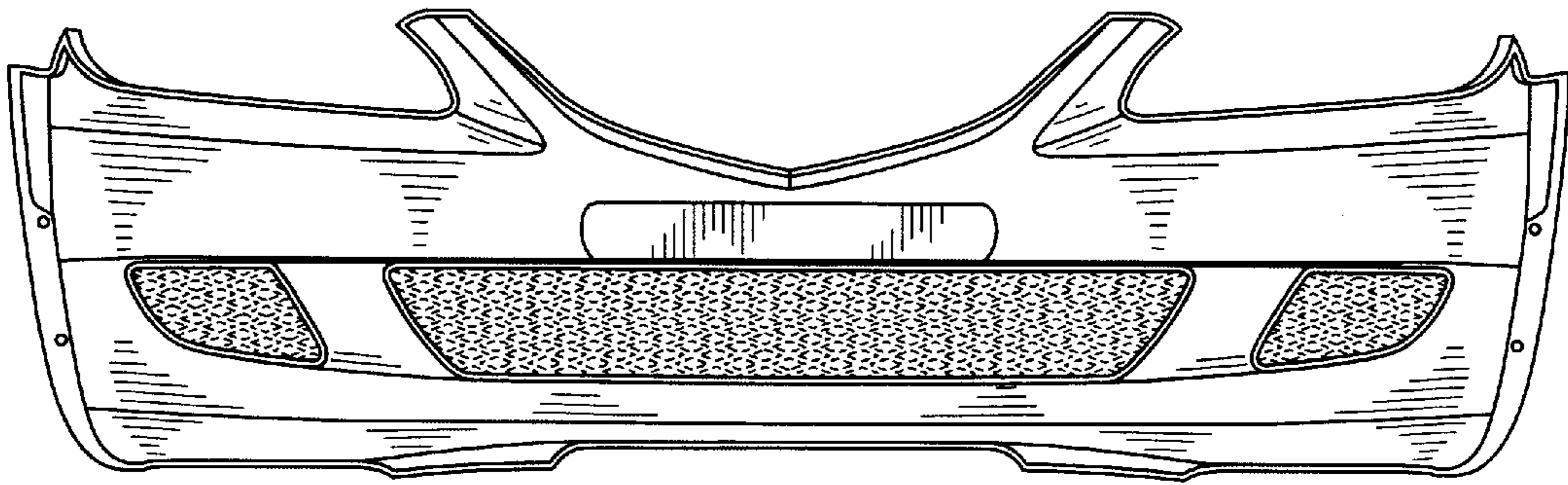


Fig. 3

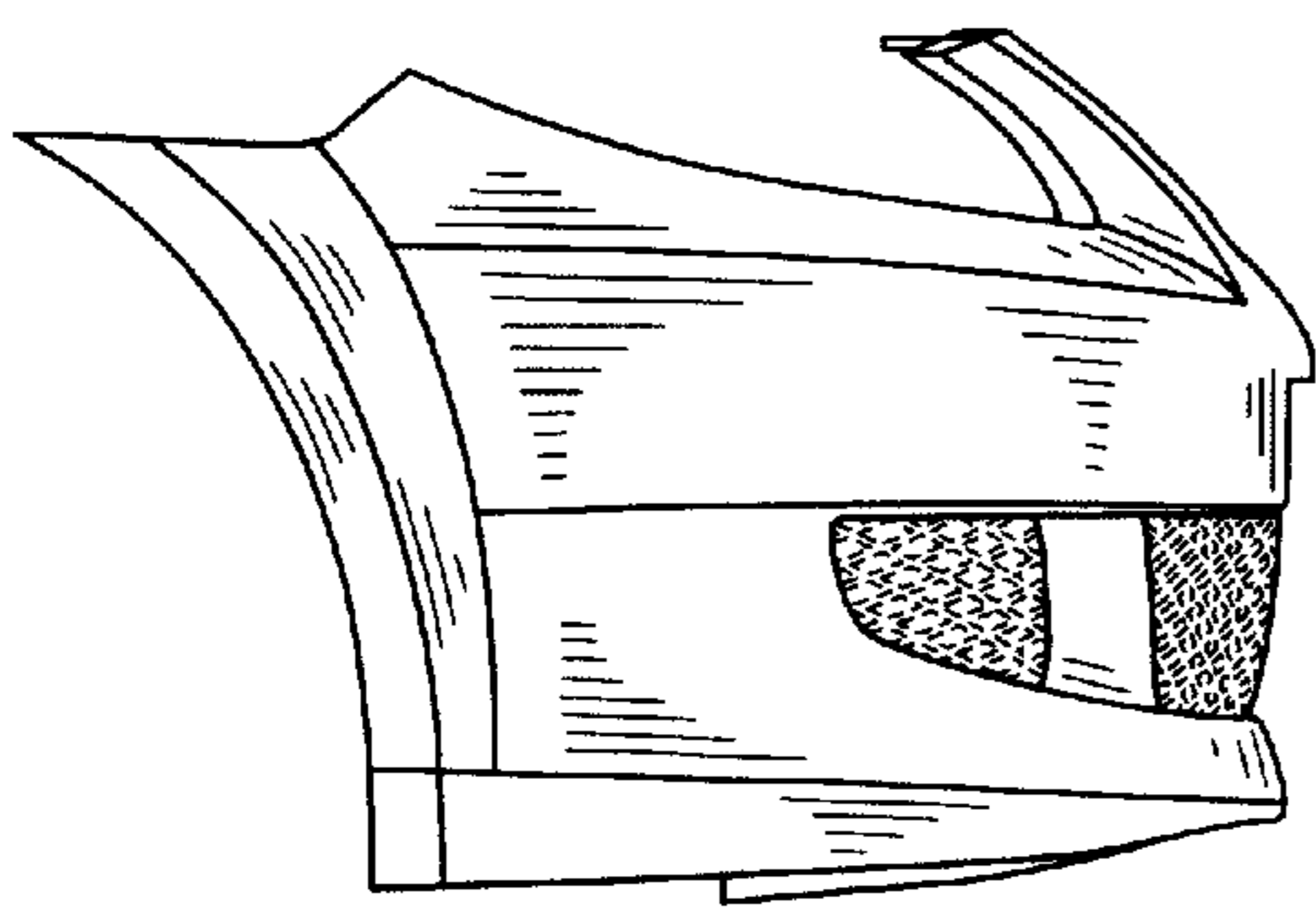


Fig. 4

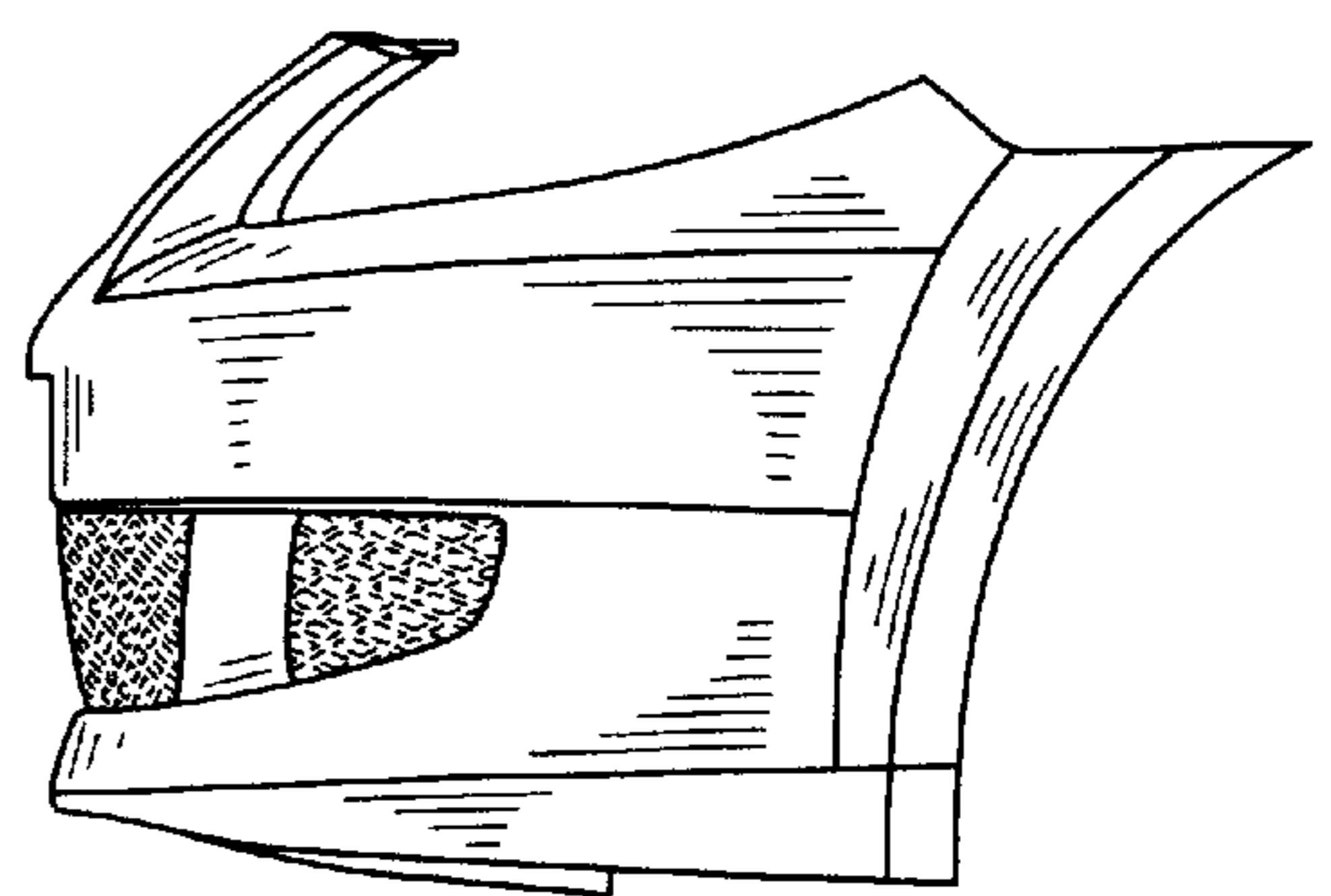


Fig. 5

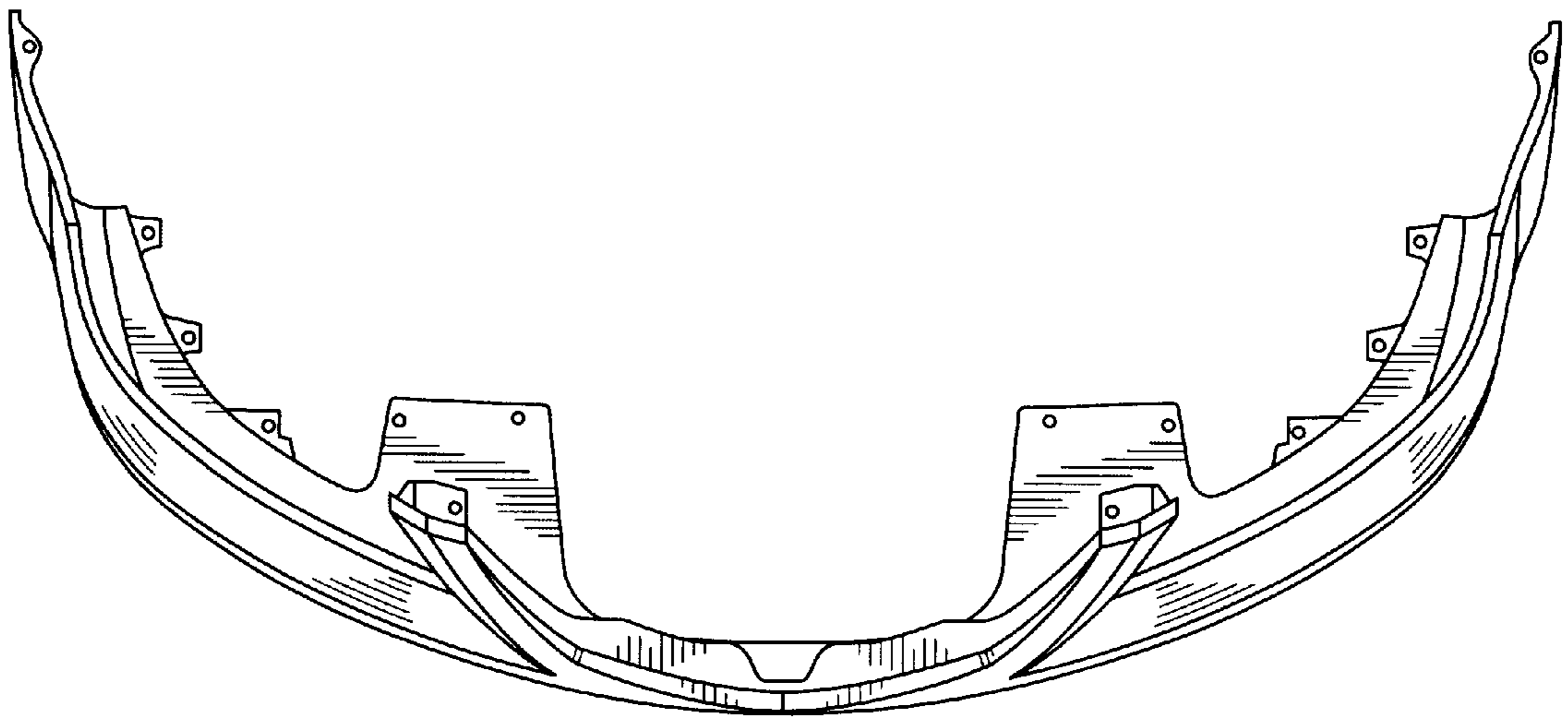


Fig. 6

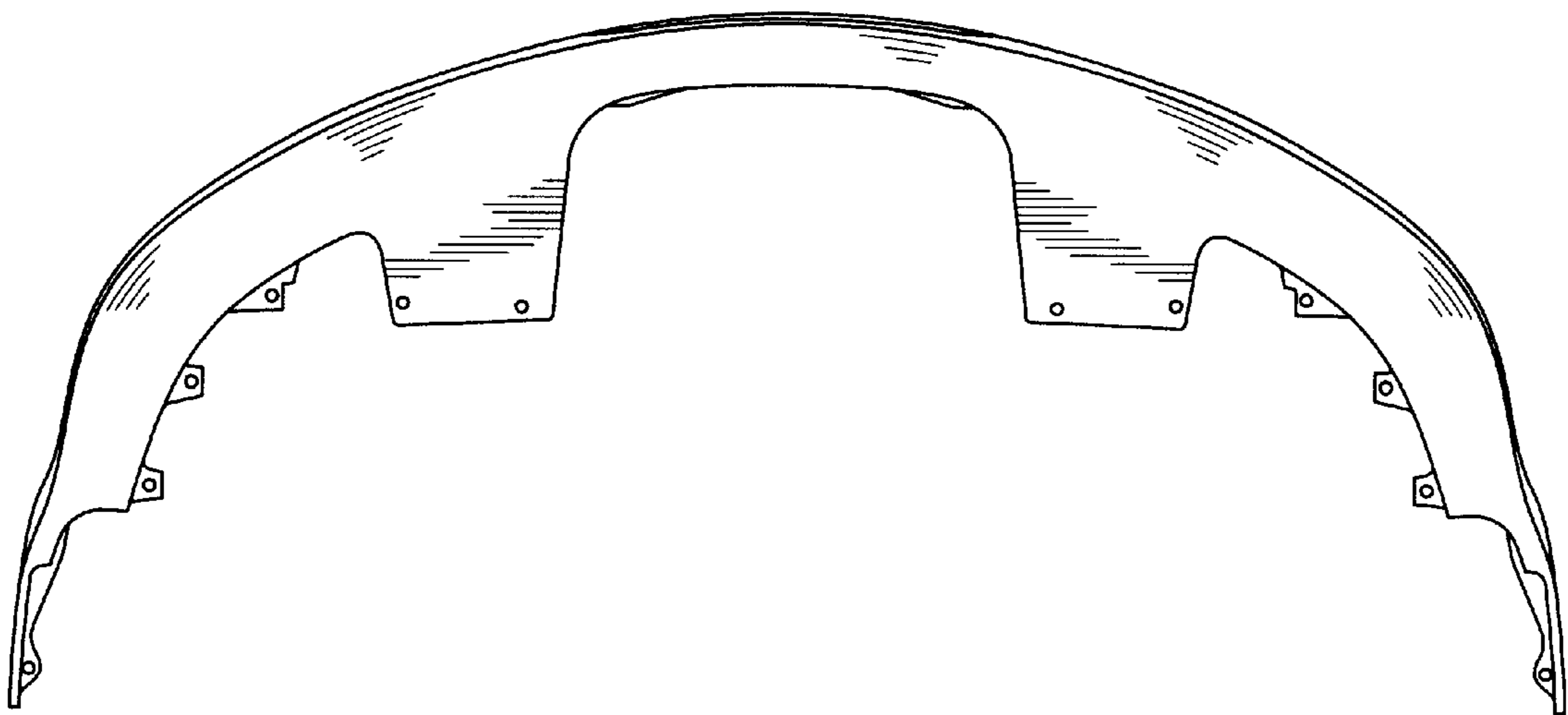


Fig. 7