



US00D470082S

(12) **United States Design Patent**  
**Wu**

(10) **Patent No.:** **US D470,082 S**

(45) **Date of Patent:** **\*\* Feb. 11, 2003**

(54) **TRICYCLE FOR CHILDREN**

(76) **Inventor:** **Jung-Jyh Wu**, Floor 7, No. 5, Lane 56,  
Jong Jeng 2nd Road, Ling Yea District,  
Kaohsiung (TW)

(\*\*) **Term:** **14 Years**

(21) **Appl. No.:** **29/154,416**

(22) **Filed:** **Jan. 25, 2002**

(51) **LOC (7) Cl.** ..... **12-11**

(52) **U.S. Cl.** ..... **D12/112**

(58) **Field of Search** ..... D12/112, 113;  
D21/432, 435; 280/259, 267, 282; 296/177

(56) **References Cited**

**U.S. PATENT DOCUMENTS**

1,964,993 A \* 7/1934 Korte ..... 280/282  
D372,690 S \* 8/1996 Nakai ..... D12/113

\* cited by examiner

*Primary Examiner*—Alan P. Douglas

*Assistant Examiner*—Linda Brooks

(74) *Attorney, Agent, or Firm*—Rosenberg, Klein & Lee

(57) **CLAIM**

The ornamental design for a tricycle for children, as shown and described.

**DESCRIPTION**

FIG. 1 is a perspective view of a tricycle for children showing my design;

FIG. 2 is a front elevational view thereof;

FIG. 3 is a rear elevational view thereof;

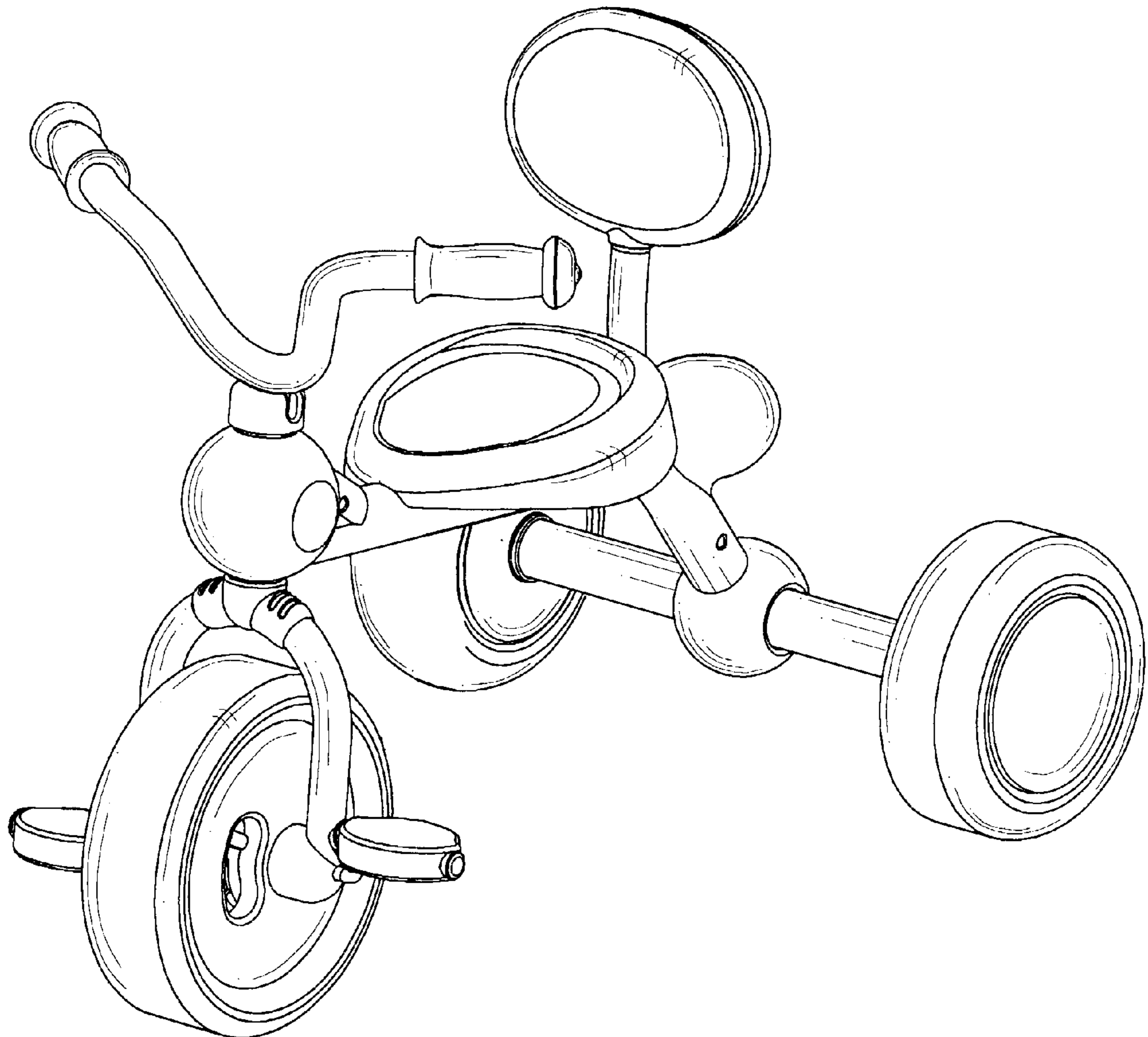
FIG. 4 is a left elevational view thereof;

FIG. 5 is a right elevational view thereof;

FIG. 6 is a top plan view thereof; and,

FIG. 7 is a bottom plan view thereof.

**1 Claim, 7 Drawing Sheets**



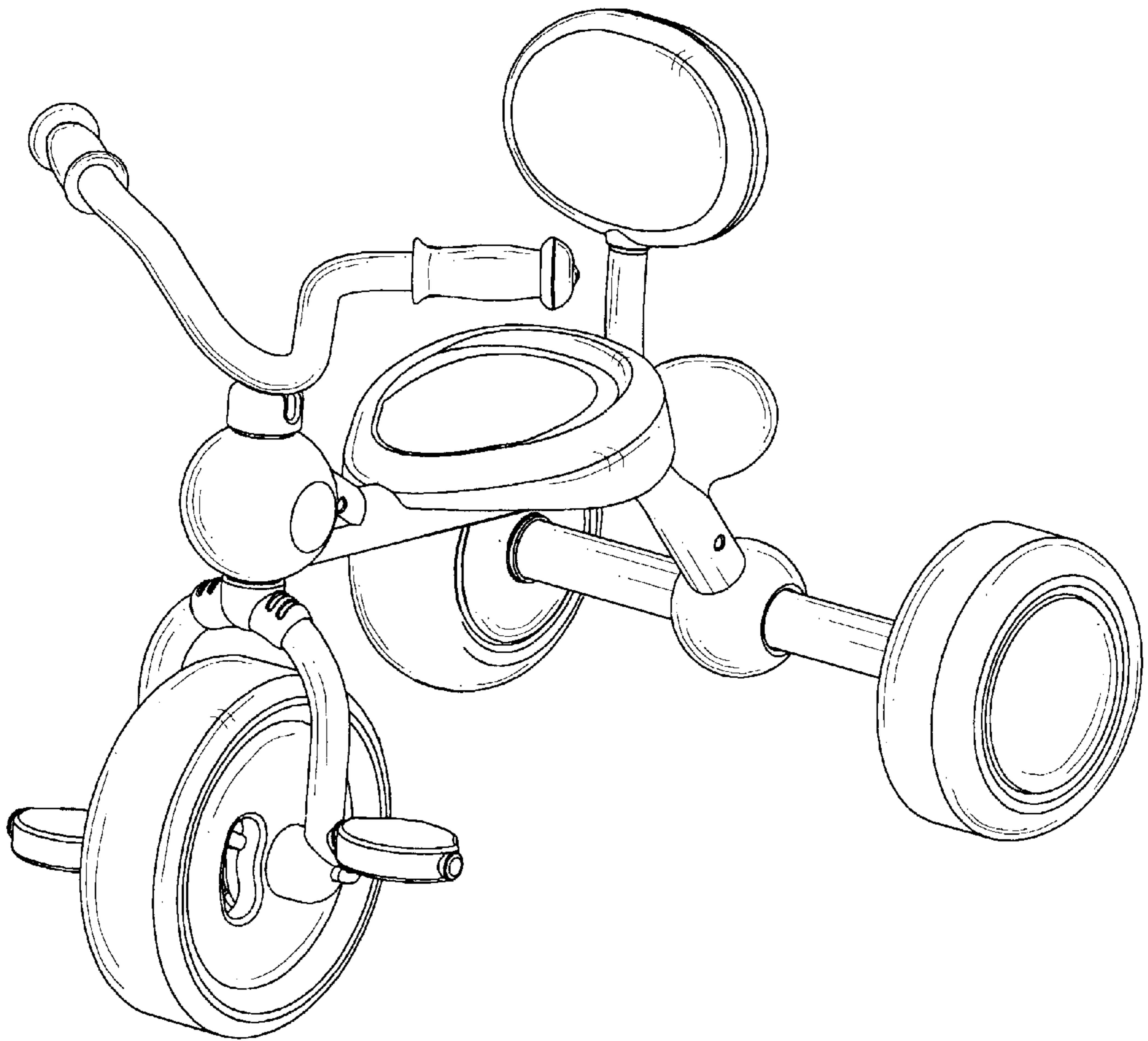


FIG . 1

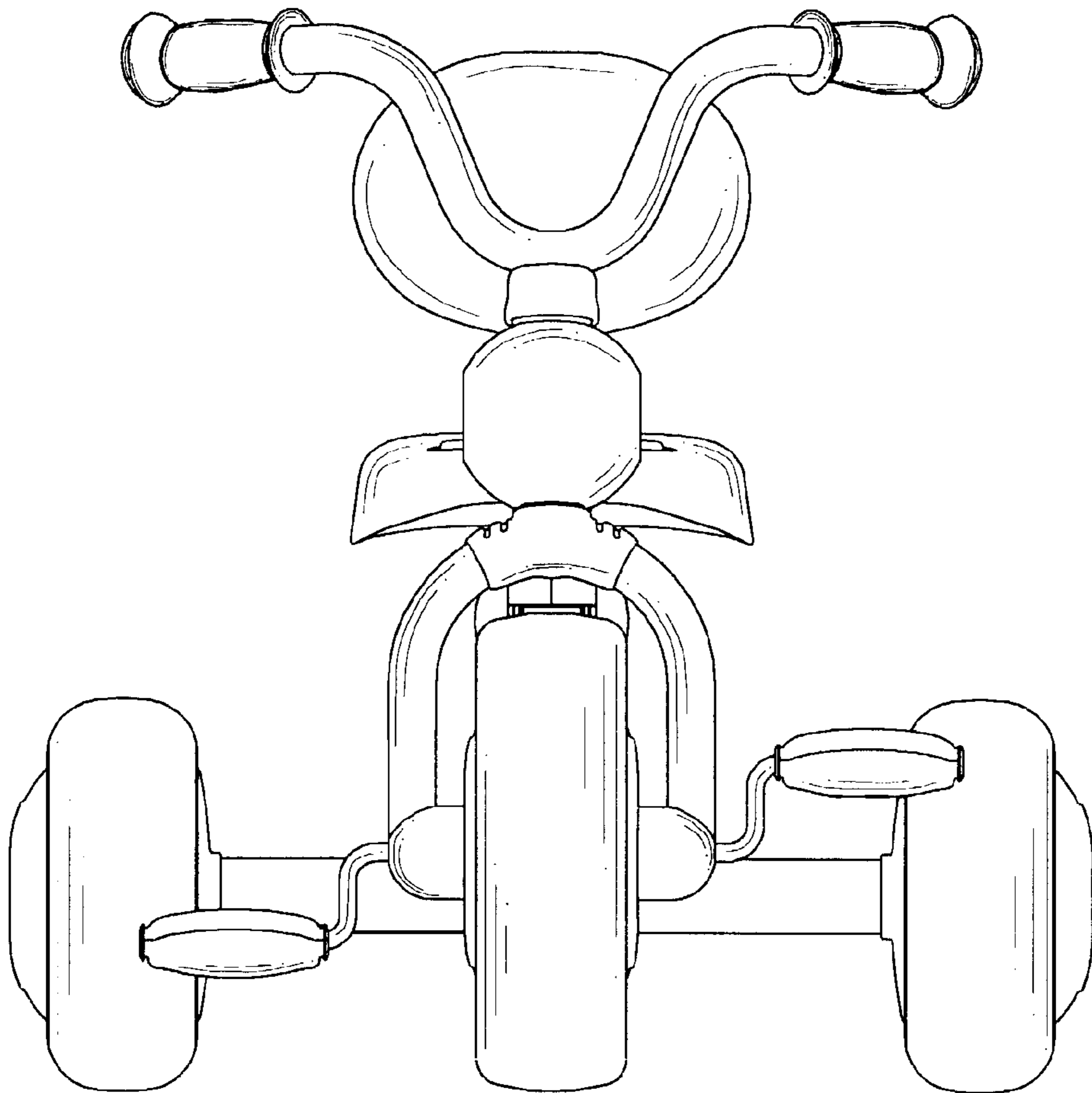


FIG . 2

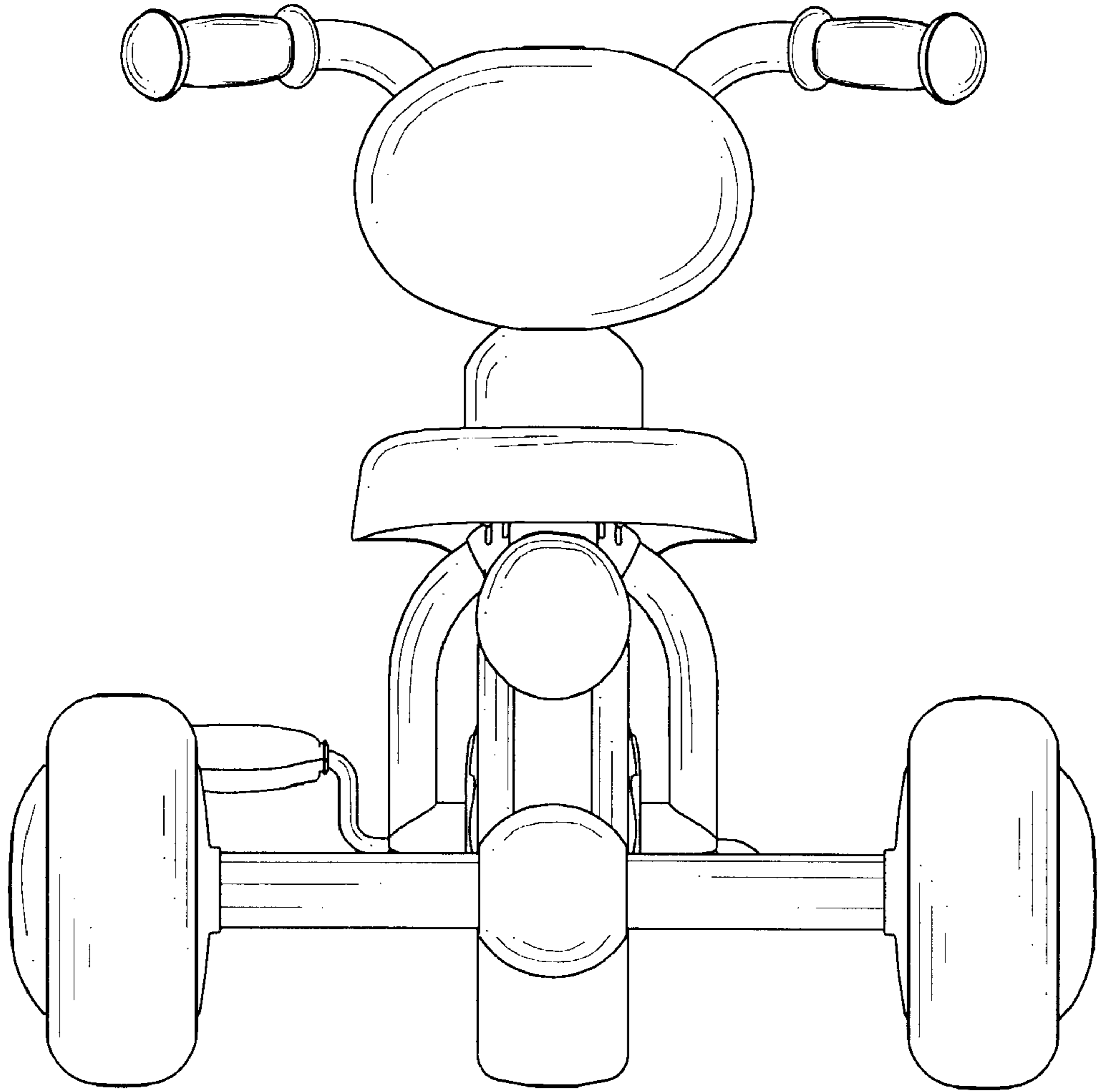


FIG . 3

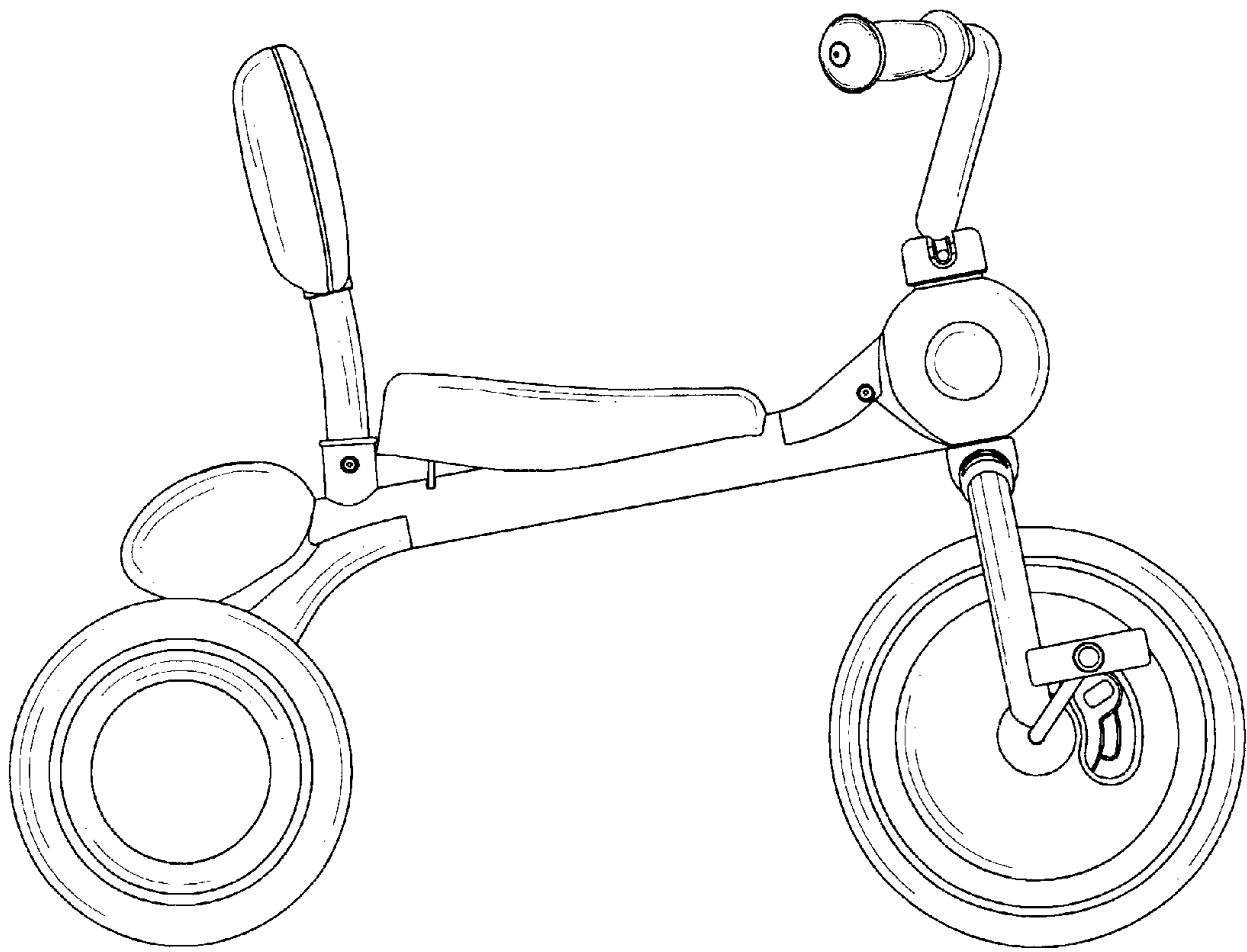


FIG . 4

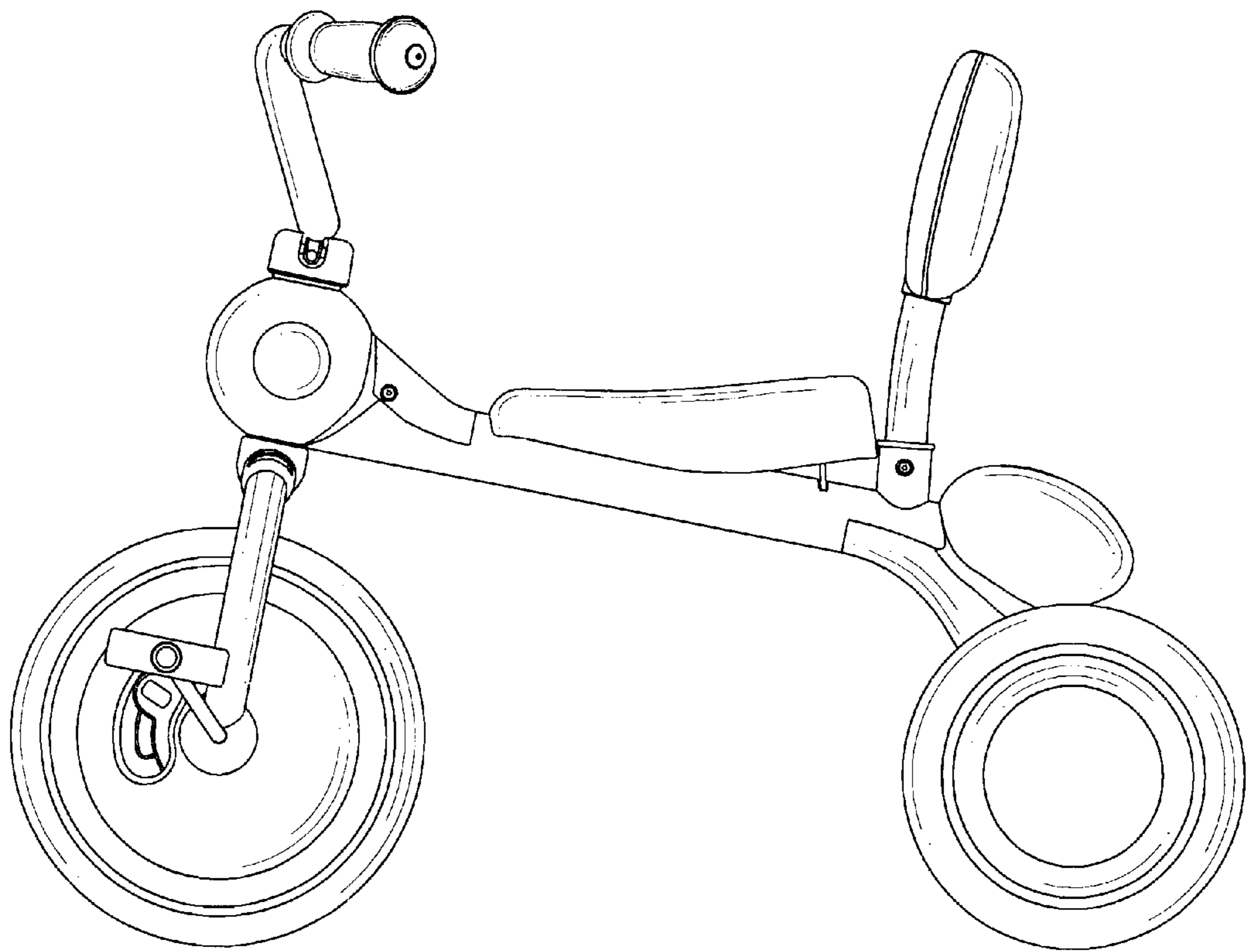


FIG . 5

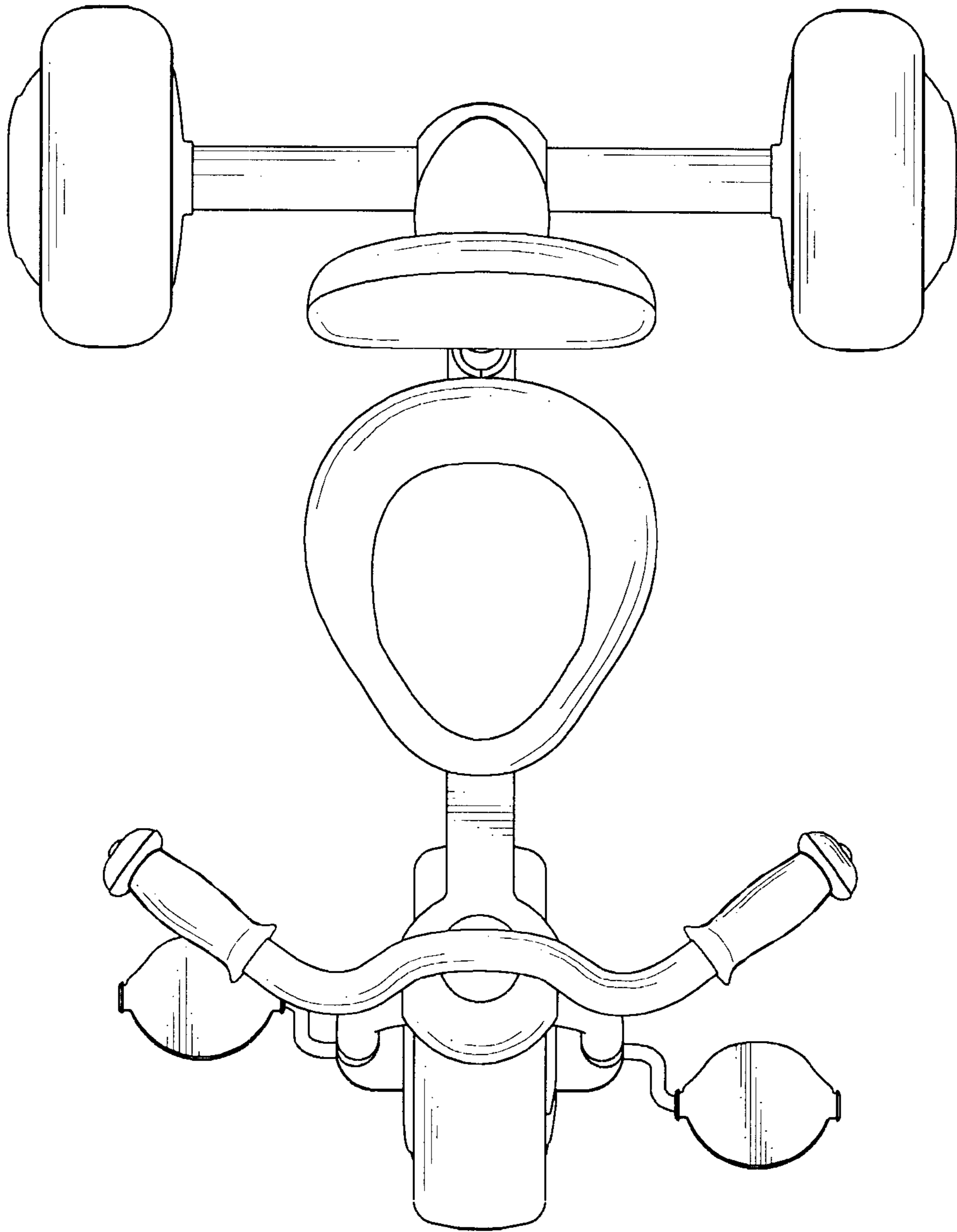


FIG . 6

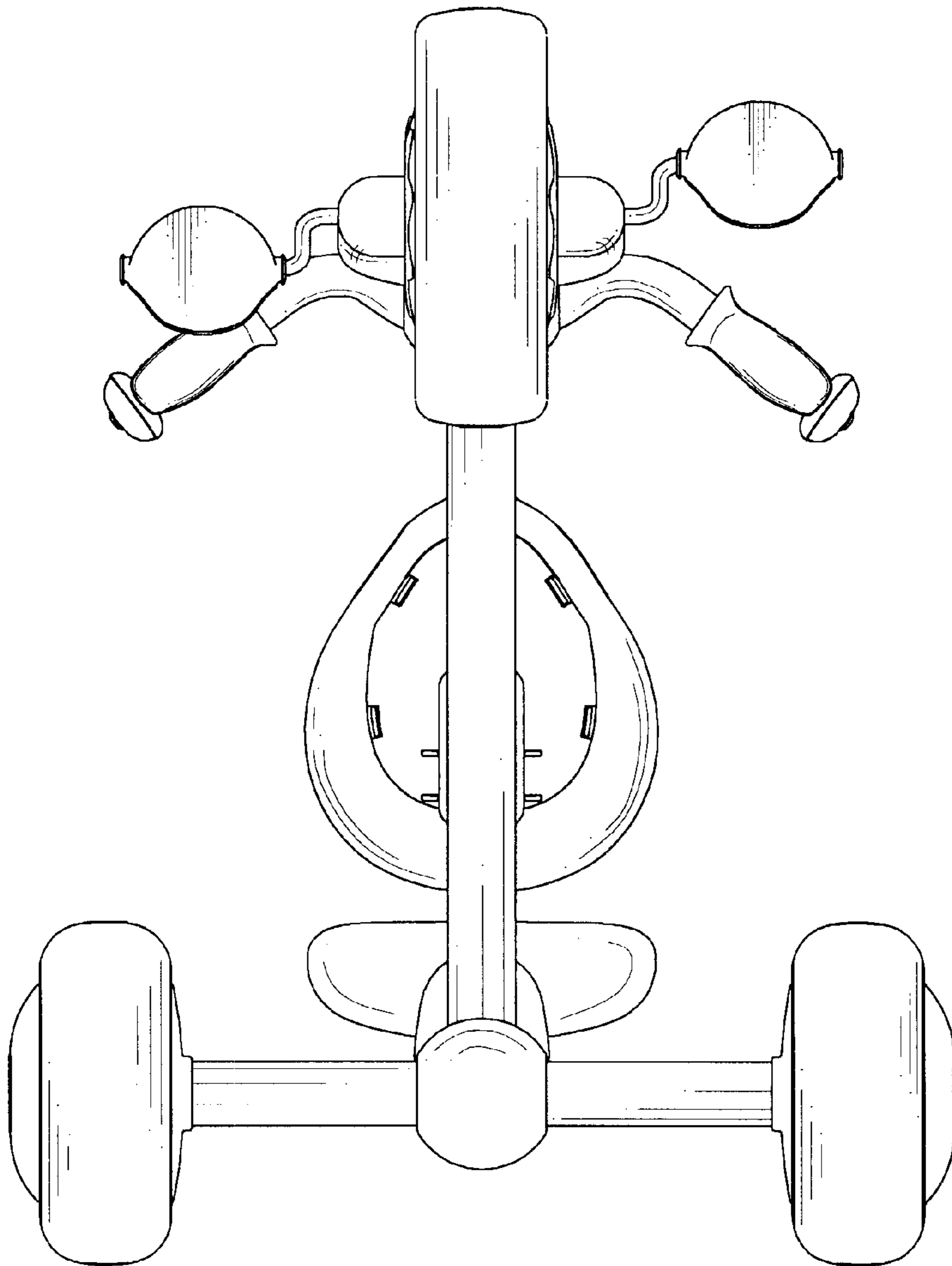


FIG . 7