



US00D470080S

(12) **United States Design Patent**  
**Sutton**

(10) **Patent No.:** **US D470,080 S**

(45) **Date of Patent:** **\*\* Feb. 11, 2003**

- (54) **INDIVIDUAL GOLF CART**
- (75) Inventor: **Donald J. Sutton**, Rockford, IL (US)
- (73) Assignee: **Chariot Carts, Inc.**, Rockford, IL (US)
- (\*\*) Term: **14 Years**
- (21) Appl. No.: **29/156,207**
- (22) Filed: **Feb. 25, 2002**

4,802,547 A	2/1989	Nakasaka	
4,848,504 A	7/1989	Olson	
4,874,055 A	10/1989	Beer	
5,161,635 A	11/1992	Kiffe	
5,277,267 A	1/1994	Tiffany et al.	
5,346,028 A	9/1994	Cassano	
5,350,982 A	9/1994	Seib	
6,056,077 A	* 5/2000	Kobayashi	180/216
6,139,032 A	10/2000	Hartman	
6,142,253 A	11/2000	Mueller et al.	
6,182,778 B1	2/2001	Henshaw et al.	
6,189,304 B1	2/2001	Velke et al.	
6,267,190 B1	7/2001	Micheletti	

**Related U.S. Application Data**

- (63) Continuation of application No. 09/583,974, filed on May 31, 2000, now Pat. No. 6,397,961.
- (51) **LOC (7) Cl.** ..... **12-02**
- (52) **U.S. Cl.** ..... **D12/16**
- (58) **Field of Search** ..... D12/16, 12; 180/19.2-19.3, 180/183, 191, 65.1, 193, 89.13, 216, 291; 280/32.7, 208, DIG. 5; 296/190.01, 190.08, 183

\* cited by examiner

*Primary Examiner*—Nelson C. Holtje

(74) *Attorney, Agent, or Firm*—Leydig, Voit & Mayer, Ltd.

(57) **CLAIM**

I claim the ornamental design for the individual golf cart, as shown and described.

**DESCRIPTION**

FIG. 1 is a perspective view of an embodiment of the individual golf cart constructed in accordance with the teachings of the present invention;

FIG. 2 is a side view, taken from the left, of the golf cart shown in FIG. 1;

FIG. 3 is a side view, taken from the right, of the golf cart shown in FIG. 1;

FIG. 4 is a front view of the golf cart shown in FIG. 1;

FIG. 5 is a rear view of the golf cart shown in FIG. 1;

FIG. 6 is a top view of the golf cart shown in FIG. 1;

FIG. 7 is a perspective view of another embodiment of the individual golf cart constructed in accordance to the teachings of the present invention;

FIG. 8 is a rear view of another embodiment of the individual golf cart constructed in accordance with the teachings of the present invention; and,

FIG. 9 is a side view, taken form the left, of the golf cart shown in FIG. 8.

(56) **References Cited**

**U.S. PATENT DOCUMENTS**

1,637,538 A	8/1927	Sampson	
1,763,542 A	6/1930	Schoenberg et al.	
1,855,068 A	4/1932	Remde	
1,986,134 A	1/1935	Burrows et al.	
2,242,453 A	5/1941	Cochran	
3,056,461 A	* 10/1962	Quayle	180/19.2 X
3,057,425 A	* 10/1962	Proett	180/216
D197,509 S	* 2/1964	Dodd	D12/88
3,179,198 A	4/1965	Hastings, Jr.	
3,608,659 A	9/1971	Gardner	
3,840,085 A	10/1974	Smith	
3,871,464 A	3/1975	Eden	
4,091,977 A	5/1978	Luttbeg	
4,522,281 A	6/1985	Snider	
4,538,695 A	9/1985	Bradt	
4,573,549 A	3/1986	Pankow	
4,663,923 A	5/1987	Boice	
4,716,980 A	* 1/1988	Butler	180/19.2

**1 Claim, 9 Drawing Sheets**

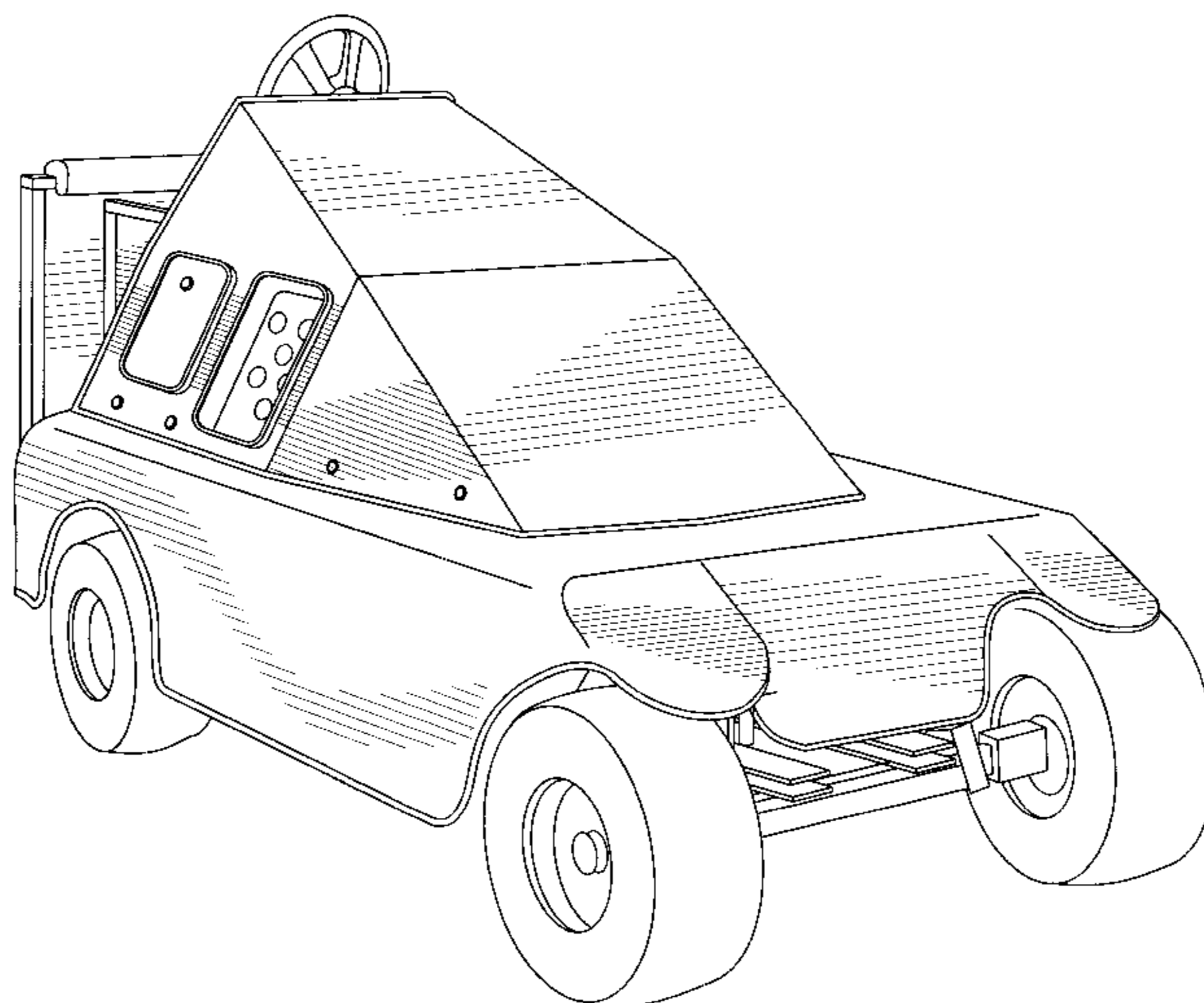
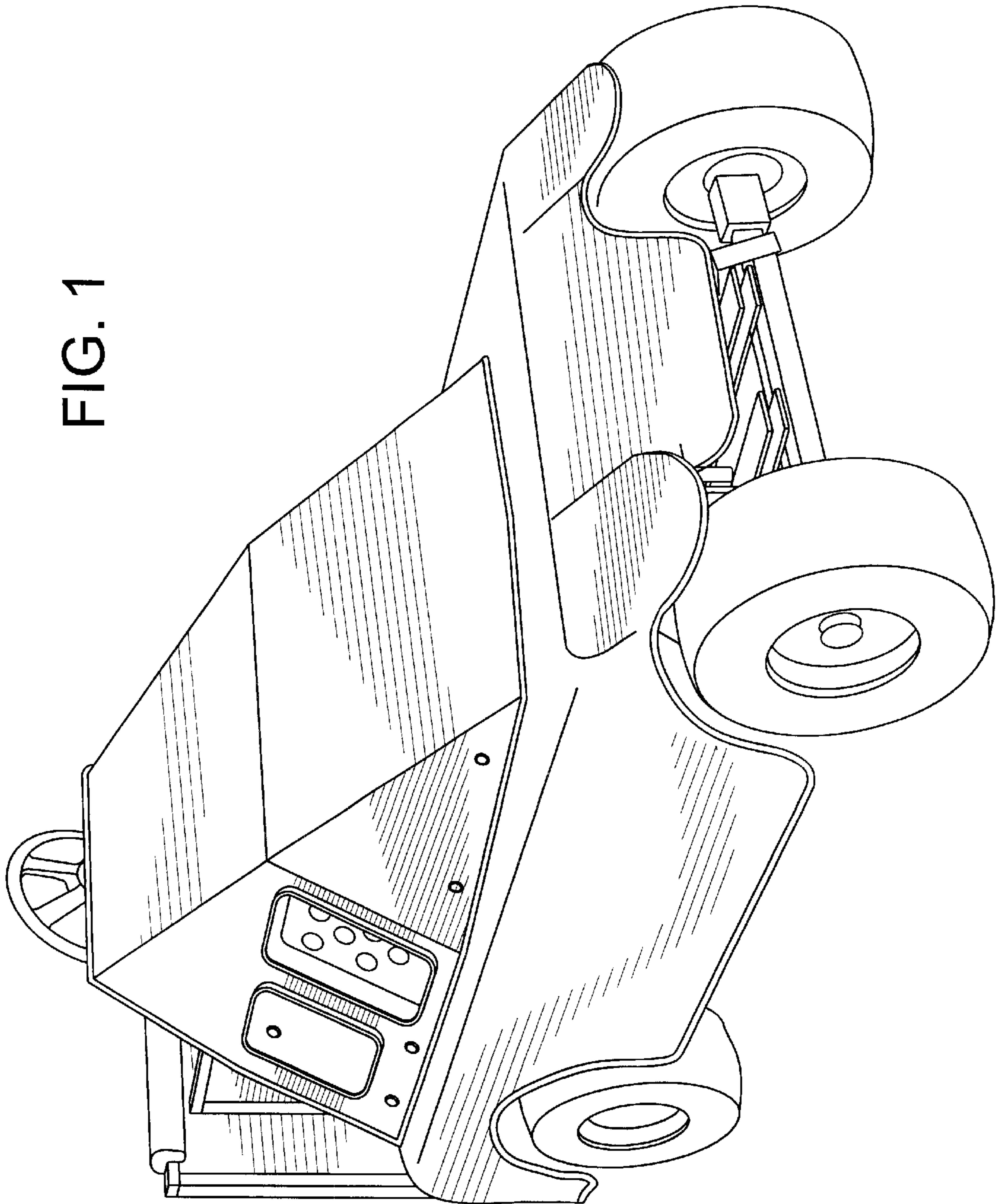


FIG. 1



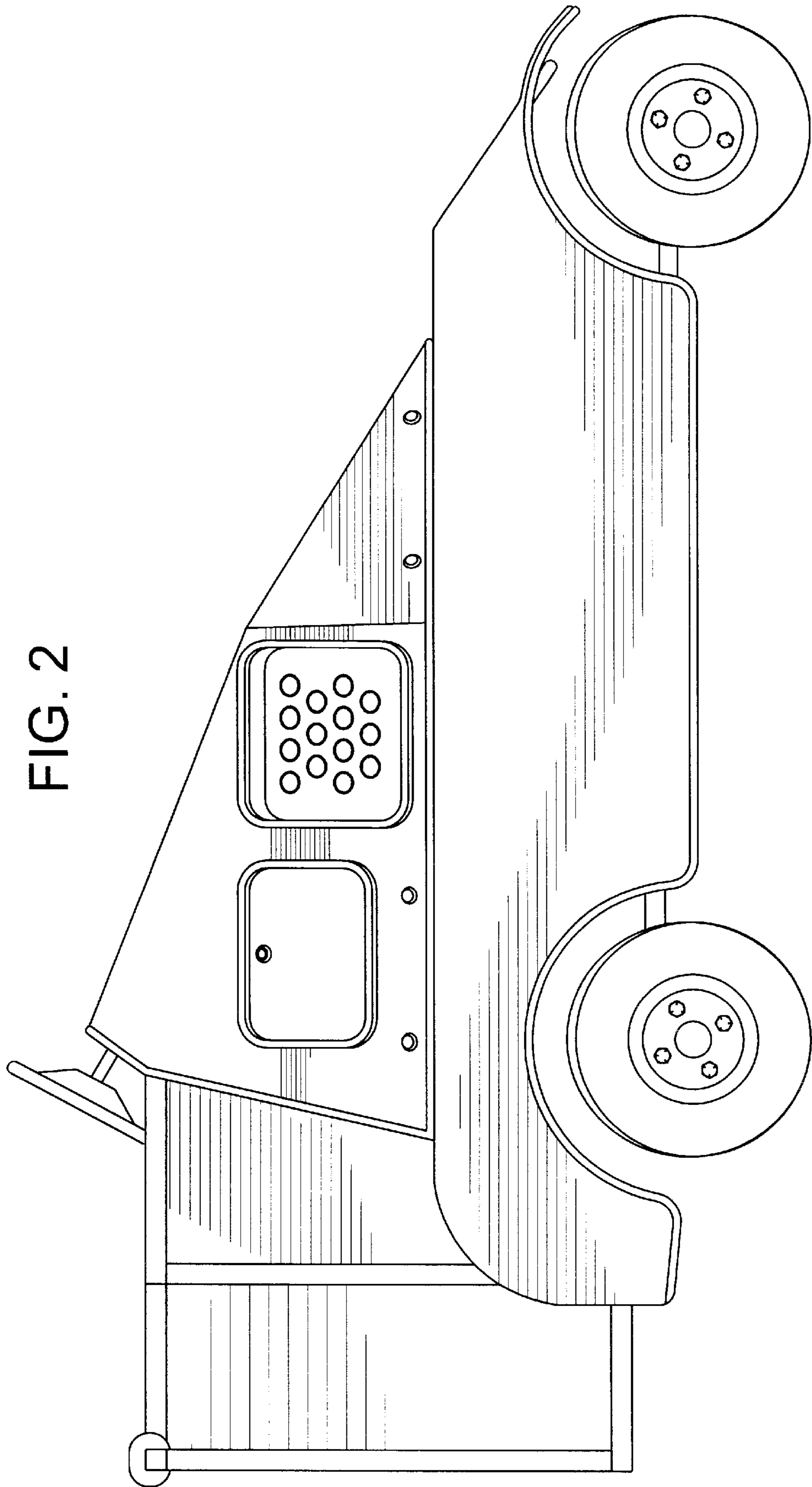


FIG. 2

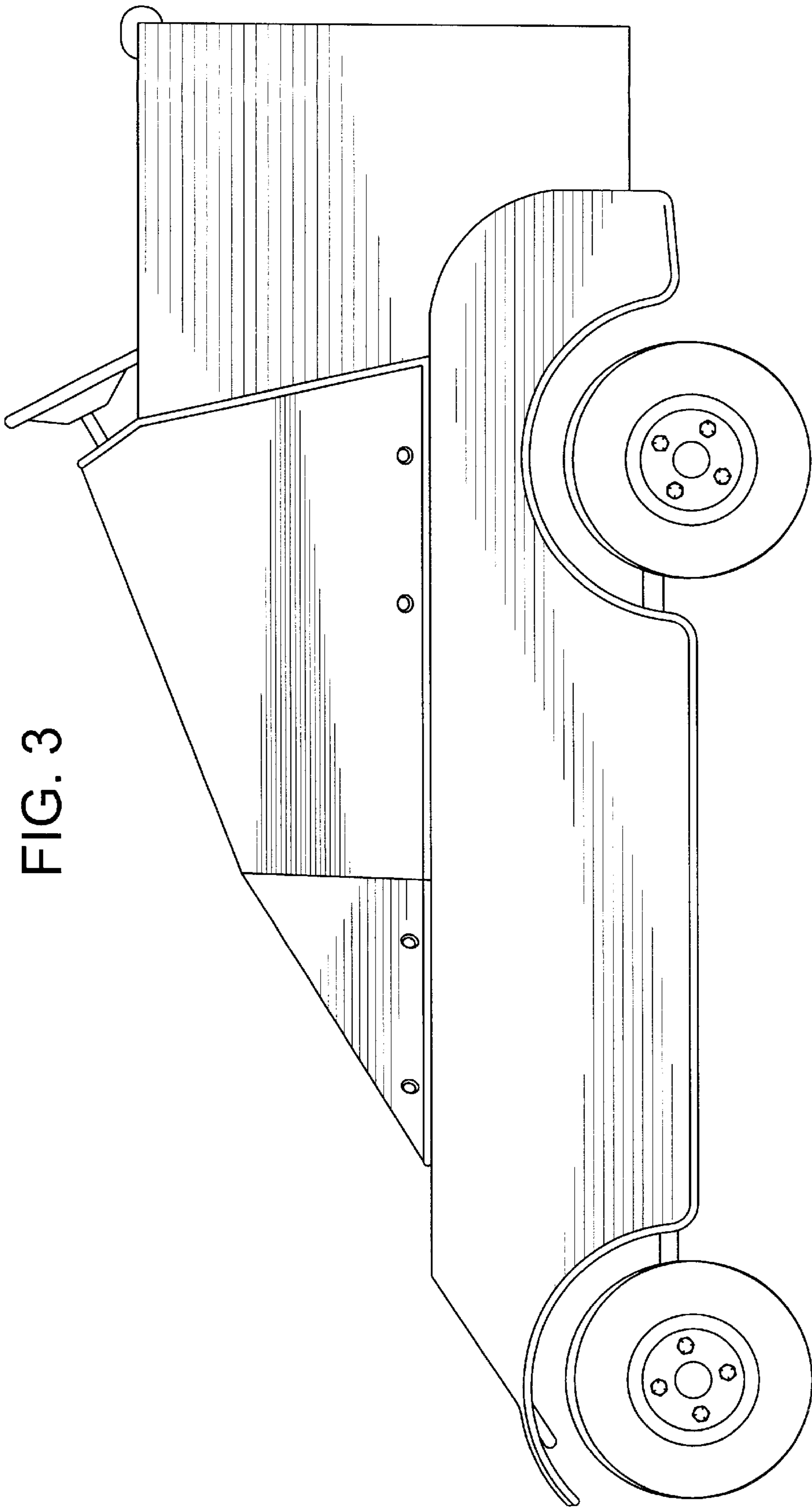


FIG. 3



FIG. 4

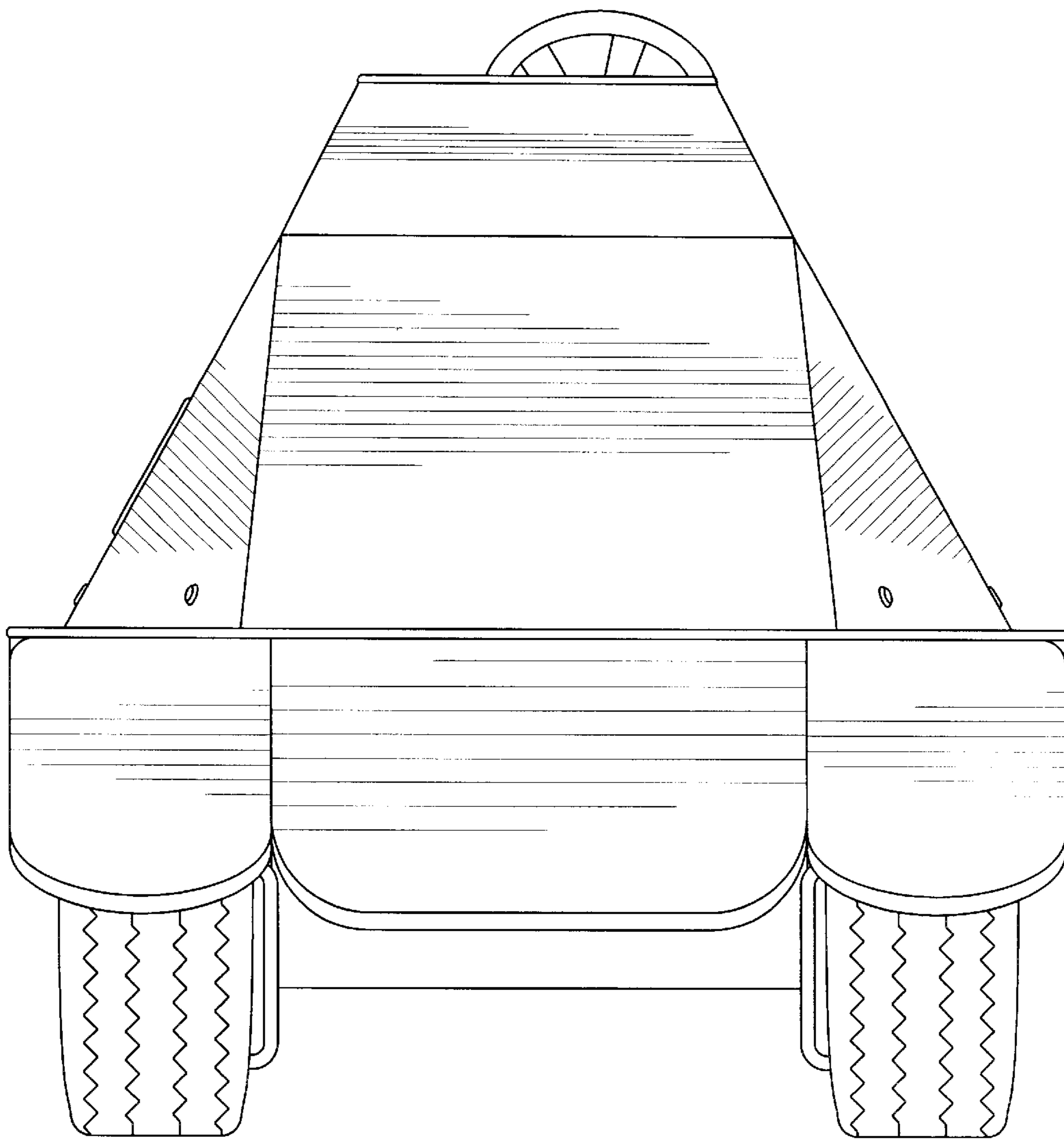


FIG. 5

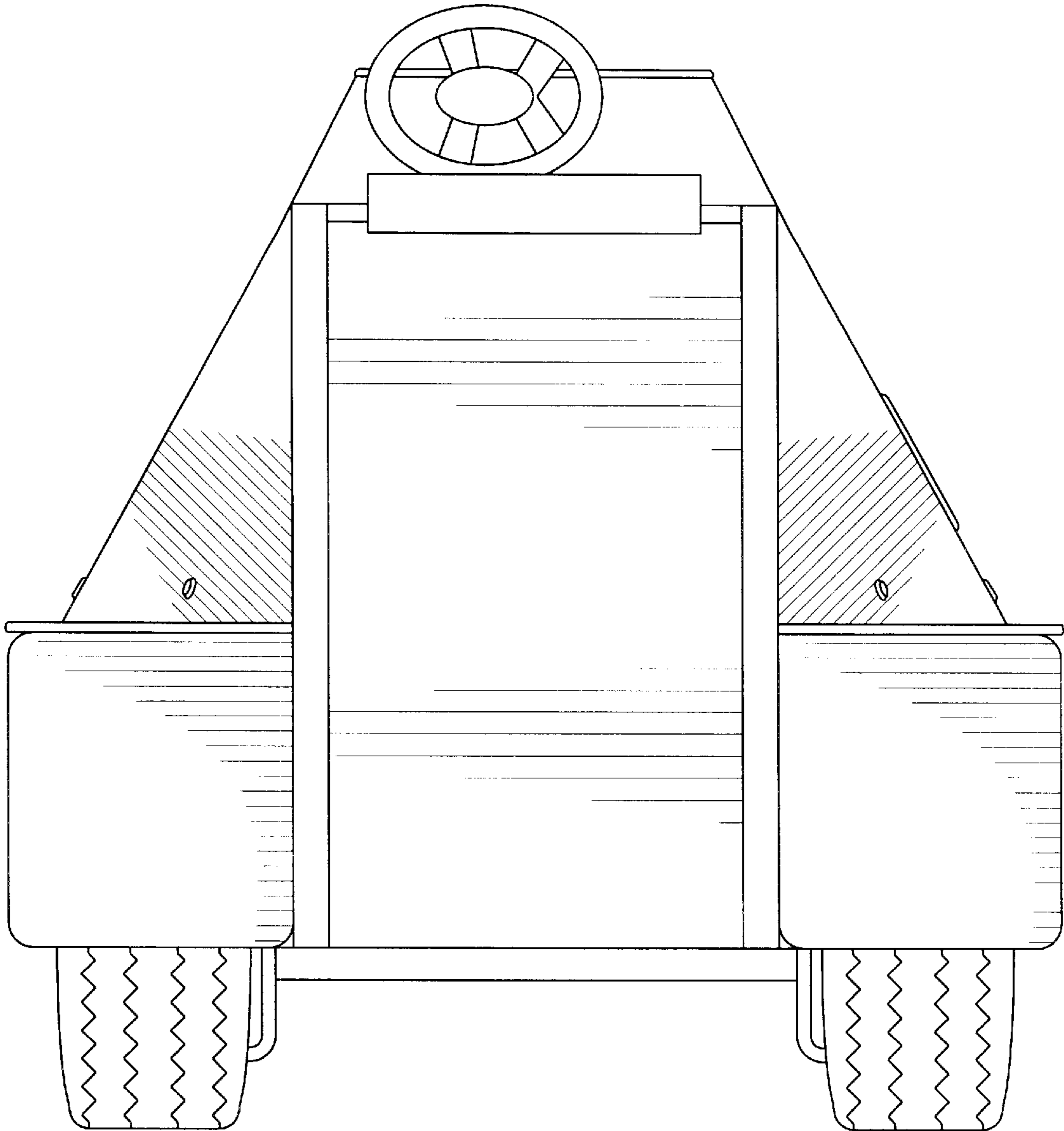


FIG. 6

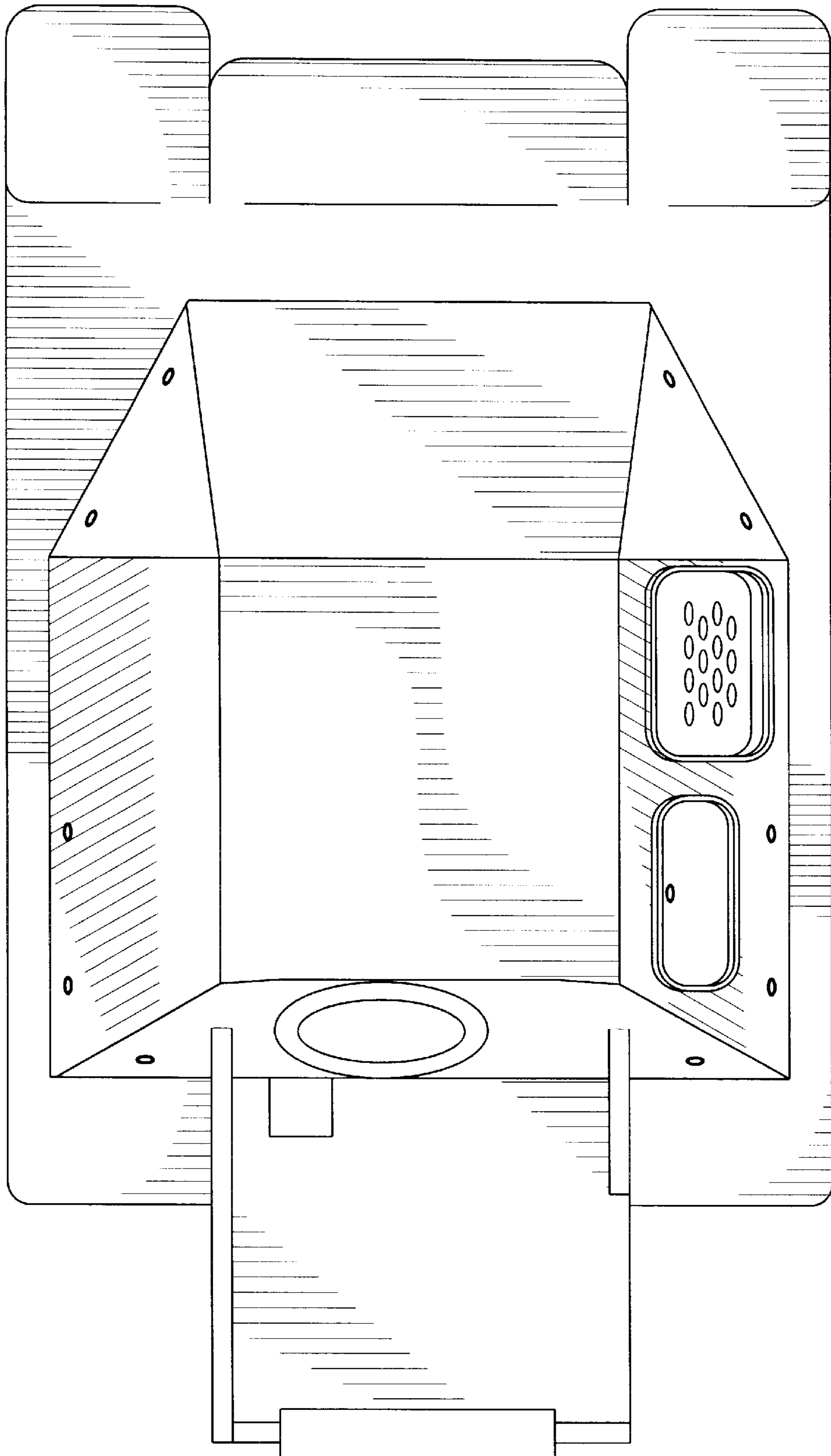


FIG. 7

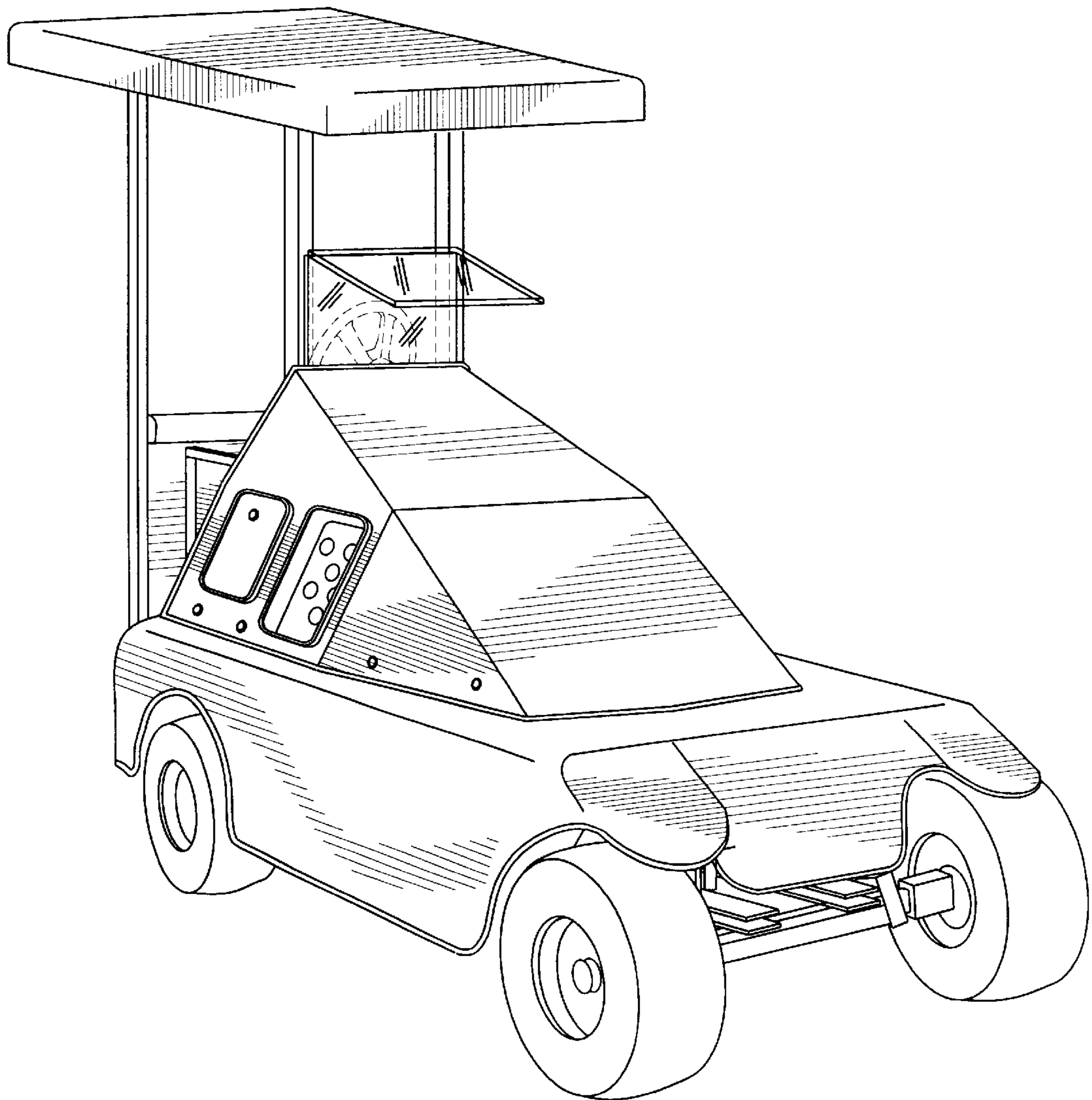




FIG. 8

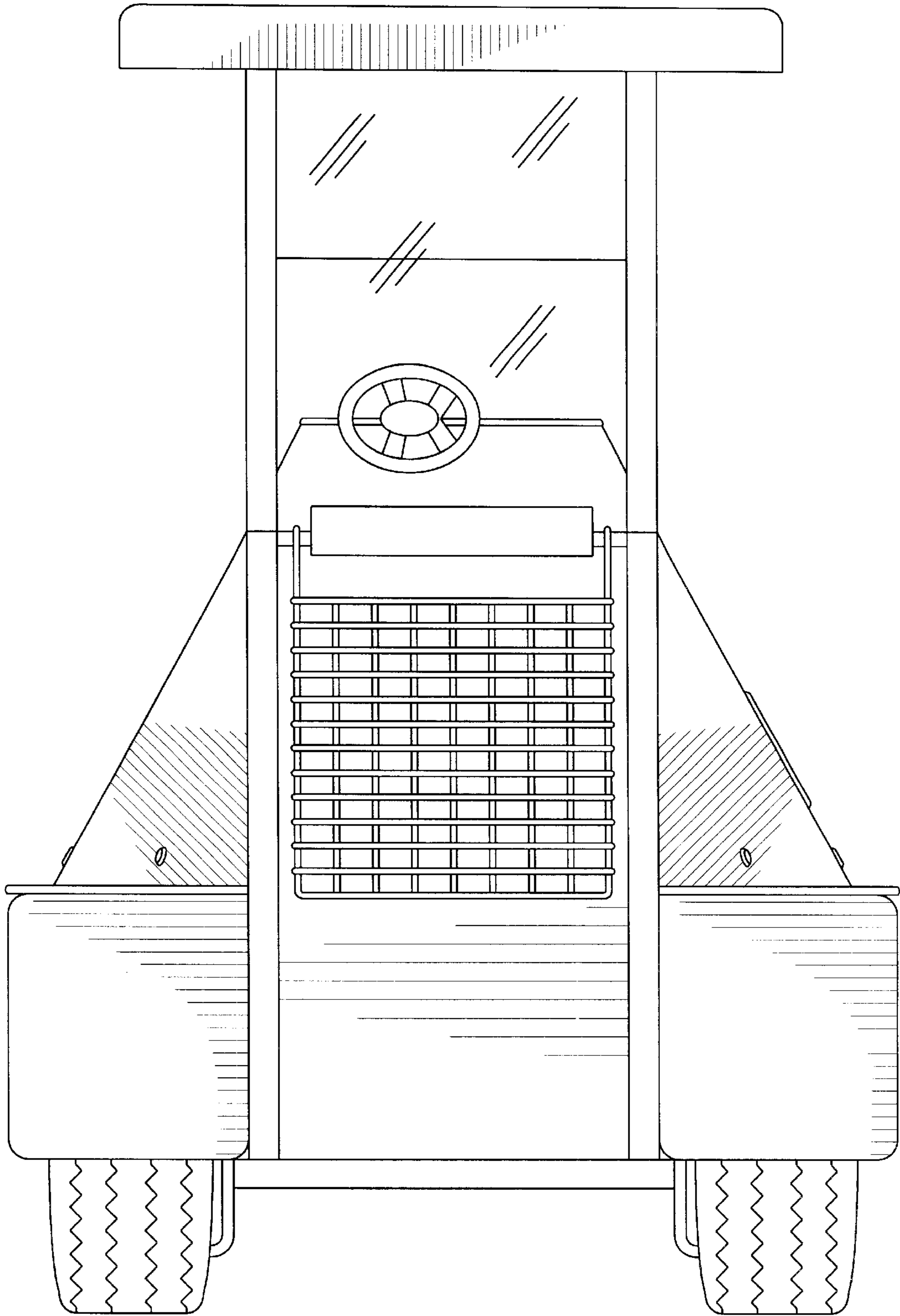
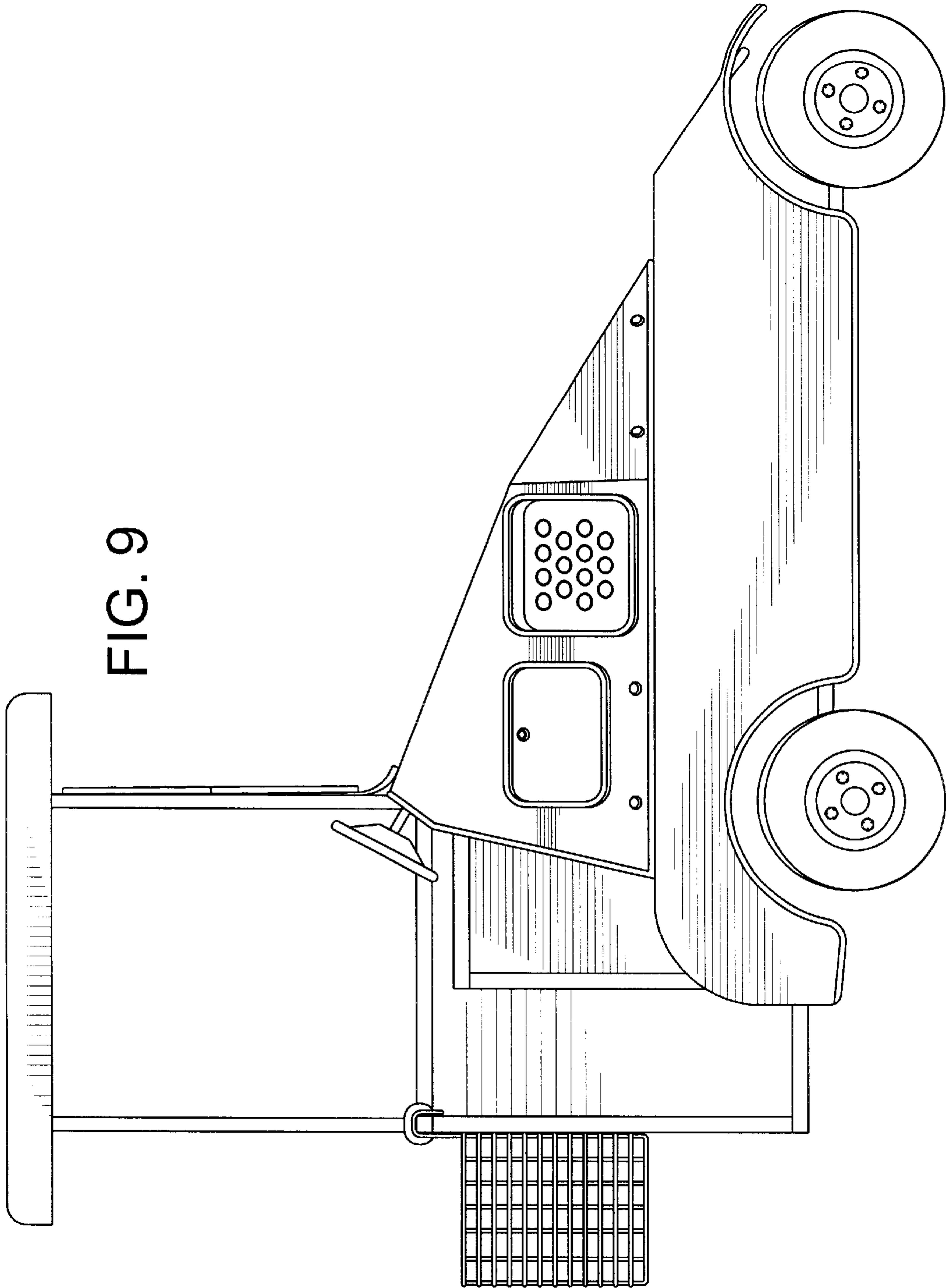


FIG. 9



UNITED STATES PATENT AND TRADEMARK OFFICE  
**CERTIFICATE OF CORRECTION**

PATENT NO. : Des. 470,080 S  
DATED : February 11, 2003  
INVENTOR(S) : Donald J. Sutton

Page 1 of 3

It is certified that error appears in the above-identified patent and that said Letters Patent is hereby corrected as shown below:

Drawings,

Delete Drawing Fig 6 and 7, and replace with fig 6 and 7, as shown on the attached page.

Signed and Sealed this

Twenty-eighth Day of October, 2003

A handwritten signature in black ink, appearing to read "James E. Rogan", with a horizontal line drawn underneath it.

JAMES E. ROGAN  
*Director of the United States Patent and Trademark Office*

FIG. 6

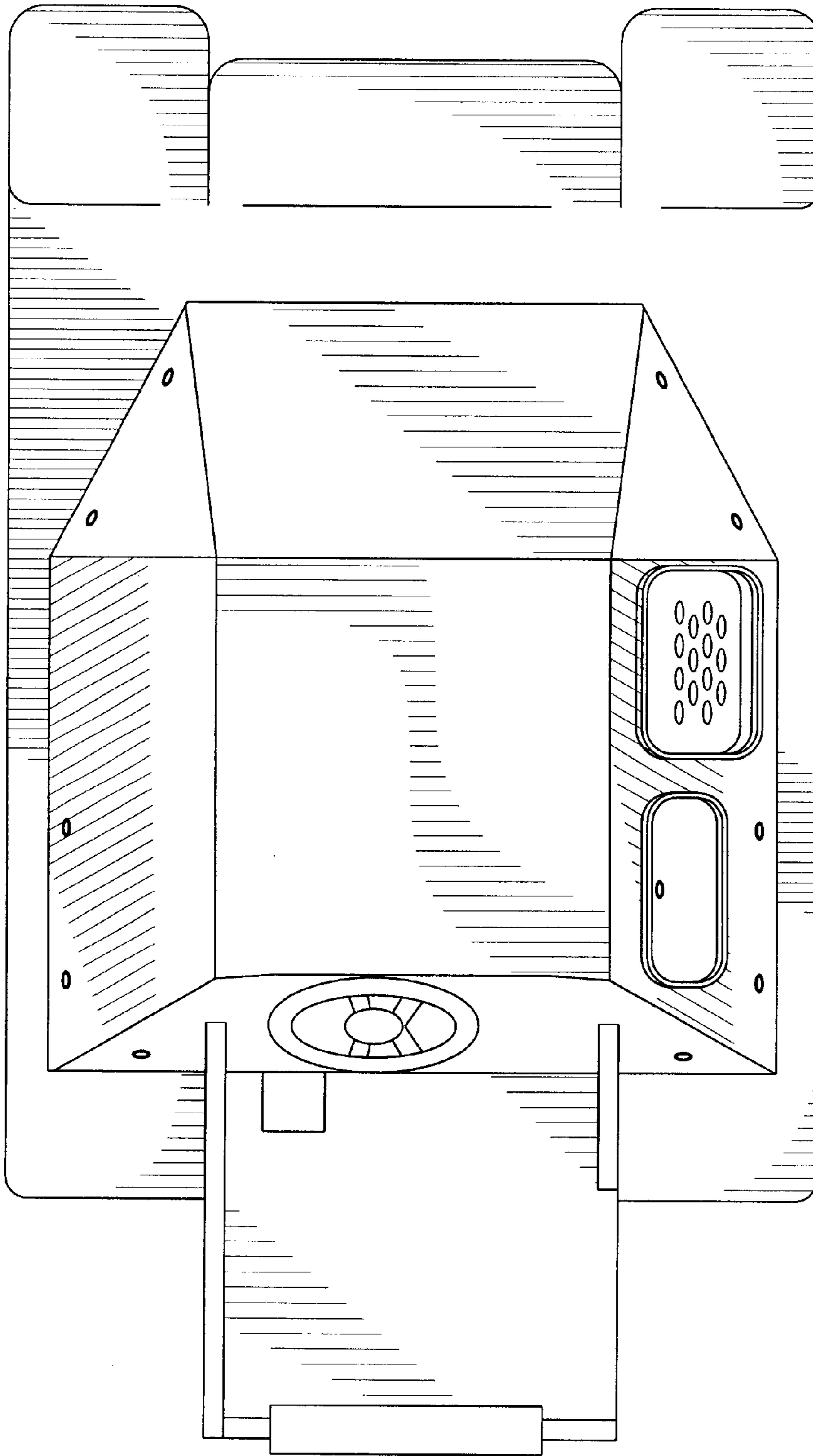


FIG. 7

