



US00D470079S

(12) **United States Design Patent**
Lybarger et al.

(10) **Patent No.:** **US D470,079 S**

(45) **Date of Patent:** **** Feb. 11, 2003**

(54) **AMPHIBIOUS CRAFT**

(75) **Inventors:** **Michael A. Lybarger**, Broken Arrow, OK (US); **Marde Burke**, Owasso, OK (US)

(73) **Assignee:** **W. C. Bradley/Zebco Holdings, Inc.**, Tulsa, OK (US)

(**) **Term:** **14 Years**

(21) **Appl. No.:** **29/140,306**

(22) **Filed:** **Apr. 16, 2001**

(51) **LOC (7) Cl.** **12-14**

(52) **U.S. Cl.** **D12/3**

(58) **Field of Search** D12/1, 3, 300, D12/315; 180/89.1, 182, 333, 9.1, 6.48; 296/185; 280/829; 114/270

(56) **References Cited**

U.S. PATENT DOCUMENTS

- D200,101 S * 1/1965 Smeaton D12/3
- D203,496 S * 1/1966 Bell D12/3

- D220,874 S * 6/1971 Rogers et al. D12/3
- 3,771,615 A * 11/1973 Rieli 180/6.48
- D230,845 S * 3/1974 Priestly D12/3
- D305,877 S * 2/1990 Price, II D12/3
- D356,056 S * 3/1995 Wardavoir D12/3
- D432,459 S * 10/2000 Miller D12/3
- D449,565 S * 10/2001 Royle D12/3

* cited by examiner

Primary Examiner—Stacia Cadmus

(74) *Attorney, Agent, or Firm*—Fellers, Snider, Blankenship, Bailey & Tippens, P.C.

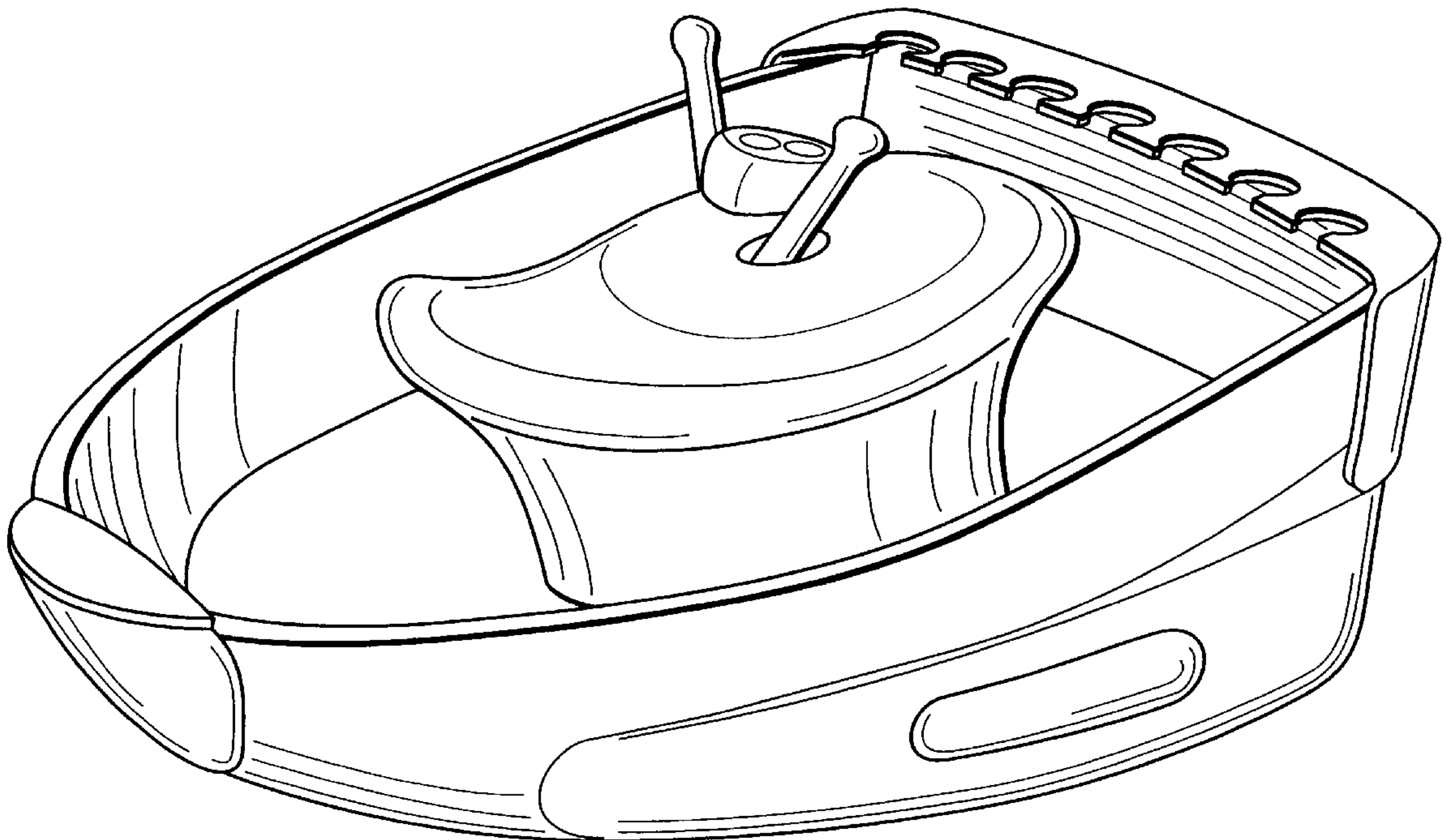
(57) **CLAIM**

The ornamental design for an amphibious craft, as shown and described.

DESCRIPTION

FIG. 1 is a perspective view of an amphibious craft showing our new design;
FIG. 2 is a side view thereof;
FIG. 3 is a front view thereof; and,
FIG. 4 is a top view thereof.

1 Claim, 4 Drawing Sheets



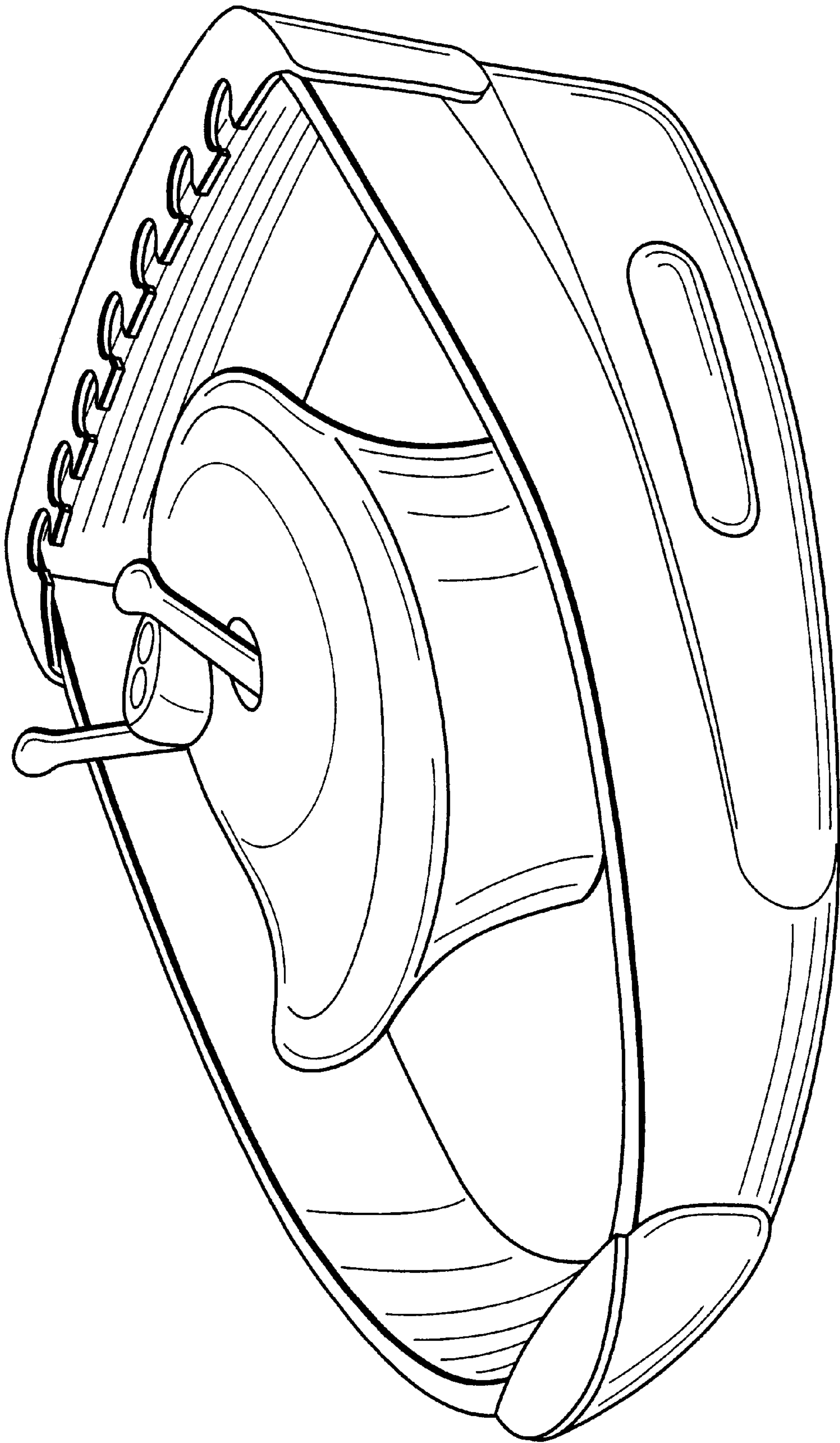


Fig. 1

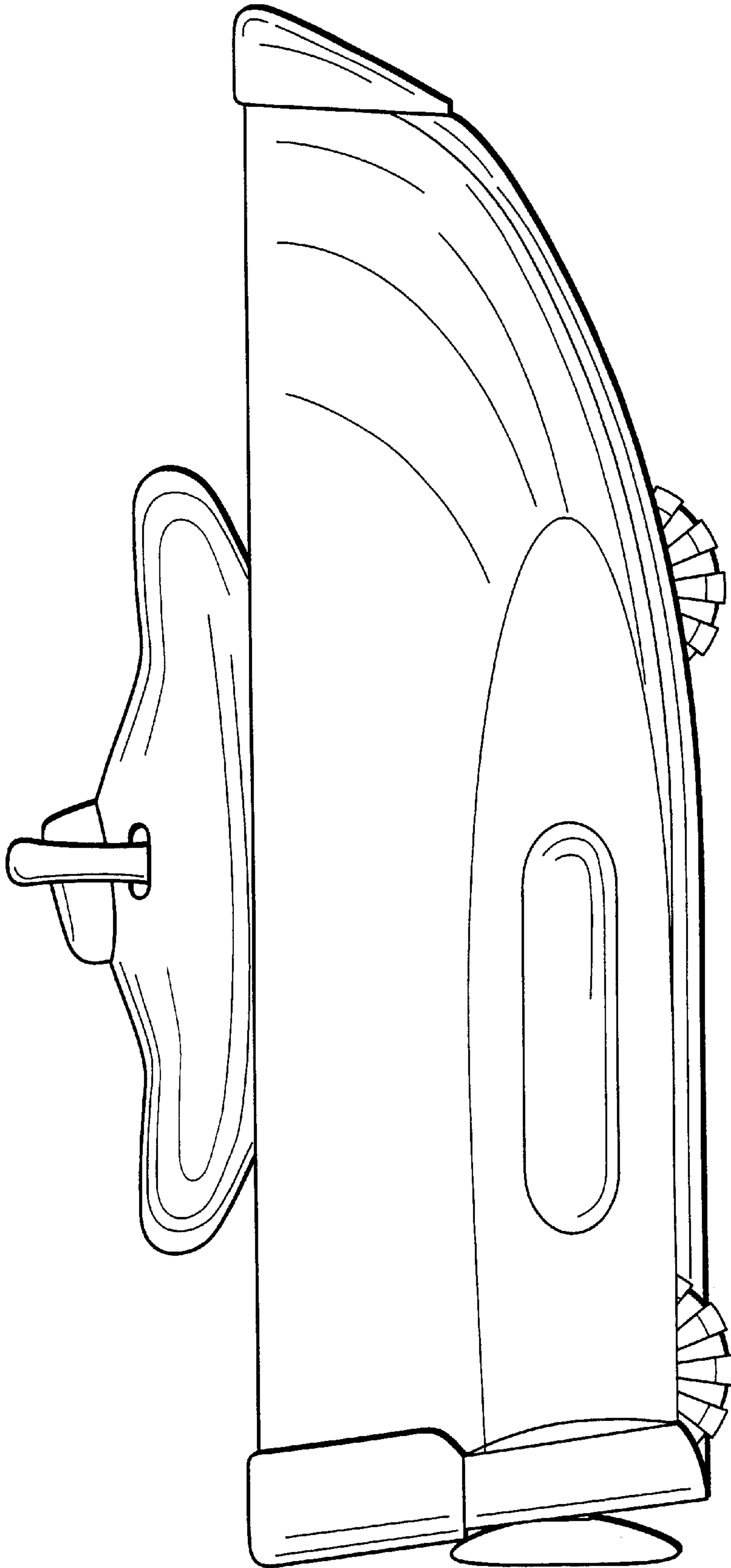


Fig. 2

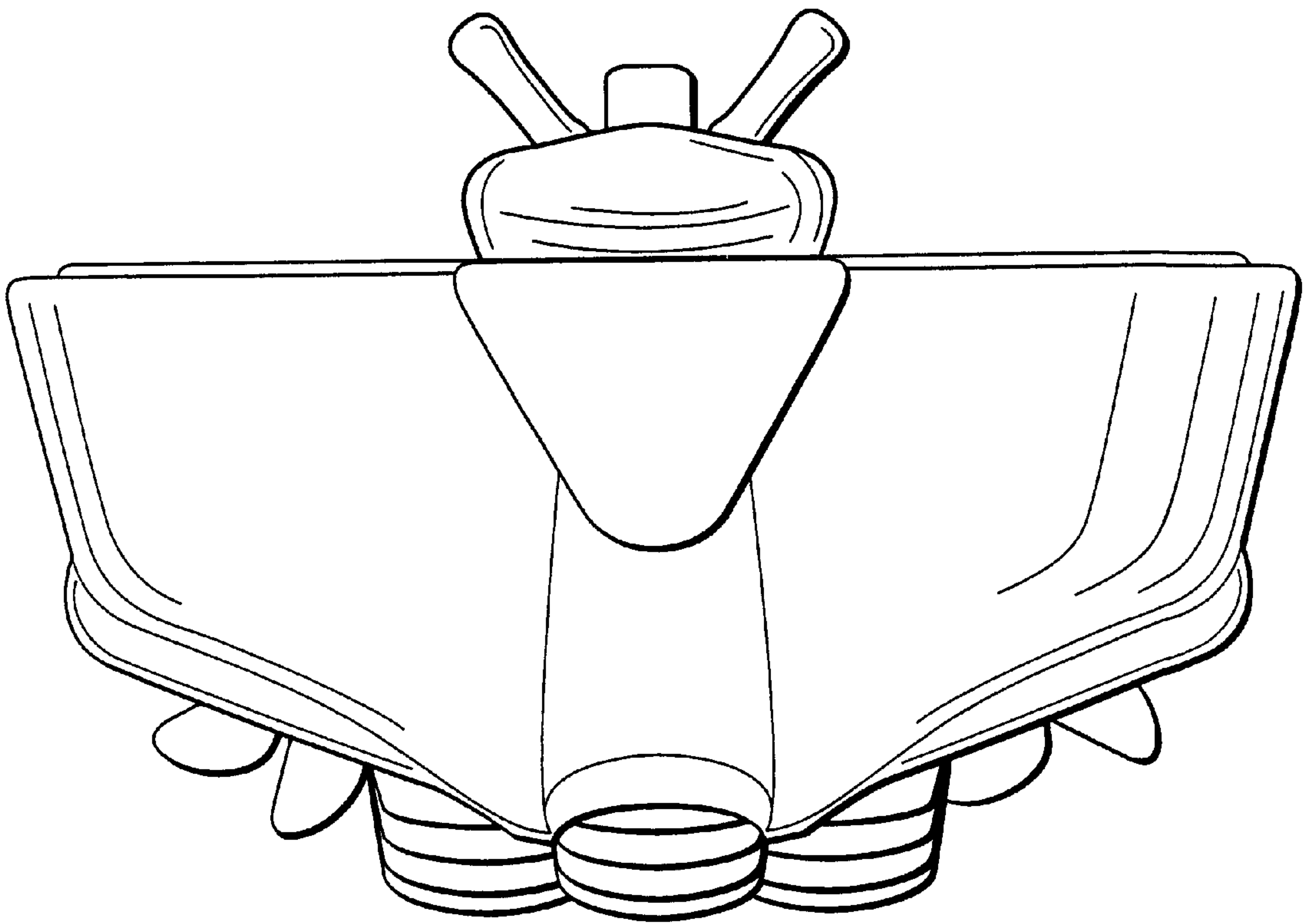


Fig. 3

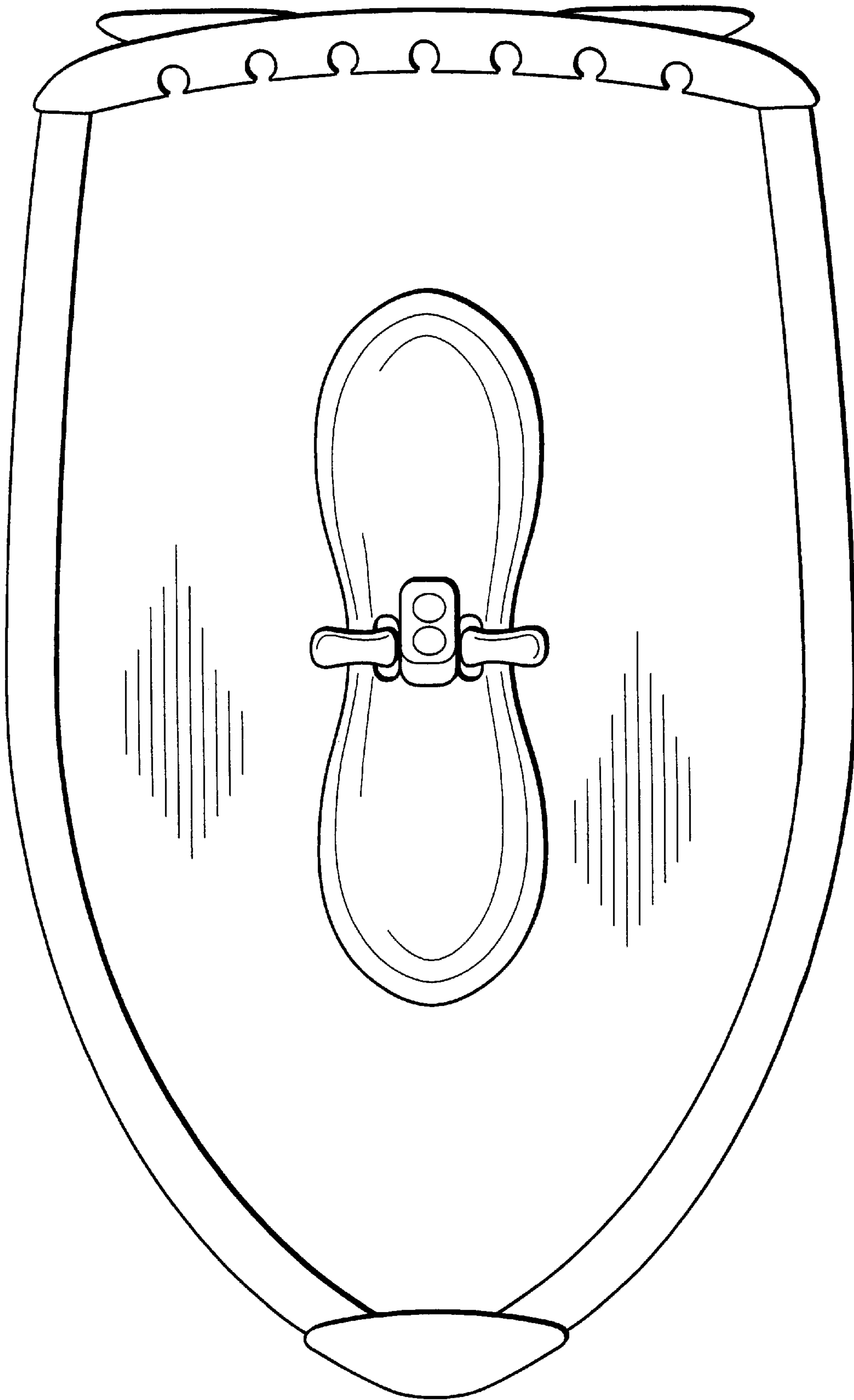


Fig. 4