



US00D470069S

(12) **United States Design Patent**  
**Weiss**

(10) **Patent No.:** **US D470,069 S**

(45) **Date of Patent:** **\*\* Feb. 11, 2003**

(54) **WATCH DIAL**

(75) **Inventor:** **David Weiss, Toronto (CA)**

(73) **Assignee:** **673367 Ontario Ltd., Toronto (CA)**

(\*\*) **Term:** **14 Years**

(21) **Appl. No.:** **29/137,512**

(22) **Filed:** **Feb. 23, 2001**

(30) **Foreign Application Priority Data**

Jan. 9, 2001 (CA) ..... 2001-0058

(51) **LOC (7) Cl.** ..... **10-03**

(52) **U.S. Cl.** ..... **D10/126**

(58) **Field of Search** ..... D10/1-40, 122-132;  
368/223, 228-229, 232, 280-282, 285

(56) **References Cited**

**U.S. PATENT DOCUMENTS**

- D65,351 S \* 7/1924 Reichenberg ..... D10/37
- D77,057 S \* 12/1928 Burgess ..... D10/32
- D215,466 S \* 10/1969 Jones ..... D10/6

- D270,999 S \* 10/1983 Cook ..... D9/520
- D282,912 S \* 3/1986 Clepea ..... D10/6
- D297,313 S \* 8/1988 Claude ..... D10/33
- D335,458 S \* 5/1993 Balaban ..... D10/6

**OTHER PUBLICATIONS**

Swiss Watch & Jewelry Journal—Feb. 1986—p.469—  
watcha t top.\*

\* cited by examiner

*Primary Examiner*—Nelson C. Holtje

(74) *Attorney, Agent, or Firm*—Dimock Stratton Clarizio  
LLP; Mark B. Eisen

(57) **CLAIM**

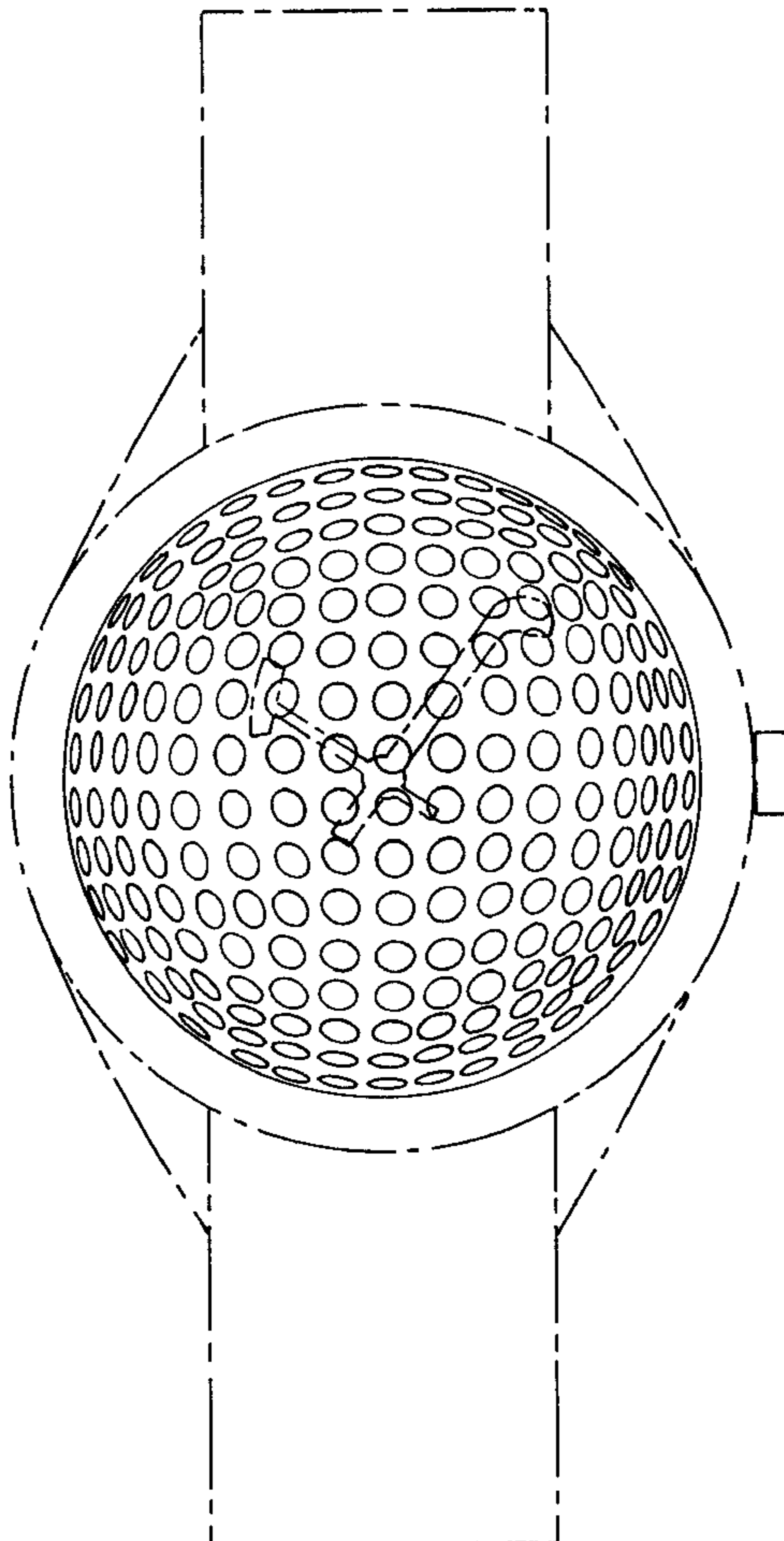
The ornamental design for a watch dial, as shown and  
described.

**DESCRIPTION**

FIG. 1 is a plan view showing the watch dial.

The broken lines in FIG. 1 is environment only and do not  
form part of the design.

**1 Claim, 1 Drawing Sheet**



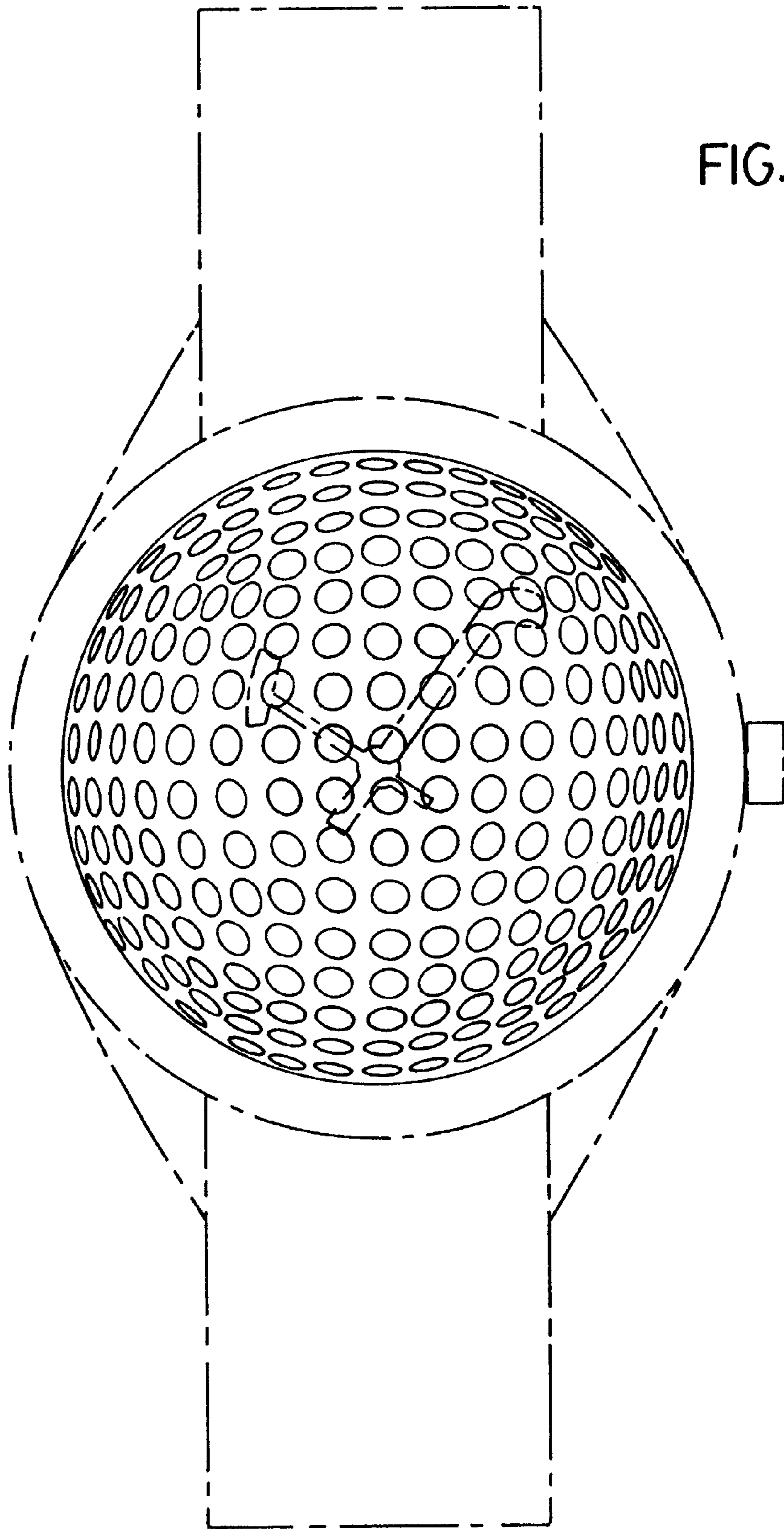


FIG.1