



US00D470068S

(12) **United States Design Patent**
Primos

(10) **Patent No.:** **US D470,068 S**

(45) **Date of Patent:** **** Feb. 11, 2003**

(54) **GAME CALL VOLUME CHAMBER**

(75) Inventor: **Wilbur R. Primos**, Jackson, MS (US)

(73) Assignee: **Primos, Inc.**, Flora, MS (US)

(**) Term: **14 Years**

(21) Appl. No.: **29/158,832**

(22) Filed: **Dec. 7, 2000**

Related U.S. Application Data

(60) Continuation of application No. 08/902,466, filed on Jul. 29, 1997, now Pat. No. 6,413,140, which is a division of application No. 08/364,887, filed on Dec. 27, 1994, now abandoned.

(51) **LOC (7) Cl.** **10-05**

(52) **U.S. Cl.** **D10/119**

(58) **Field of Search** D10/116, 119;
446/202-209

(56) **References Cited**

U.S. PATENT DOCUMENTS

2,928,209	A	*	3/1960	Johnson	D10/119	X
D247,785	S	*	4/1978	Ehrich	D10/119	
5,445,551	A	*	8/1995	Ady	446/209	
6,179,684	B1	*	1/2001	Carlton	446/207	

* cited by examiner

Primary Examiner—Antoine Duval Davis

(74) *Attorney, Agent, or Firm*—Holland & Hart

(57) **CLAIM**

The ornamental design for a game call volume chamber, substantially as shown and described.

DESCRIPTION

FIG. 1 is an isometric view of a game call volume chamber according to the present invention;

FIG. 2 is an exploded isometric view of the game call volume chamber of FIG. 1;

FIG. 3 is a side elevation view of the mouthpiece assembly of the game call volume chamber of FIG. 1;

FIG. 4 is a side elevation view of the mouthpiece assembly of the game call volume chamber of FIG. 1 with an end cap positioned to cover the mouthpiece;

FIG. 5 is an end view of the mouthpiece assembly according to the present invention with a snap-on diaphragm positioned over the inlet end of the mouthpiece;

FIG. 6 is a perspective view of the inlet end of the mouthpiece without the snap-on diaphragm;

FIG. 7 is an end view of the mouthpiece assembly of the game call volume chamber, including a dished-out portion formed in the support shelf, with a snap-on diaphragm positioned over the inlet end of the mouthpiece;

FIG. 8 is a perspective view of the inlet end of the mouthpiece of FIG. 7 without the snap-on diaphragm;

FIG. 9 is a sectional side elevation view taken along the line 9—9 of FIG. 7, of the inlet end of the mouthpiece assembly including the dished-out area;

FIG. 10 is a sectional side elevation view of the mouthpiece assembly and attached snap-on diaphragm according to the present invention;

FIG. 11 is a side elevation view of the mouthpiece assembly with a sheet of membrane material secured over the inlet end of the mouthpiece;

FIG. 12 is an end view of the mouthpiece assembly of FIG. 11;

FIG. 13 is a front view of a snap-on diaphragm according to the present invention;

FIG. 14 is a sectional side elevation view, taken along the line 14—14 of FIG. 13, of a snap on diaphragm according to the present invention;

FIG. 15 is a sectional bottom view, taken along the line 15—15 of FIG. 13, of a snap-on diaphragm according to the present invention;

FIG. 16 is a sectional side elevation view of the volume chamber of the game call volume chamber of FIG. 1.

FIG. 17 is a perspective view of the ornamental design of a game call volume chamber according to the present invention;

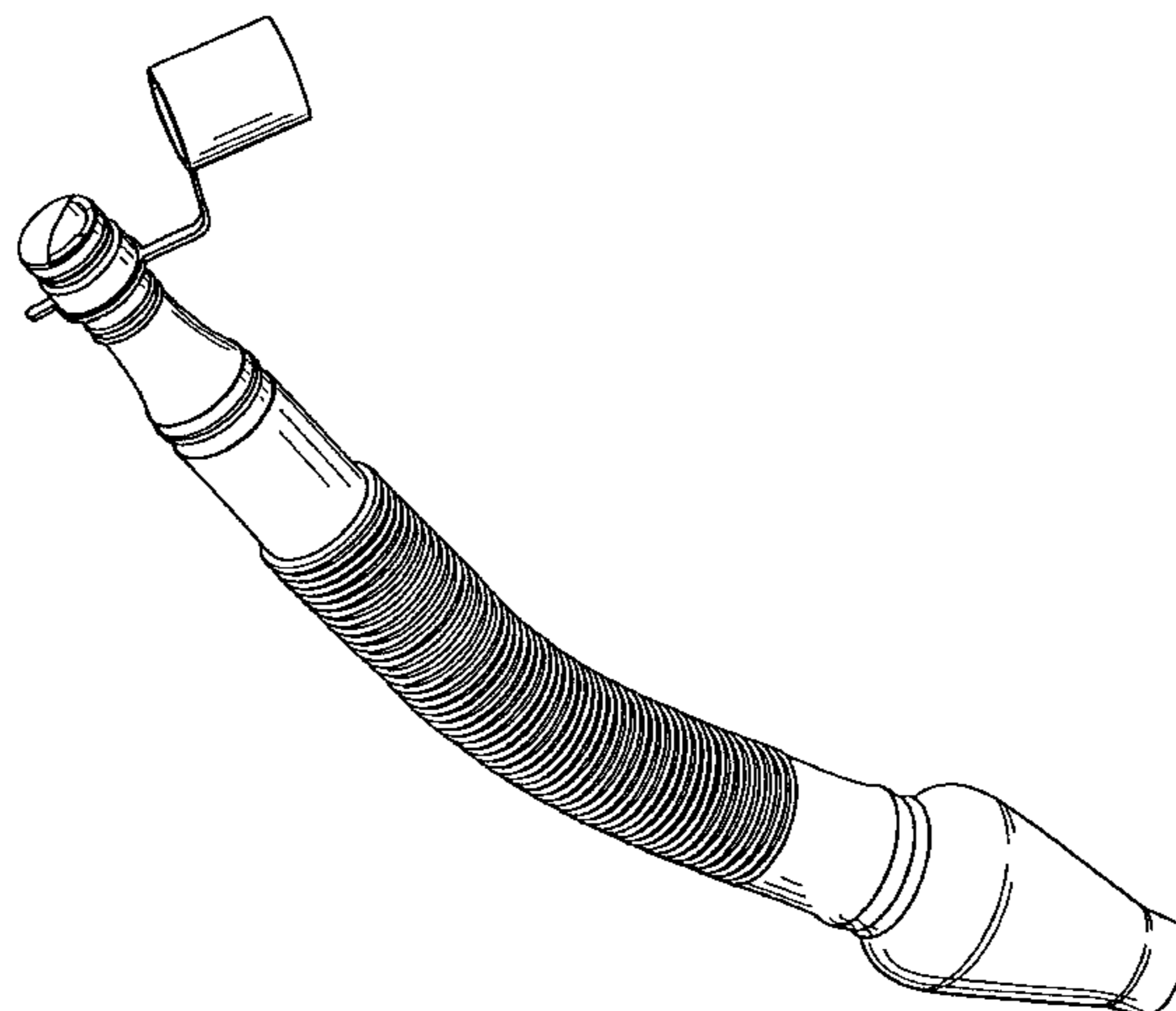
FIG. 18 is representative of a front, top, bottom, and rear elevation view of the game call volume chamber of FIG. 17;

FIG. 19 is a right side elevation view of the game call volume chamber of FIG. 17; and,

FIG. 20 is a left side elevation view of the volume chamber of FIG. 17.

The broken line showing is for illustrative purposes only and forms no part of the claimed design.

1 Claim, 7 Drawing Sheets



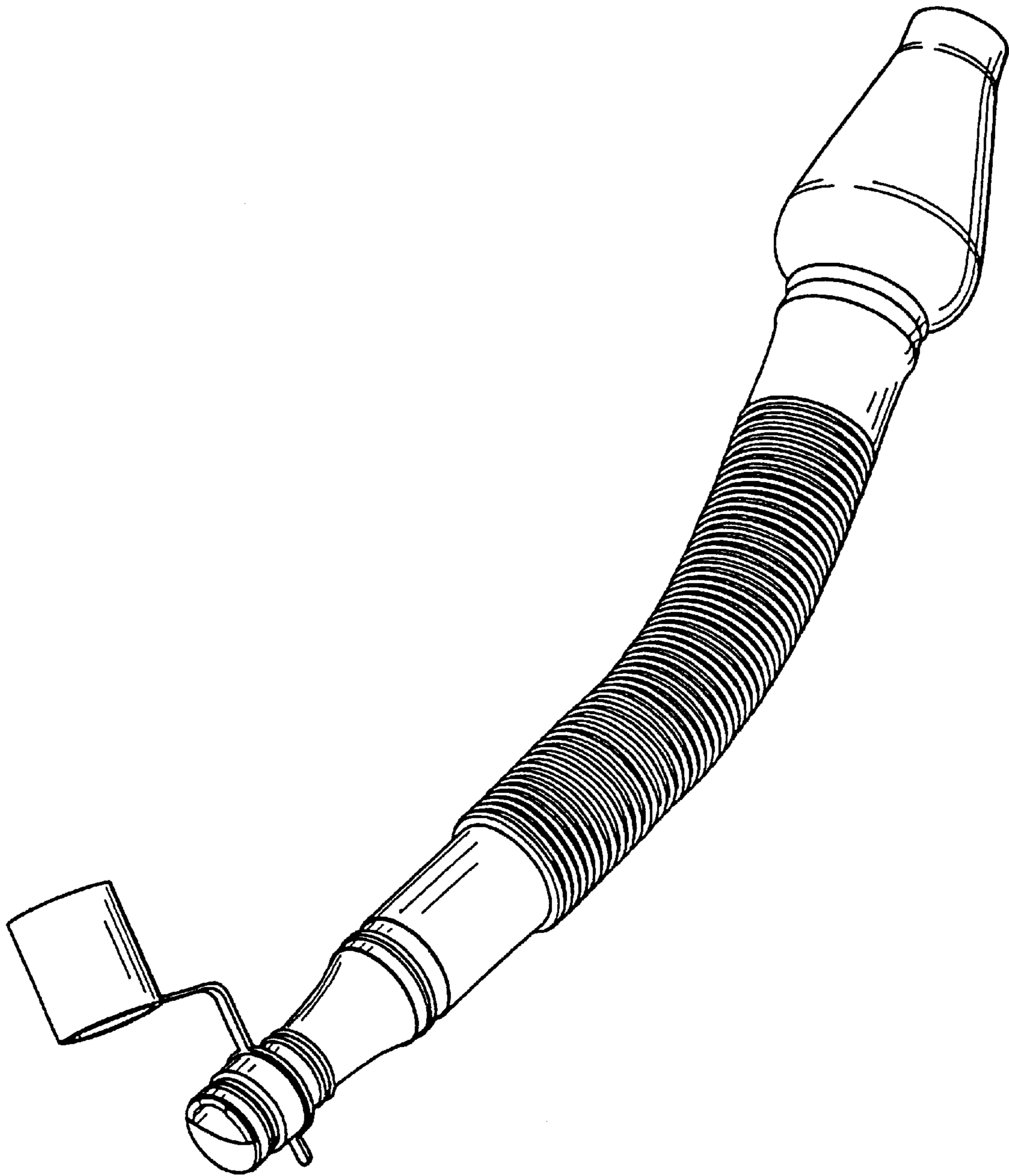


Fig.1

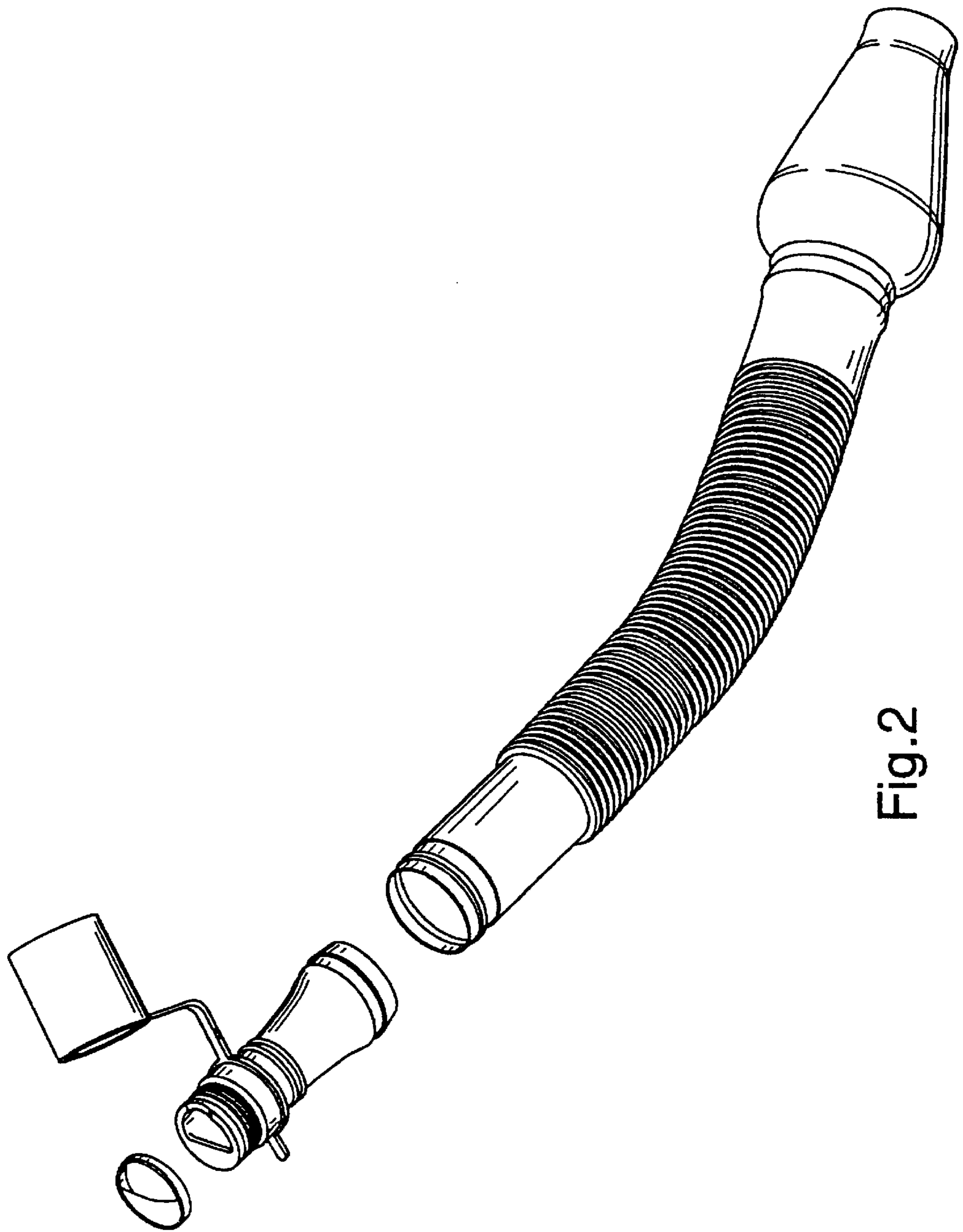


Fig.2

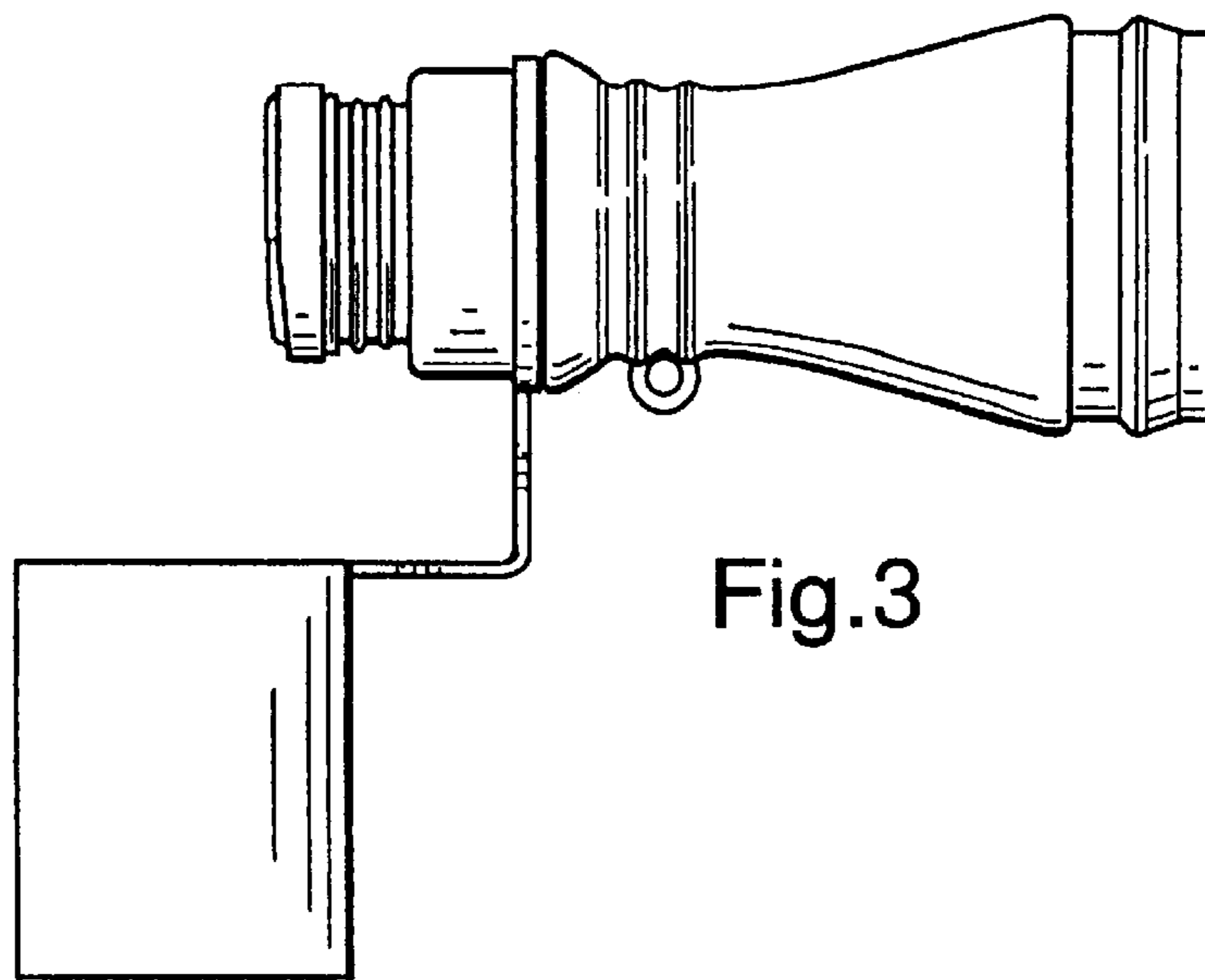


Fig.3

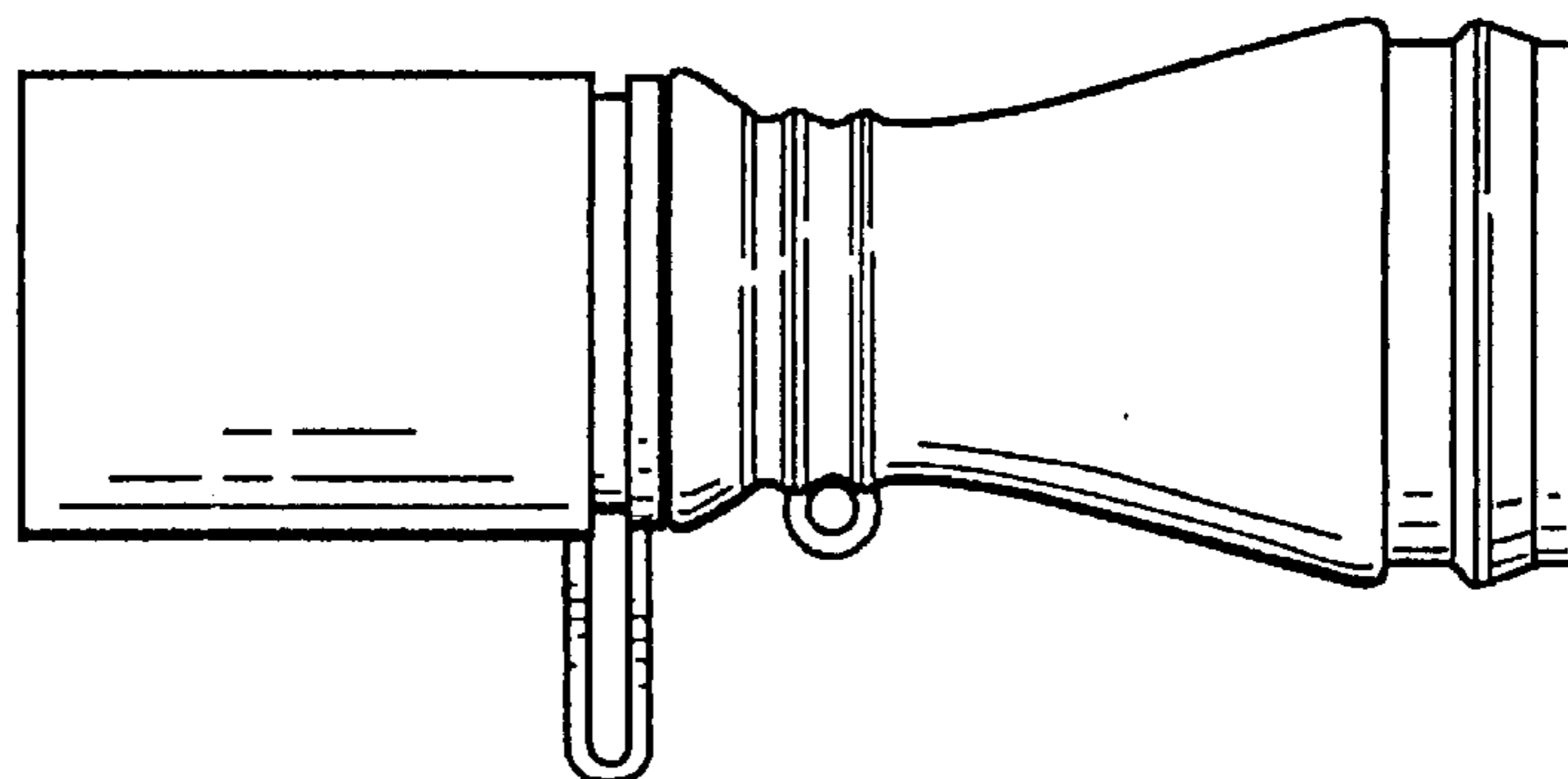


Fig.4

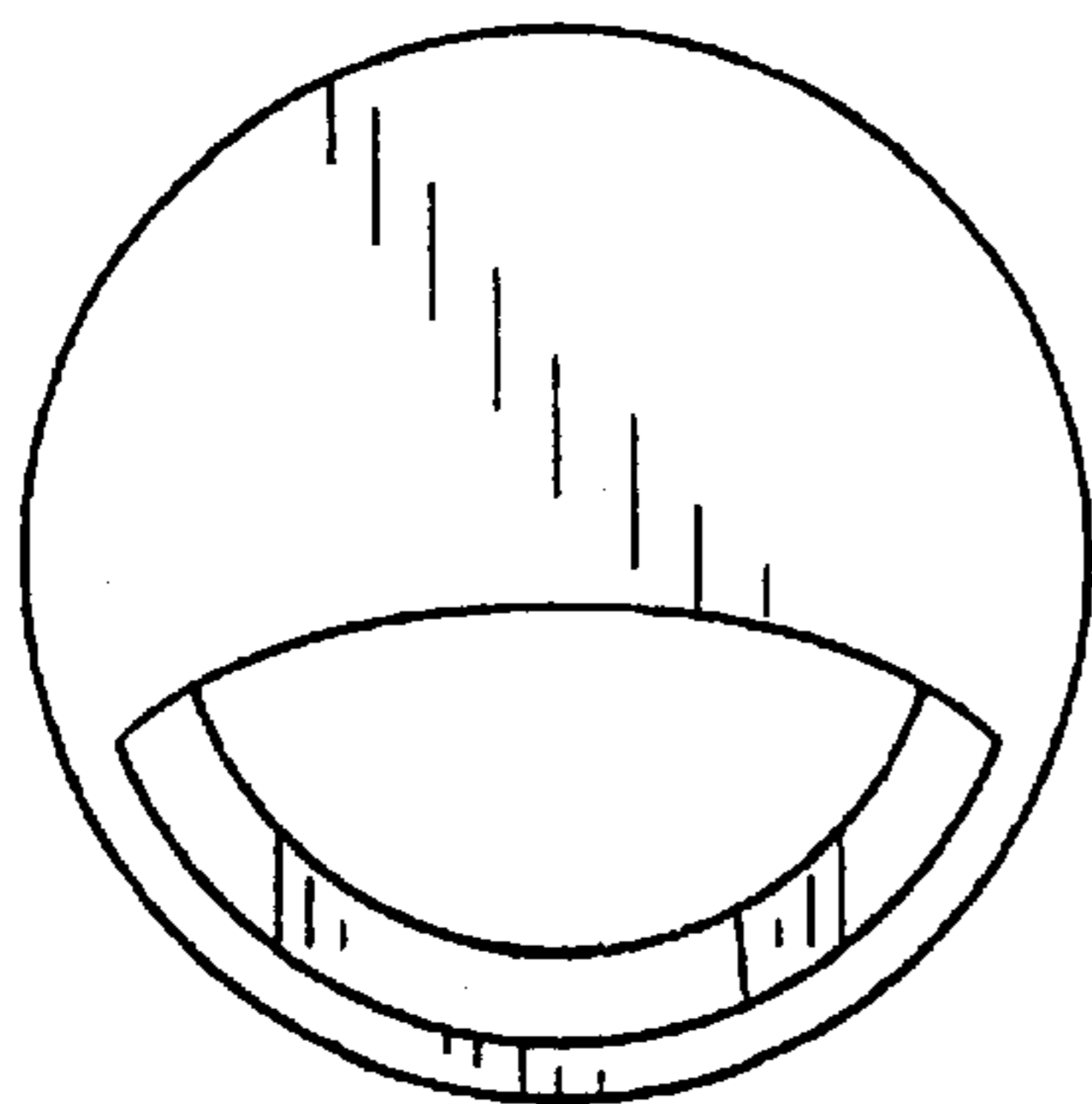


Fig.5

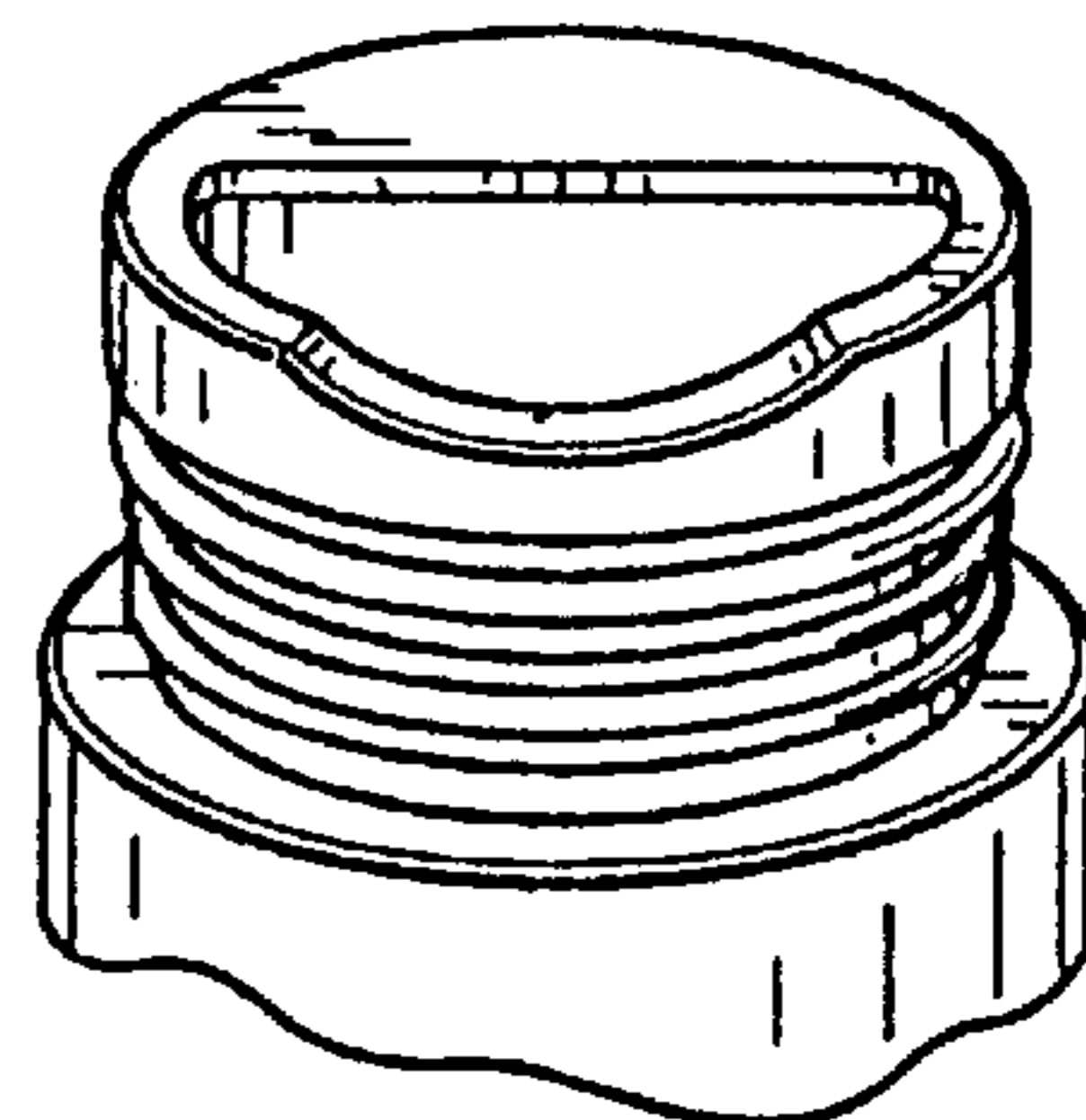


Fig.6

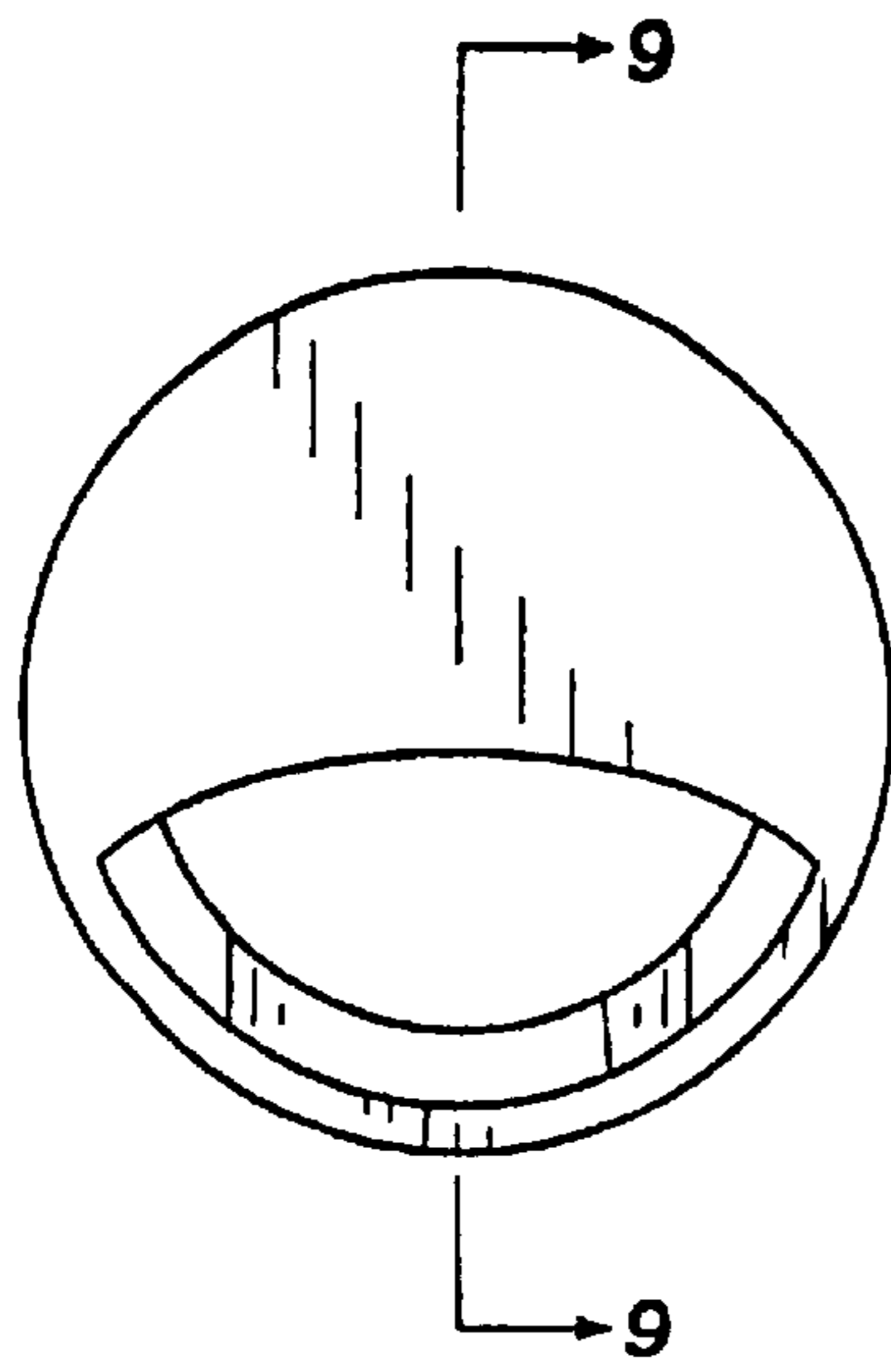


Fig.7

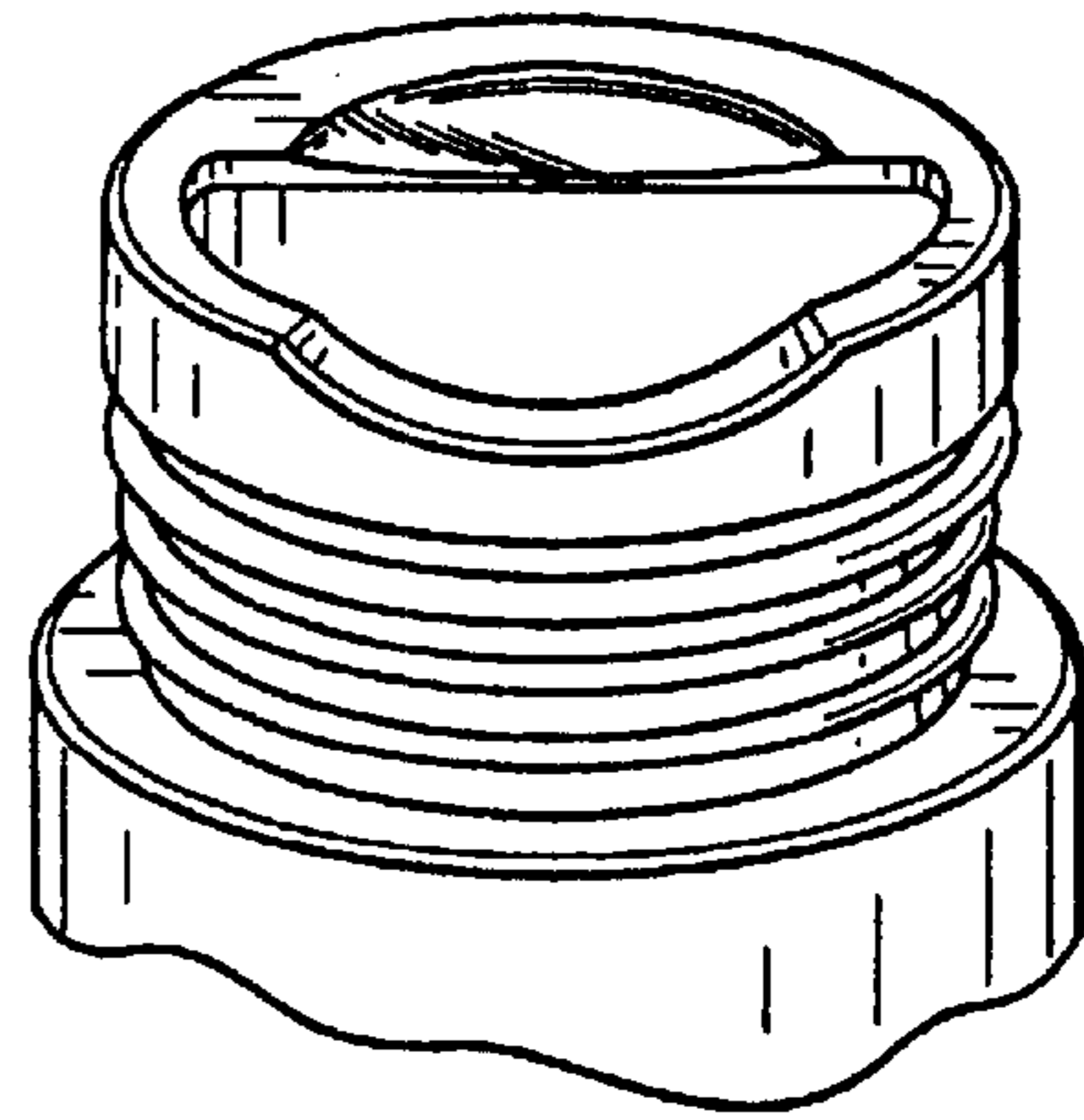


Fig.8

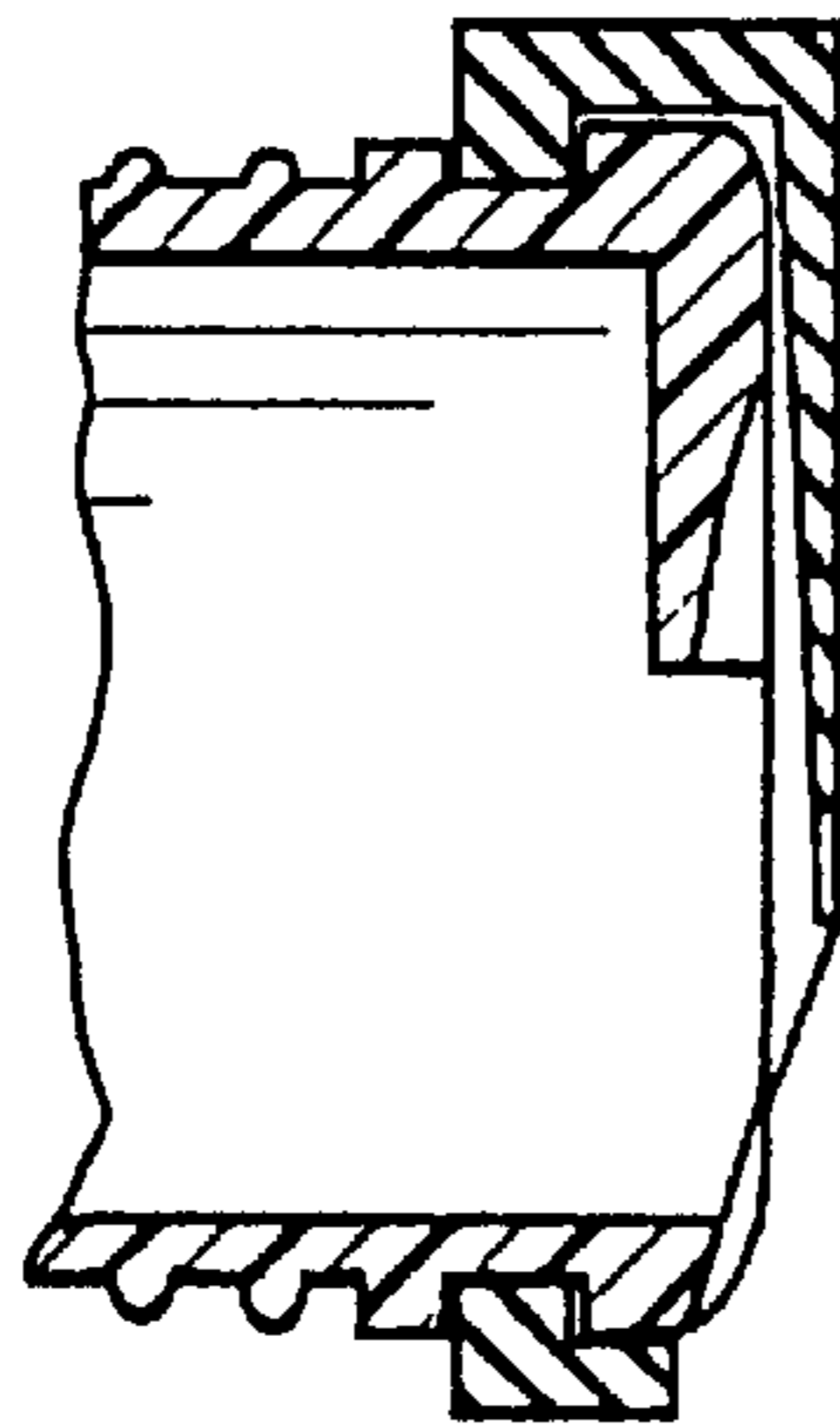


Fig.9

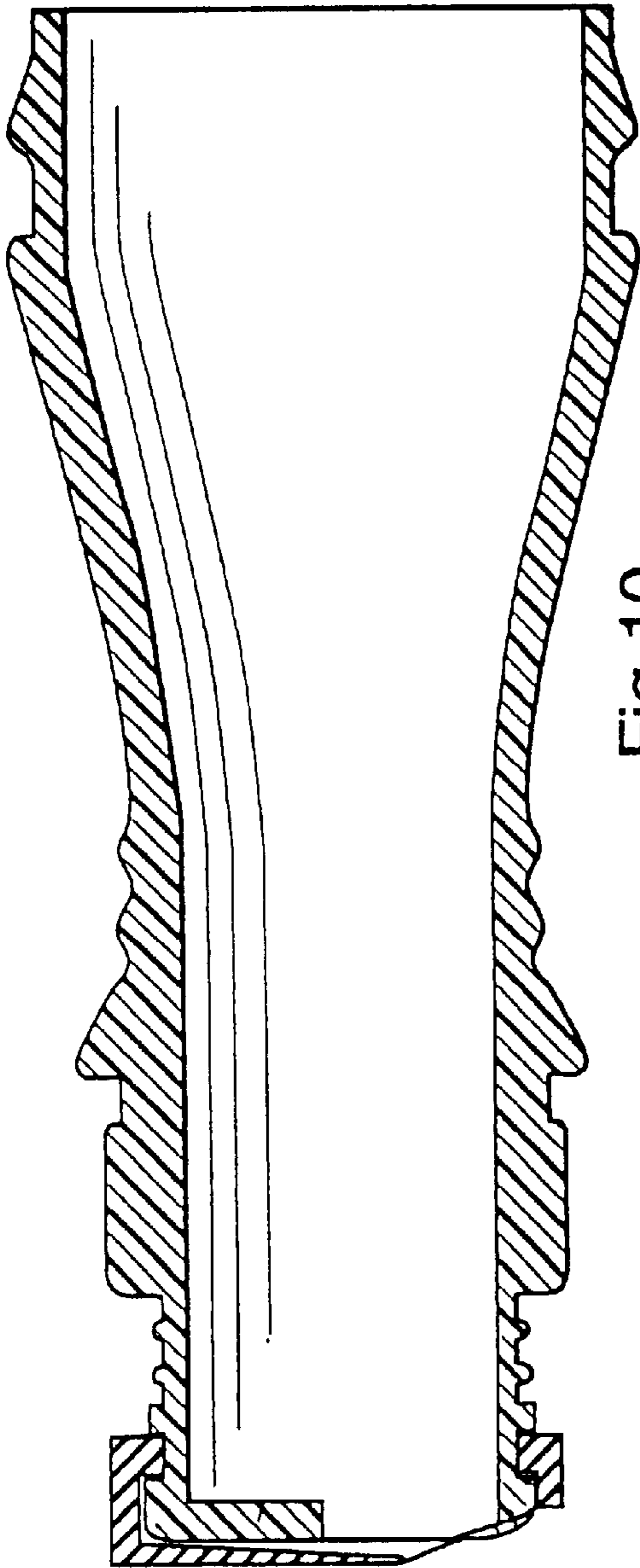


Fig. 10

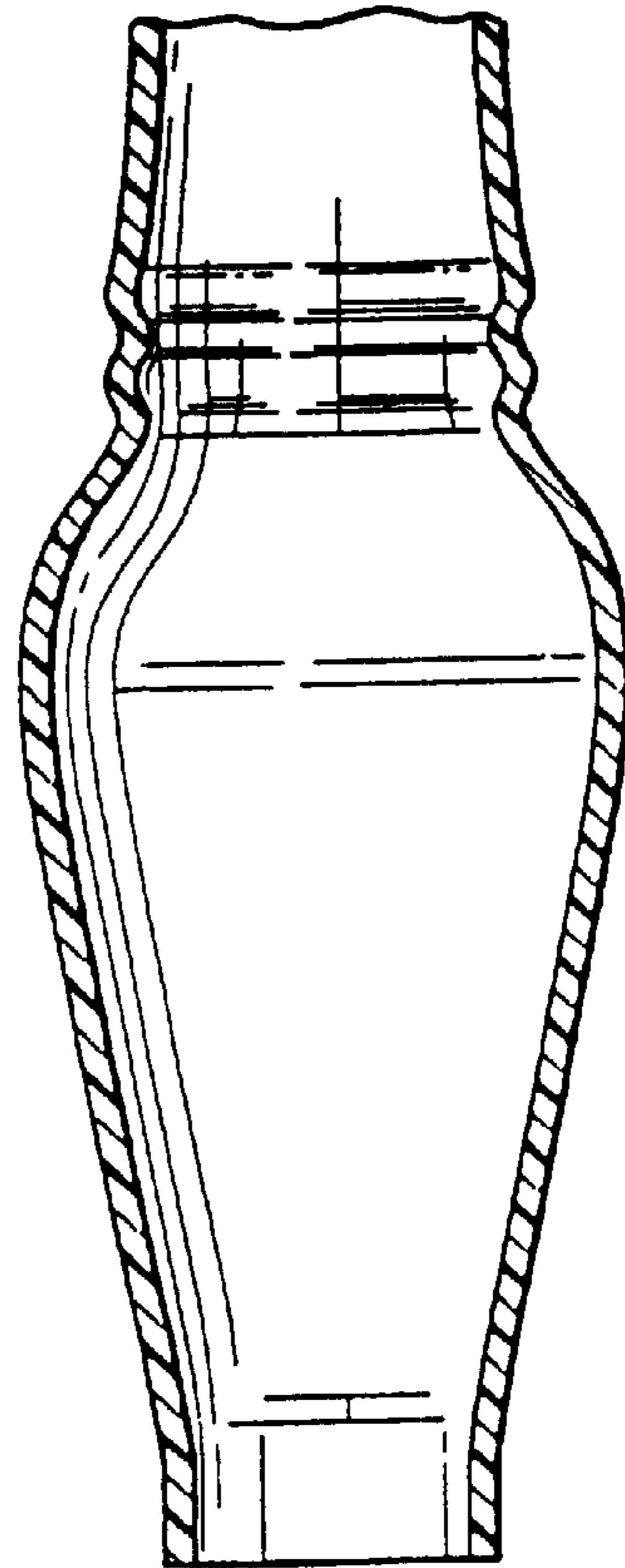


Fig. 16

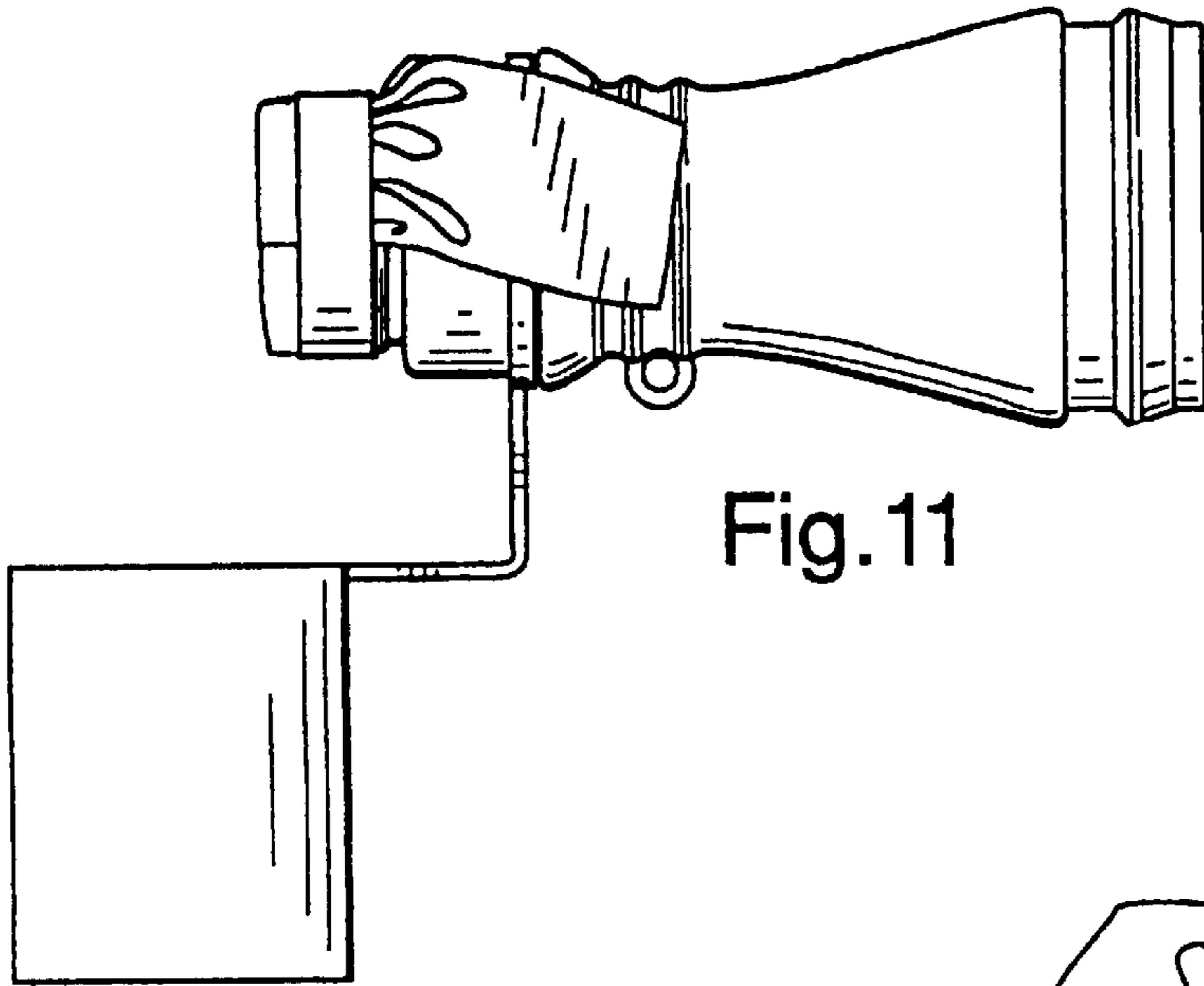


Fig. 11

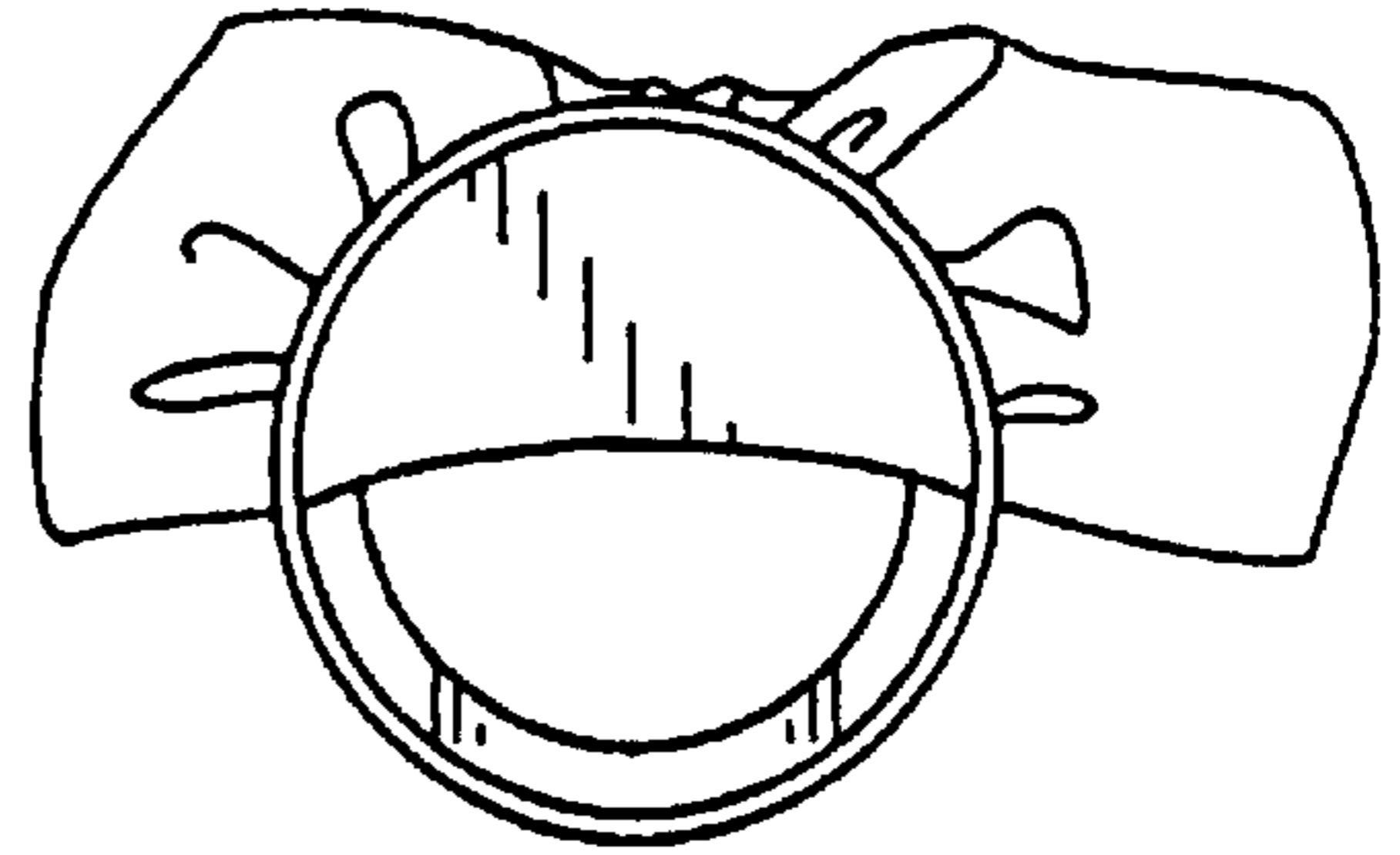


Fig. 12

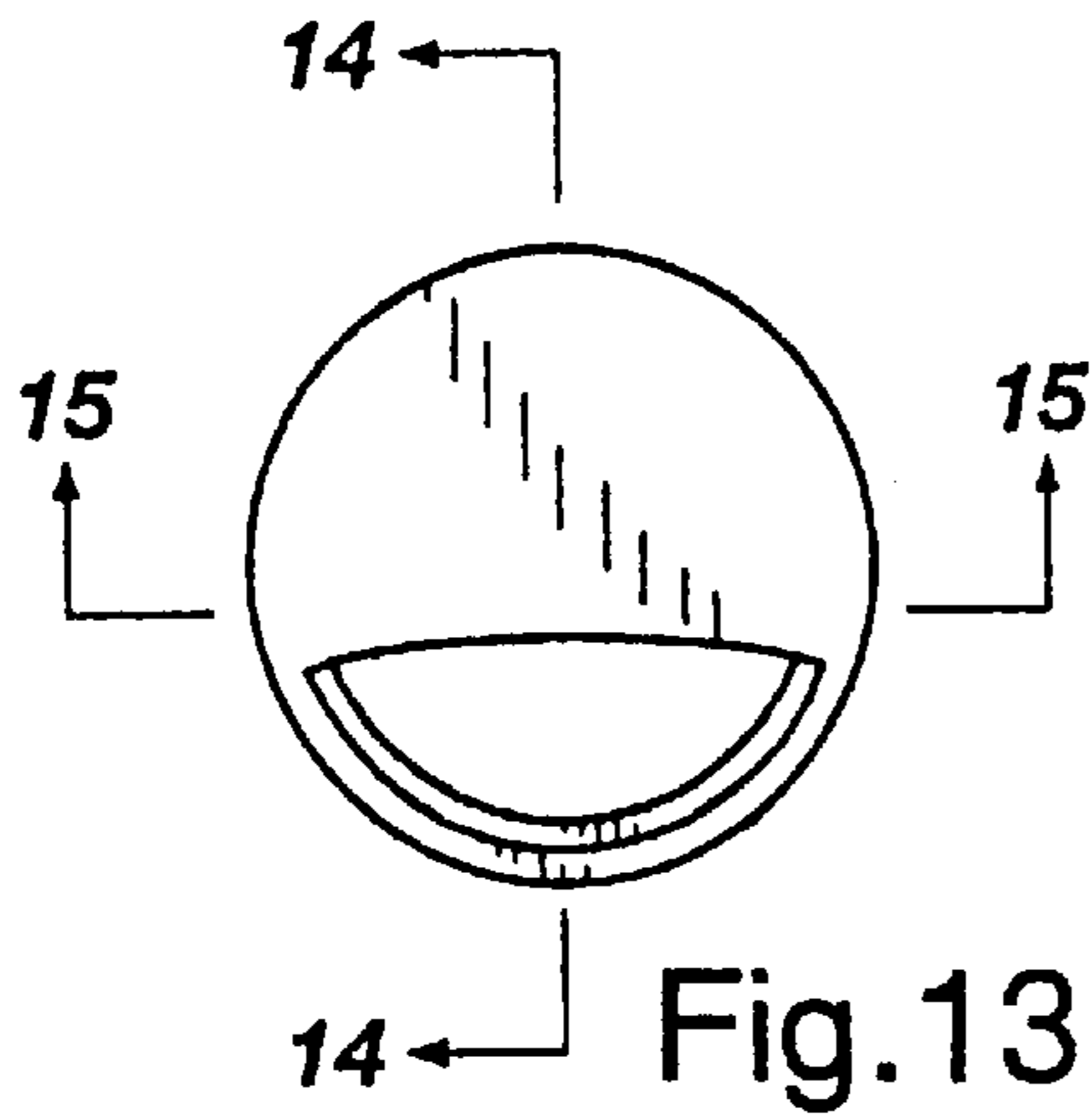


Fig. 13

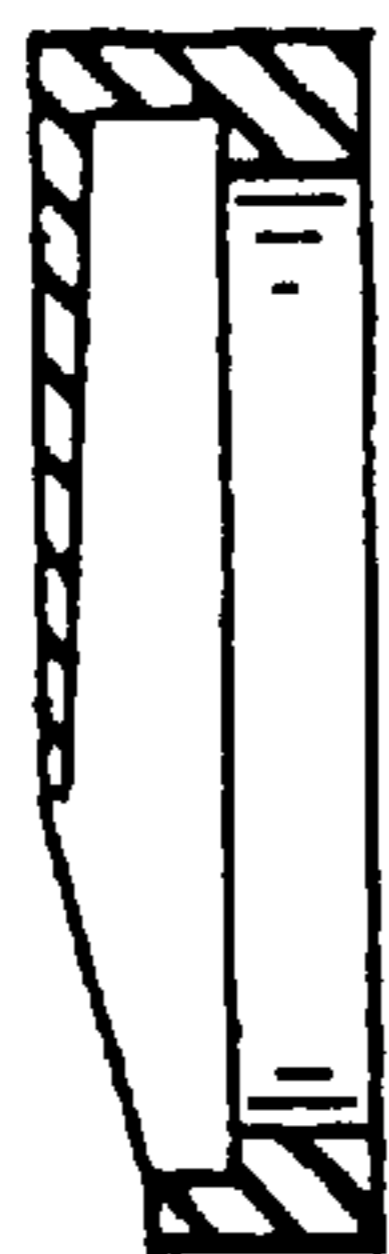


Fig. 14



Fig. 15

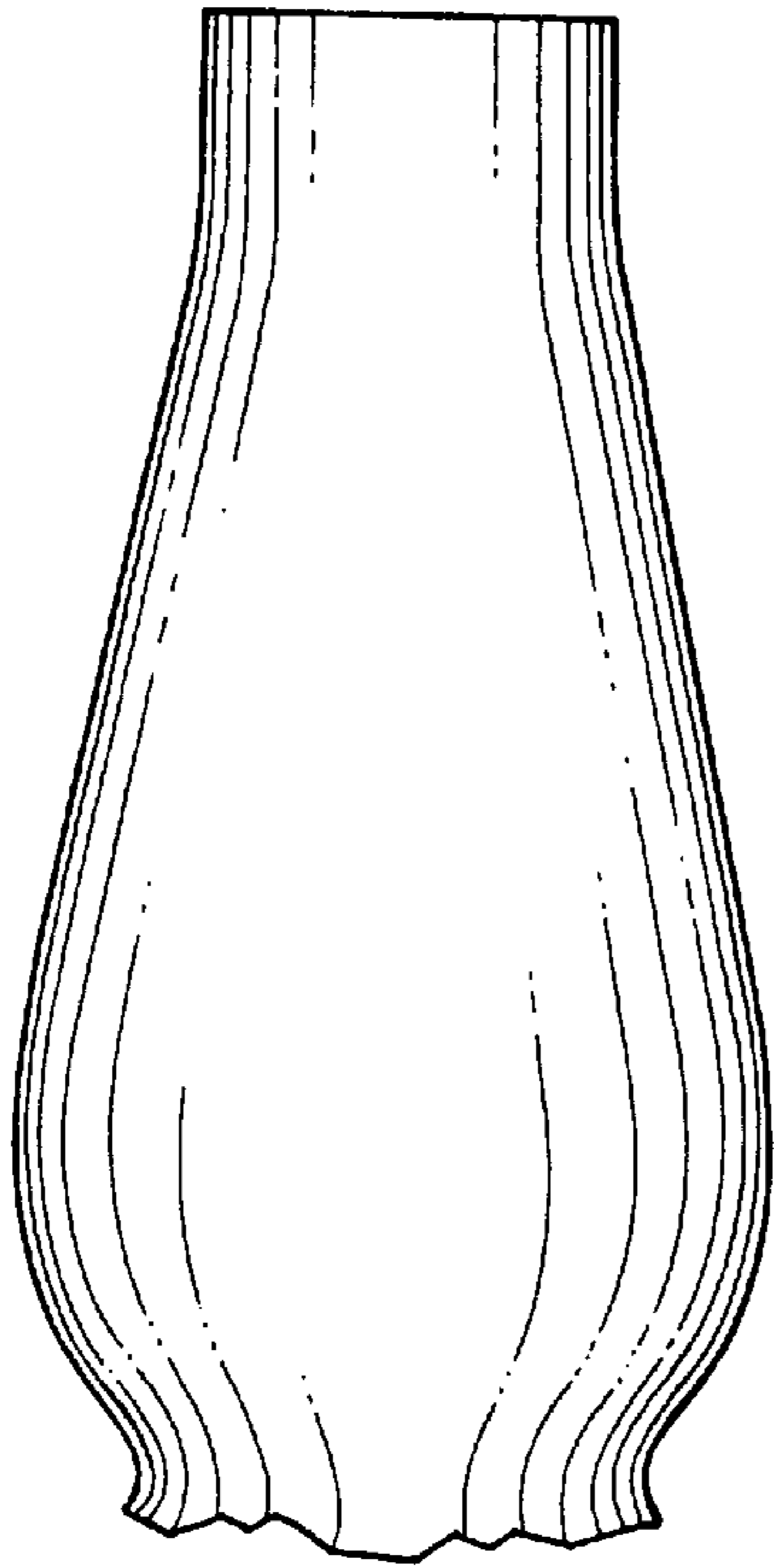


Fig. 18

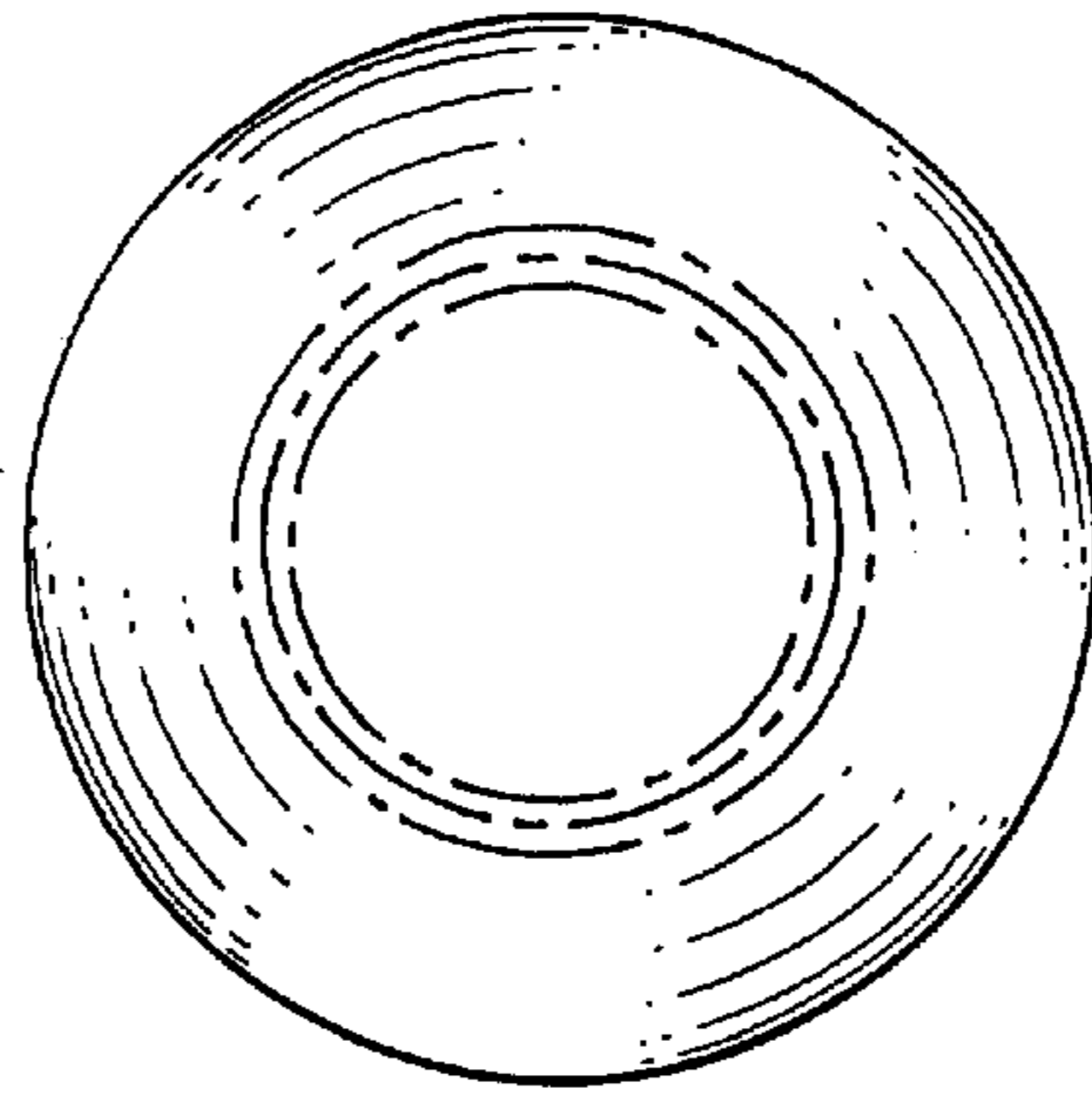


Fig. 20

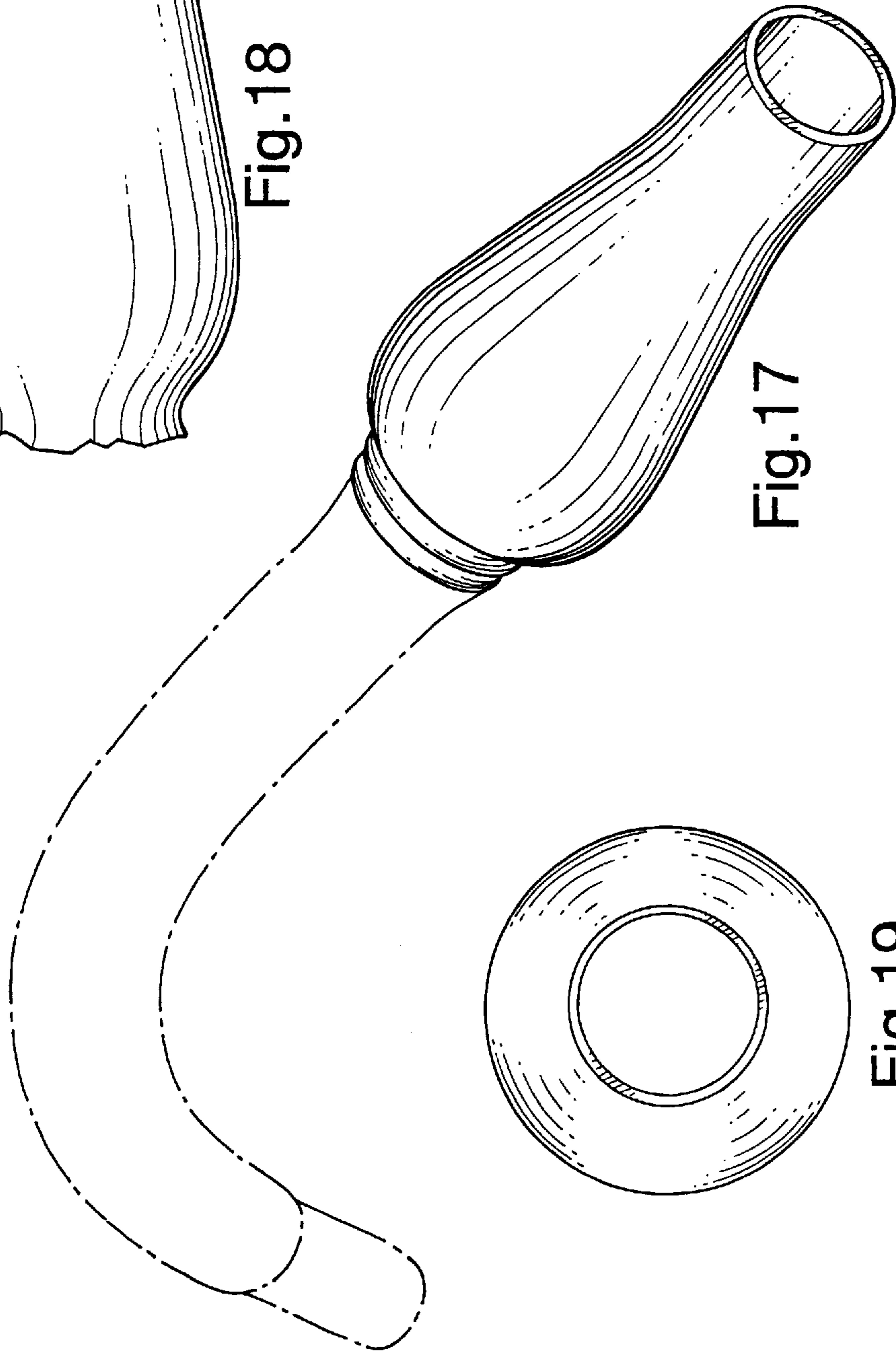


Fig. 17

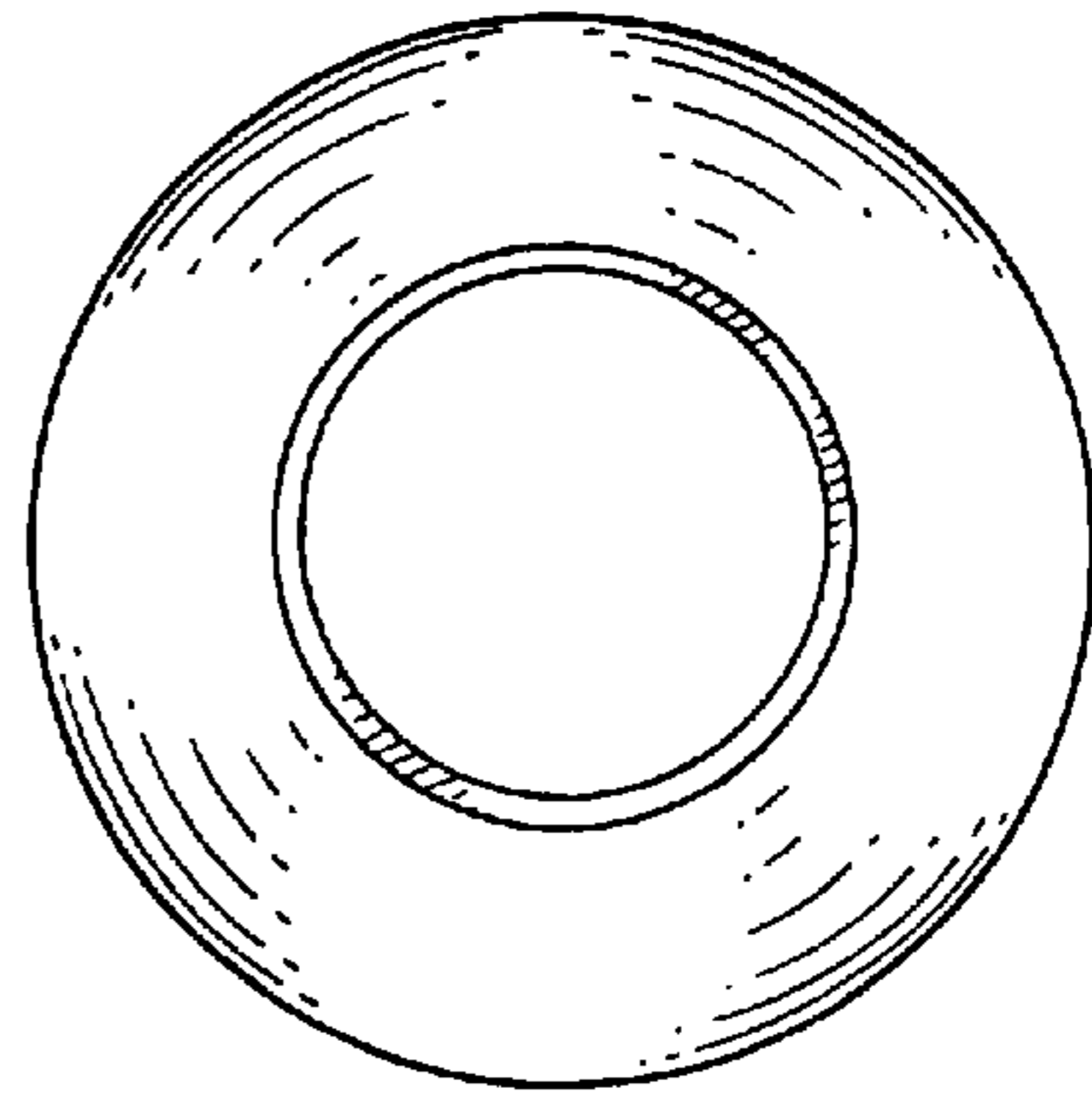


Fig. 19