



US00D470066S

(12) **United States Design Patent**
Christiansen

(10) **Patent No.:** **US D470,066 S**

(45) **Date of Patent:** **** Feb. 11, 2003**

(54) **FLOW METER END FITTING WITH INTEGRAL TUBE CONNECTOR-VERSION 3**

(76) Inventor: **Tom Christiansen**, 6012 S. Newlin, Apt. D, Whittier, CA (US) 90601

(**) Term: **14 Years**

(21) Appl. No.: **29/159,006**

(22) Filed: **Apr. 12, 2002**

(51) **LOC (7) Cl.** **10-04**

(52) **U.S. Cl.** **D10/103; D10/96**

(58) **Field of Search** **D10/96, 103; D15/199; 222/207, 212, 215, 355, 361, 378, 380, 383.1, 567, 568**

(56) **References Cited**

U.S. PATENT DOCUMENTS

6,343,716 B1 * 2/2002 Haudin et al. 222/212 X

* cited by examiner

Primary Examiner—Antoine Duval Davis

(57) **CLAIM**

The ornamental design for a “flow meter end fitting with integral tube connector-version 3”, as shown and described.

DESCRIPTION

FIG. 1 is a perspective view of a flow meter end fitting with integral tubing connector-version 3 showing my new design; FIG. 2 is a rear perspective view of a flow meter end fitting with integral tubing connector-version 3; FIG. 3 is a right side elevational view, left side elevational being a mirrored image thereof; FIG. 4 is a front elevational view thereof; FIG. 5 is a rear elevational view thereof; FIG. 6 is a top plan view thereof; and, FIG. 7 is a bottom plan view thereof.

1 Claim, 3 Drawing Sheets

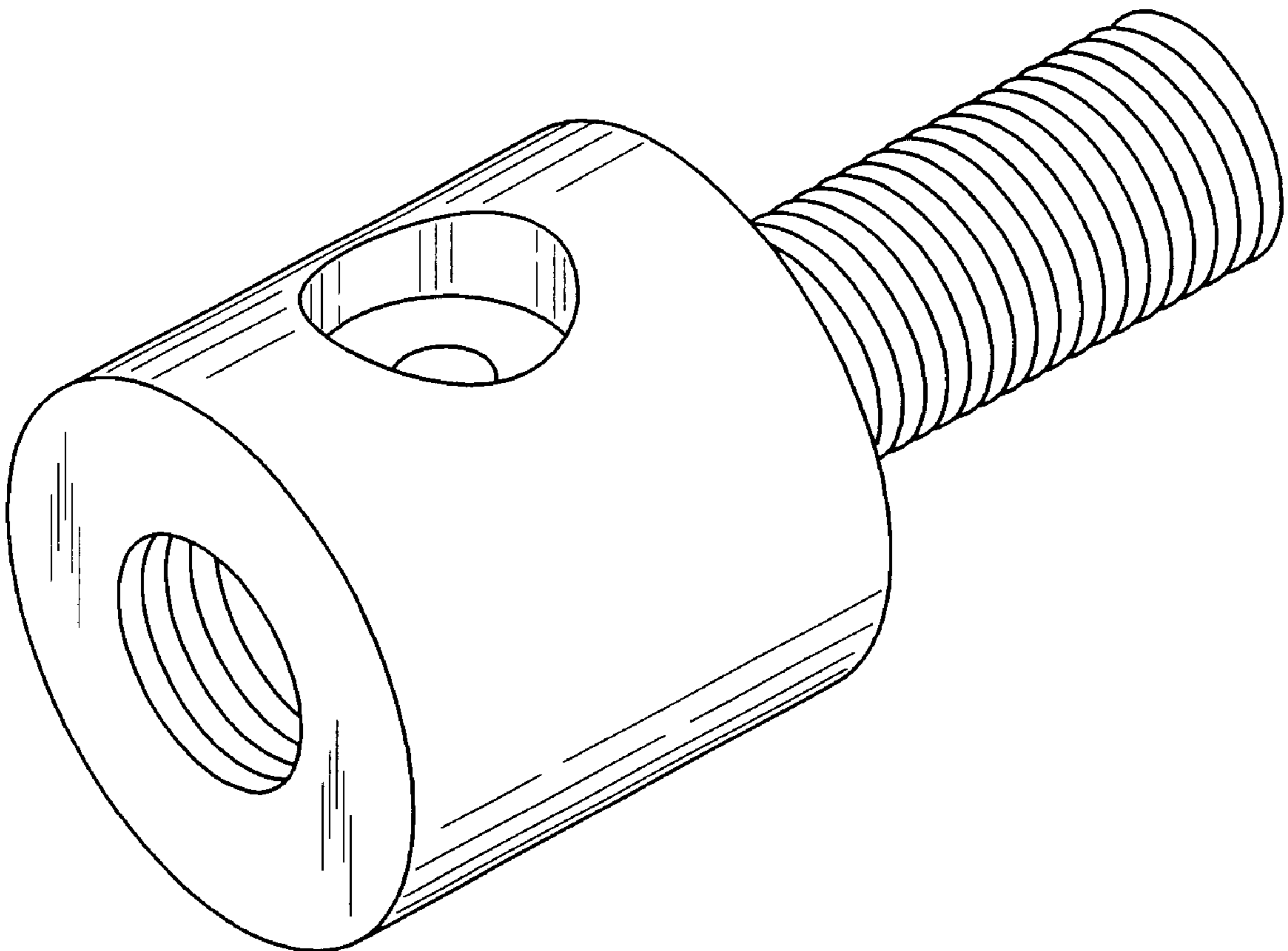


Fig. 1

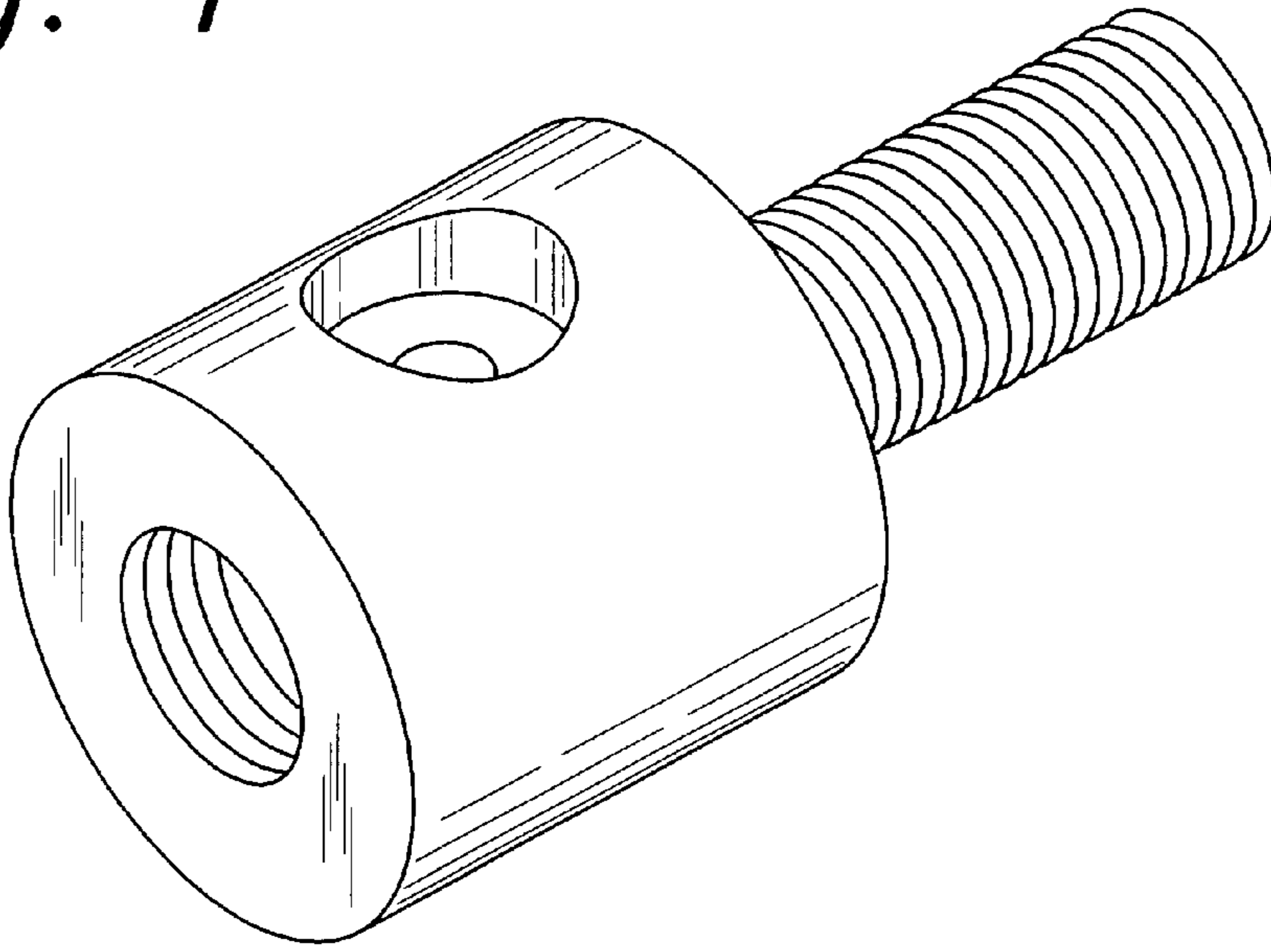


Fig. 2

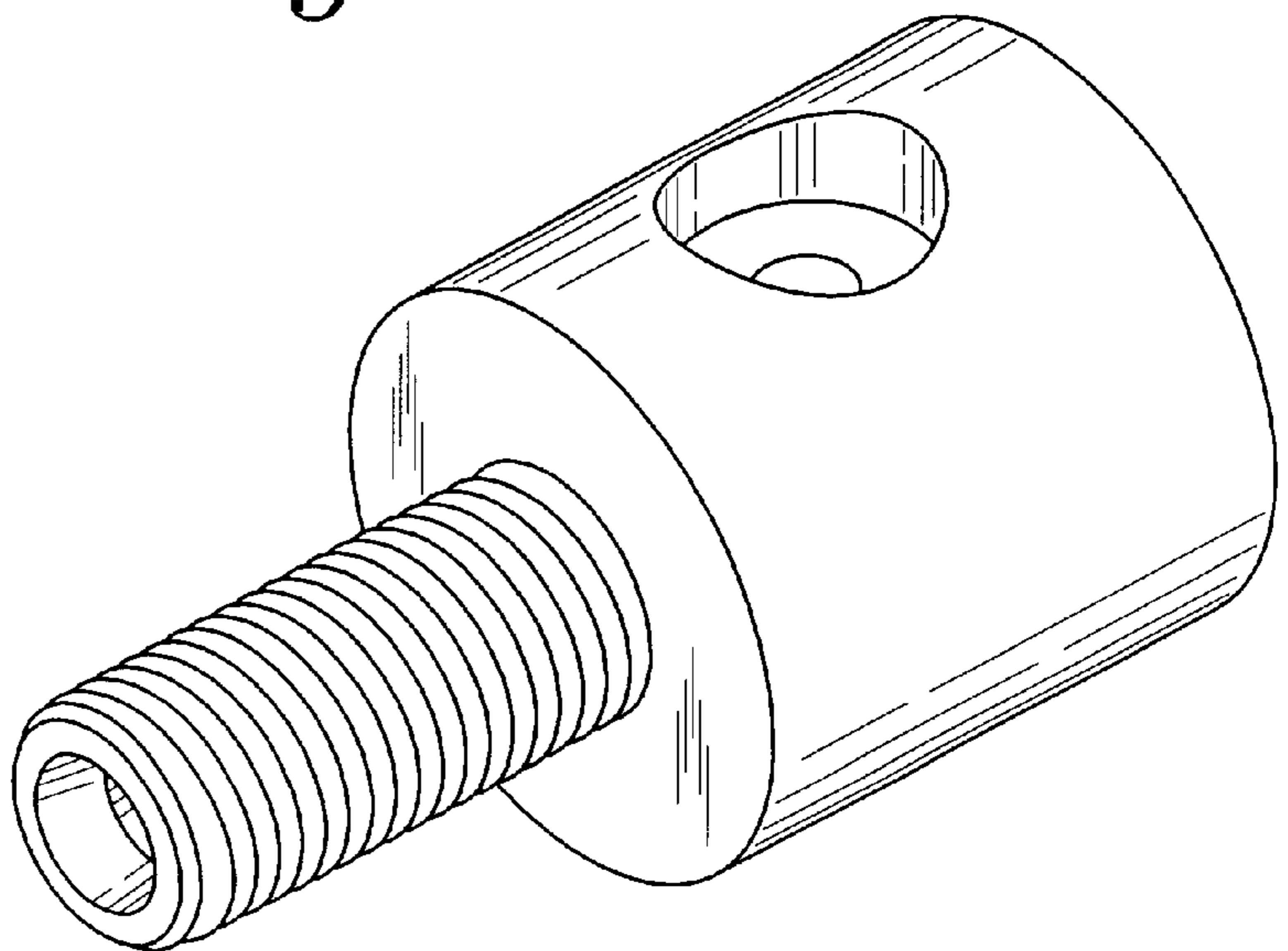


Fig. 3

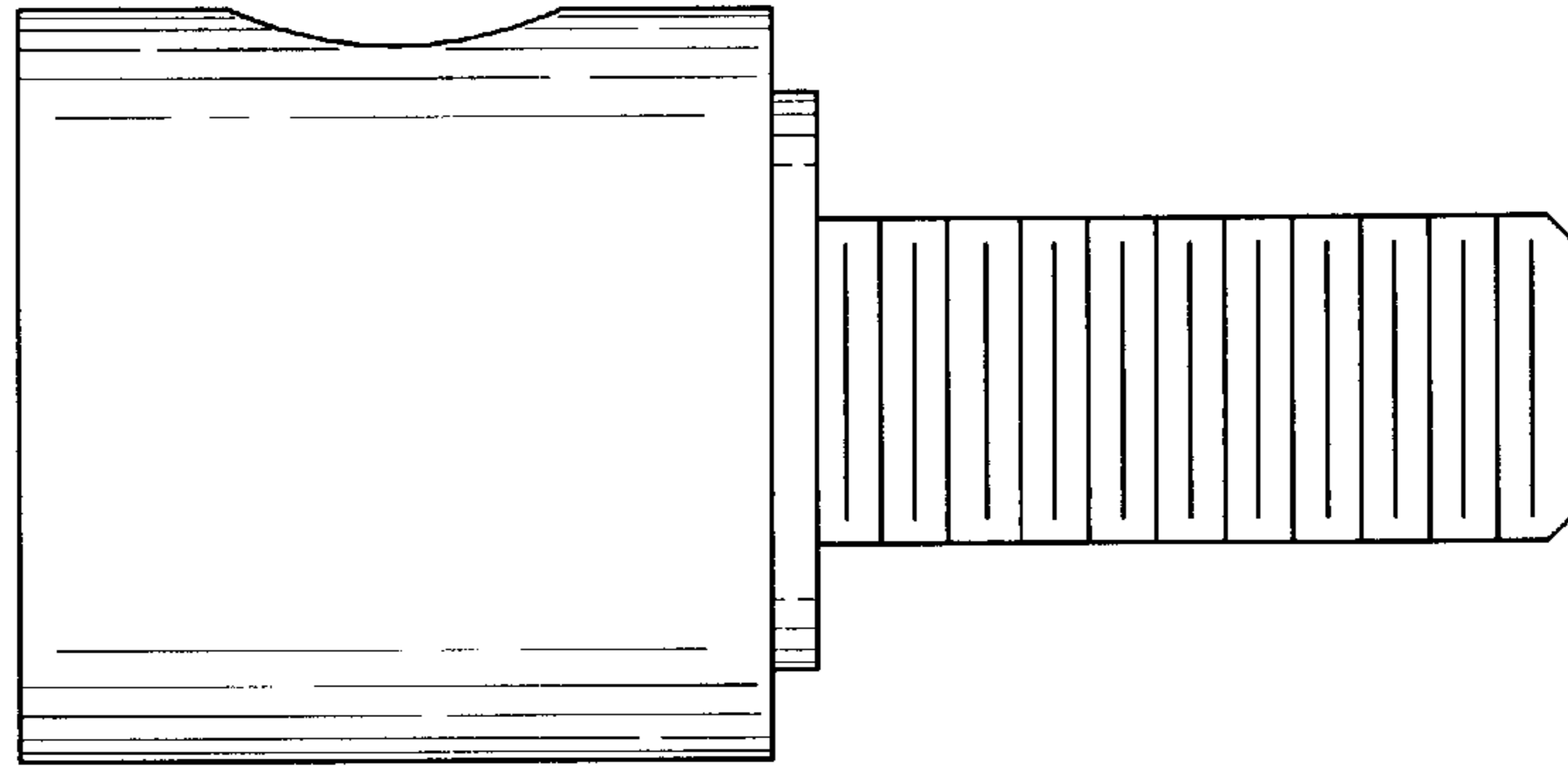


Fig. 4

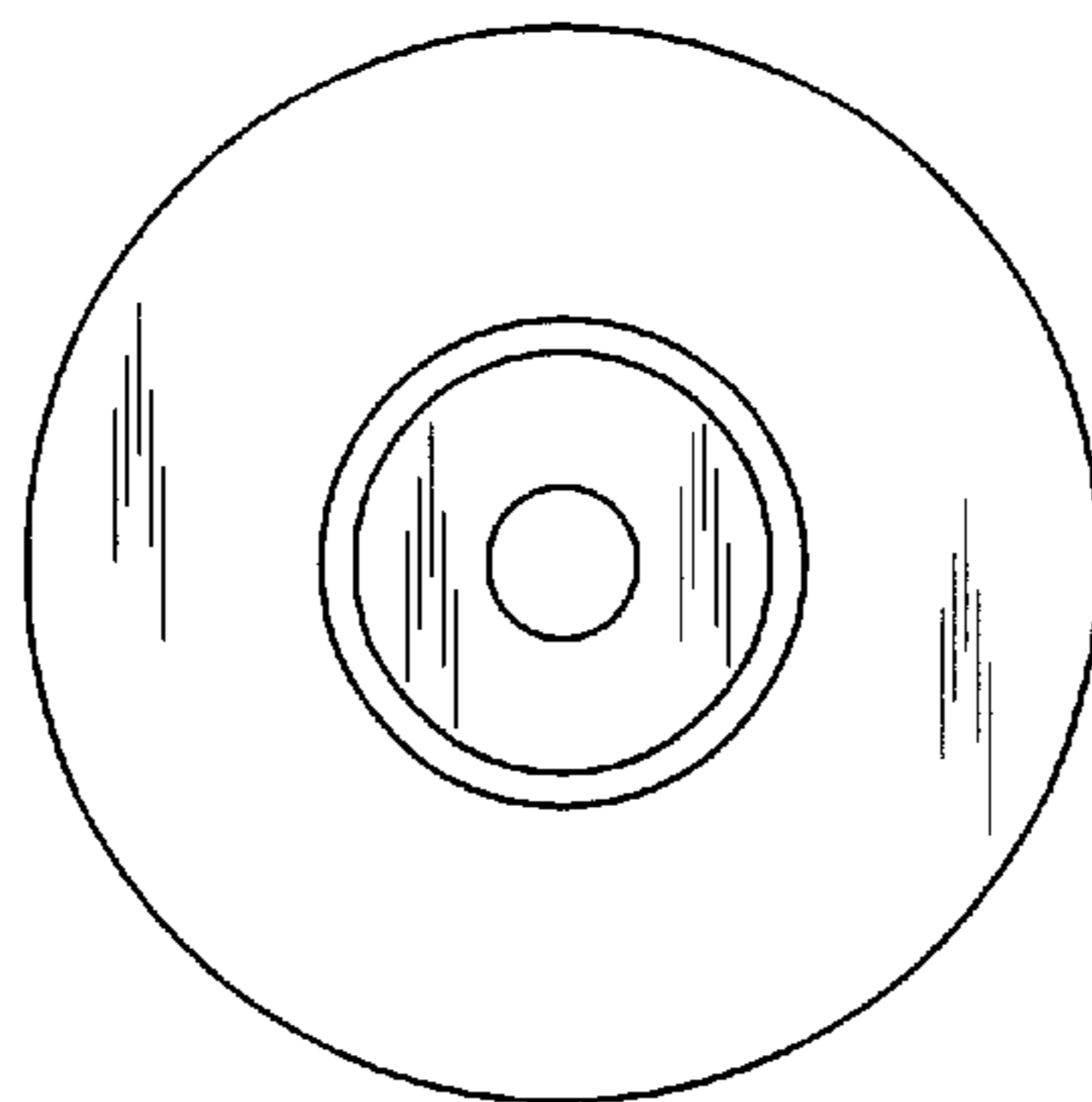


Fig. 5

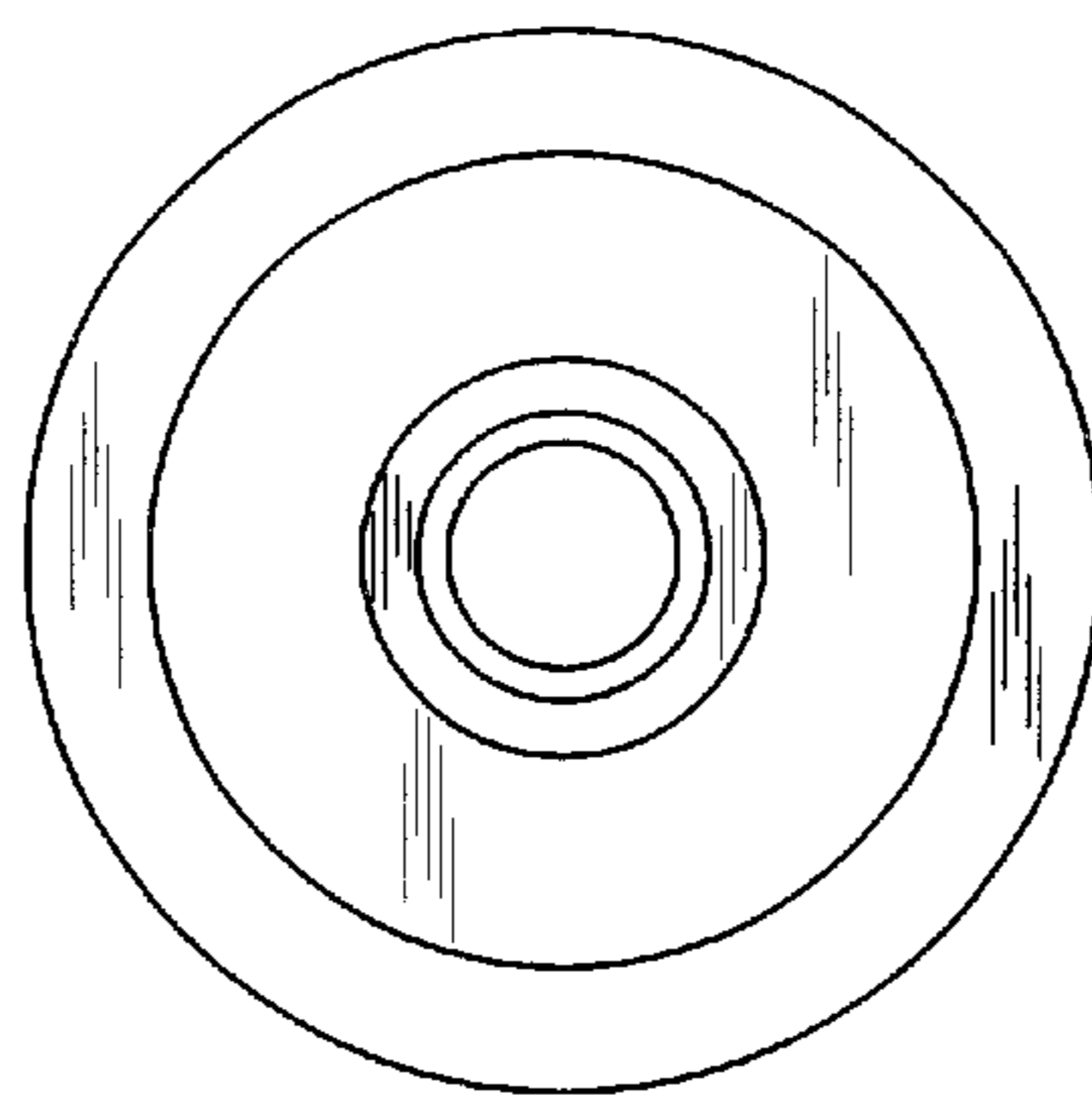


Fig. 6

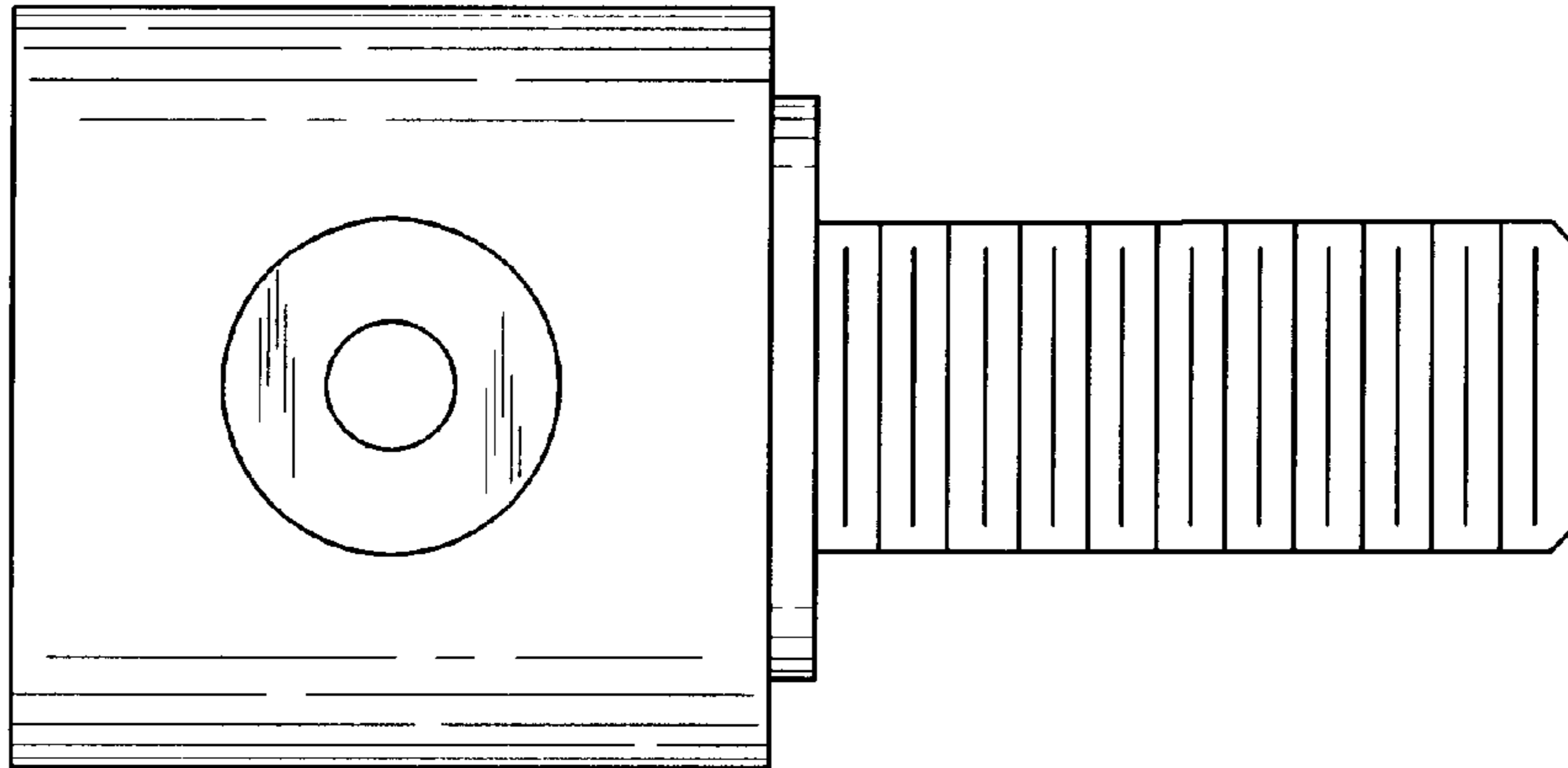


Fig. 7

