



US00D470065S

(12) **United States Design Patent**
Christiansen

(10) **Patent No.:** **US D470,065 S**

(45) **Date of Patent:** **** Feb. 11, 2003**

(54) **MINIATURE CAGE VALVE FOR LOW FLOW ROTAMETER**

5,778,918 A * 7/1998 McLelland 137/15.02

* cited by examiner

(76) **Inventor:** **Tom Christiansen**, 6012 S. Newlin,
Apt. D, Whittier, CA (US) 90601

Primary Examiner—Antoine Duval Davis

(**) **Term:** **14 Years**

(57) **CLAIM**

The ornamental design for a “miniature cage valve for low flow rotameter”, as shown and described.

(21) **Appl. No.:** **29/156,808**

DESCRIPTION

(22) **Filed:** **Mar. 8, 2002**

(51) **LOC (7) Cl.** **10-04**

FIG. 1 is a perspective view of a miniature cage valve for low flow rotameter showing my new design;

(52) **U.S. Cl.** **D10/96**

FIG. 2 is a cross-section view of FIG. 1 thereof;

(58) **Field of Search** D10/96; 137/533.15,
137/533.19, 543, 543.19, 625.66, 625.68,
15.02, 15.21, 315.27, 533.11, 533.13

FIG. 3 is a top plan view, the bottom plan view being a mirrored image thereof;

(56) **References Cited**

FIG. 4 is a right side elevational view, the left side view being a mirrored image thereof;

U.S. PATENT DOCUMENTS

FIG. 5 is a front elevational view thereof; and,

5,507,312 A * 4/1996 Dillman 137/533.15

FIG. 6 is a rear elevational view thereof.

5,593,292 A * 1/1997 Ivey 137/533.15 X

1 Claim, 2 Drawing Sheets

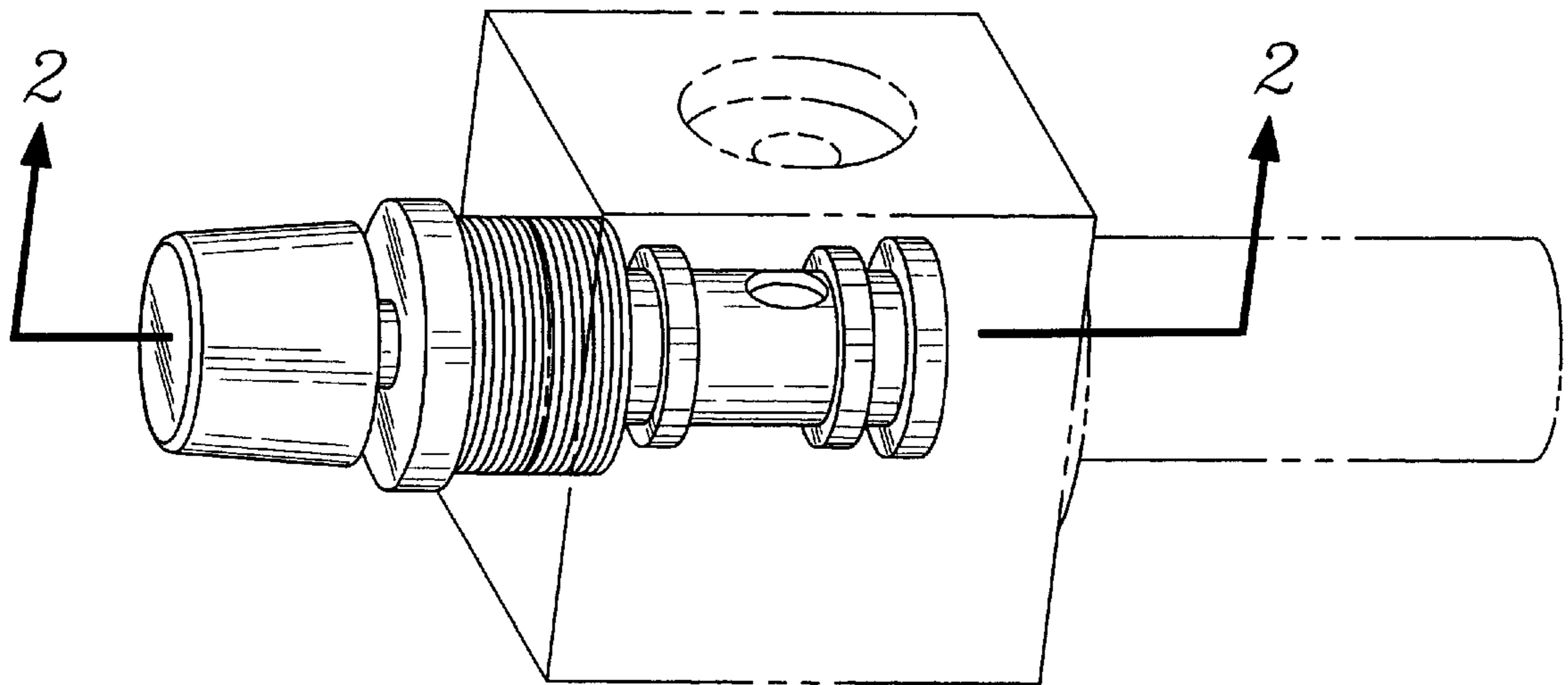


Fig. 1

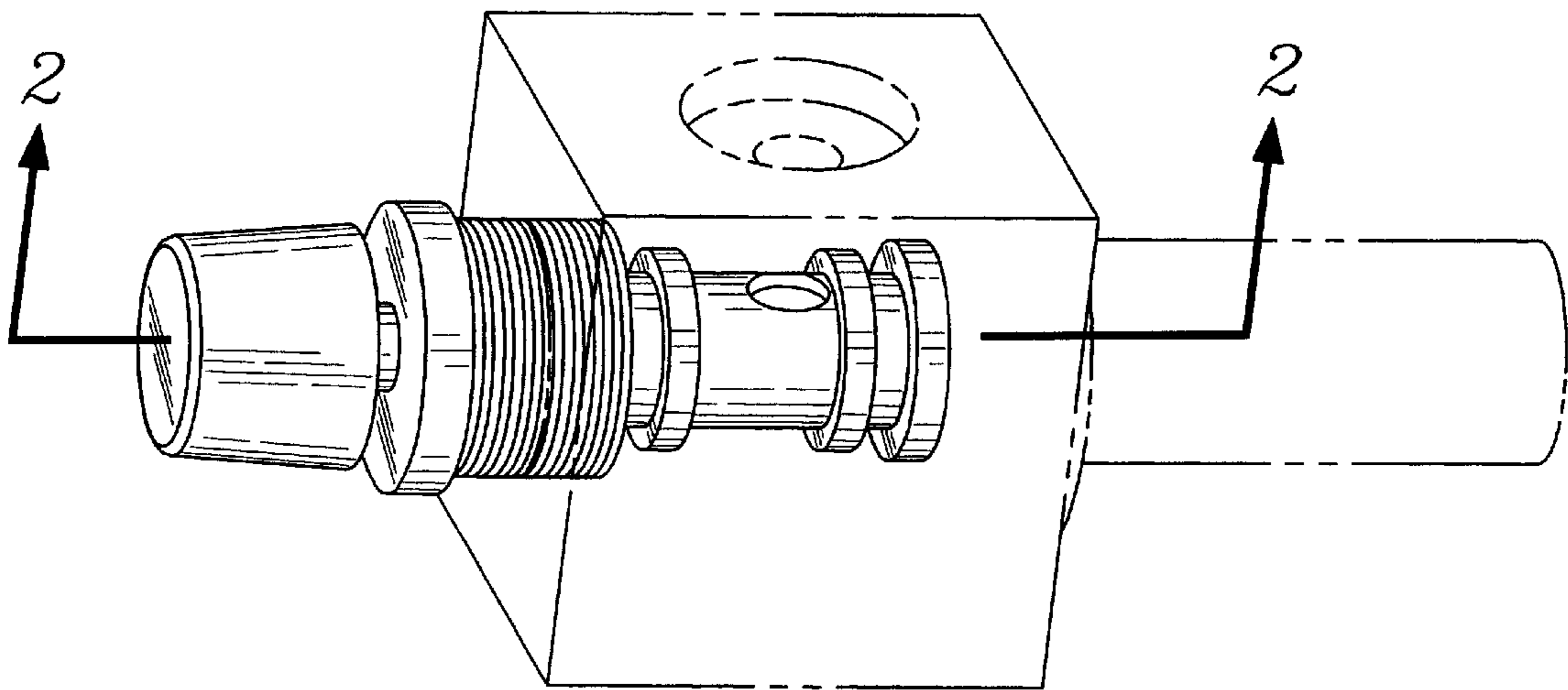


Fig. 2

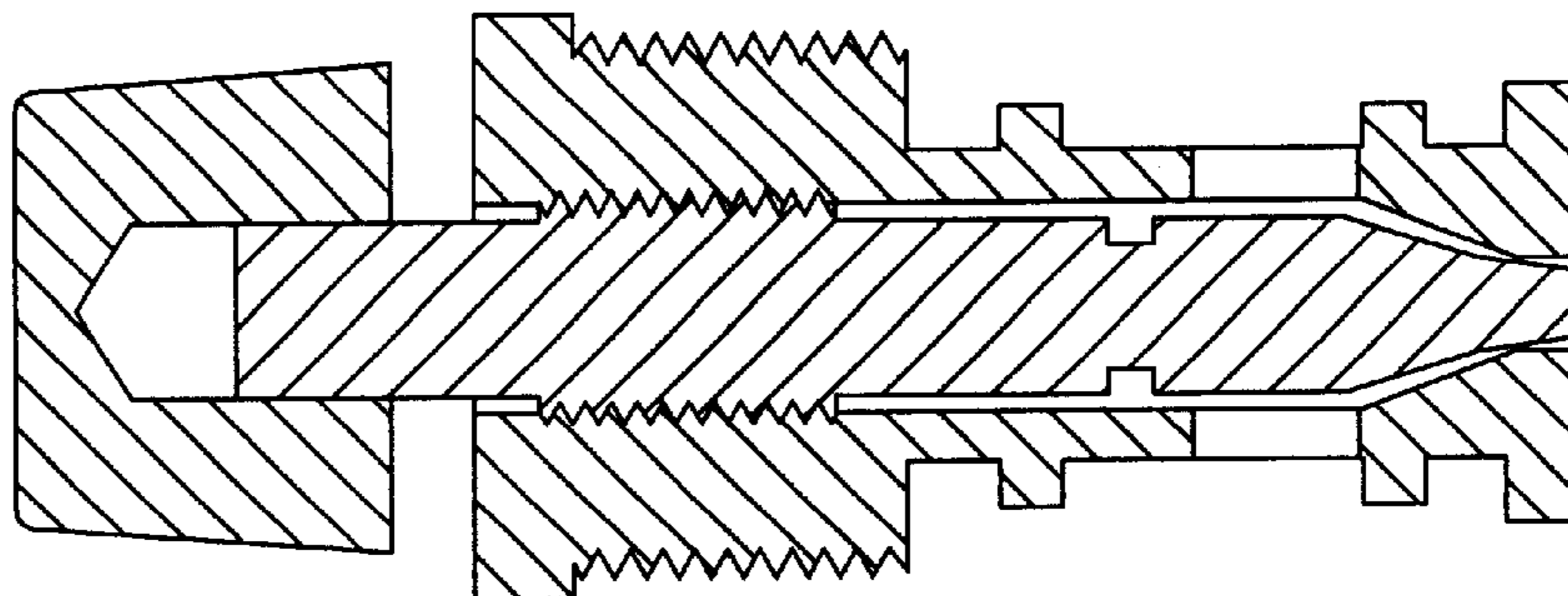


Fig. 3

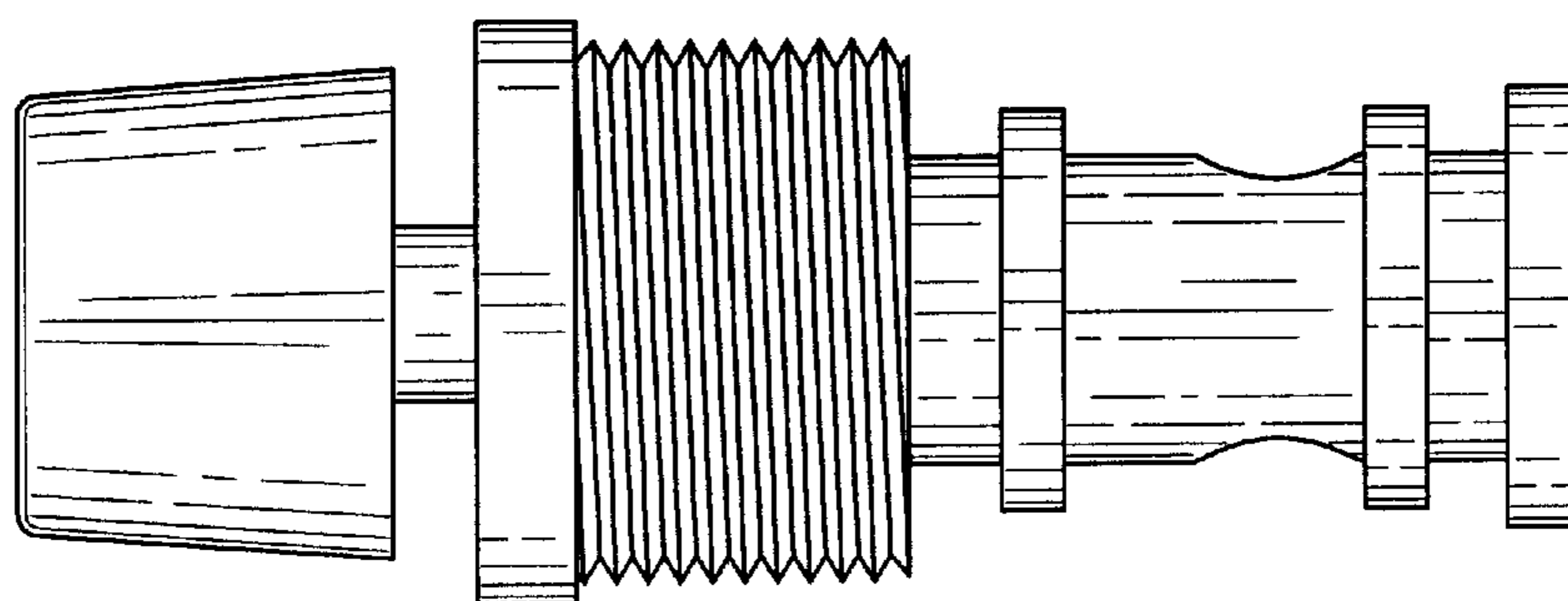


Fig. 4

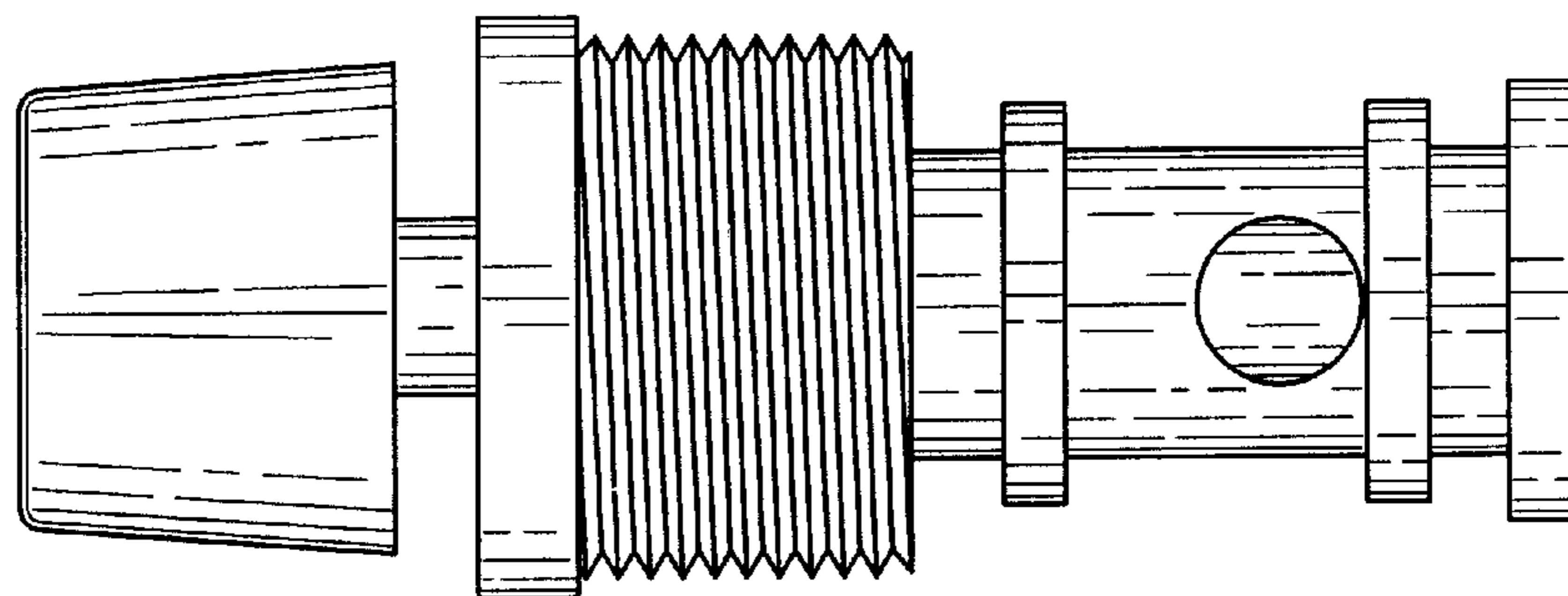


Fig. 5

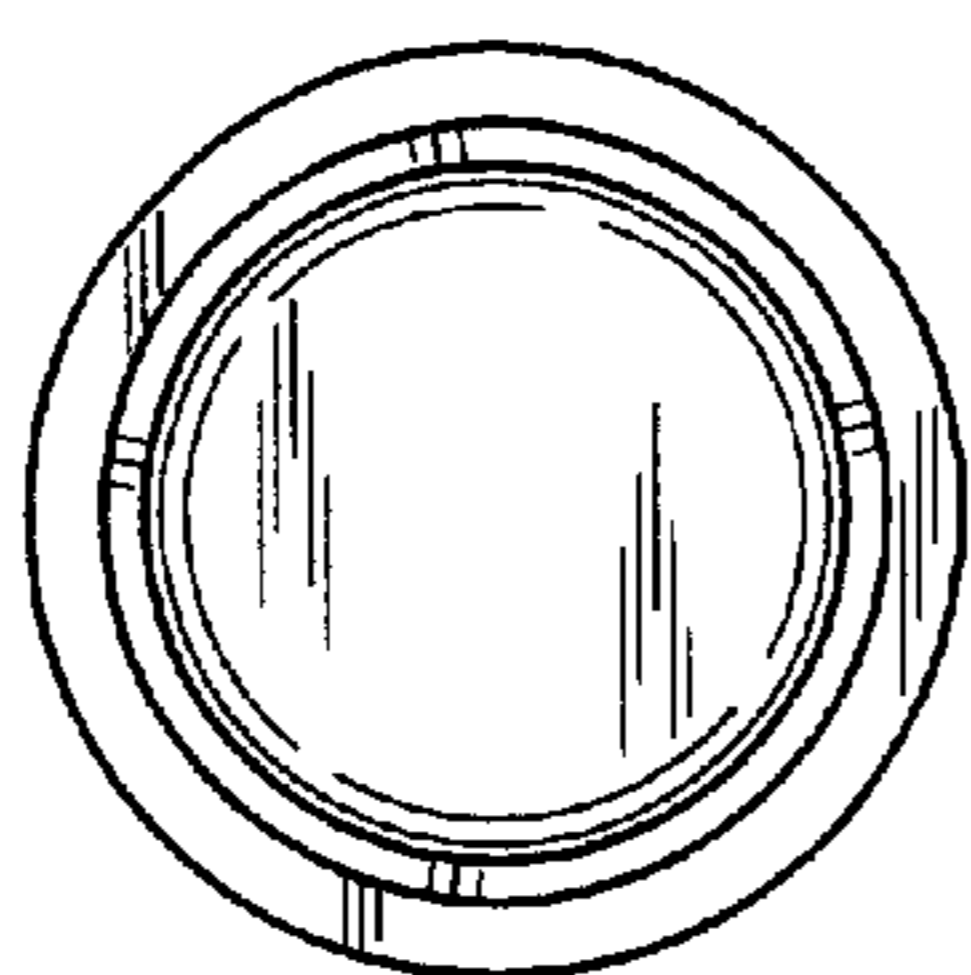


Fig. 6

