



US00D470064S

(12) **United States Design Patent**
Yoncuski

(10) **Patent No.:** **US D470,064 S**

(45) **Date of Patent:** **** Feb. 11, 2003**

(54) **PRESSURE CHECKING APPARATUS FOR SWIMMING POOL**

5,653,191 A 8/1997 Calhoun et al.

* cited by examiner

(76) Inventor: **James C. Yoncuski**, 1 Shady La.,
Danville, PA (US) 17821-1330

Primary Examiner—Antoine Duval Davis
(74) *Attorney, Agent, or Firm*—Gene Scott-Patent Law &
Venture Group

(**) Term: **14 Years**

(21) Appl. No.: **29/163,672**

(57) **CLAIM**

(22) Filed: **Jul. 8, 2002**

The ornamental design for a “pressure checking apparatus for swimming pool”, as shown and described.

(51) **LOC (7) Cl.** **10-04**

DESCRIPTION

(52) **U.S. Cl.** **D10/85**

(58) **Field of Search** D10/85; 73/744,
73/40.5, 431; 116/272

FIG. 1 is a front elevational view of a pressure checking apparatus for swimming pool, showing my new design; FIG. 2 is a rear elevational view thereof; FIG. 3 is a right side elevation view thereof; FIG. 4 is a left side elevation view thereof; FIG. 5 is a top plan view thereof; and, FIG. 6 is a bottom plan view thereof.

(56) **References Cited**

U.S. PATENT DOCUMENTS

D254,781 S	*	4/1980	Holm	D10/85
4,527,429 A	*	7/1985	Combost et al.	73/744
5,201,212 A		4/1993	Williams		
D353,113 S		12/1994	Cook-Martin		

1 Claim, 3 Drawing Sheets

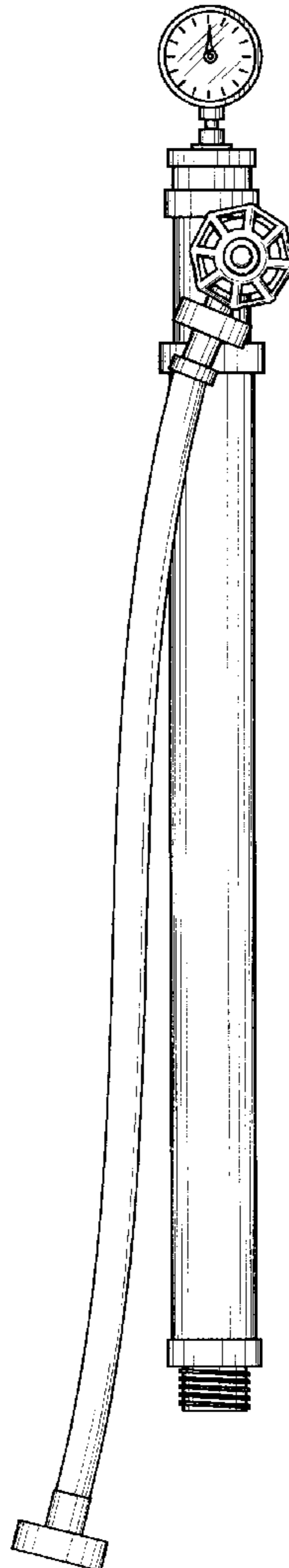


Fig. 1

Fig. 2

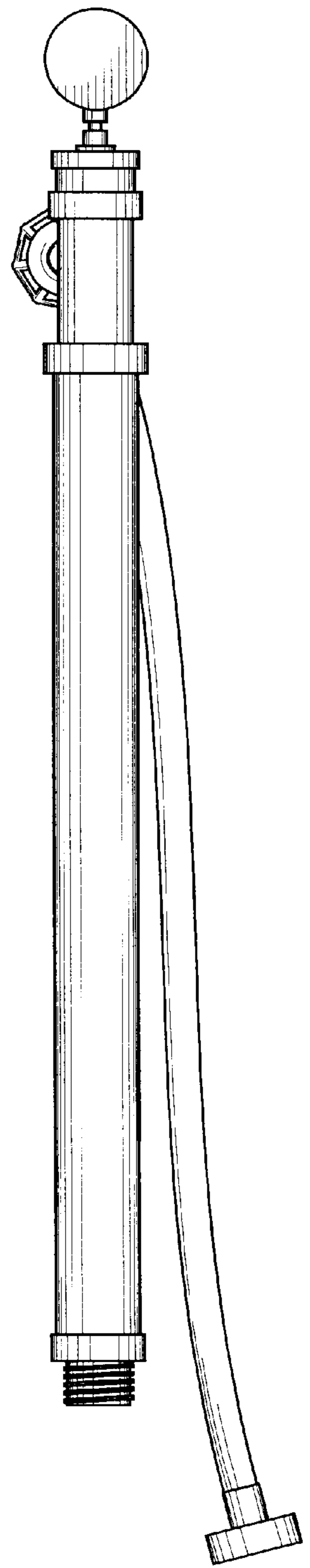
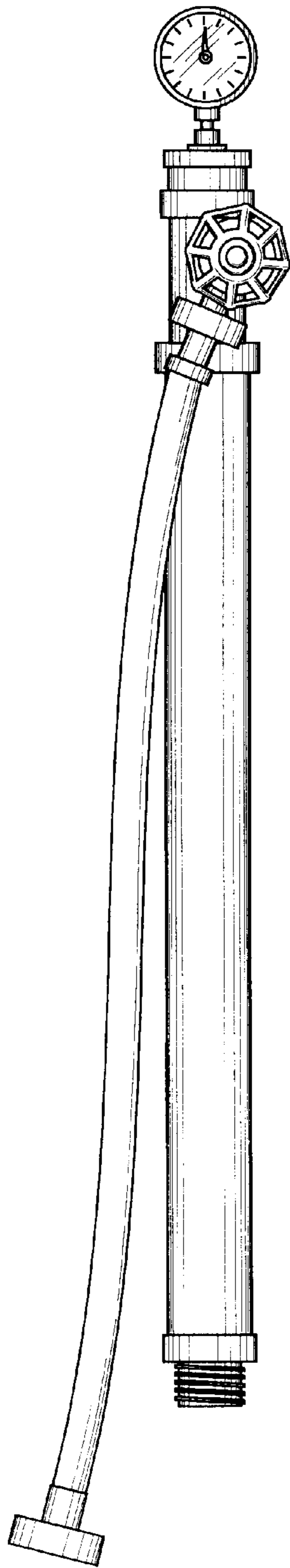


Fig. 3

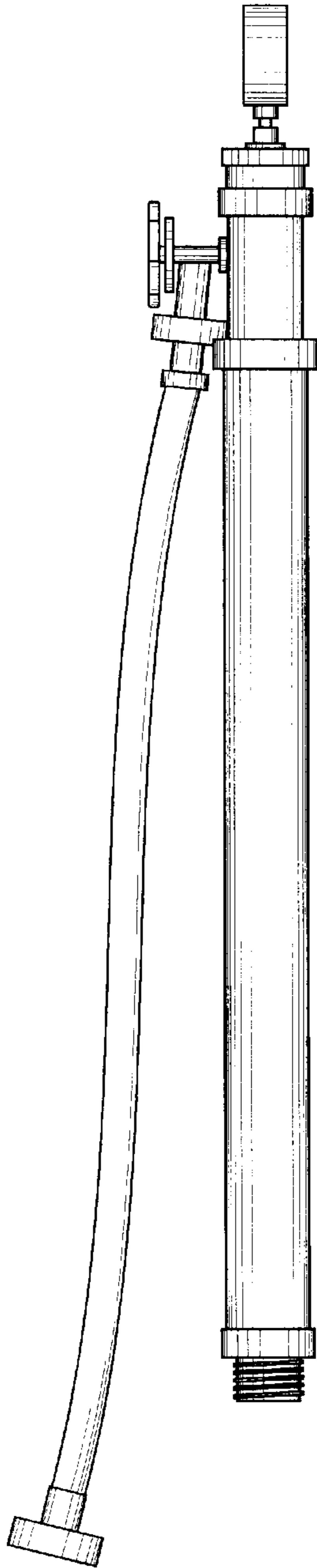


Fig. 4

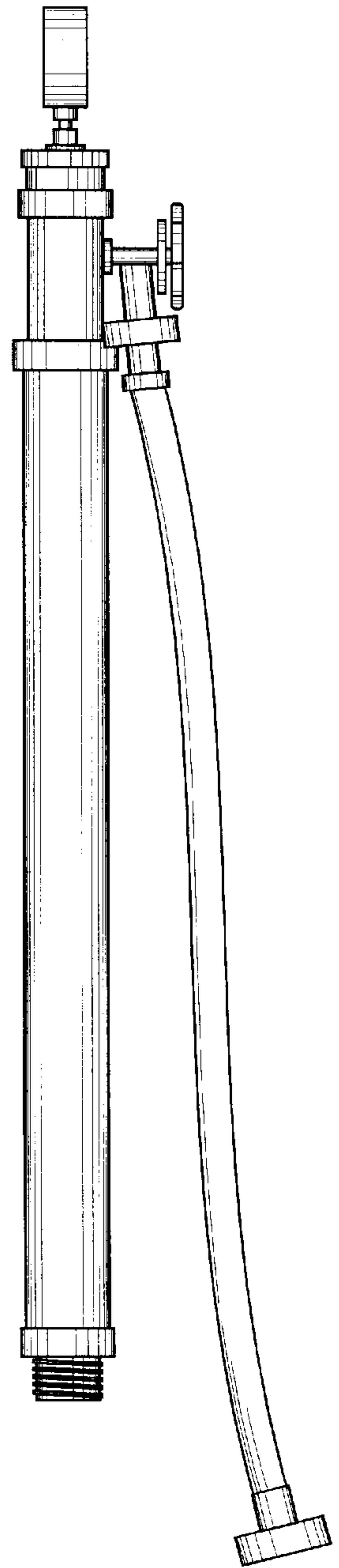


Fig. 5

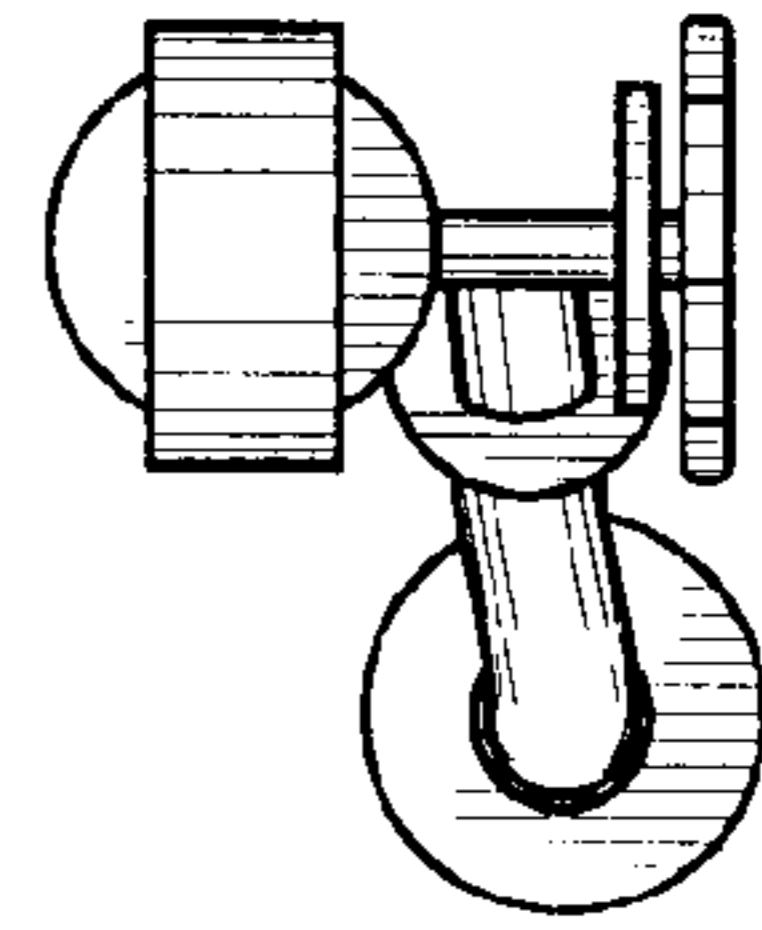


Fig. 6

