



US00D470058S

(12) **United States Design Patent**  
**Bryant et al.**

(10) **Patent No.:** **US D470,058 S**

(45) **Date of Patent:** **\*\* Feb. 11, 2003**

(54) **BEVERAGE CONTAINER**

(75) Inventors: **Michael Patrick Bryant**, Marlborough, MA (US); **Gerald Louis Forget**, Mercier (CA); **William J. Hendricks**, Windham, NH (US); **Edward H. Lerner**, Lexington, MA (US)

(73) Assignee: **Welch Foods Inc.**, Concord, MA (US)

(\*\*) Term: **14 Years**

(21) Appl. No.: **29/153,159**

(22) Filed: **Jan. 3, 2002**

(51) **LOC (7) Cl.** ..... **09-01**

(52) **U.S. Cl.** ..... **D9/572; D9/574; D9/516**

(58) **Field of Search** ..... **D3/202; D6/542; D7/306; D9/500, 502-504, 516, 523, 526-528, 530-531, 537-540, 541-546, 549, 551, 556-558, 569, 570-572, 574-575; D24/121, 224; D32/25, 30, 45, 10; 215/382-384, 396, 398, 400**

(56) **References Cited**

**U.S. PATENT DOCUMENTS**

D94,157 S	*	12/1934	Marcus	.....	D9/542
D110,034 S	*	6/1938	Reynolds	.....	D9/553
D152,875 S	*	3/1949	Frame	.....	D9/542
D177,493 S	*	4/1956	Burnside	.....	D9/558
D191,641 S	*	10/1961	DuPree	.....	D9/541
D266,310 S	*	9/1982	Fidler et al.	.....	D9/556
D275,267 S	*	8/1984	Gautier	.....	D9/560
D282,638 S	*	2/1986	Beaver et al.	.....	D9/556
D318,422 S	*	7/1991	Rumney	.....	D9/559
D348,007 S	*	6/1994	Feen	.....	D9/556
D367,613 S	*	3/1996	Weiler	.....	D9/571 X
D367,614 S	*	3/1996	Pagarani	.....	D9/559
D384,586 S	*	10/1997	Peek	.....	D9/560 X
D387,671 S	*	12/1997	Panella	.....	D9/538

D391,492 S	*	3/1998	Pang	.....	D9/538
D401,860 S	*	12/1998	Granelli	.....	D9/538
D404,306 S	*	1/1999	Steinke	.....	D9/502
D410,197 S	*	5/1999	Herrin et al.	.....	D9/502
D411,750 S	*	6/1999	Forecast et al.	.....	D9/539
D427,910 S	*	7/2000	Barnes et al.	.....	D9/502
D432,422 S	*	10/2000	Del Bianco	.....	D9/502
6,296,131 B2	*	10/2001	Rashid	.....	215/383

**OTHER PUBLICATIONS**

Commercially-available containers.

\* cited by examiner

*Primary Examiner*—Ted Shooman

*Assistant Examiner*—Carol Rademaker

(74) *Attorney, Agent, or Firm*—Colin P. Cahoon; Carstens, Yee & Cahoon, L.L.P.

(57) **CLAIM**

The ornamental design for a beverage container, as shown and described.

**DESCRIPTION**

FIG. 1 is a front, top perspective view of the beverage container of the present invention;

FIG. 2 is a rear, bottom perspective view of the beverage container of the present invention;

FIG. 3 is a top plan view of the beverage container of the present invention;

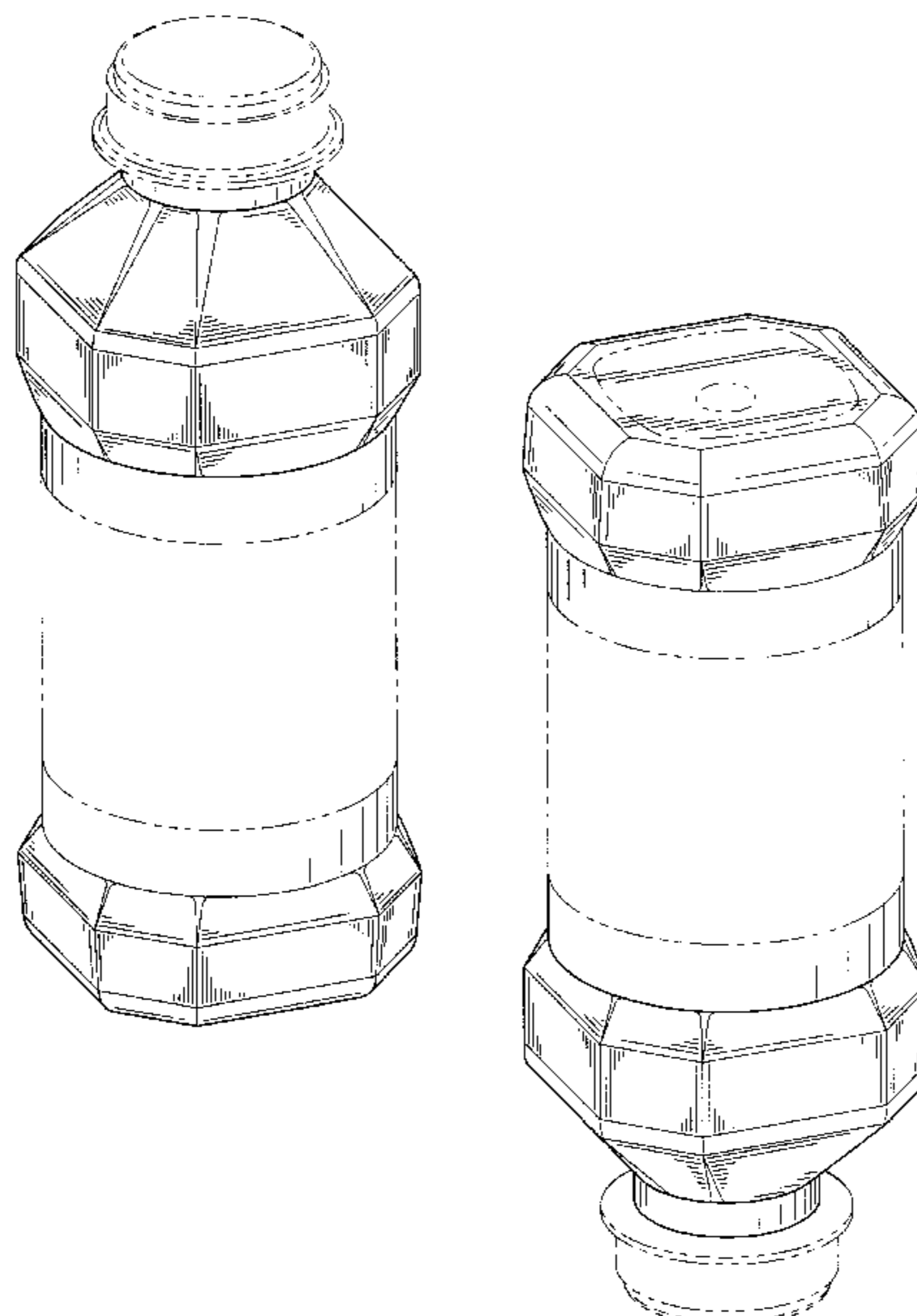
FIG. 4 is a side elevation view of the beverage container of the present invention, both sides being identical;

FIG. 5 is a front elevation view of the beverage container of the present invention, which is identical to a rear elevation view; and,

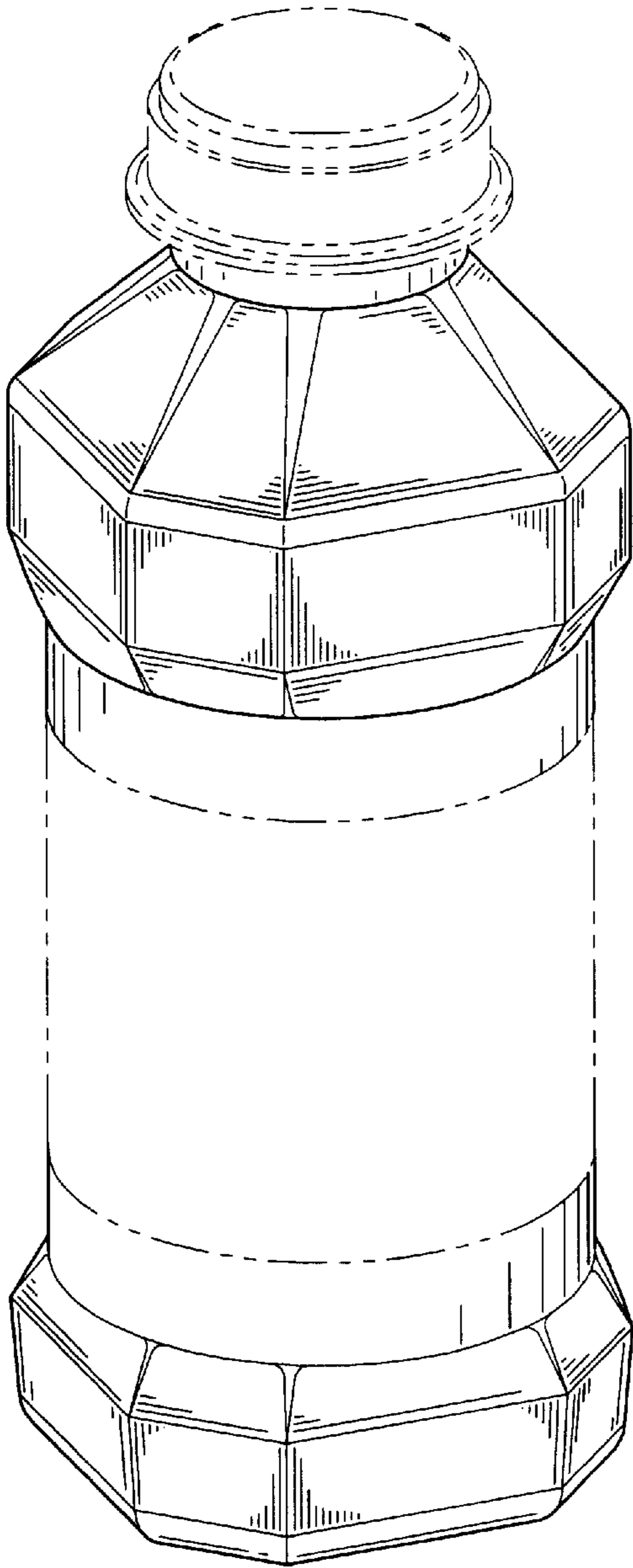
FIG. 6 is a bottom plan view of the beverage container of the present invention.

The broken lines shown in FIGS. 1-6 are for illustrative purposes only and form no part of the claimed design.

**1 Claim, 2 Drawing Sheets**



*FIG. 1*



*FIG. 2*

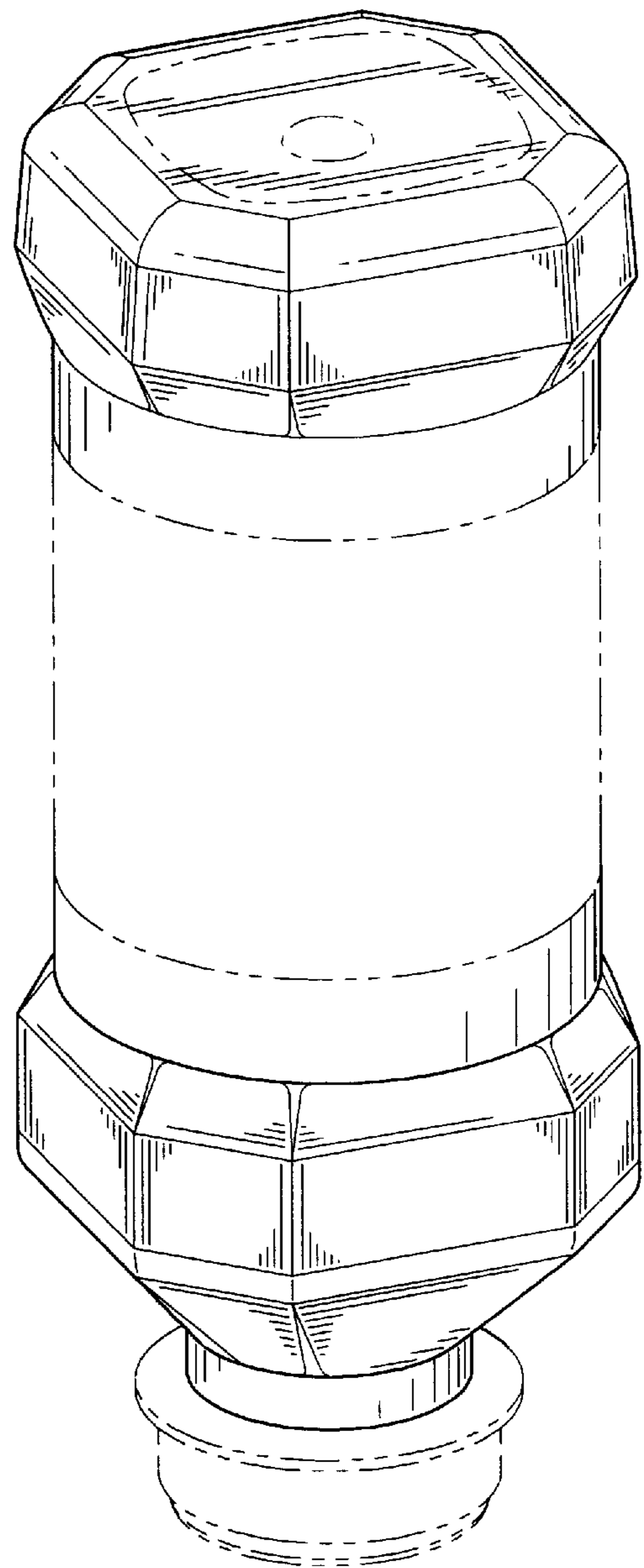


FIG. 3

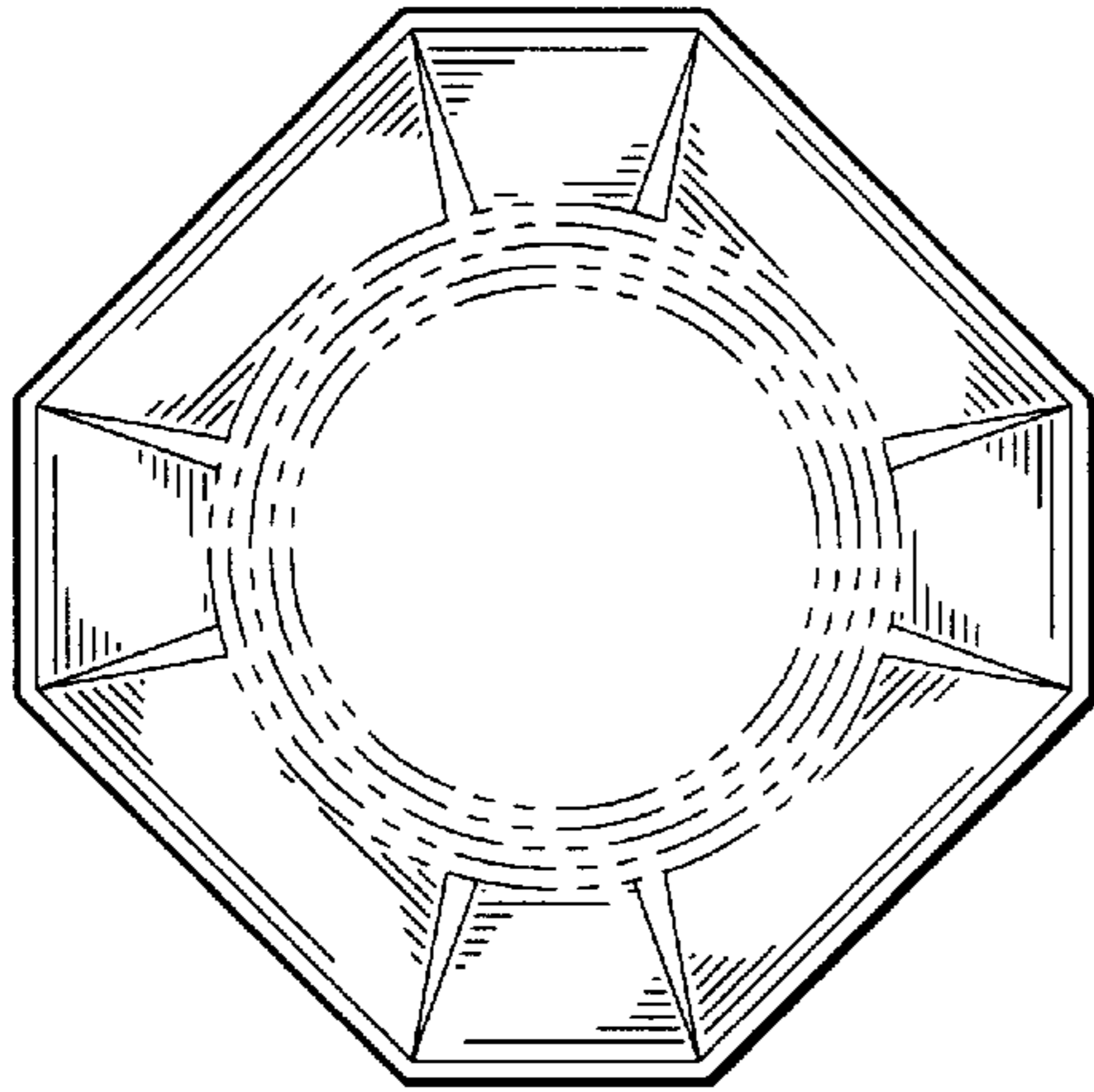


FIG. 5

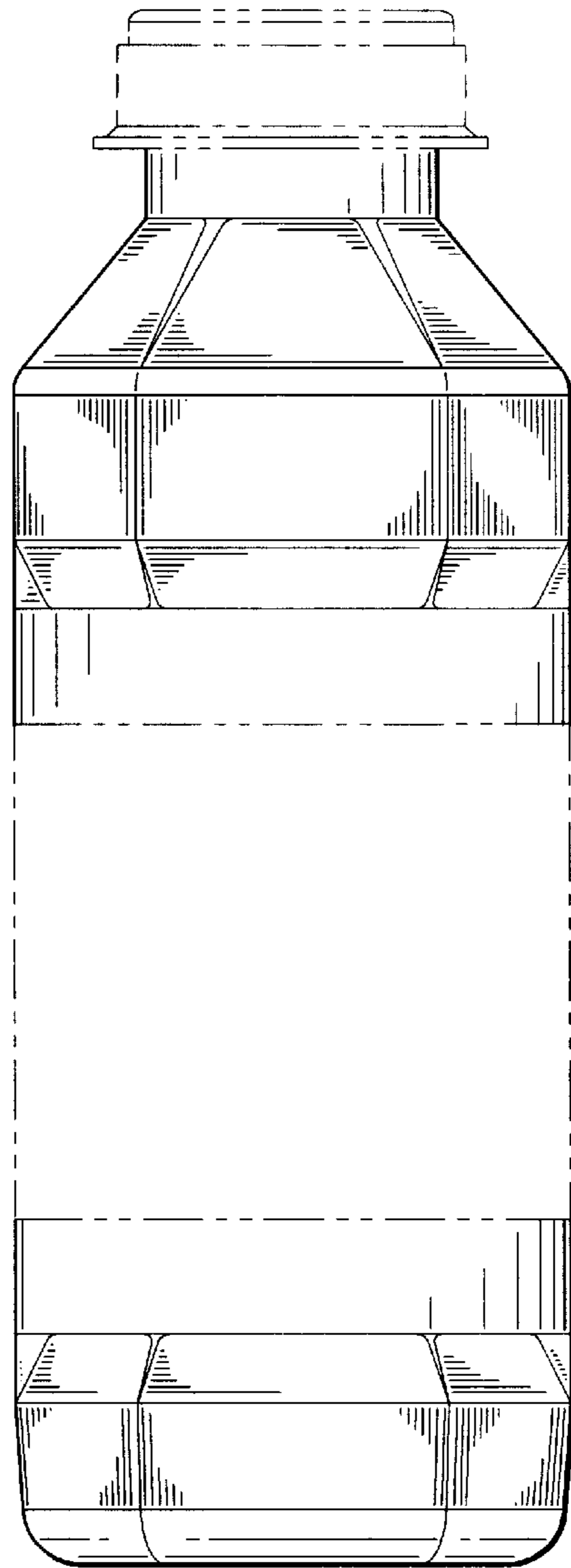


FIG. 4

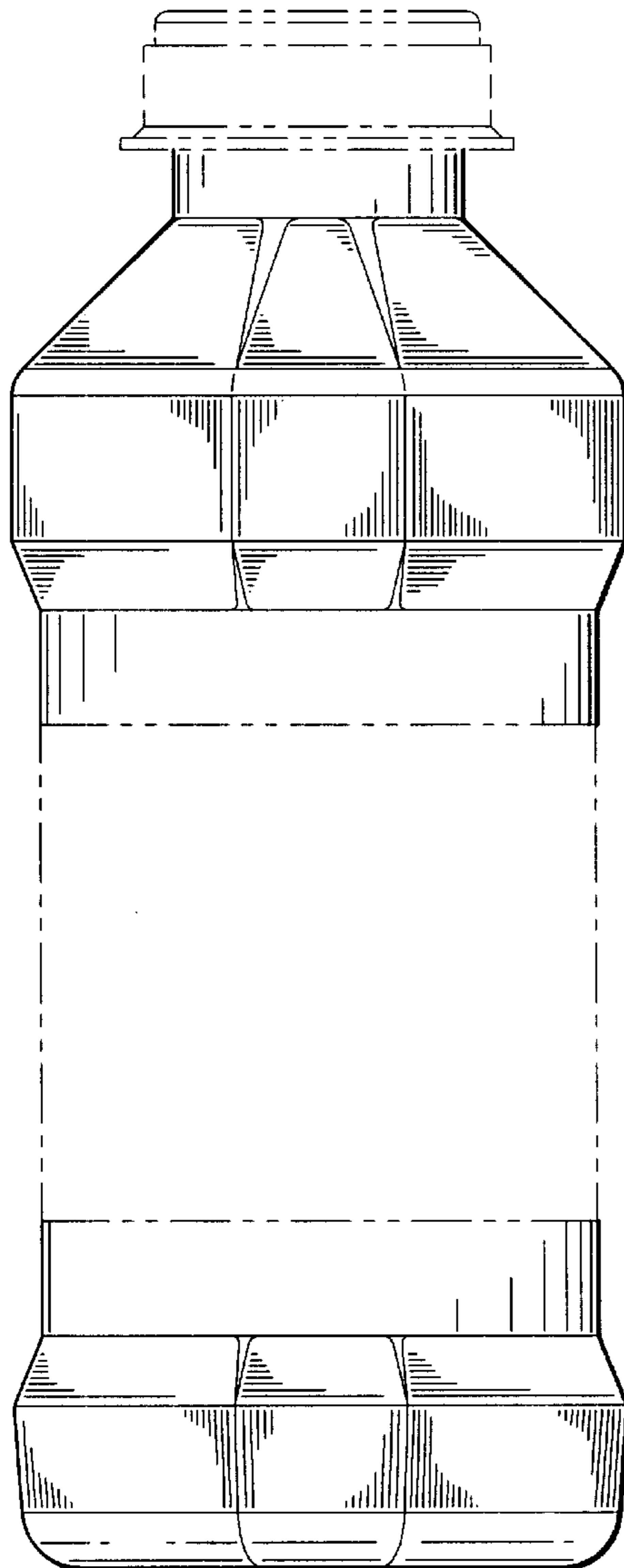


FIG. 6

