



US00D470052S

(12) **United States Design Patent**  
**Klutts**

(10) **Patent No.:** **US D470,052 S**

(45) **Date of Patent:** **\*\* Feb. 11, 2003**

(54) **DISPENSING CAP**

D447,949 S \* 9/2001 Richardson ..... D9/448  
H2027 H \* 6/2002 Brown ..... 215/260

(75) Inventor: **Darryl Klutts**, Harpursville, NY (US)

\* cited by examiner

(73) Assignee: **Elmers Products, Inc.**, Columbus, OH (US)

*Primary Examiner*—Dominic Simone

(74) *Attorney, Agent, or Firm*—Standley & Gilcrest LLP

(\*\*) Term: **14 Years**

(57) **CLAIM**

(21) Appl. No.: **29/153,274**

The ornamental design for a dispensing cap, as shown and described.

(22) Filed: **Jan. 3, 2002**

**DESCRIPTION**

(51) **LOC (7) Cl.** ..... **09-07**

(52) **U.S. Cl.** ..... **D9/447**

(58) **Field of Search** ..... D9/435, 442, 447,  
D9/450; 222/48, 394, 402.1, 402.13, 448,  
521

FIG. 1 is an isometric view of a dispensing cap showing my new design;

FIG. 2 is a top plan view thereof;

FIG. 3 is front elevational view thereof, the rear being a mirror image;

FIG. 4 is left side elevational view thereof, the right side being a mirror image; and,

FIG. 5 is a bottom plan view thereof.

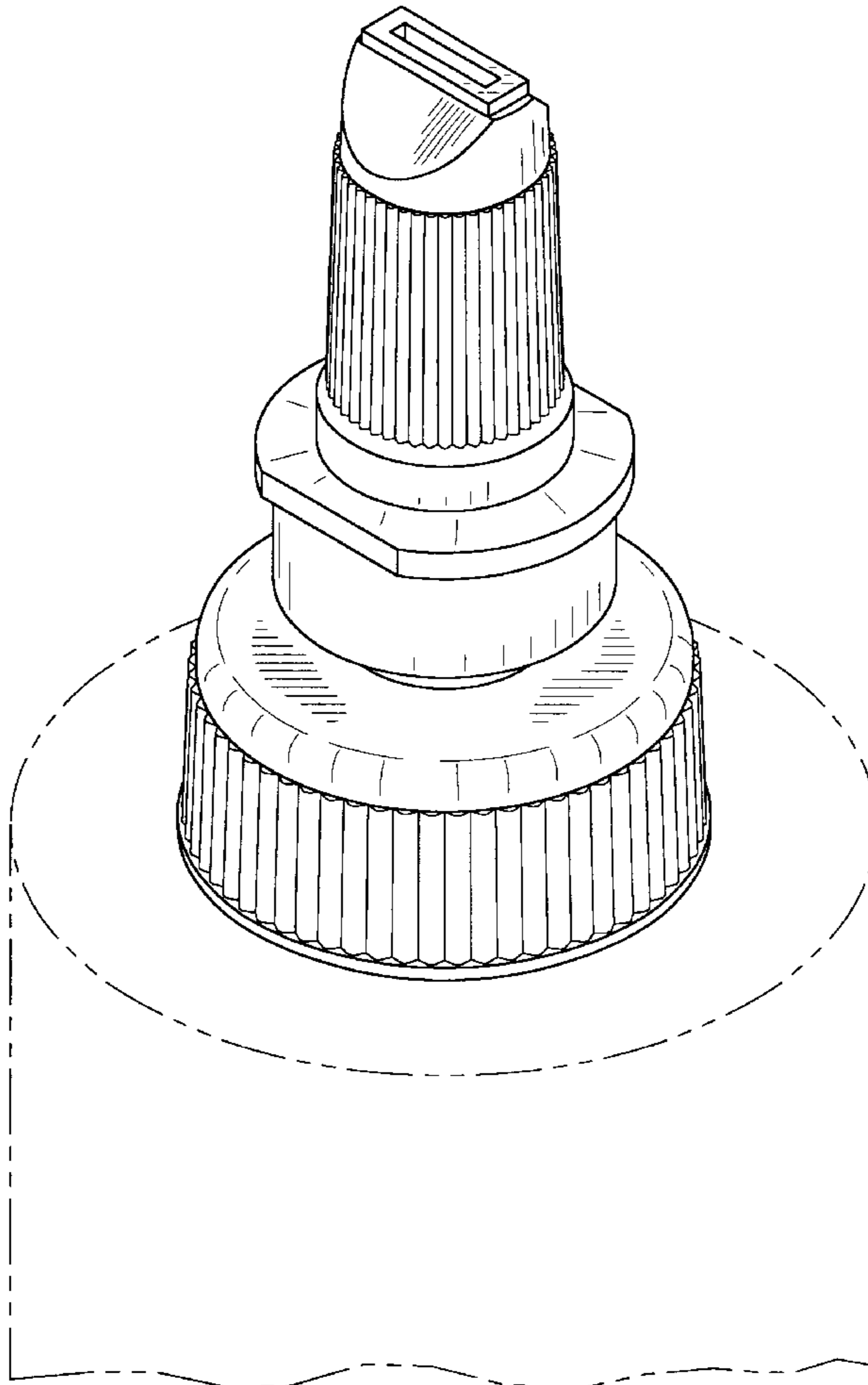
The material container is shown in broken lines for illustrative purposes only and forms no part of the claimed design.

(56) **References Cited**

**U.S. PATENT DOCUMENTS**

D170,452 S	*	9/1953	Drell	.....	D9/448
3,434,633 A	*	3/1969	Green	.....	222/402.13
3,598,285 A	*	8/1971	Stull	.....	222/48
D336,430 S	*	6/1993	Maguire	.....	D9/448
D438,112 S	*	2/2001	Keung	.....	D9/448

**1 Claim, 2 Drawing Sheets**



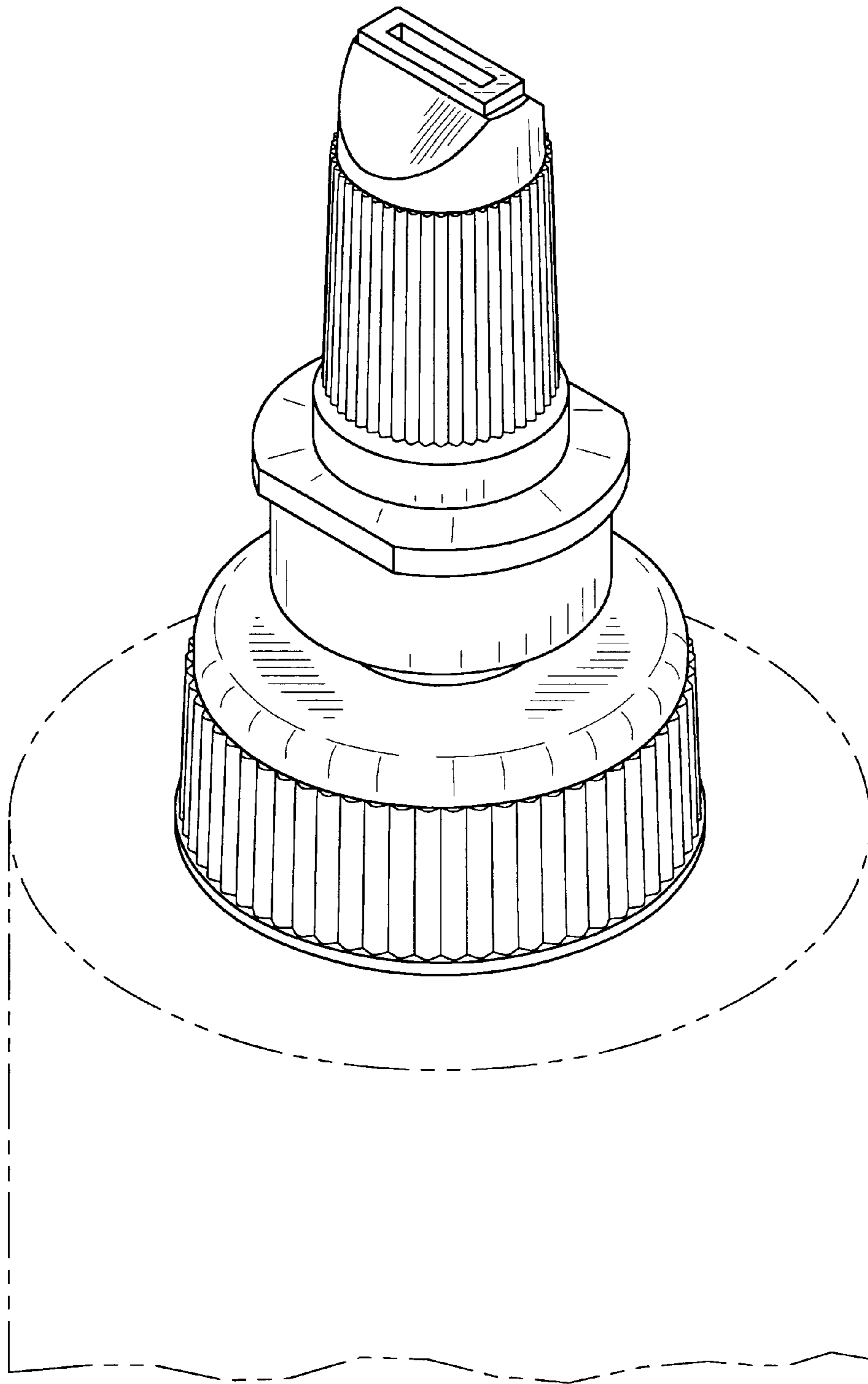


FIG-1

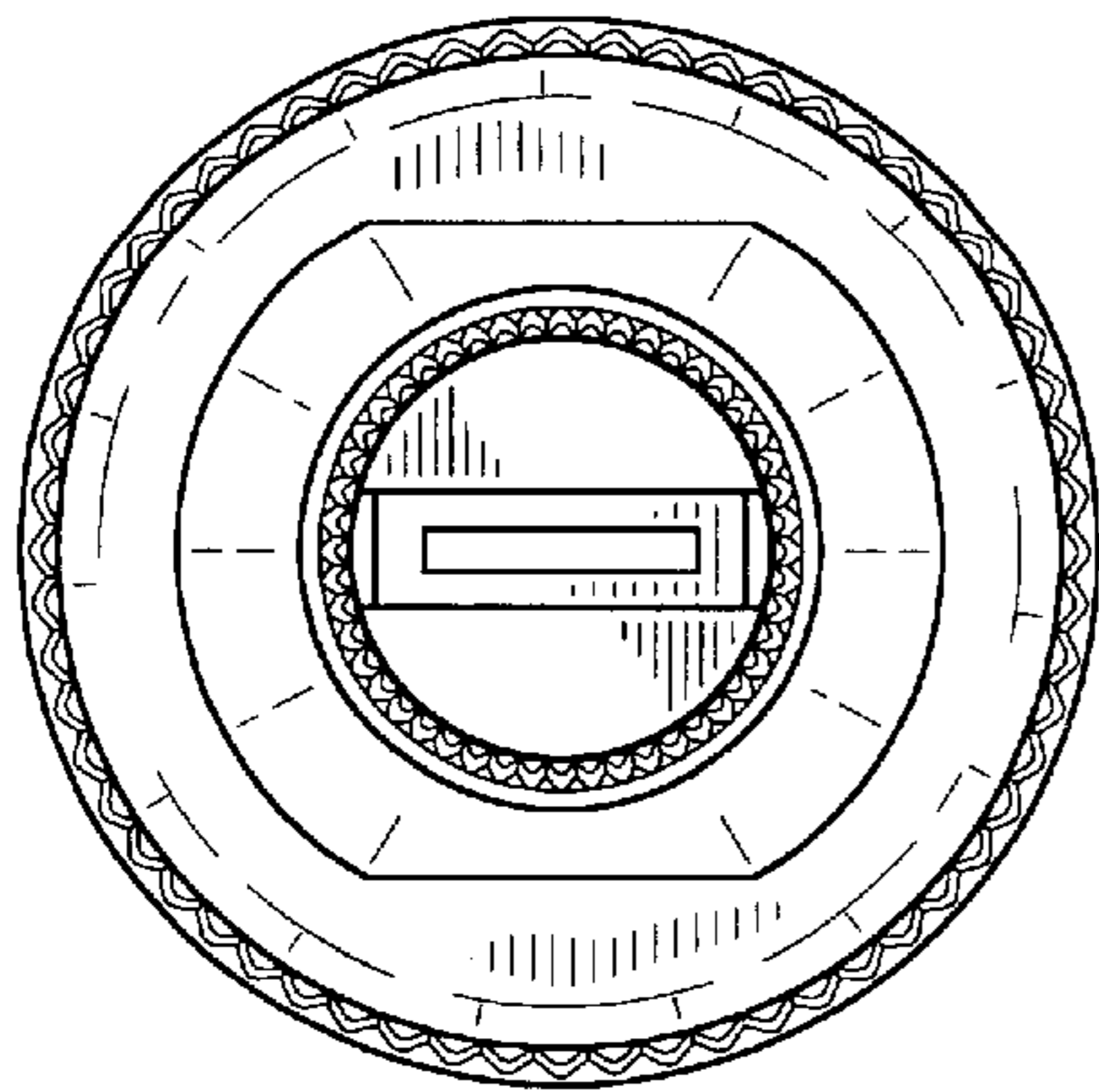


FIG-2

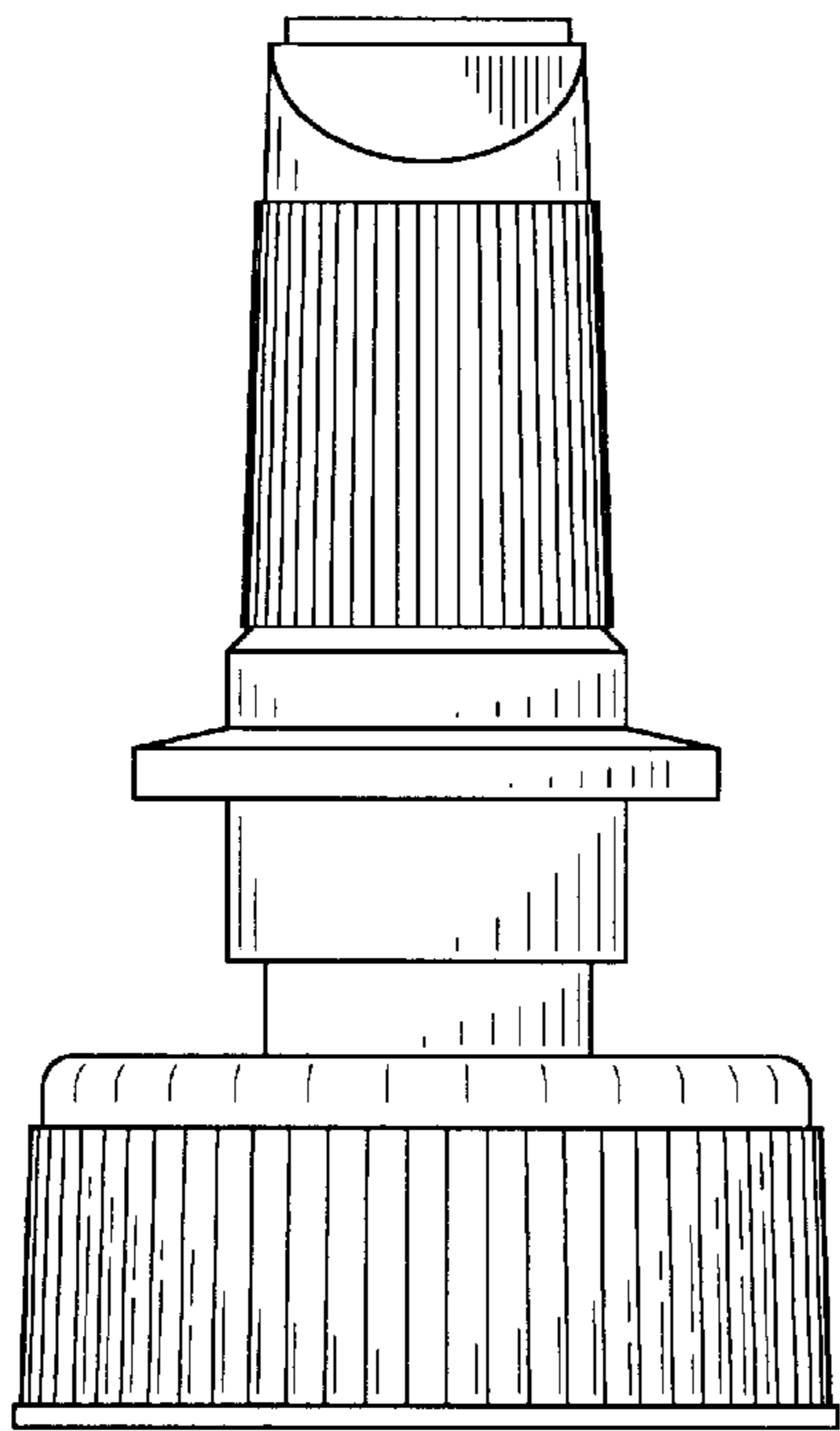


FIG-3

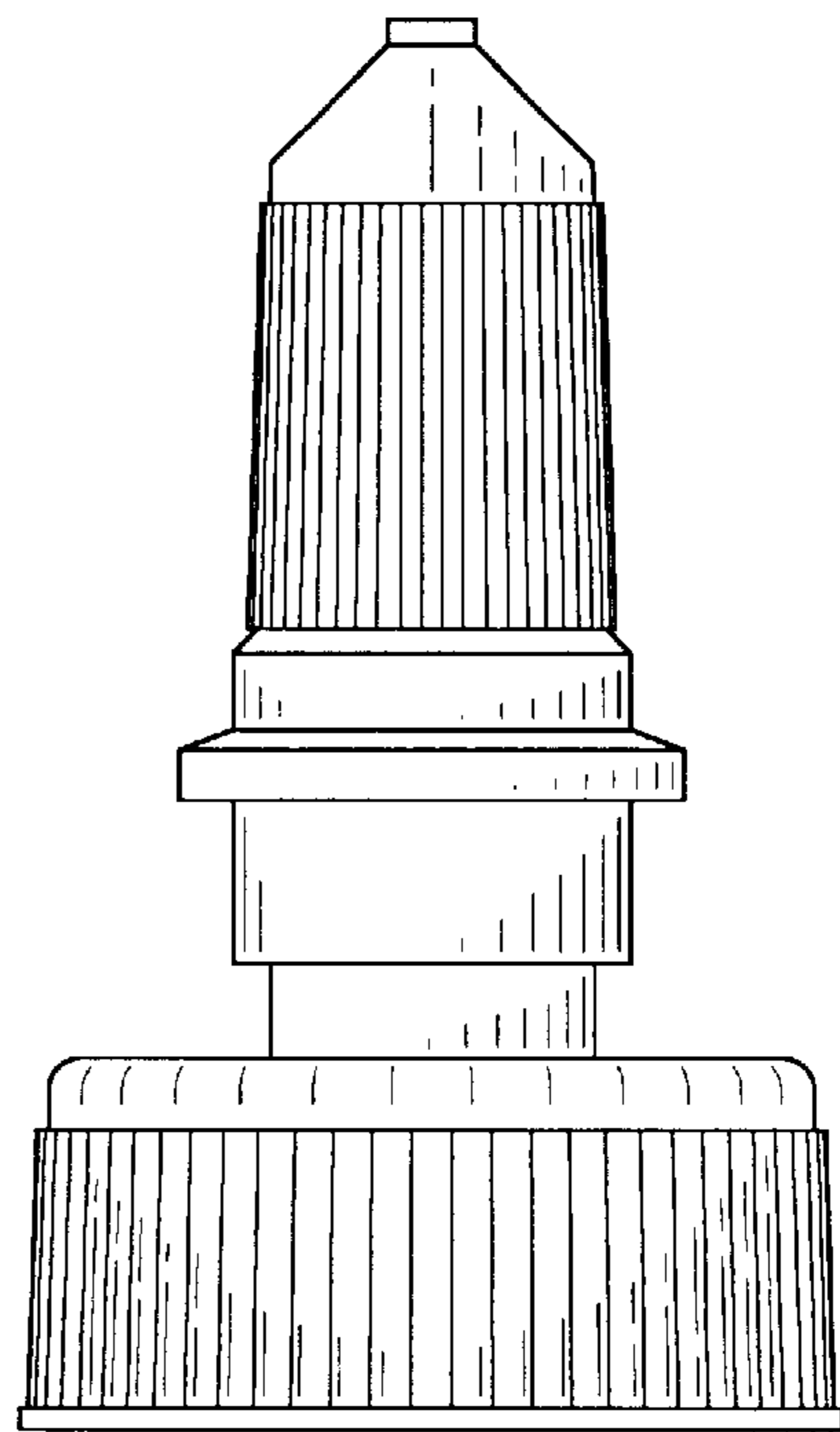


FIG-4

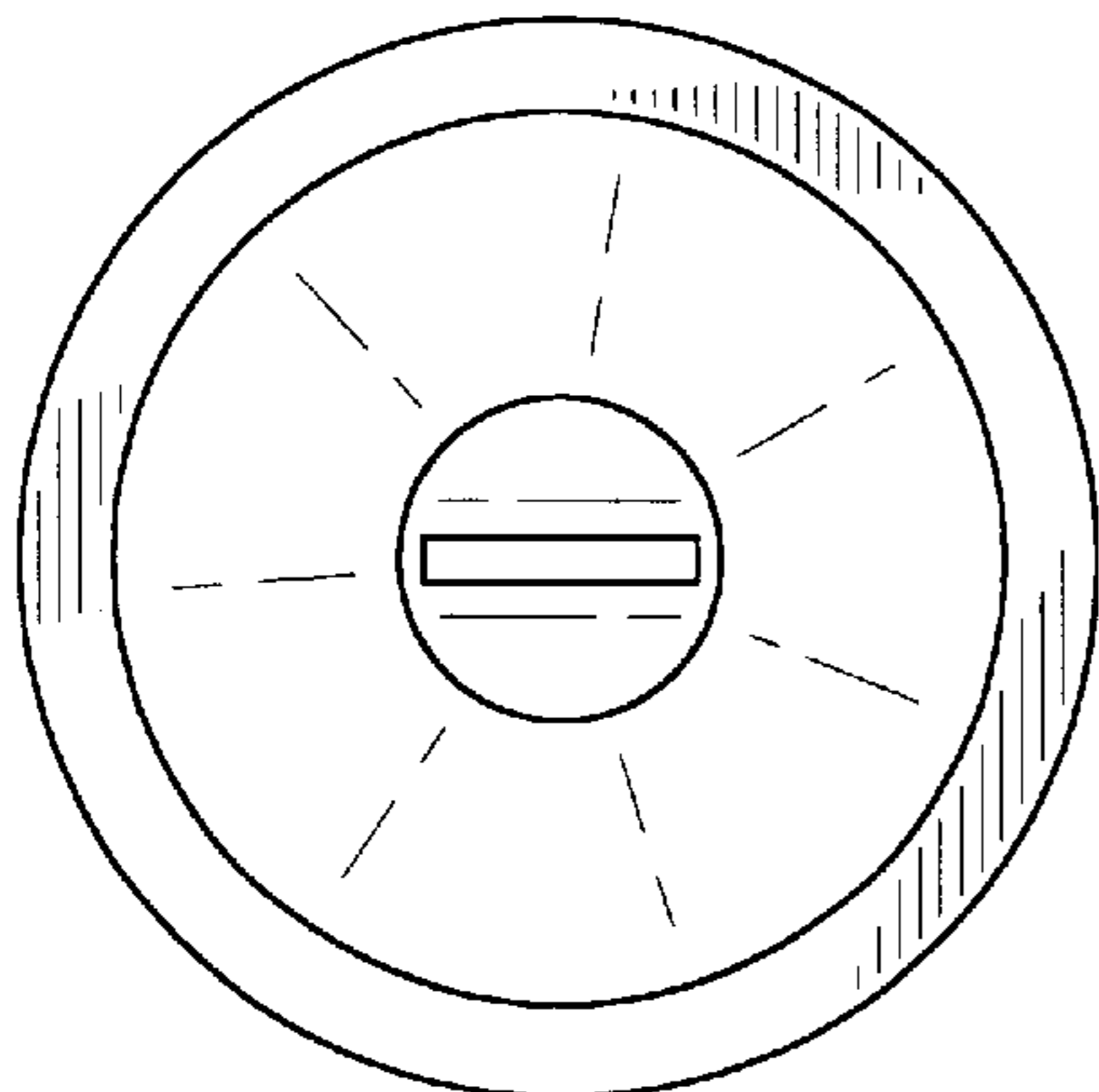


FIG-5