



US00D470050S

(12) **United States Design Patent**
Renz et al.

(10) **Patent No.:** **US D470,050 S**

(45) **Date of Patent:** **** Feb. 11, 2003**

(54) **CONVERTER RING**

(75) Inventors: **Charles John Renz**, Briarcliff Manor, NY (US); **Ross Steven Randolph**, Rockaway, NJ (US)

(73) Assignee: **Playtex Products, Inc.**, Westport, CO (US)

(**) Term: **14 Years**

(21) Appl. No.: **29/145,177**

(22) Filed: **Jul. 17, 2001**

(51) **LOC (7) Cl.** **09-07**

(52) **U.S. Cl.** **D9/434; D9/499; D7/396.2**

(58) **Field of Search** D9/434, 435, 447, D9/499; D7/396.2; 220/711, 716, 718

(56) **References Cited**

U.S. PATENT DOCUMENTS

2,226,146 A	12/1940	Smith	
2,299,730 A	10/1942	Bornstein	
2,782,614 A	2/1957	Currie	
3,085,710 A	4/1963	McIlroy	
3,101,857 A	8/1963	Freedman	
D198,761 S	* 7/1964	Roe D9/447
3,185,341 A	5/1965	Barbour	
D220,832 S	* 6/1971	Lapidus D9/447
4,054,205 A	* 10/1977	Blow, Jr. et al. 206/711
D289,720 S	* 5/1987	Maher D7/396.2
4,664,285 A	5/1987	Korcz et al.	
4,706,833 A	11/1987	Korcz et al.	

4,852,757 A	8/1989	Gold	
4,883,192 A	11/1989	Krugman	
5,000,338 A	3/1991	Wolman	
5,071,042 A	12/1991	Esposito	
D328,864 S	* 8/1992	Grunzweig D9/447
5,467,888 A	11/1995	Brandstrom et al.	
D368,032 S	* 3/1996	Couto D9/435
5,732,851 A	3/1998	Griffin et al.	
5,762,120 A	6/1998	Smith	
5,947,324 A	9/1999	Palinchak	
6,102,244 A	8/2000	Kuwano et al.	
6,209,737 B1	4/2001	Bliss	

* cited by examiner

Primary Examiner—Dominic Simone

(74) *Attorney, Agent, or Firm*—Ohlandt, Greeley, Ruggiero & Perle, LLP

(57) **CLAIM**

The ornamental design for the converter ring, as shown and described in the accompanying figures.

DESCRIPTION

FIG. 1 is a perspective view of the converter ring according to the present invention, upon a container, the container forming no part of the design;

FIG. 2 is a front view of the converter ring of FIG. 1, the rear view and side views being identical thereof;

FIG. 3 is a top view of the converter ring of FIG. 1; and,

FIG. 4 is a bottom view of the converter ring of FIG. 1.

The broken lines are for illustrative purpose only and form no part of the design.

1 Claim, 1 Drawing Sheet

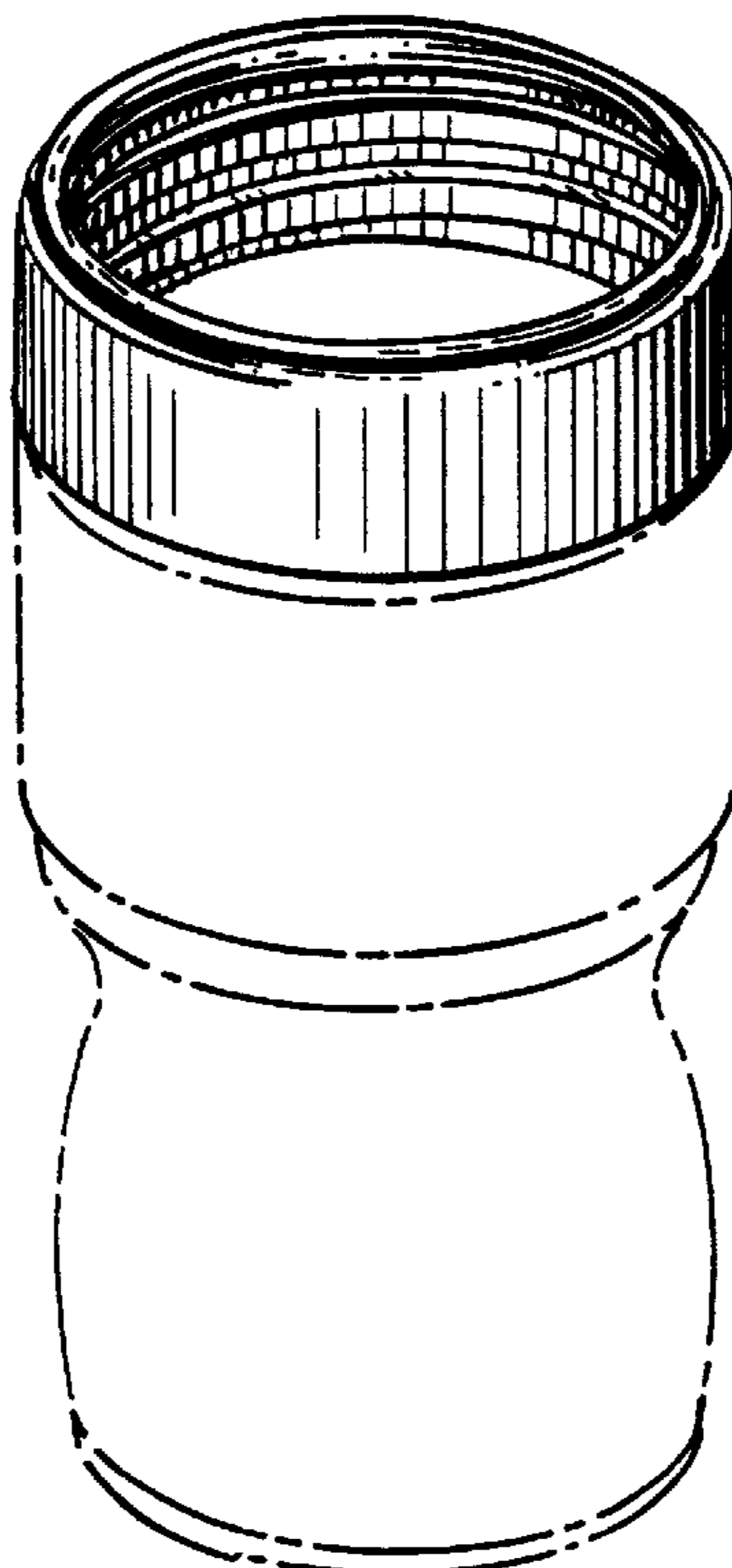


FIG.1

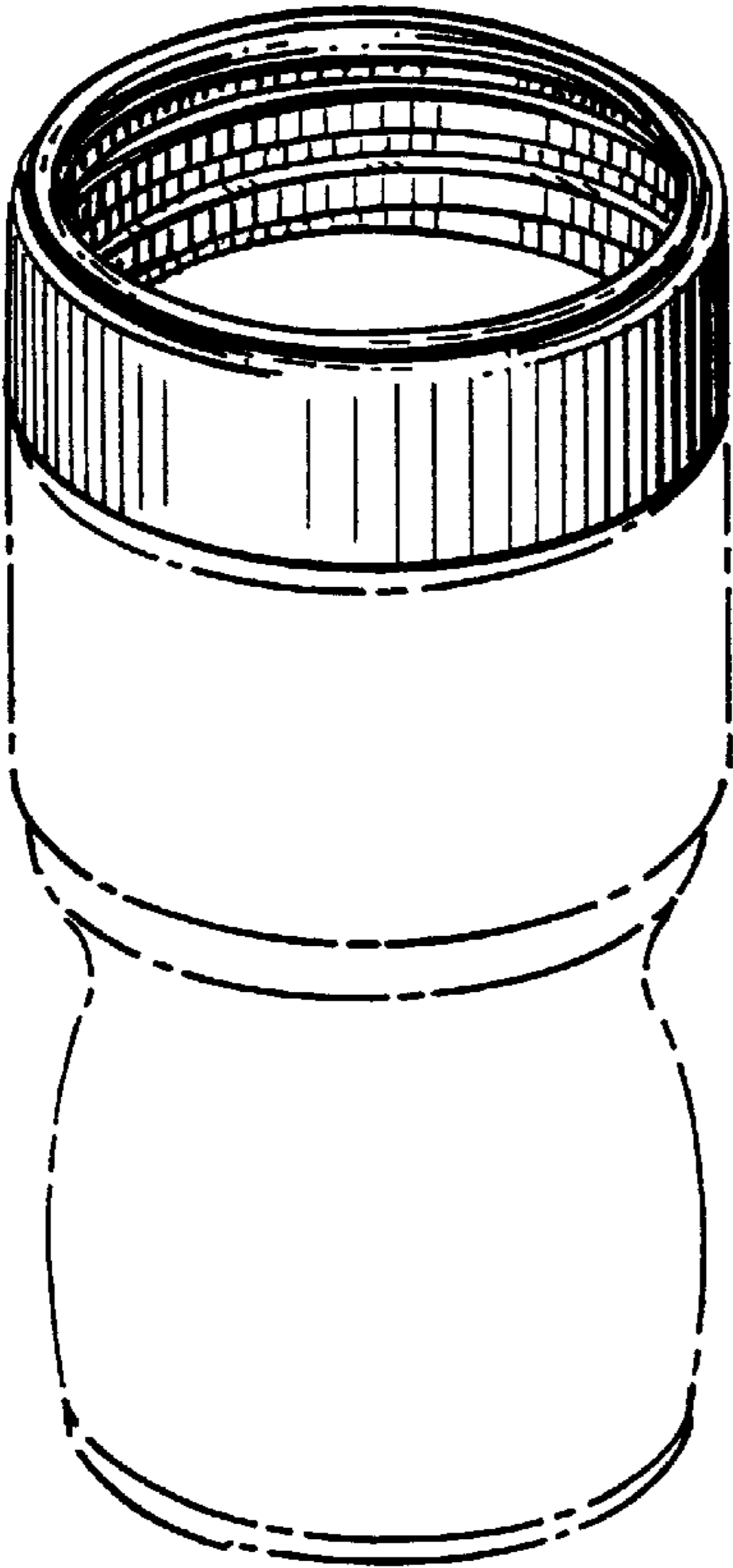


FIG.2

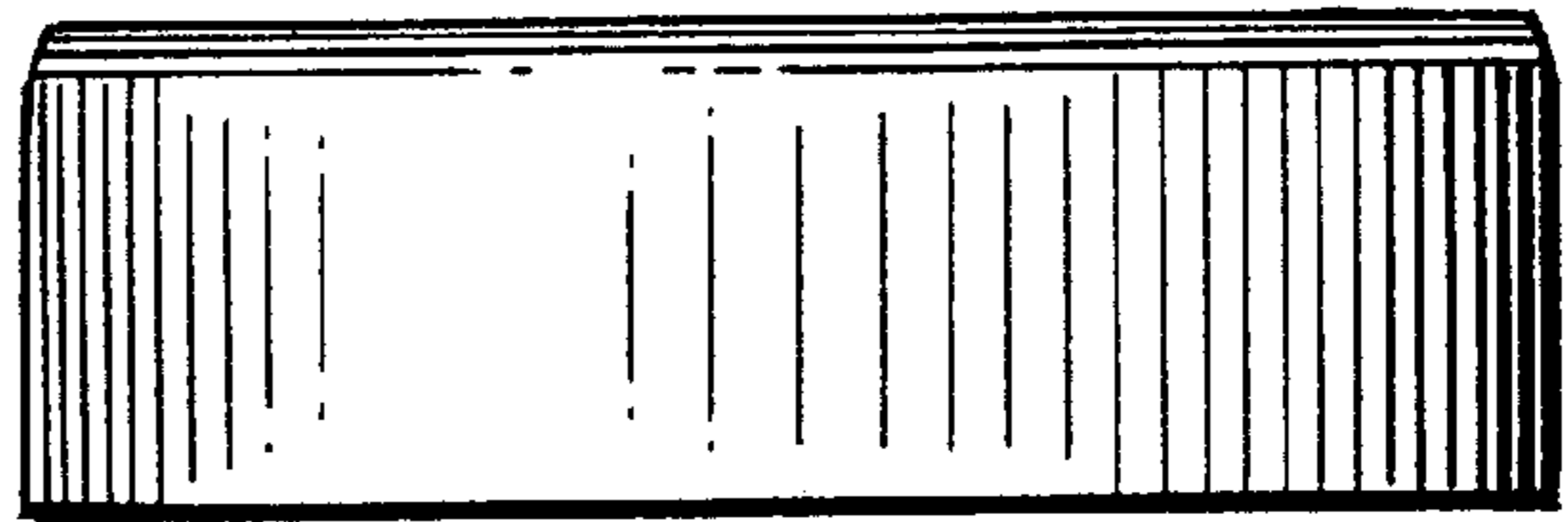


FIG.3

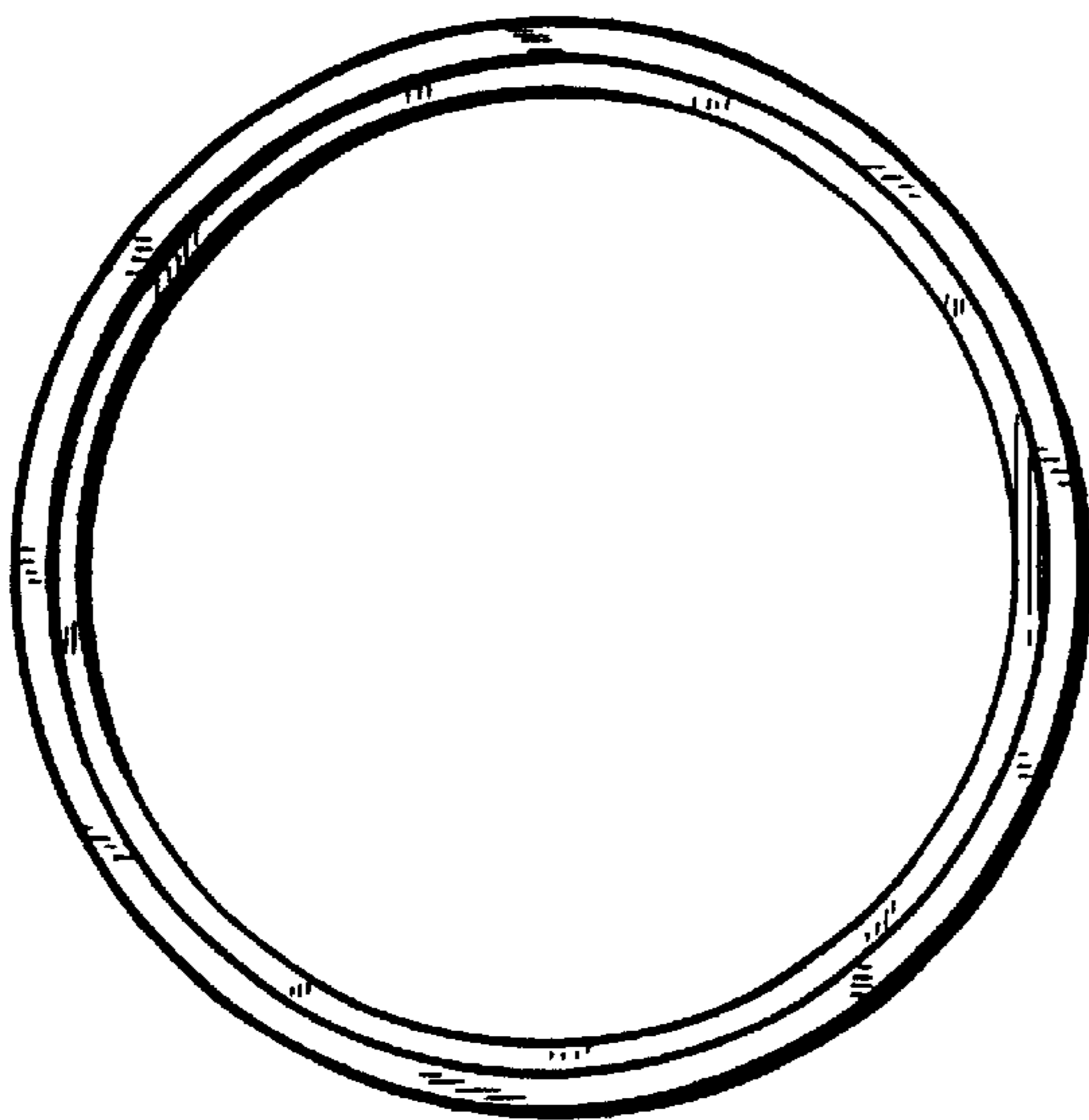


FIG.4

