



US00D470049S

(12) **United States Design Patent**
Gray, III

(10) **Patent No.:** **US D470,049 S**

(45) **Date of Patent:** **** Feb. 11, 2003**

(54) **PACKAGING**

(76) Inventor: **Lawrence C. Gray, III**, 433 Northcliff Rd., Pasadena, CA (US) 91107

(**) Term: **14 Years**

(21) Appl. No.: **29/153,324**

(22) Filed: **Oct. 26, 2001**

(51) **LOC (7) Cl.** **09-03**

(52) **U.S. Cl.** **D9/430**

(58) **Field of Search** D9/414, 415, 420-424, D9/430, 432, 341, 346; 206/740-746, 757, 738, 739, 45.2, 45.21, 45.23; 229/111, 112, 108, 123.3, 200

(56) **References Cited**

U.S. PATENT DOCUMENTS

1,289,518 A	*	12/1918	Myers	229/112
1,799,656 A	*	4/1931	Tinsley	206/45.3
1,930,386 A	*	10/1933	Feedback	206/742
3,208,659 A	*	9/1965	Blasdell et al.	229/112
4,116,330 A	*	9/1978	Ellis	206/736
4,244,509 A	*	1/1981	Diugopolski	229/112
D329,375 S	*	9/1992	Bergman	D9/346
D406,055 S	*	2/1999	Klawiter	D9/415

OTHER PUBLICATIONS

Gray Tray, in commerce since about 1980.

* cited by examiner

Primary Examiner—Prabhakar Deshmukh

(74) *Attorney, Agent, or Firm*—Sheldon & Mak; Jeffrey G. Sheldon

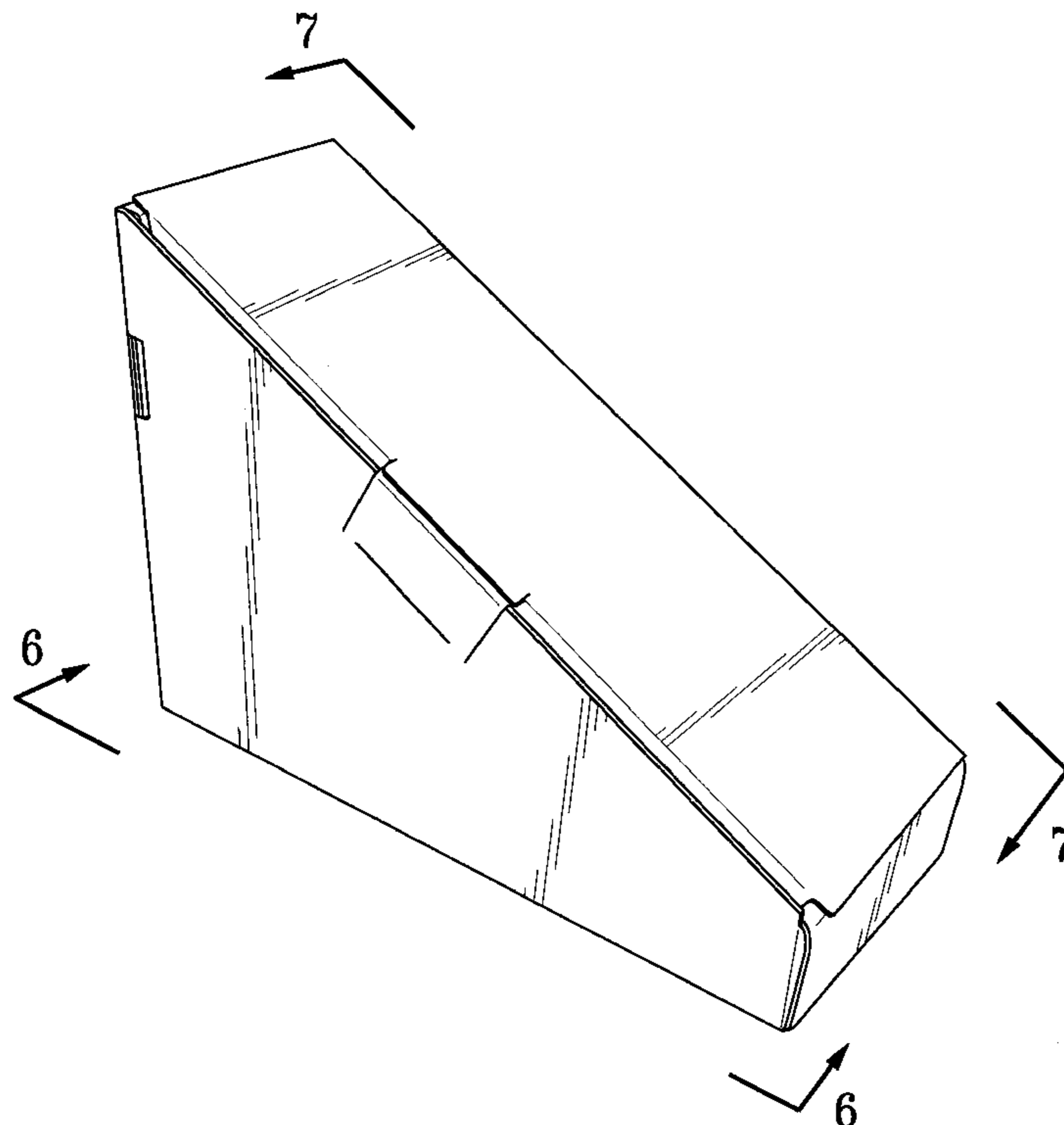
(57) **CLAIM**

The ornamental design for packaging, as shown and described.

DESCRIPTION

FIG. 1 is a perspective view of packaging according to the present invention, with the cover closed;
 FIG. 2 is a top plan view of the packaging of FIG. 1;
 FIG. 3 is a bottom plan view of the packaging of FIG. 1;
 FIG. 4 is a front elevation view of the packaging of FIG. 1;
 FIG. 5 is a rear elevation view of the packaging of FIG. 1;
 FIG. 6 is a side elevation view of the packaging of FIG. 1, taken on line 6—6 in FIG. 1;
 FIG. 7 is a side elevation view of the opposite side of the packaging of FIG. 1, taken on line 7—7 in FIG. 1;
 FIG. 8 is a perspective view of the packaging of FIG. 1, with the cover open;
 FIG. 9 is a top plan view of the packaging of FIG. 8, with the cover open;
 FIG. 10 is a bottom plan view of the packaging of FIG. 8, with the cover open;
 FIG. 11 is a front elevation view of the packaging of FIG. 8, with the cover open;
 FIG. 12 is a rear elevation view of the packaging of FIG. 8, with the cover open;
 FIG. 13 is a side elevation view of the packaging of FIG. 8, taken on line 13—13 in FIG. 8; and,
 FIG. 14 is a side elevation view of the opposite side of the packaging of FIG. 8, taken on line 14—14 in FIG. 8.

1 Claim, 8 Drawing Sheets



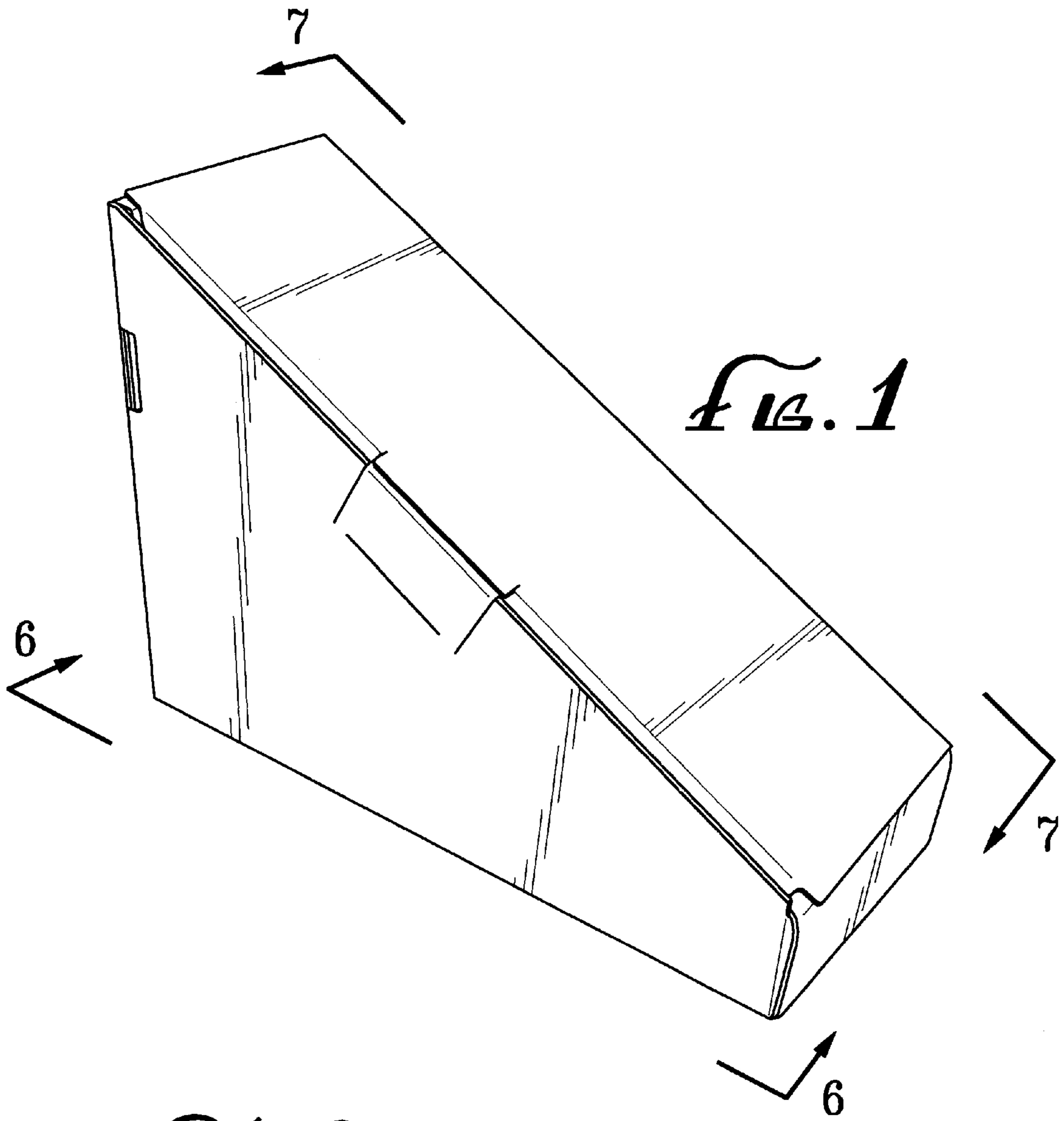
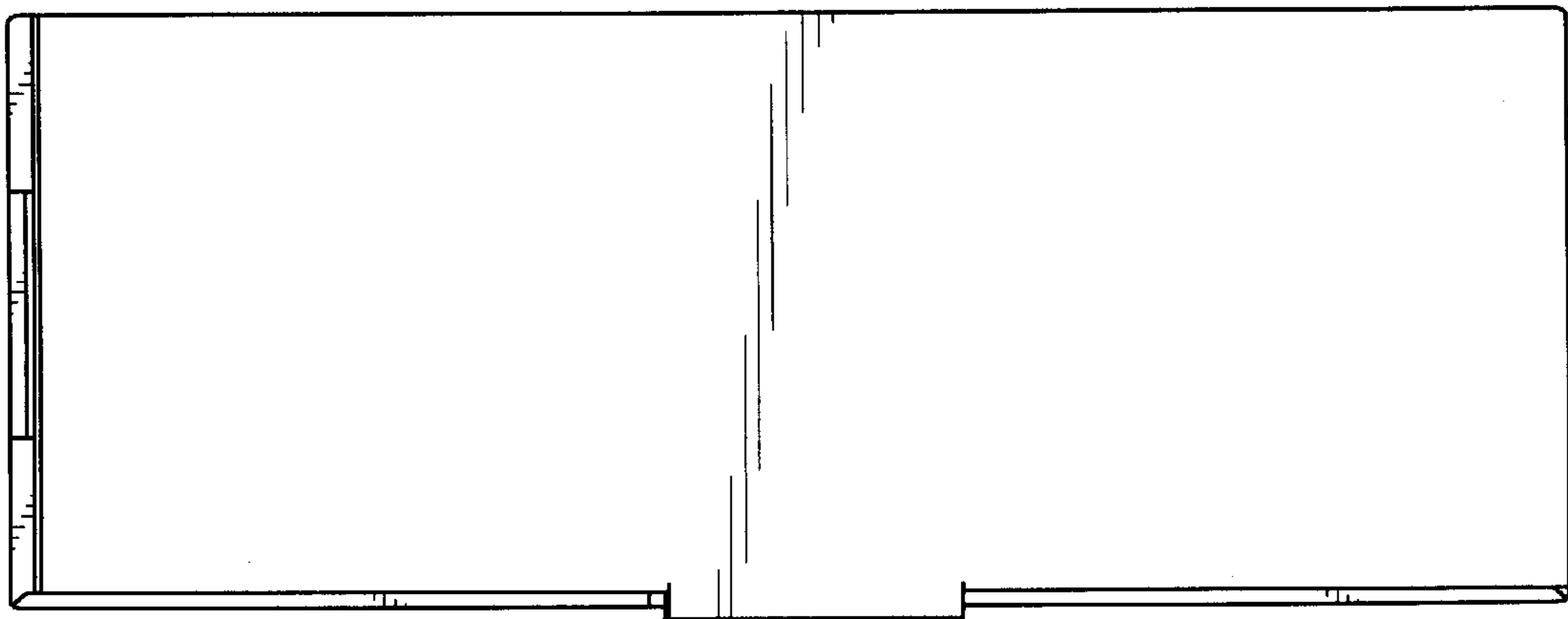


FIG. 2



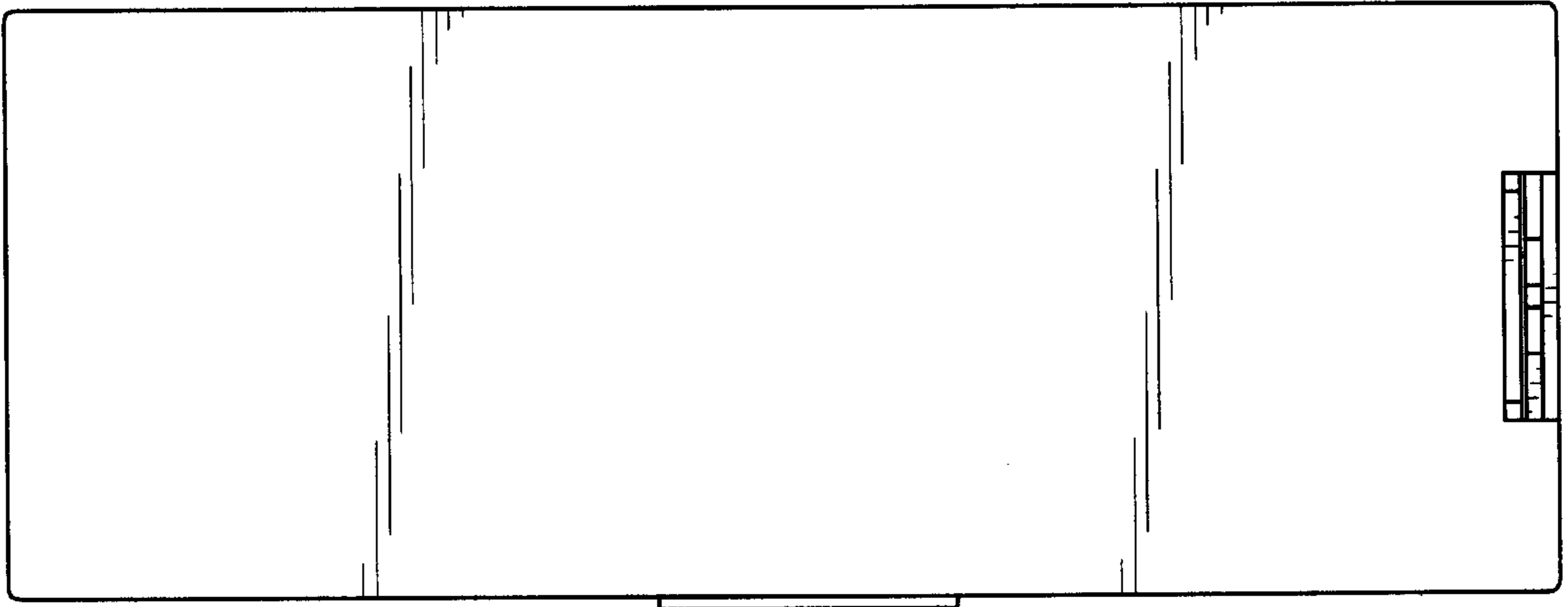


FIG. 3

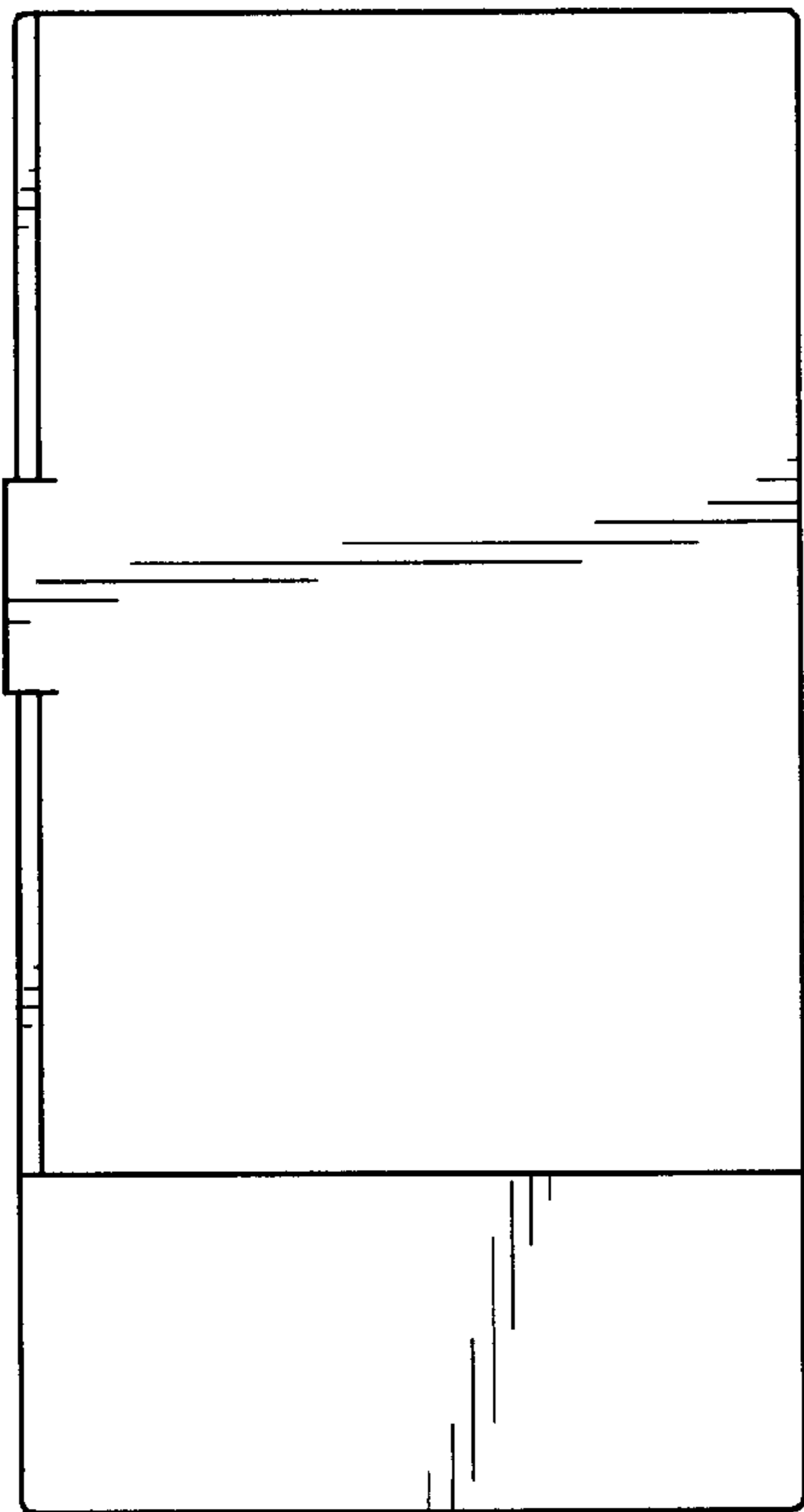


FIG. 4

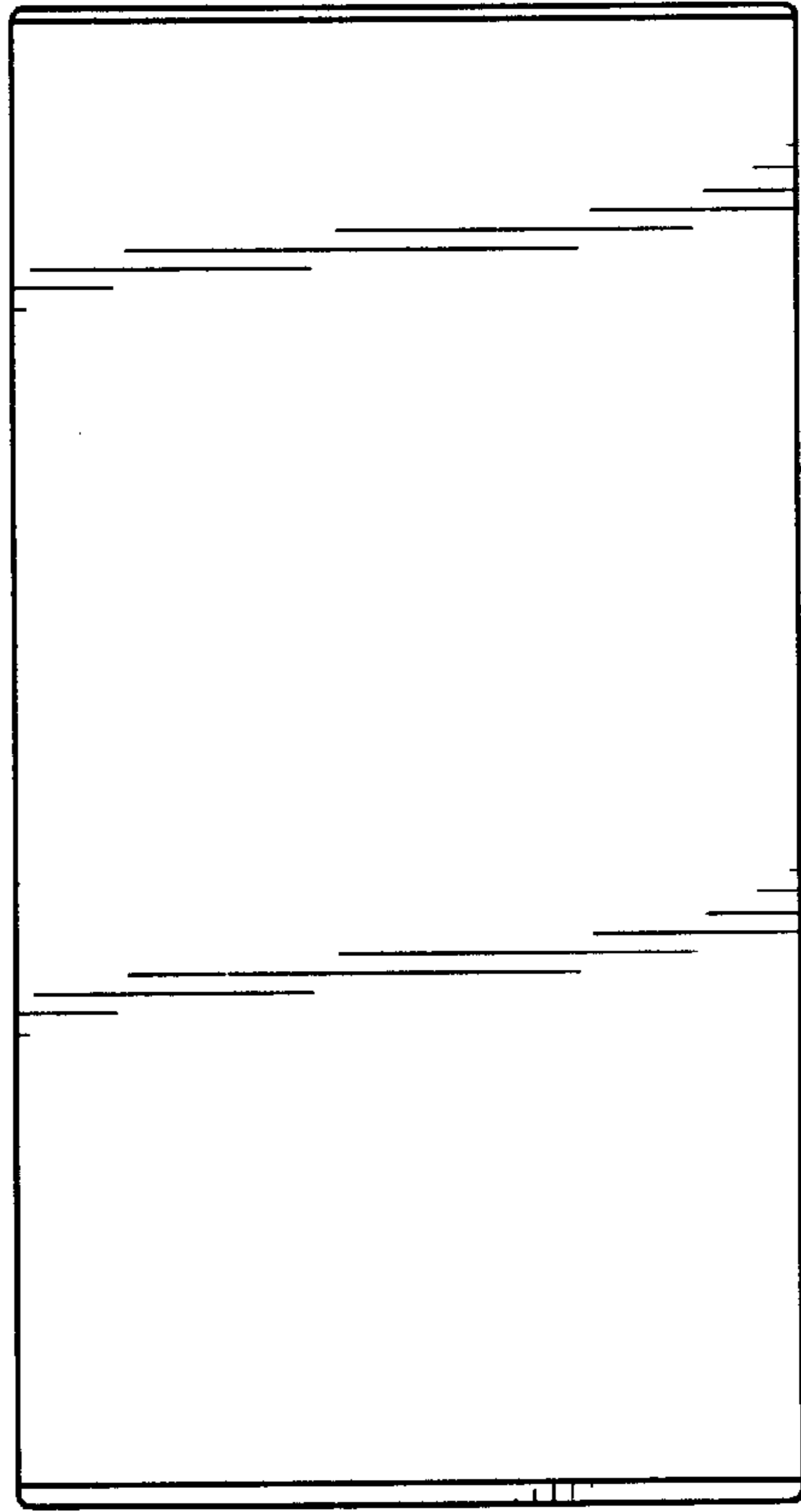
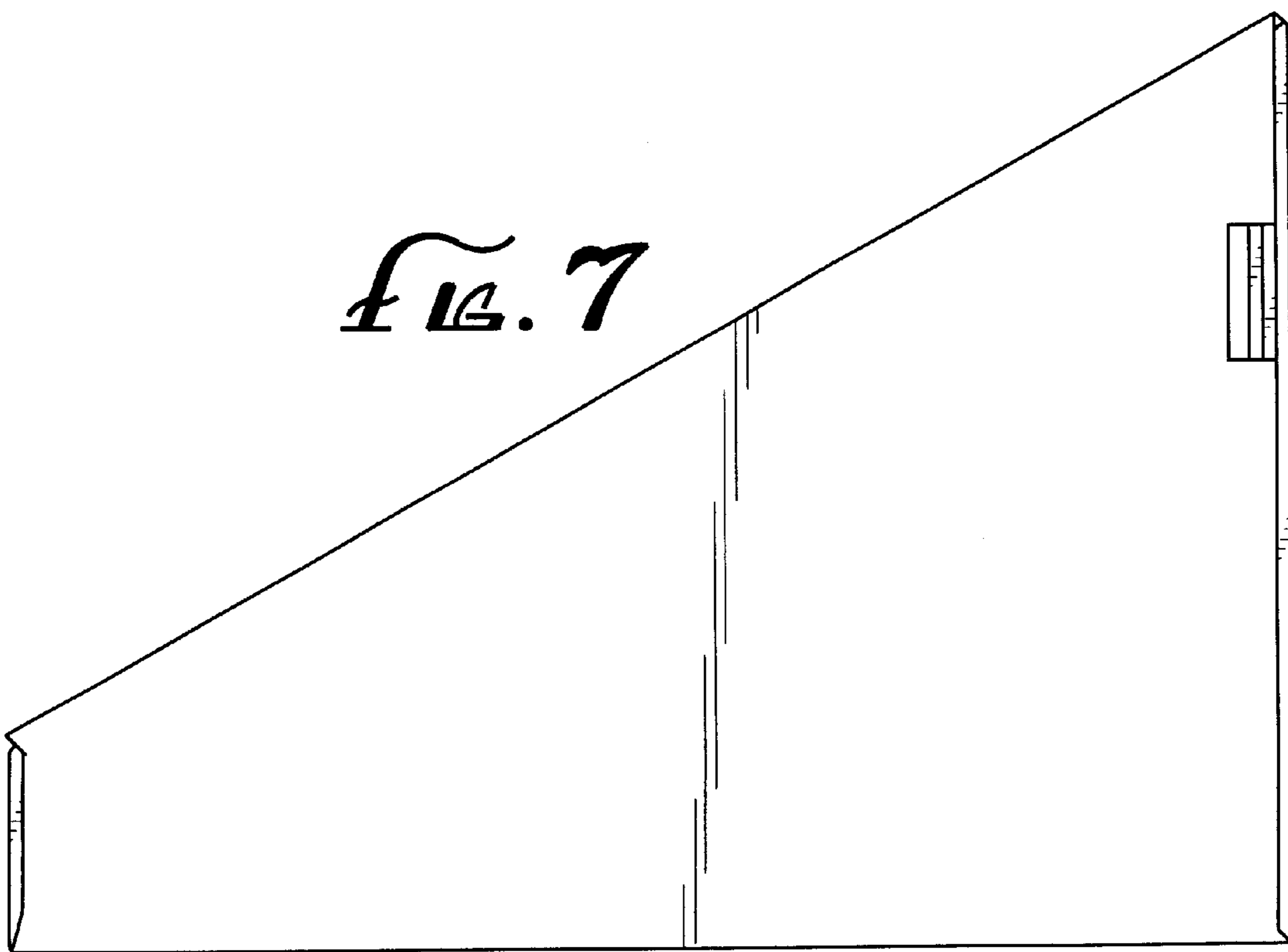
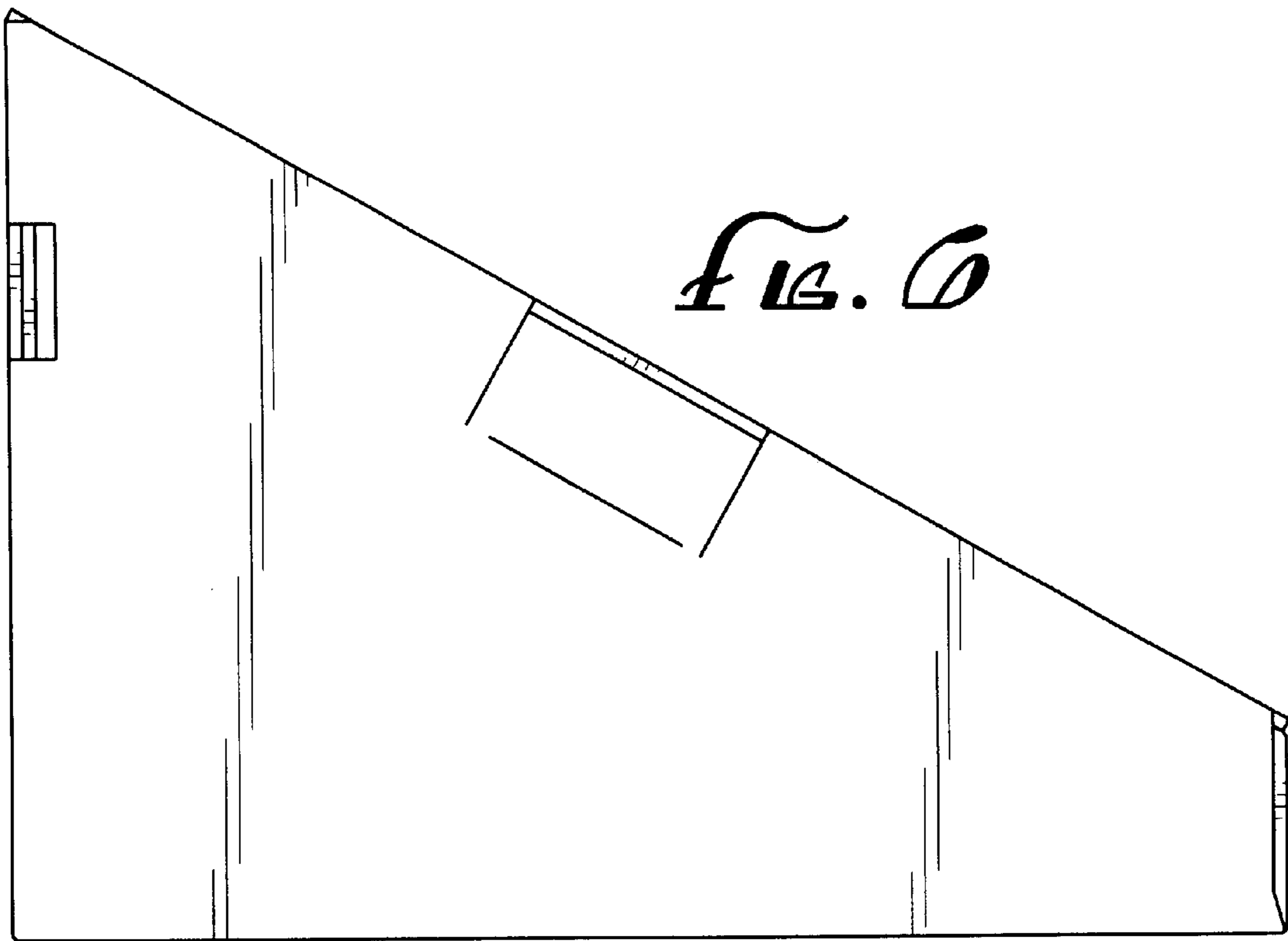
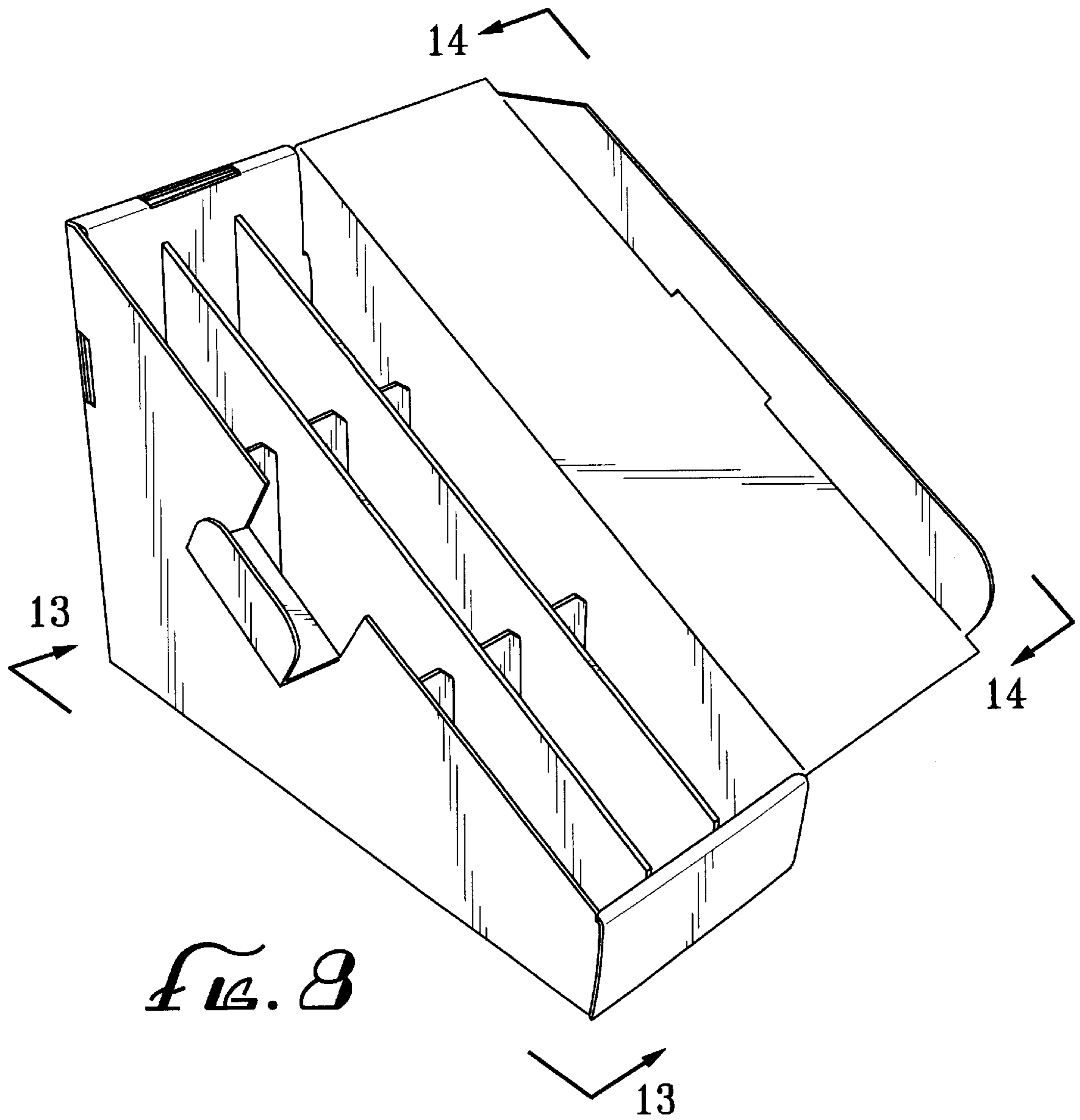


FIG. 5





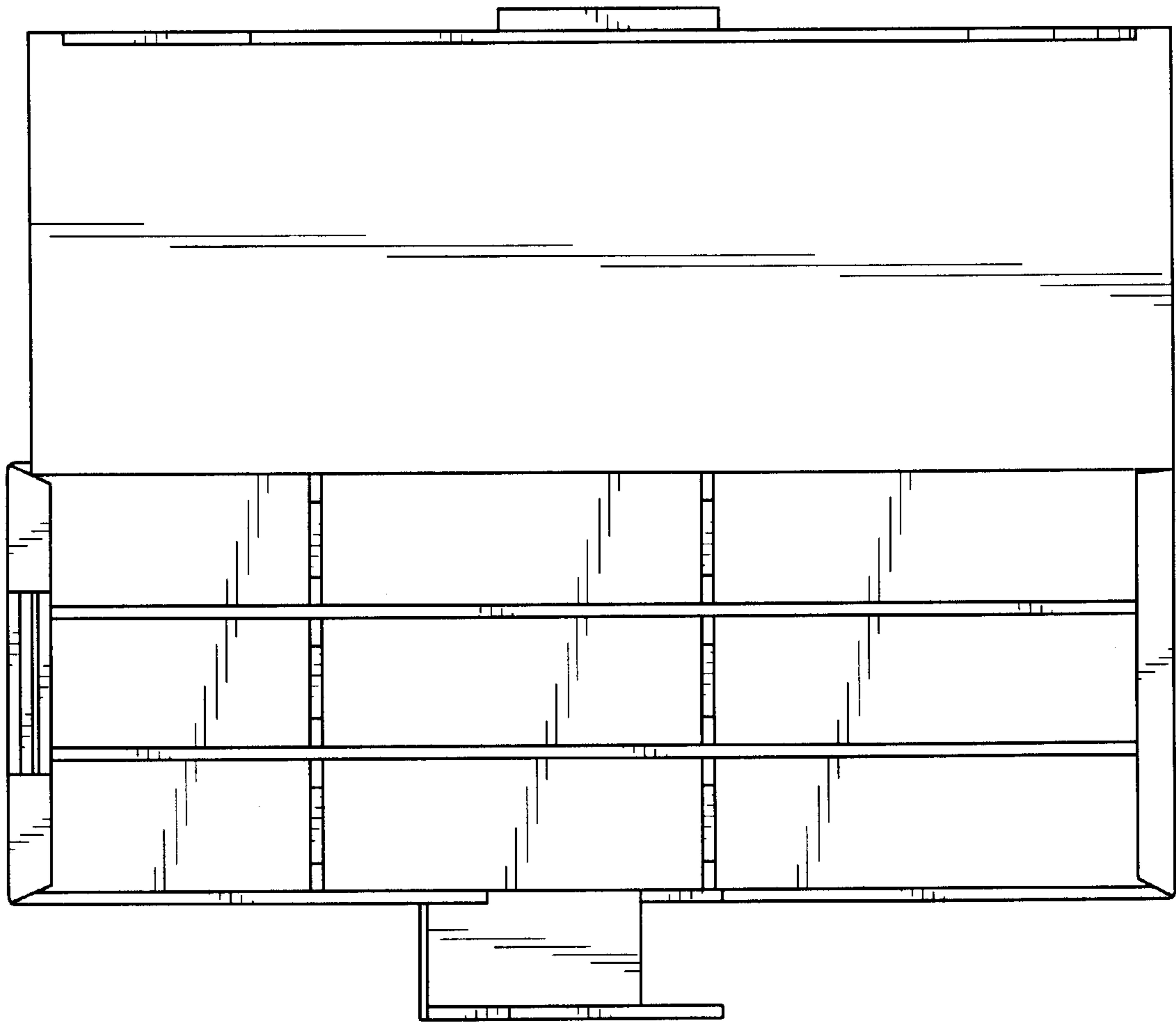


FIG. 9

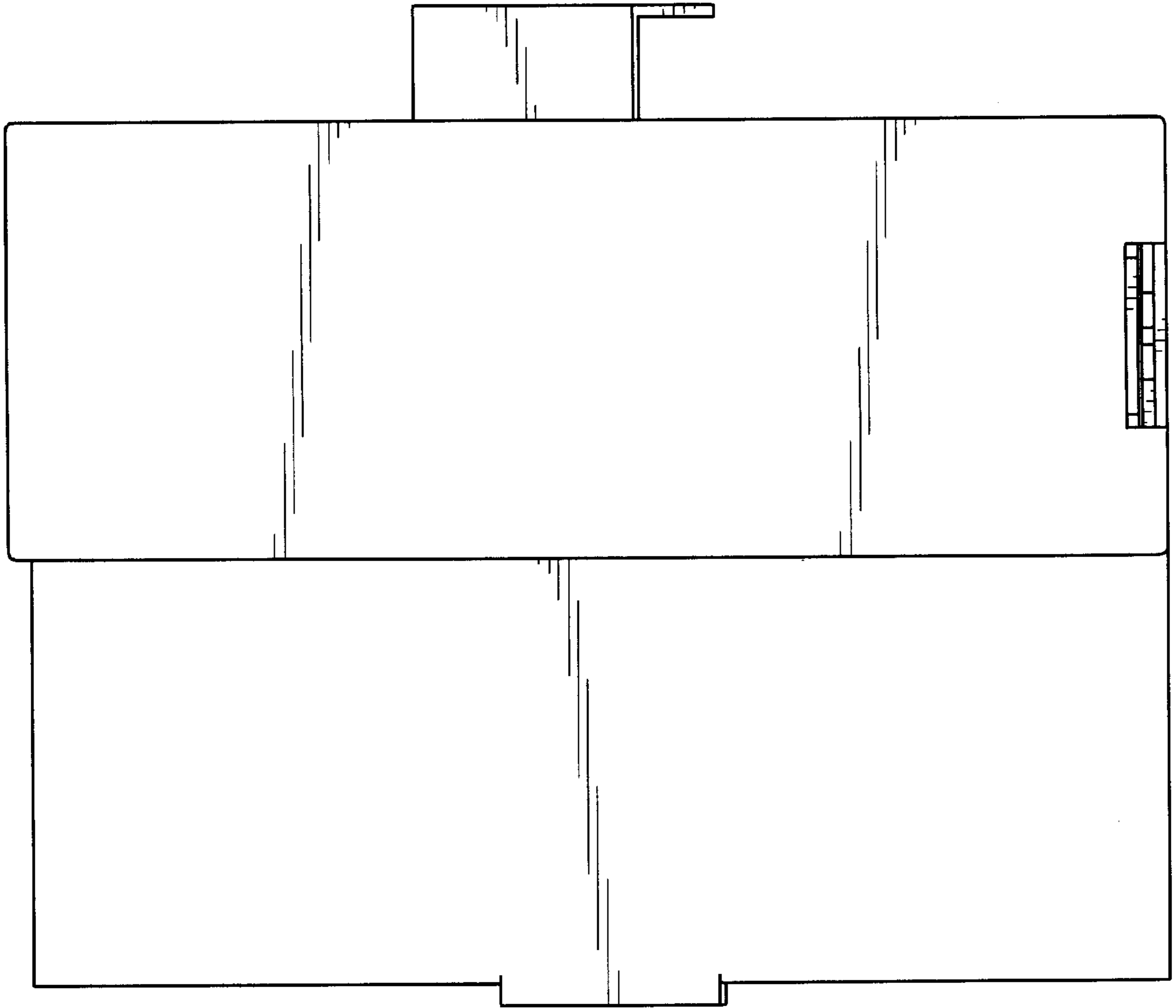


FIG. 10

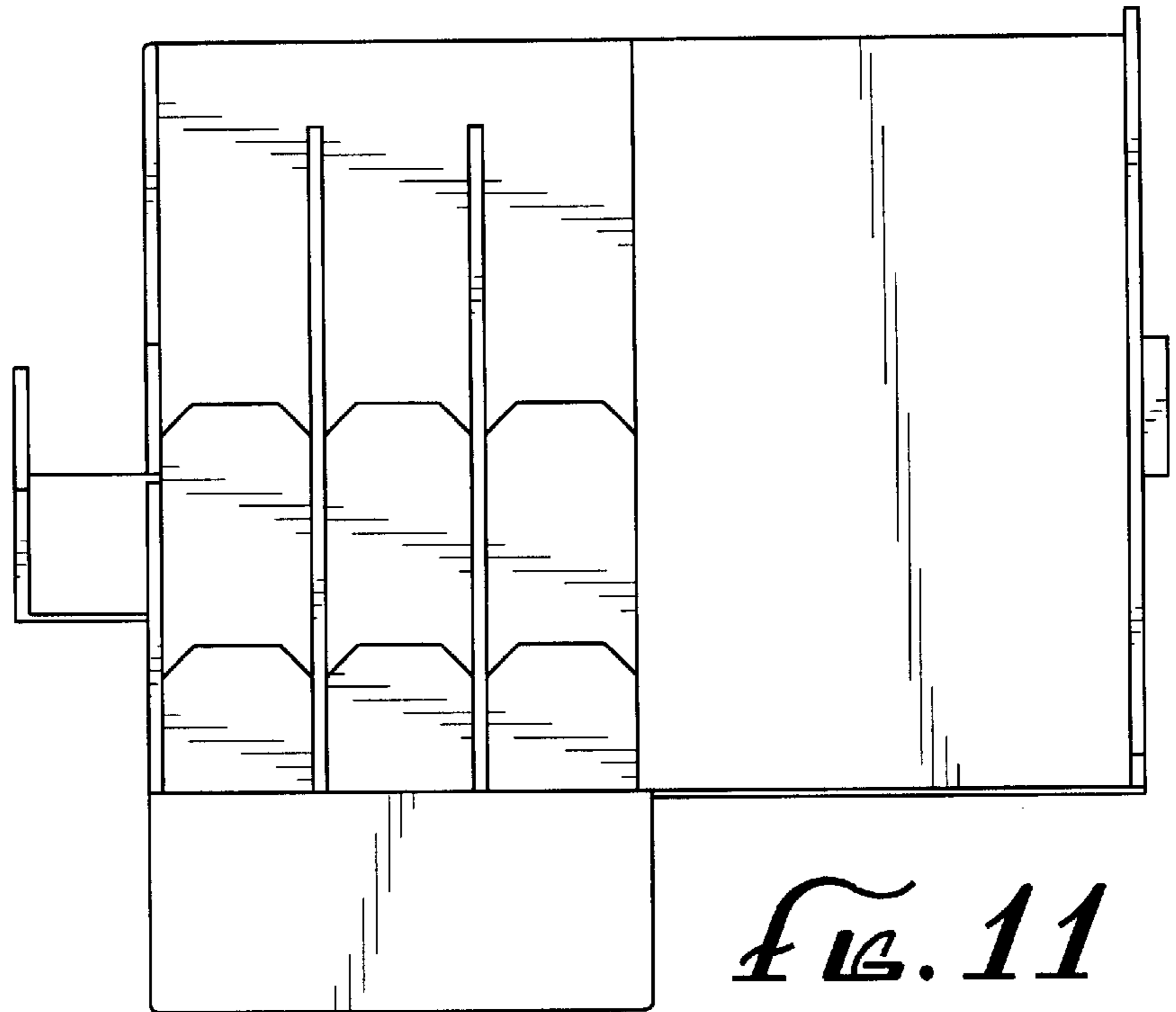


FIG. 11

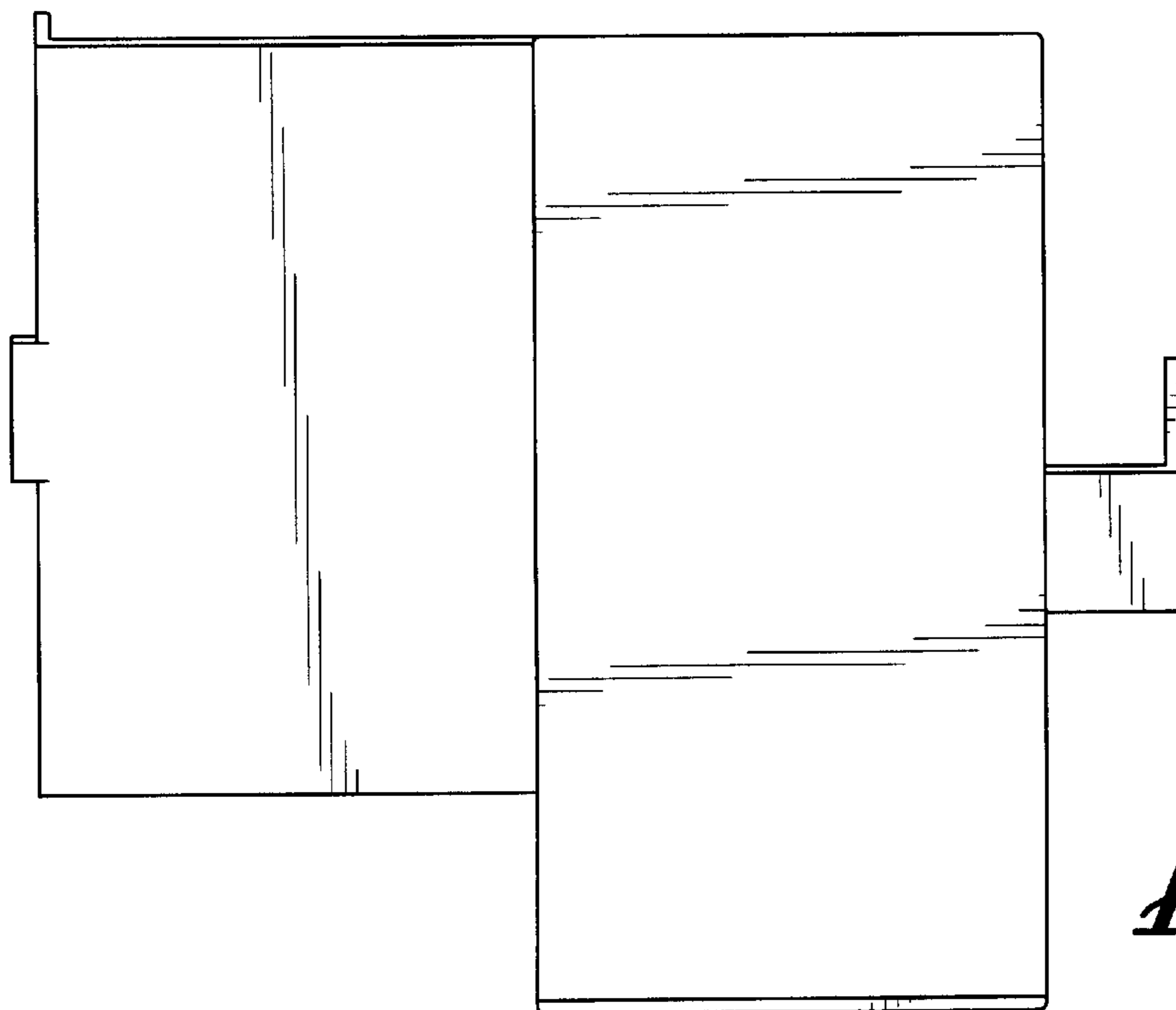


FIG. 12

