



US00D470048S

(12) **United States Design Patent**
Buchalski et al.

(10) **Patent No.:** **US D470,048 S**
(45) **Date of Patent:** **** Feb. 11, 2003**

(54) **RECTANGULAR FLUTED STACKABLE CONTAINER**

(75) Inventors: **Brian Buchalski**, Hamilton, NJ (US);
Wai Fun (Bill) Cheng, Livingston, NJ (US);
Yin Yeung (Michael) Lai, Edison, NJ (US)

(73) Assignee: **W. Y. Industries, Inc.**, North Bergen, NJ (US)

(**) Term: **14 Years**

(21) Appl. No.: **29/163,738**

(22) Filed: **Jul. 11, 2002**

(51) **LOC (7) Cl.** **09-03**

(52) **U.S. Cl.** **D9/425; D9/428; D9/429**

(58) **Field of Search** D9/428, 429, 430,
D9/341, 423-426, 346, 432, 418; D7/601,
602, 629; 206/216, 541, 508, 518, 557,
822, 521.1, 521.2, 823, 669, 776, 777;
229/406, 407, 4.5, 5.5, 902-906, 938, 116.1,
162; 220/4.21-4.27, 556, 244, 781, 669,
836-842, 674, 675, 912, 662; 426/106,
129, 130

(56) **References Cited**

U.S. PATENT DOCUMENTS

RE32,739 E	*	8/1988	Terauda	229/406
4,974,738 A	*	12/1990	Kidd et al.	220/4.24
5,046,659 A	*	9/1991	Warburton	220/4.23
5,377,860 A	*	1/1995	Littljohn et al.	220/4.21
D361,035 S	*	8/1995	Krupa	D9/425
D363,879 S	*	11/1995	Krupa et al.	D9/425
5,515,993 A	*	5/1996	McManus	229/406
D376,314 S	*	12/1996	Krupa	D9/425
D382,796 S	*	8/1997	Mangla	D9/425
D407,015 S	*	3/1999	Jones	D9/425
5,897,011 A	*	4/1999	Brilliant et al.	220/4.23
D409,485 S	*	5/1999	Christy, Jr.	D9/425
D439,159 S	*	3/2001	Chen	D9/425

OTHER PUBLICATIONS

Modern Packaging, p. 318, 1967.
Ultra Fresh Containers, p. 10, Mar. 1995.
Tenneco Packaging, p. 20, 1996.

* cited by examiner

Primary Examiner—Prabhakar Deshmukh

(74) *Attorney, Agent, or Firm*—Carella Byrne Bain
Gilfillan Cecchi Stewart & Olstein; Elliot M. Olstein;
William Squire

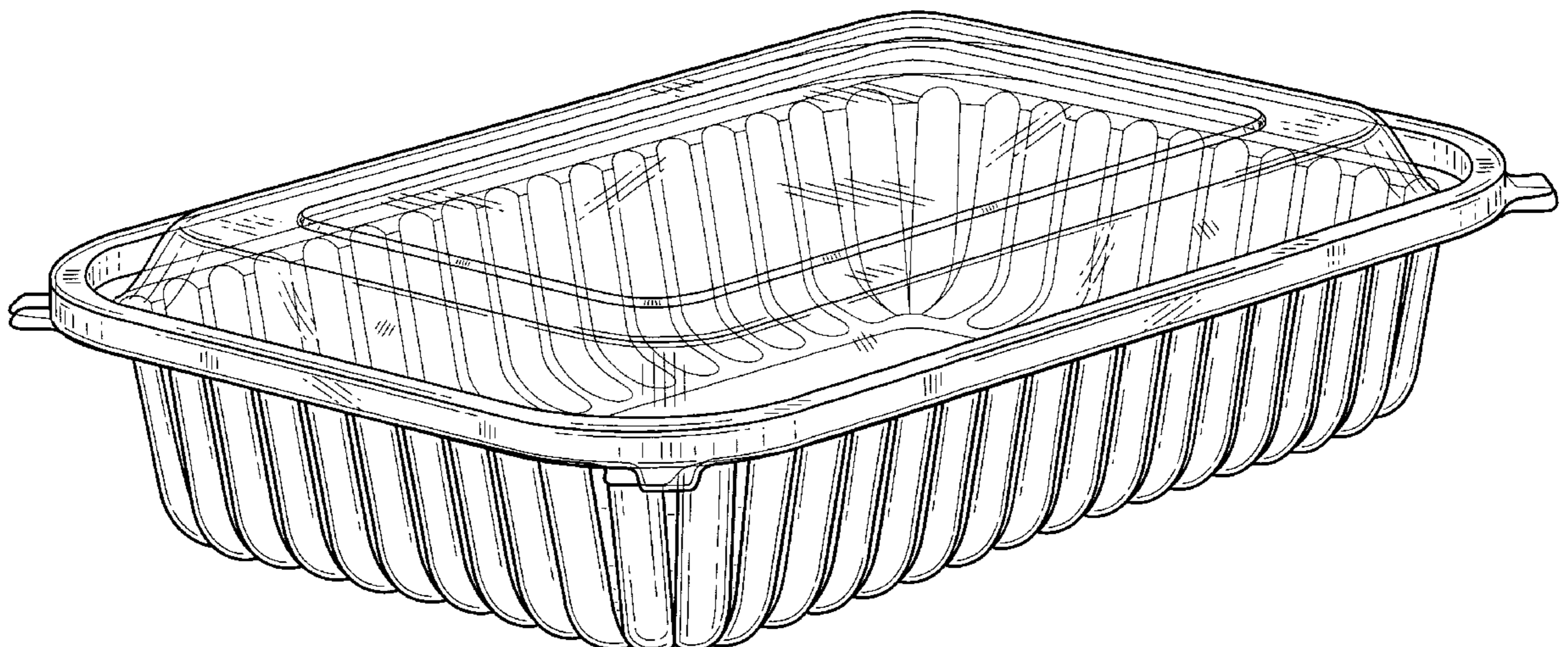
(57) **CLAIM**

The ornamental design for a rectangular fluted stackable container, as shown and described.

DESCRIPTION

FIG. 1 is a top perspective view of the container;
FIG. 2 is a top perspective view of the lid for the container shown separately for clarity;
FIG. 3 is a left side view of the lid for the container, the right side view being a mirror image, shown separately for clarity;
FIG. 4 is a front view of the lid for the container, the rear view being a mirror image, shown separately for clarity;
FIG. 5 is a top plan view of the lid for the container shown separately for clarity;
FIG. 6 is a bottom plan view of the lid for the container shown separately for clarity;
FIG. 7 is a top perspective view of the base for the container shown separately for clarity;
FIG. 8 is a left side view of the lid for the container, the right side view being a mirror image, shown separately for clarity;
FIG. 9 is a front view of the base for the container, the rear view being a mirror image, shown separately for clarity;
FIG. 10 is a top plan view of the base for the container shown separately for clarity; and,
FIG. 11 is a bottom plan view of the base for the container shown separately for clarity.

1 Claim, 7 Drawing Sheets



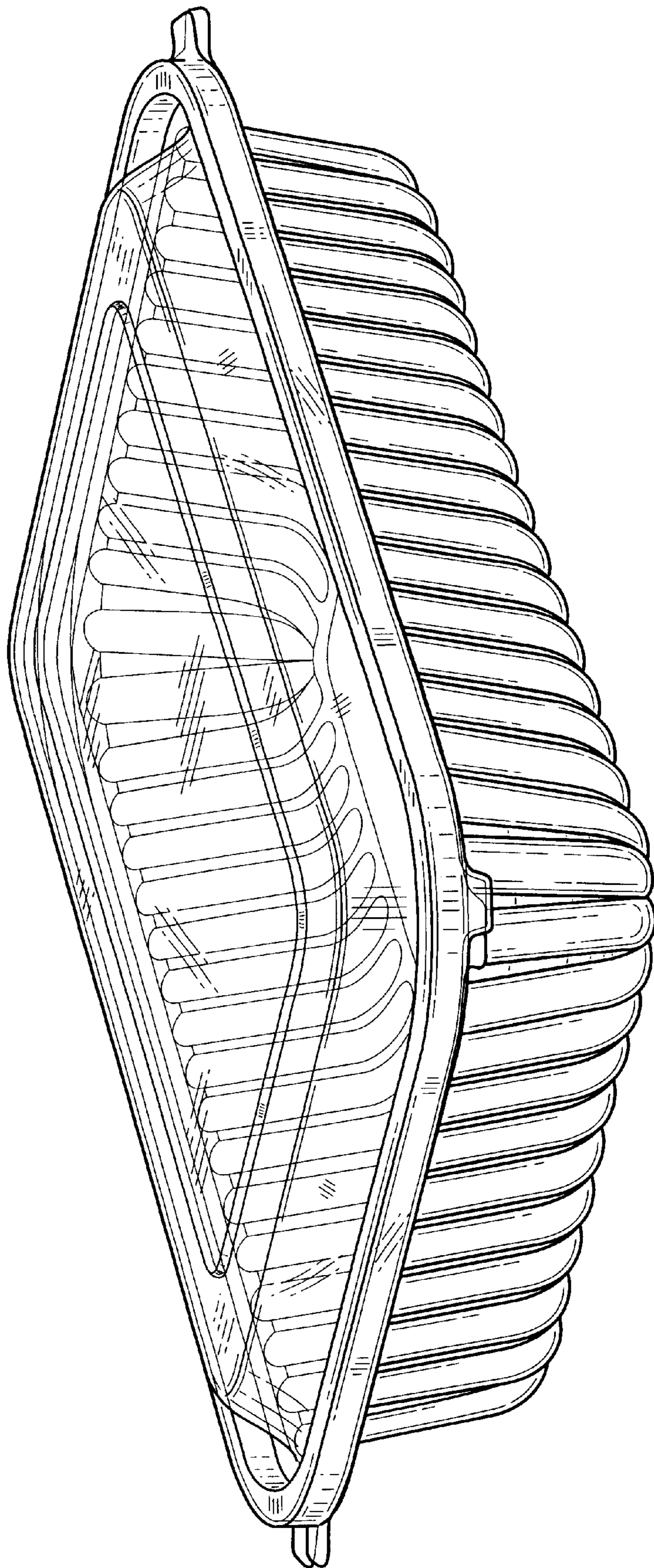


FIG. 1

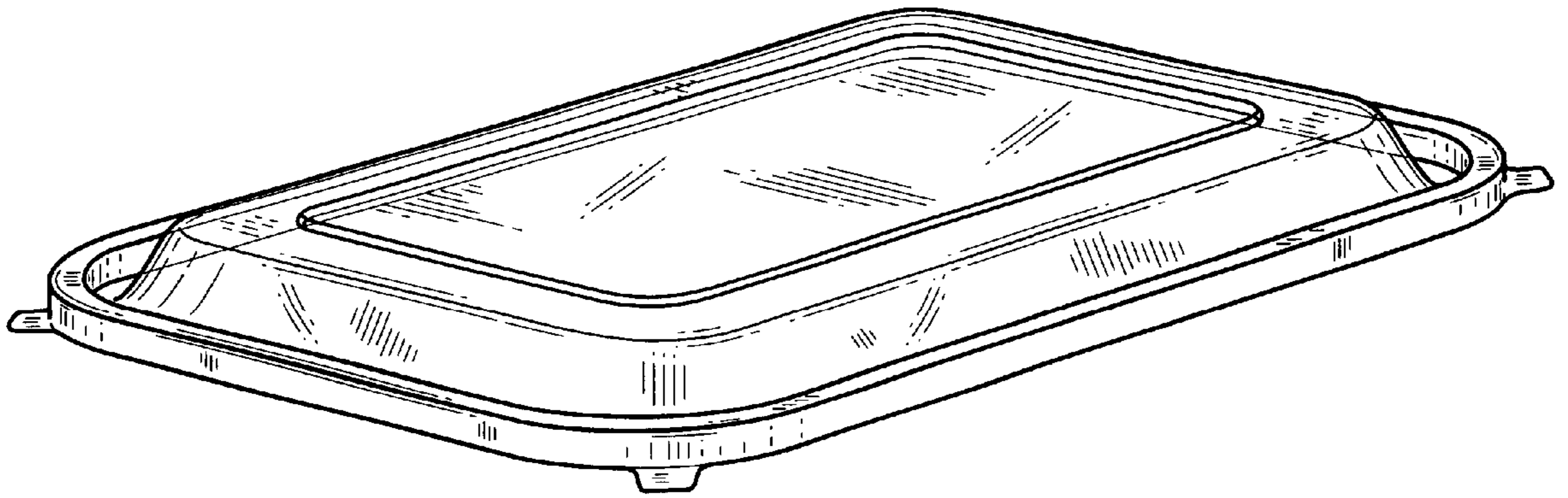


FIG. 2



FIG. 3

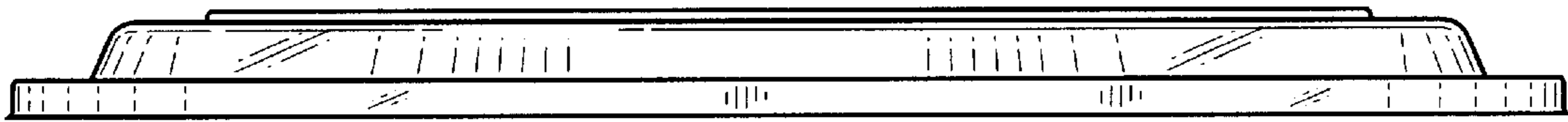


FIG. 4

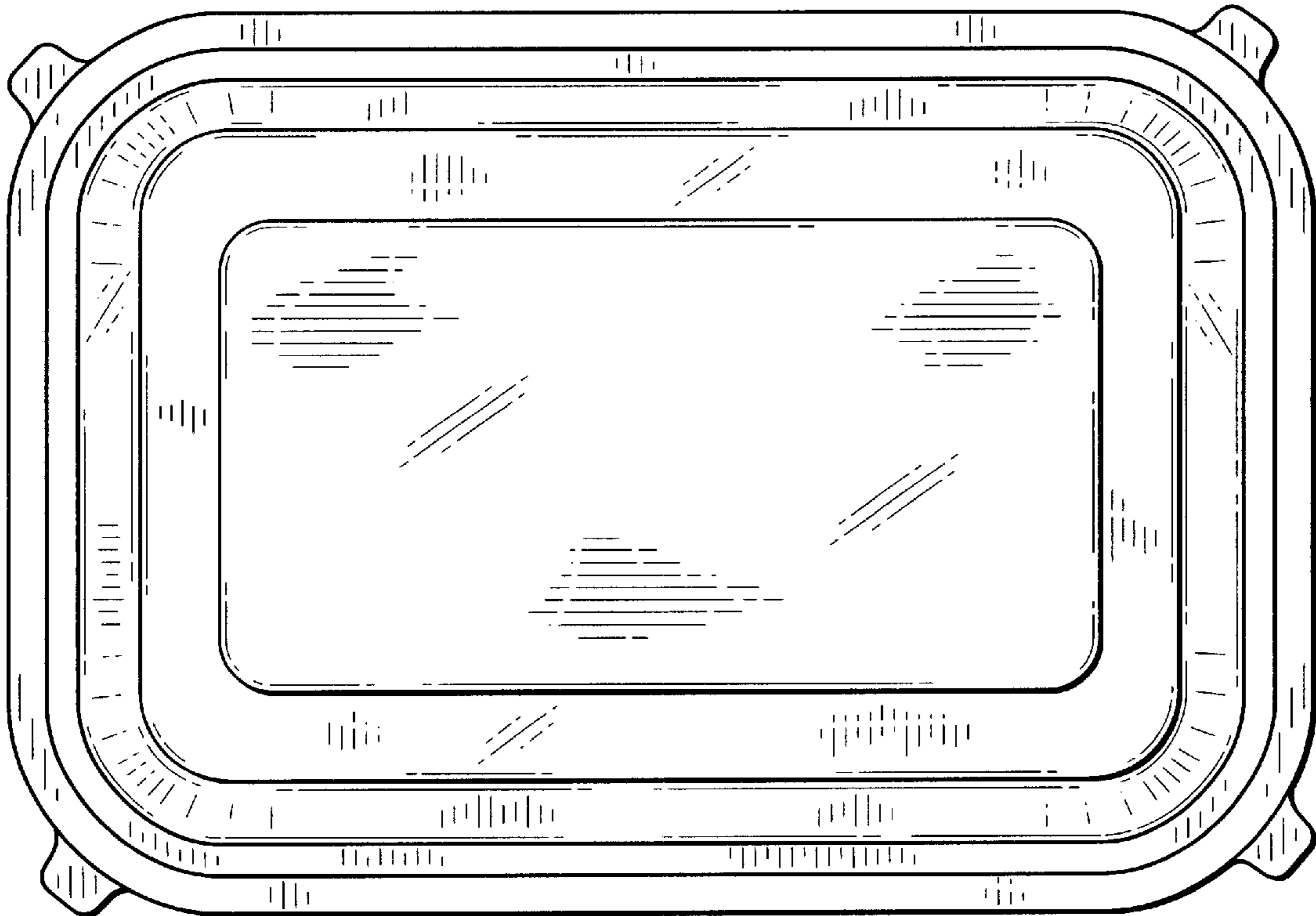


FIG. 5

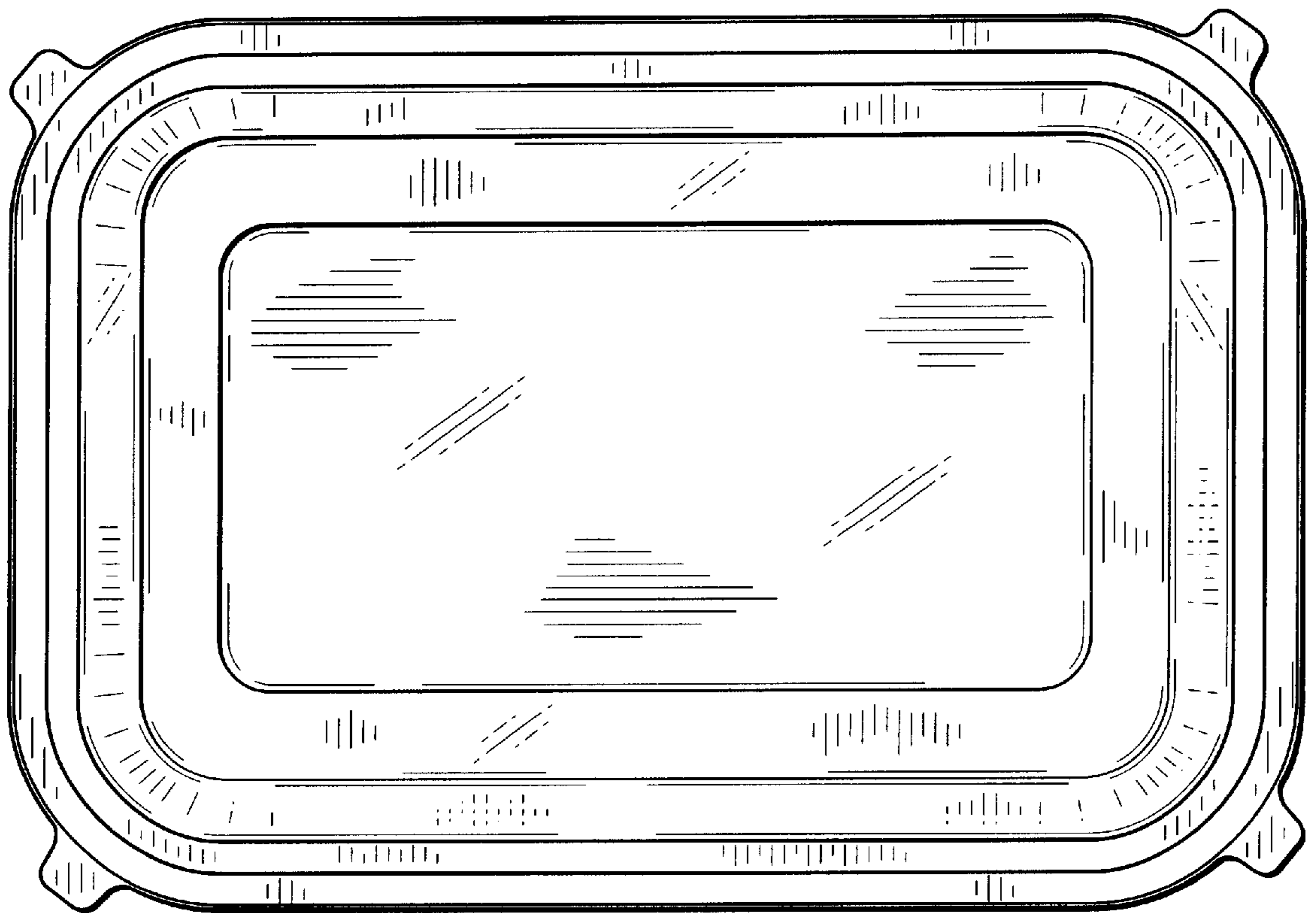


FIG. 6

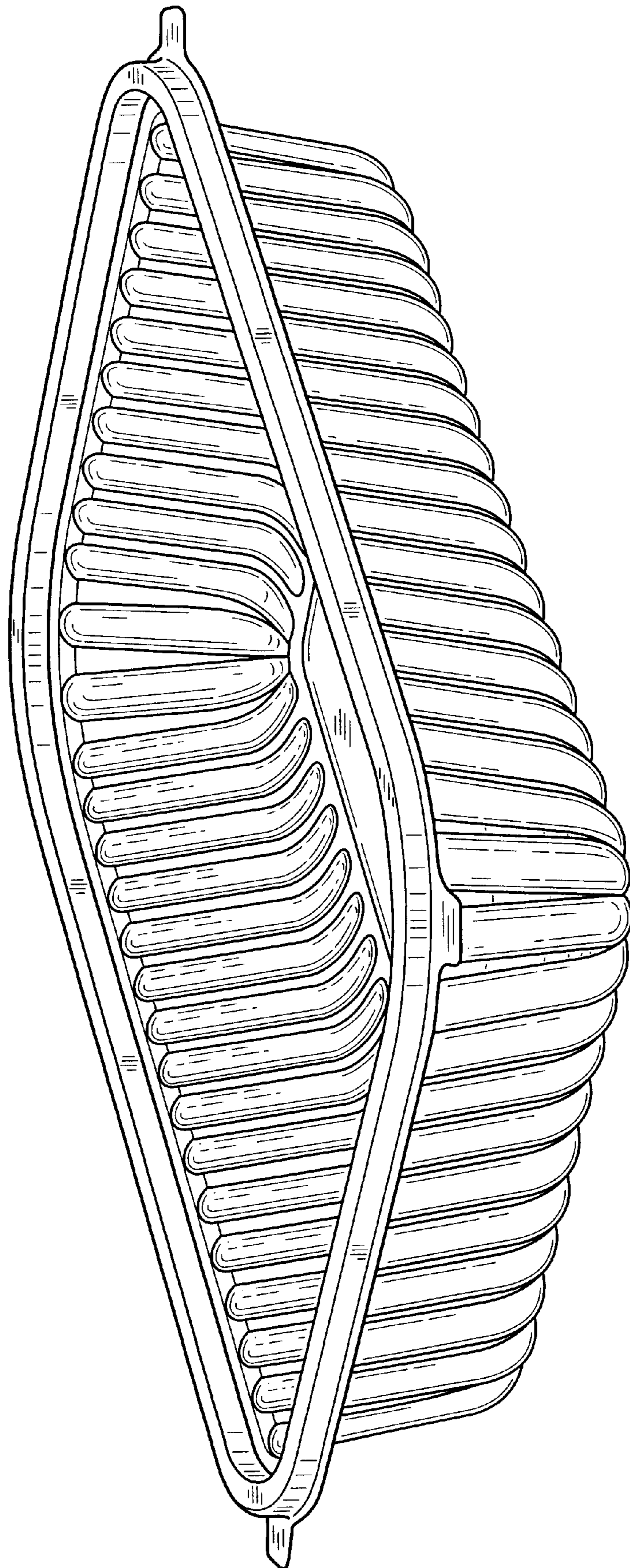


FIG. 7

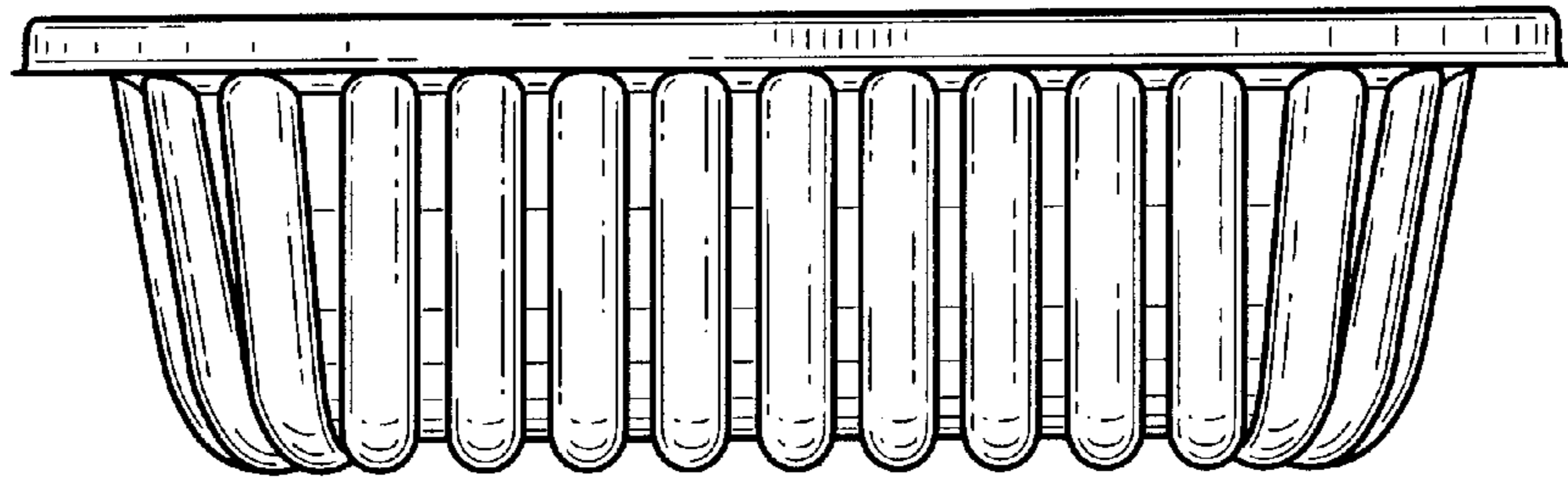


FIG. 8

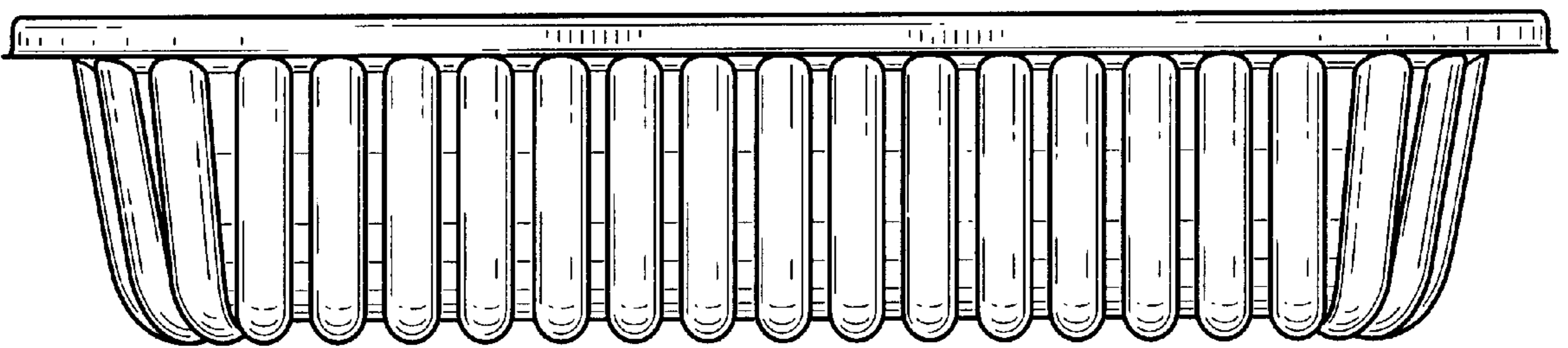


FIG. 9

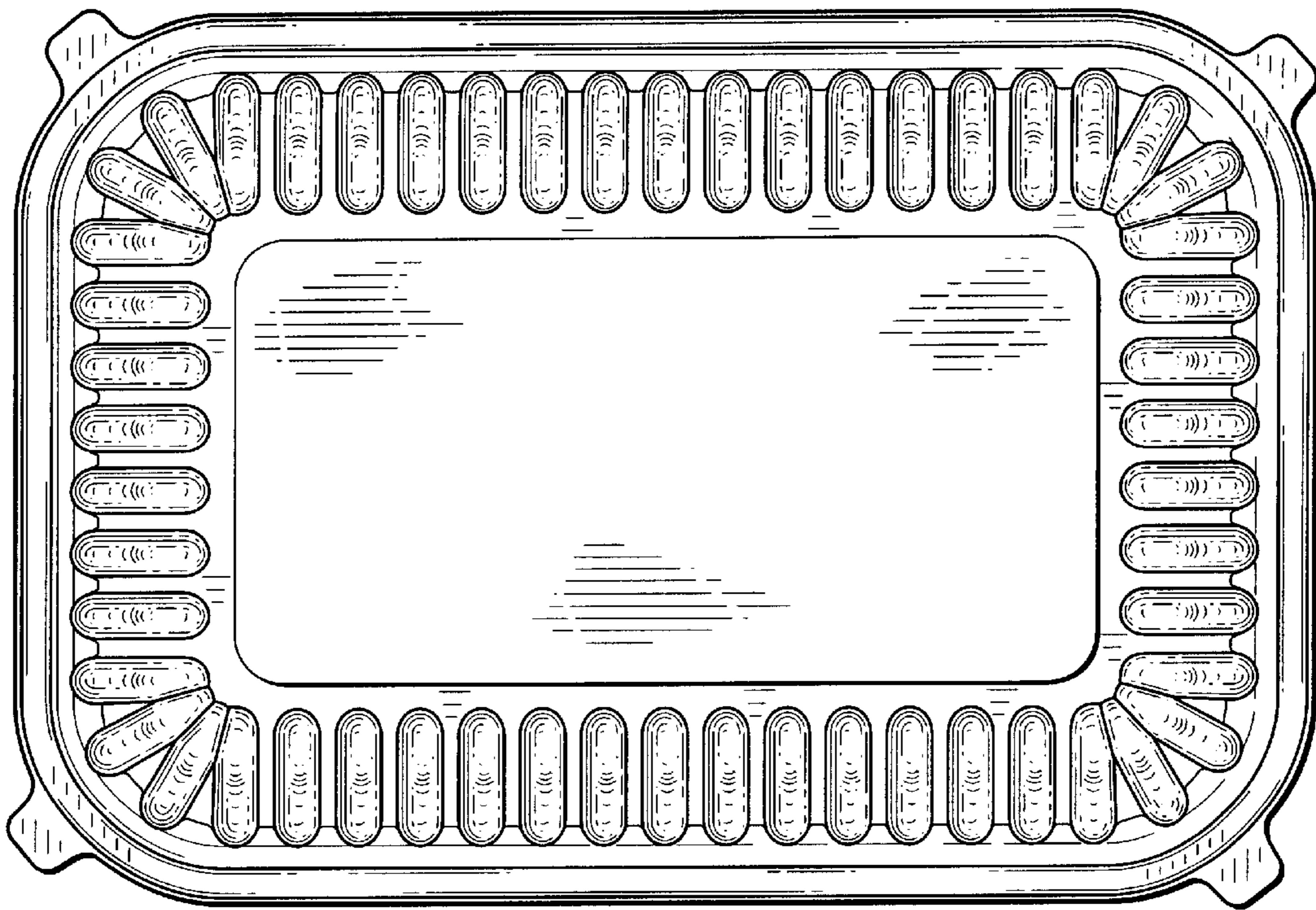


FIG. 10

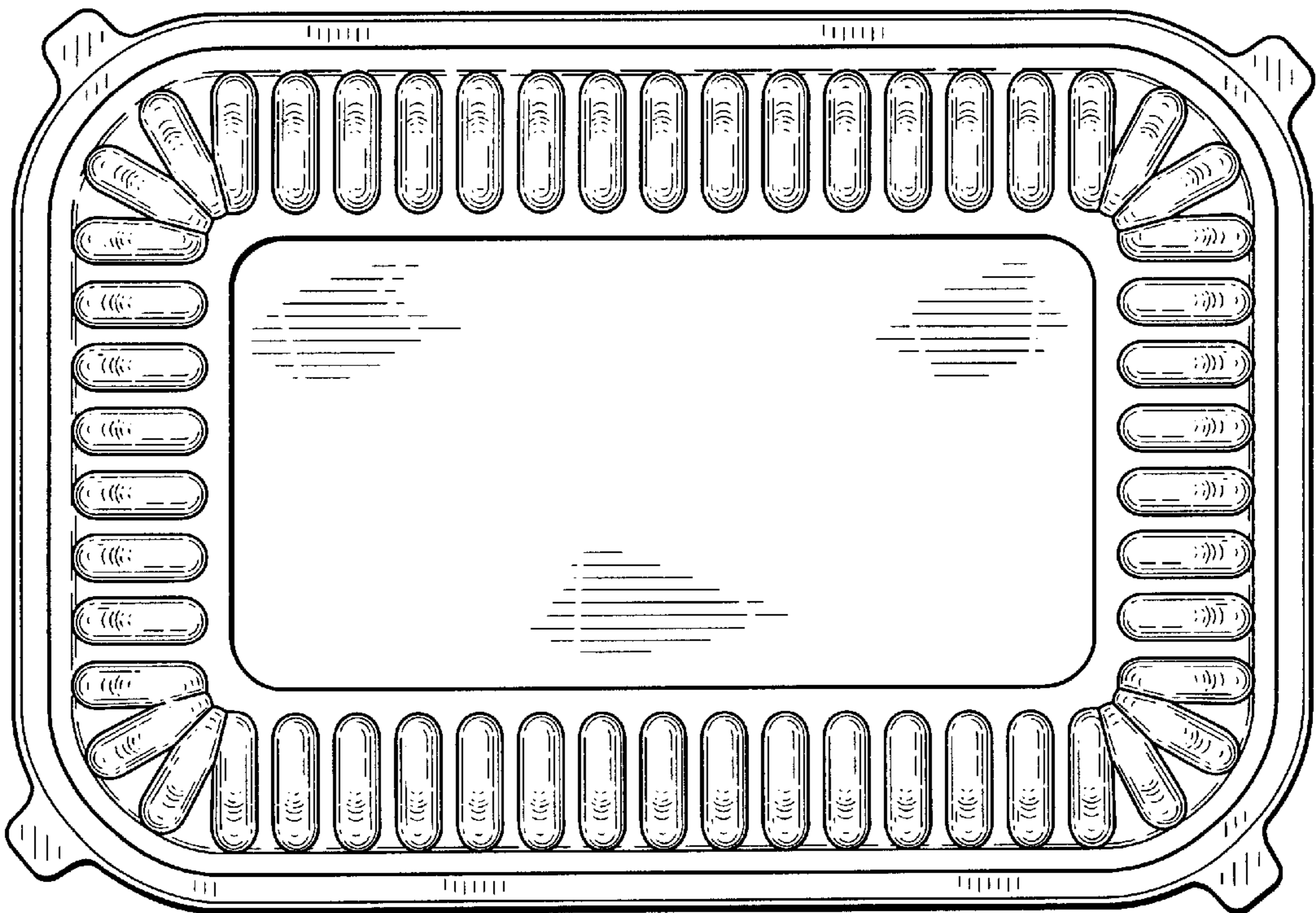


FIG. 11