



US00D470047S

(12) **United States Design Patent** (10) **Patent No.:** **US D470,047 S**
Lee et al. (45) **Date of Patent:** **** Feb. 11, 2003**

(54) **BATTERY DISPLAY PACKAGE**

(75) Inventors: **Kendrew Lee**, Fremont, CA (US);
Yasuhiro Yamamoto, San Francisco,
CA (US)

(73) Assignee: **Monster Cable Products, Inc.**,
Brisbane, CA (US)

(**) Term: **14 Years**

(21) Appl. No.: **29/165,965**

(22) Filed: **Aug. 19, 2002**

(51) **LOC (7) Cl.** **09-03**

(52) **U.S. Cl.** **D9/415; D9/418**

(58) **Field of Search** D9/415, 418, 337,
D9/456; 206/461-471, 806, 495, 703, 704,
705; 229/162

(56) **References Cited**

U.S. PATENT DOCUMENTS

| | | | | | | |
|-----------|----|---|---------|------------------|-------|---------|
| 5,462,161 | A | * | 10/1995 | Halaburda et al. | | 206/470 |
| D423,926 | S | * | 5/2000 | Keller et al. | | D9/415 |
| 6,244,444 | B1 | * | 6/2001 | Jacobus et al. | | 206/470 |
| D450,239 | S | * | 11/2001 | Otto | | D9/415 |
| D451,015 | S | * | 11/2001 | Otto | | D9/415 |
| D454,062 | S | * | 3/2002 | Garrant et al. | | D9/415 |
| D458,123 | S | * | 6/2002 | Rick et al. | | D9/415 |

* cited by examiner

Primary Examiner—Prabhakar Deshmukh

(74) *Attorney, Agent, or Firm*—LaRiviere, Grubman &
Payne, LLP

(57) **CLAIM**

The ornamental design for a battery display package, as shown and described.

DESCRIPTION

A portion of the disclosure of this design patent document contains material which is subject to copyright protection. The copyright owner has no objection to the facsimile reproduction by anyone of the patent document or the patent disclosure, as it appears in the United States Patent and Trademark Office patent file or records, but otherwise reserves all rights under the copyright laws of the United States (17 U.S.C. §106).

FIG. 1 is a perspective view of a battery display package, in accordance with the present invention.

FIG. 2 is an exploded perspective view thereof.

FIG. 3 is an exploded front view thereof.

FIG. 4 is a top view thereof.

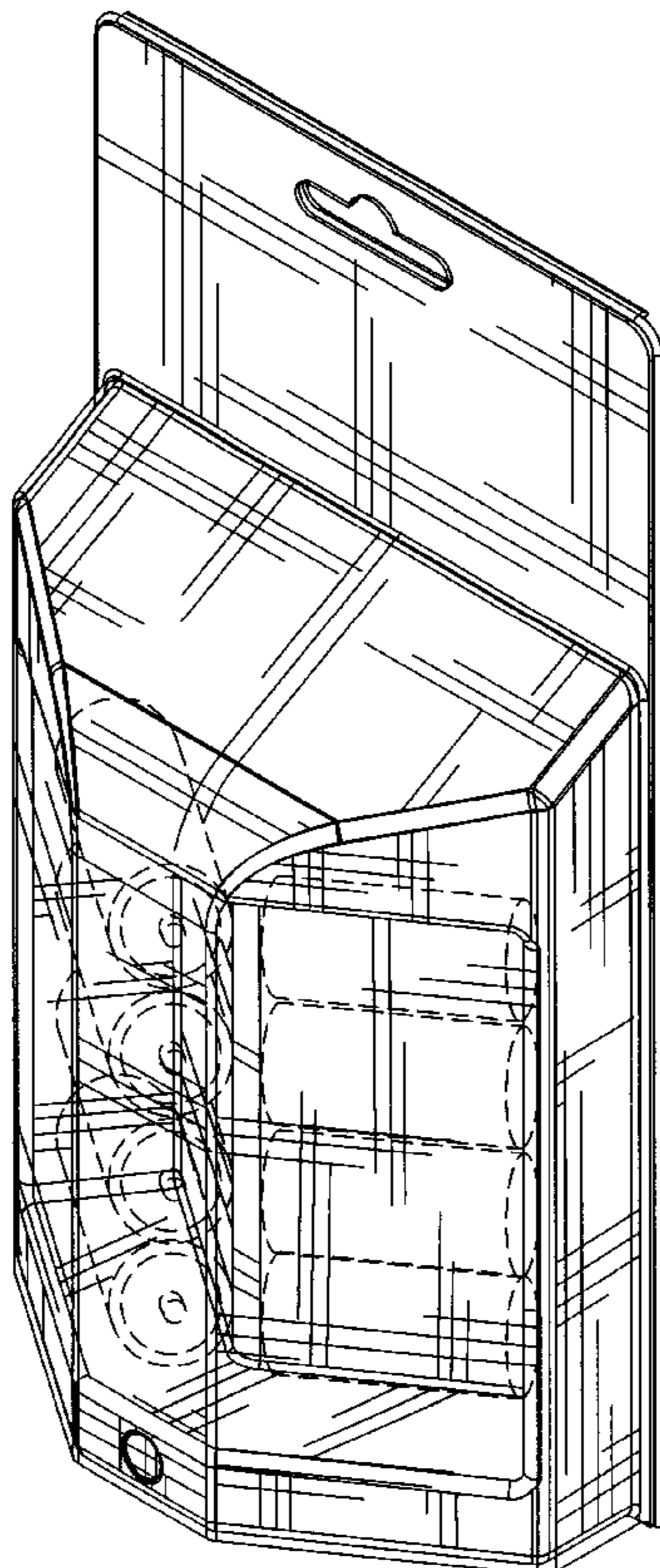
FIG. 5 is a bottom view thereof.

FIG. 6 is a right side view thereof with the opposite side view being a mirror image thereof; and,

FIG. 7 is a back side view thereof.

FIGS. 2, 3, 6 and 7 are drawn in reduced scale.

1 Claim, 4 Drawing Sheets



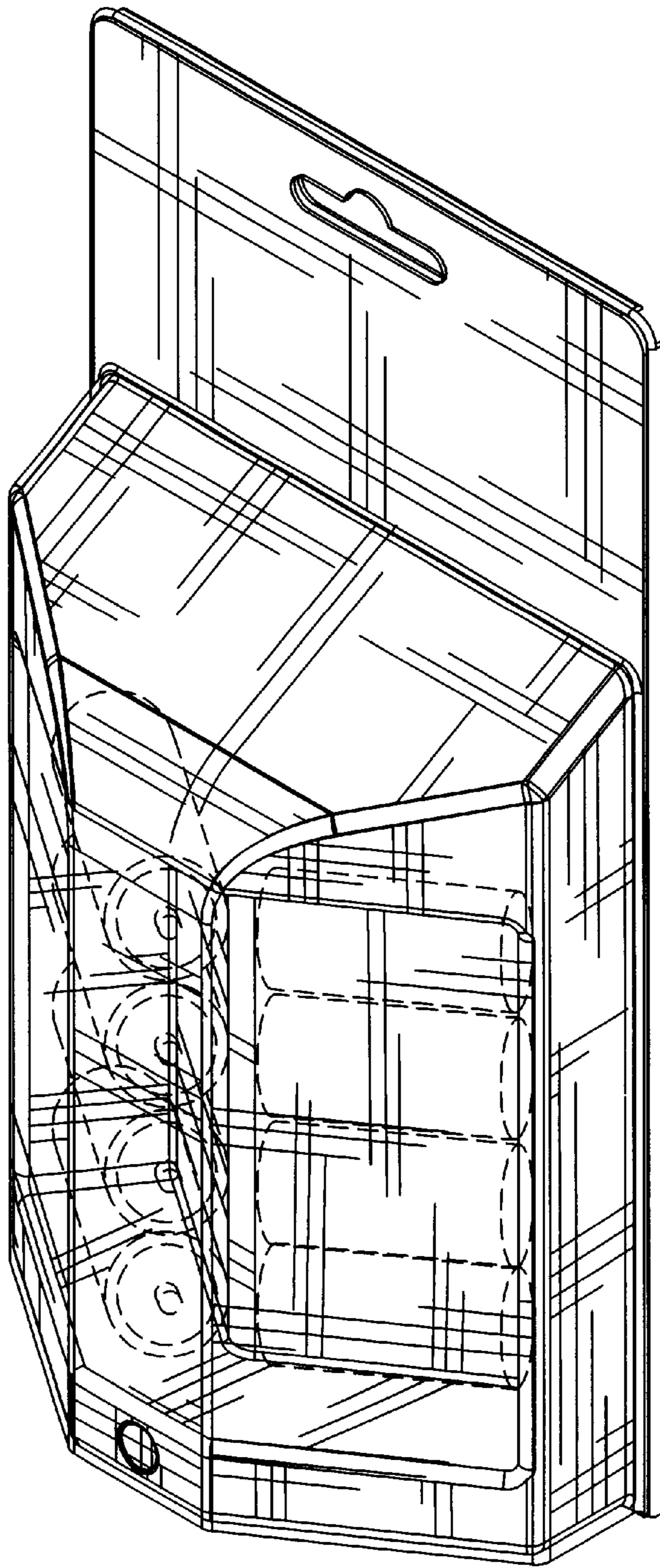


Figure 1

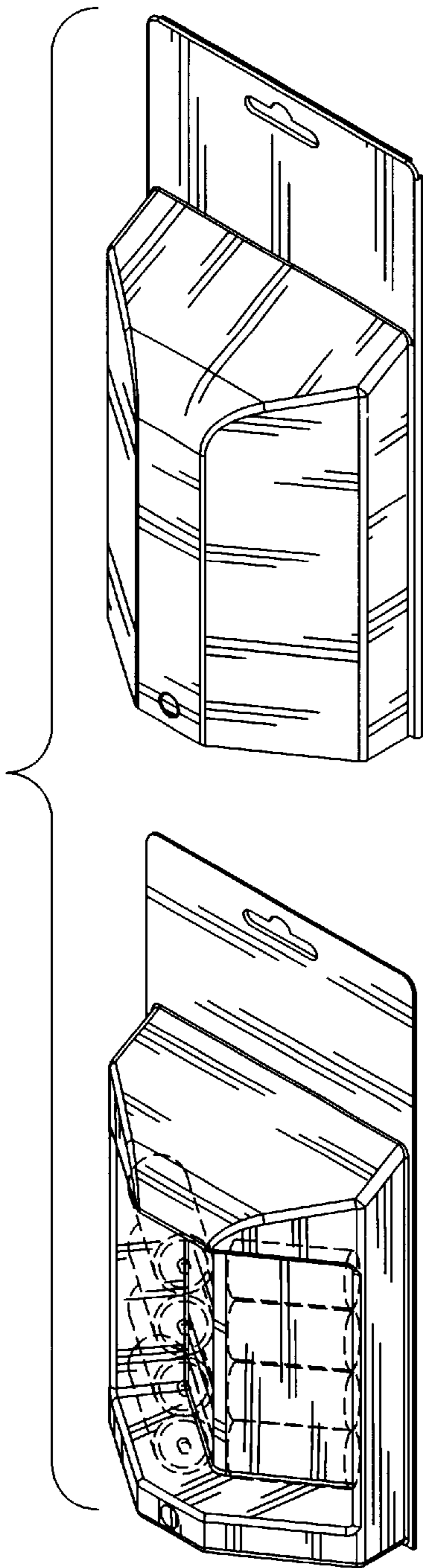


Figure 2

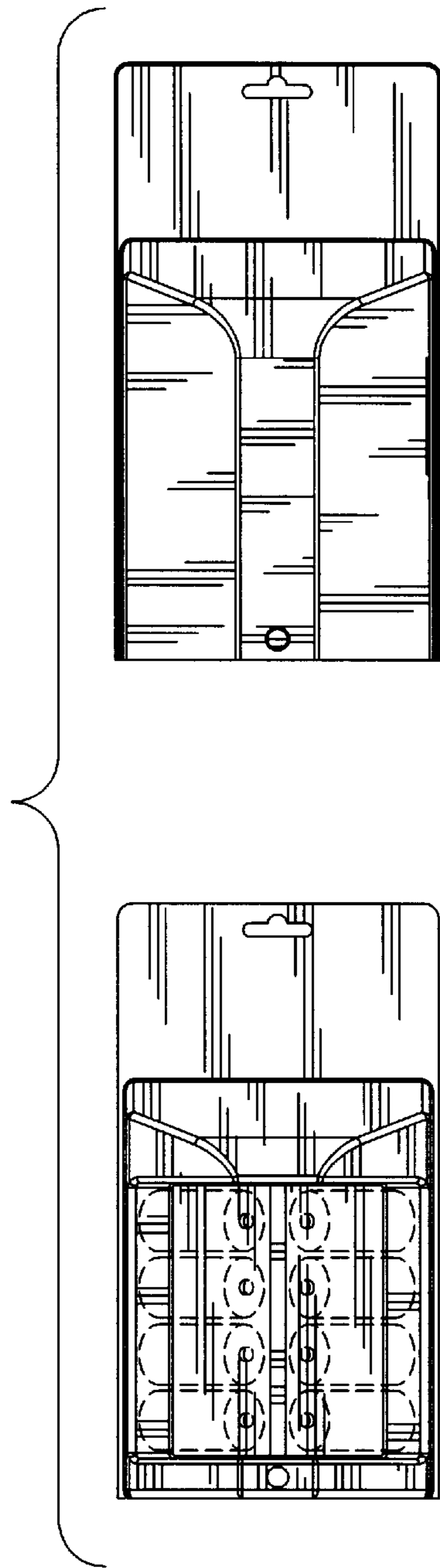


Figure 3

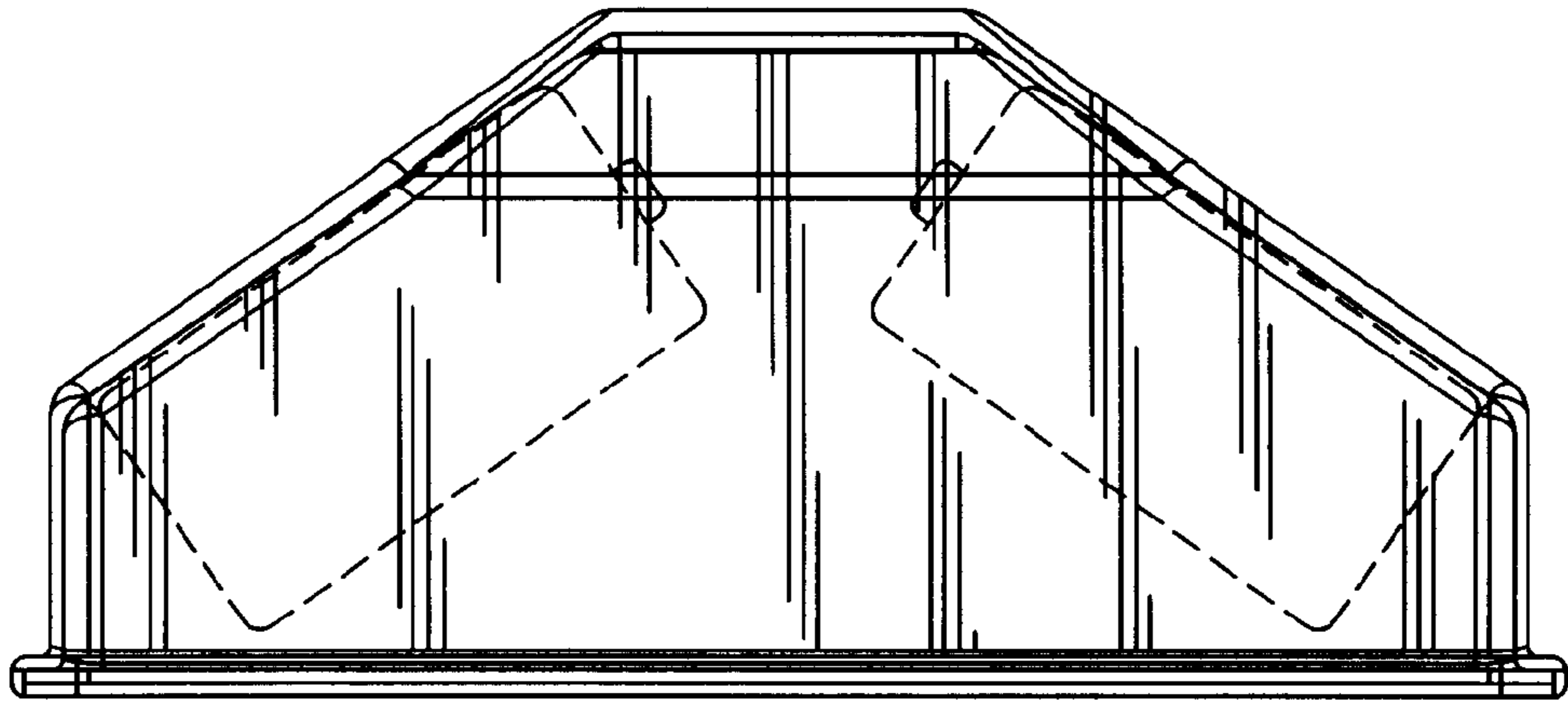


Figure 4

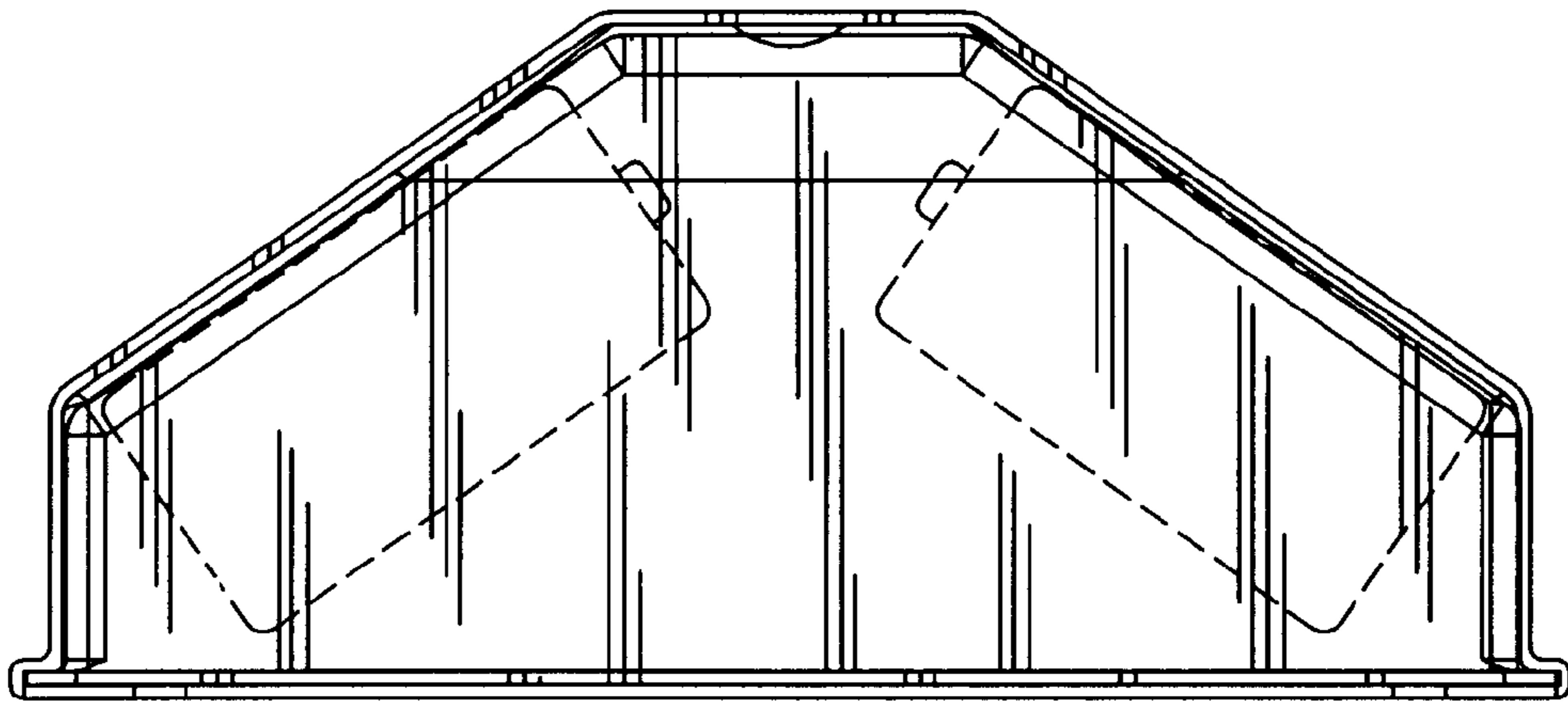


Figure 5

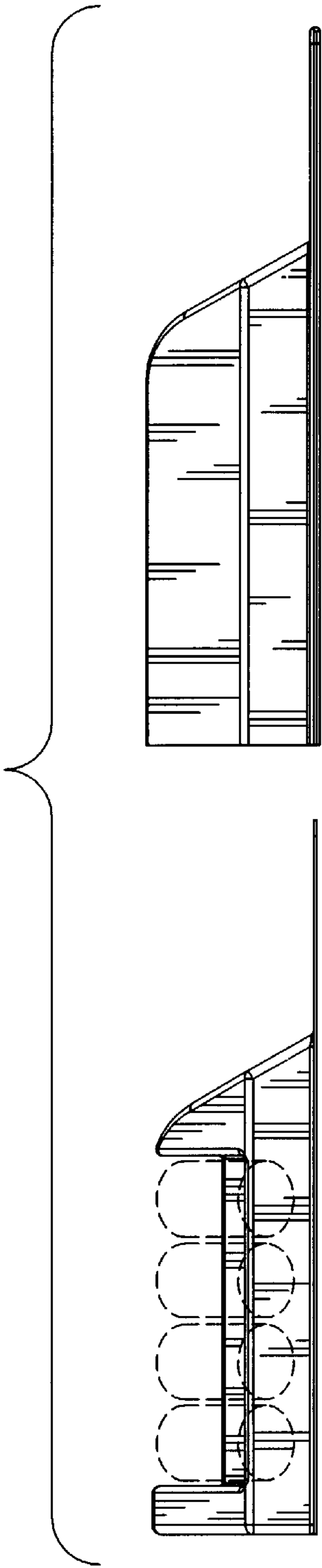


Figure 6

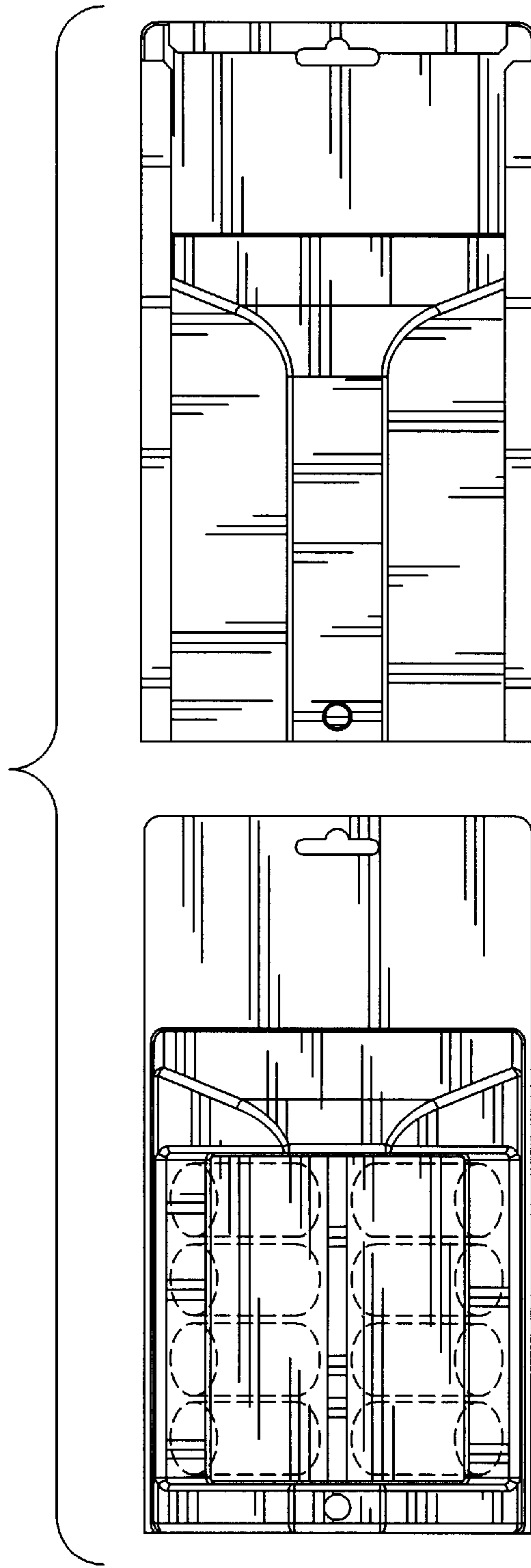


Figure 7

UNITED STATES PATENT AND TRADEMARK OFFICE
CERTIFICATE OF CORRECTION

PATENT NO. : Des. 470,047 S
DATED : February 11, 2003
INVENTOR(S) : Kendrew Lee and Yasuhiro Yamamoto

Page 1 of 1

It is certified that error appears in the above-identified patent and that said Letters Patent is hereby corrected as shown below:

Drawings,
Figures 1-7, add -- © 2002 Monster Cable Products, Inc. --

Signed and Sealed this

Third Day of June, 2003

A handwritten signature in black ink, appearing to read "James E. Rogan", written over a horizontal line.

JAMES E. ROGAN
Director of the United States Patent and Trademark Office