



US00D470046S

(12) **United States Design Patent**
Chao

(10) **Patent No.:** **US D470,046 S**

(45) **Date of Patent:** **** Feb. 11, 2003**

(54) **TOOL BOX**

(76) Inventor: **Hsien-Ying Chao**, 58, Ma Yuan West St., Taichung (TW)

(**) Term: **14 Years**

(21) Appl. No.: **29/164,492**

(22) Filed: **Jul. 23, 2002**

(51) **LOC (7) Cl.** **09-03**

(52) **U.S. Cl.** **D9/415**

(58) **Field of Search** D9/415, 414, 418, D9/332, 341; D3/905, 273; D8/71; D6/400; 206/461-471, 806, 372-379, 349, 206, 207, 234, 443; 211/69, 70.6; 312/902

(56) **References Cited**

U.S. PATENT DOCUMENTS

4,570,818	A	*	2/1986	Borst et al.	D9/426	X
5,462,167	A	*	10/1995	Pollinski et al.	206/470	
D418,406	S	*	1/2000	Liao	D9/415	
D433,627	S	*	11/2000	Vasudeva	D9/415	
D449,518	S	*	10/2001	Snider et al.	D9/415	
D459,223	S	*	6/2002	Lai	D9/418	

* cited by examiner

Primary Examiner—Prabhakar Deshmukh

(57) **CLAIM**

The ornamental design for a tool box, as shown and described.

DESCRIPTION

FIG. 1 is a front elevational view of a tool box showing my design;

FIG. 2 is a rear elevational view thereof;

FIG. 3 is a left side elevational view thereof;

FIG. 4 is a right side elevational view thereof;

FIG. 5 is a top plan view thereof;

FIG. 6 is a bottom plan view thereof;

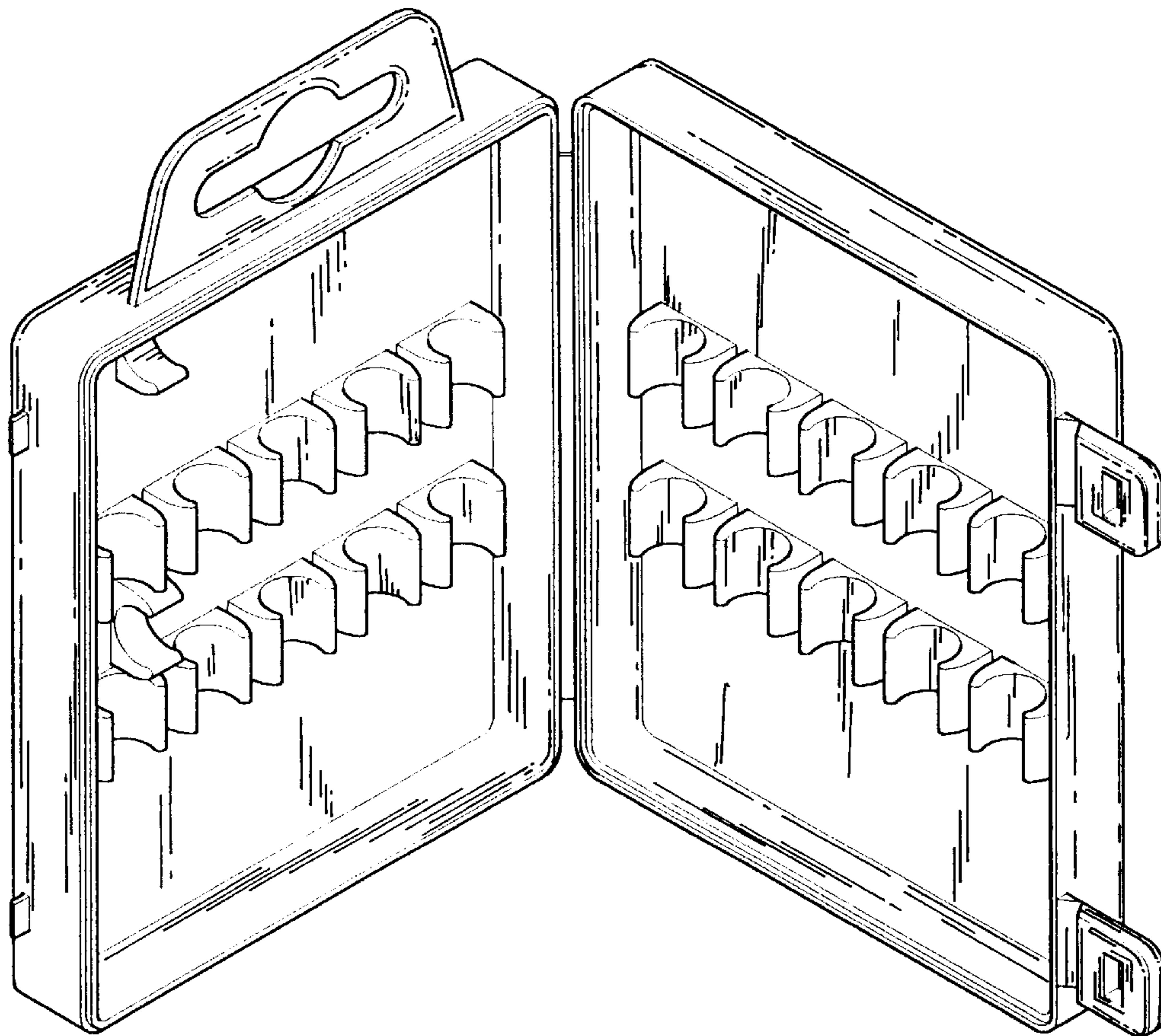
FIG. 7 is a perspective view thereof;

FIG. 8 is a schematic view illustrating a tool box is opened; and,

FIG. 9 is a schematic view illustrating a tool box receives a plurality of screwdrivers.

The broken lines of screwdrivers and the bracket are for illustrative purpose only and forms no part of the claimed design.

1 Claim, 6 Drawing Sheets



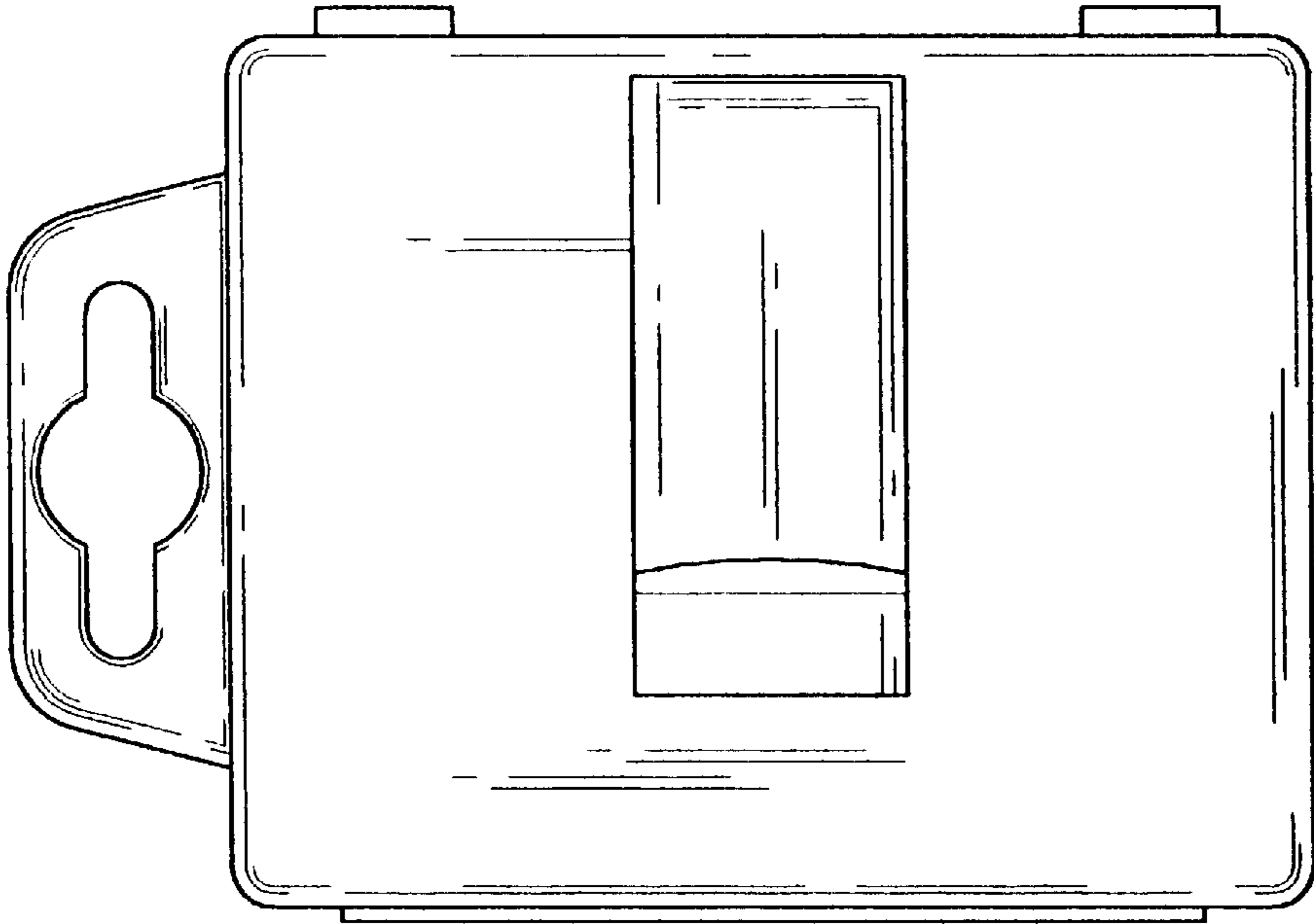


FIG. 2

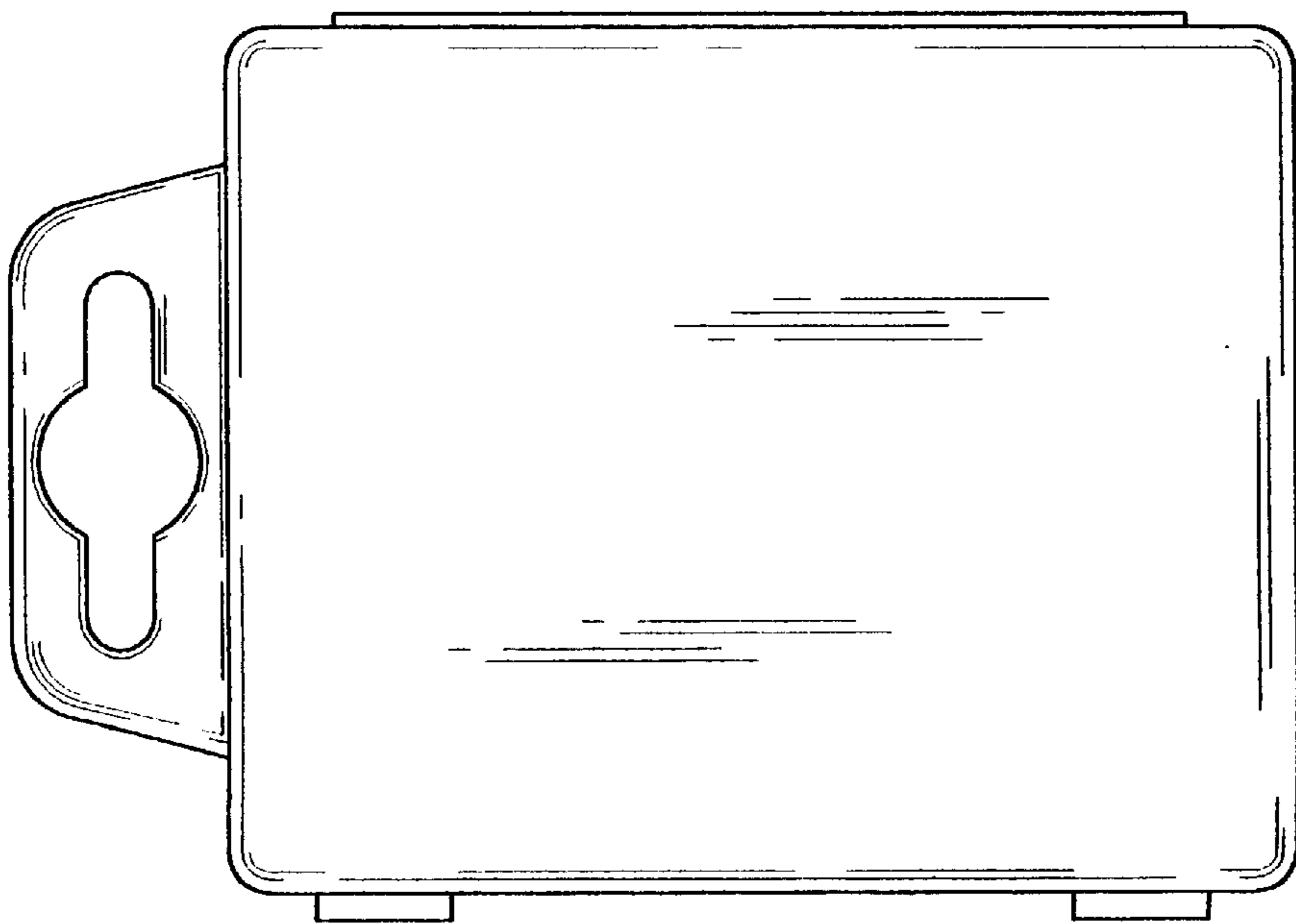


FIG. 1

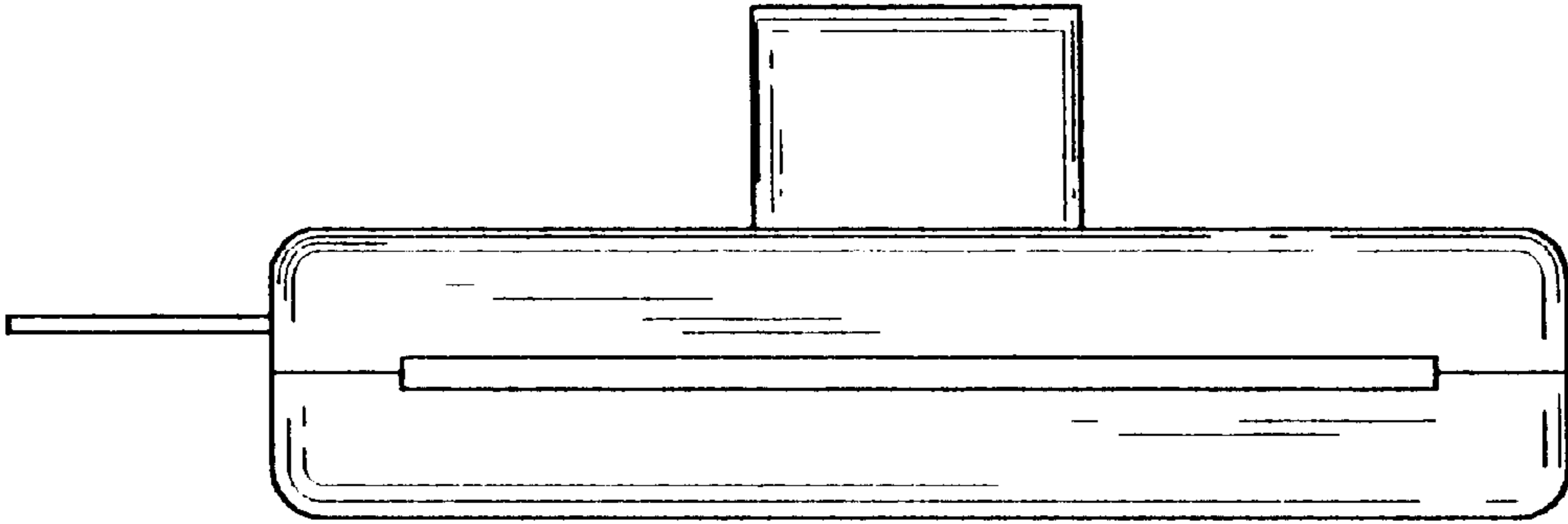


FIG. 4

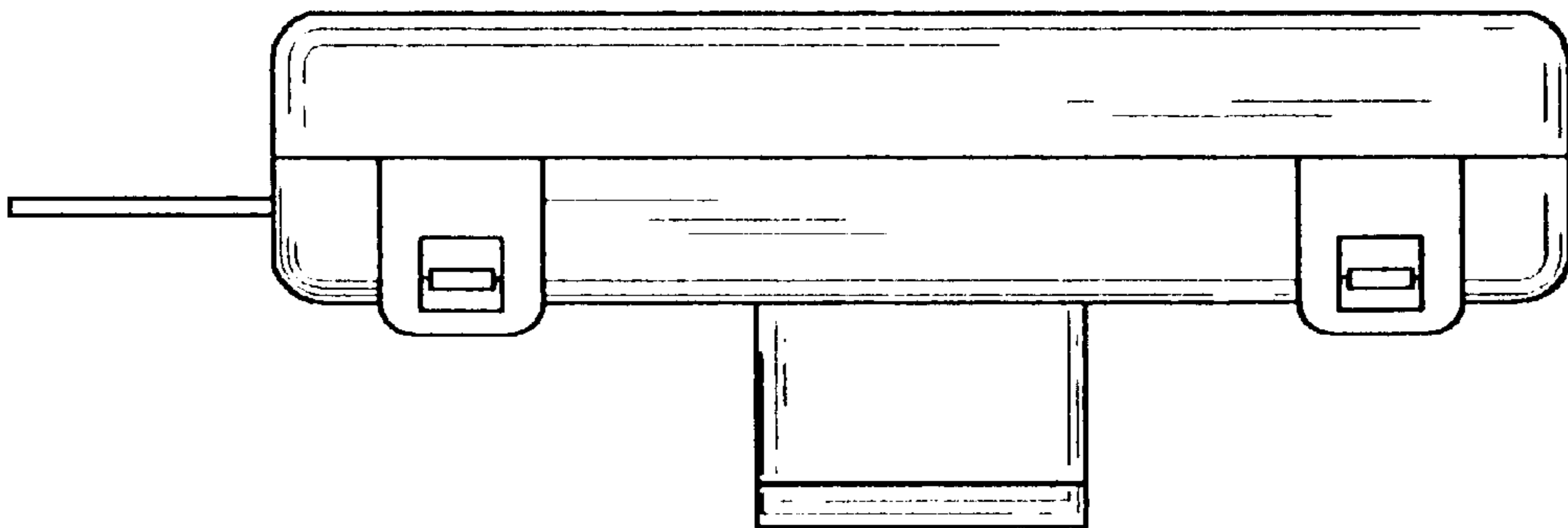


FIG. 3

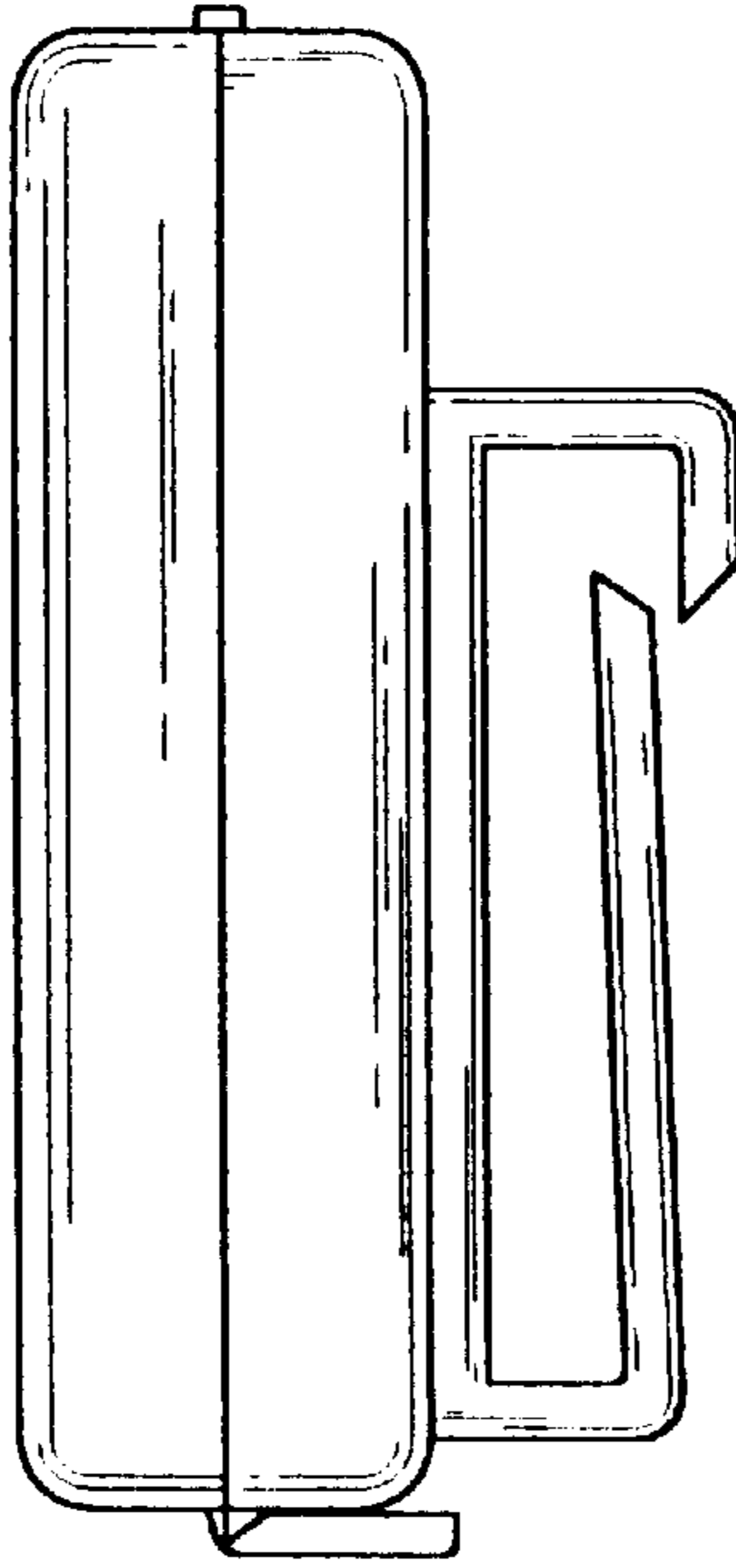


FIG. 6

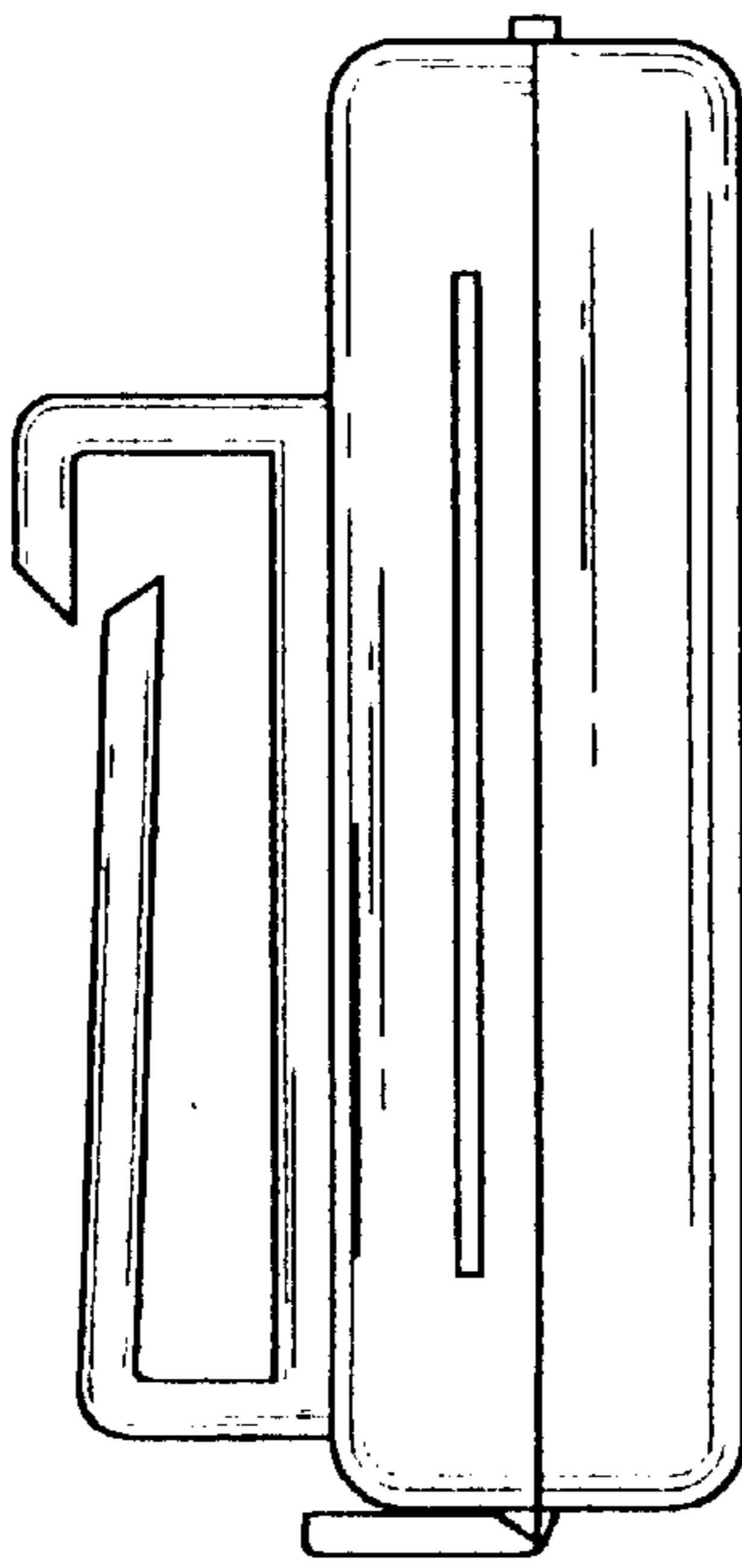


FIG. 5

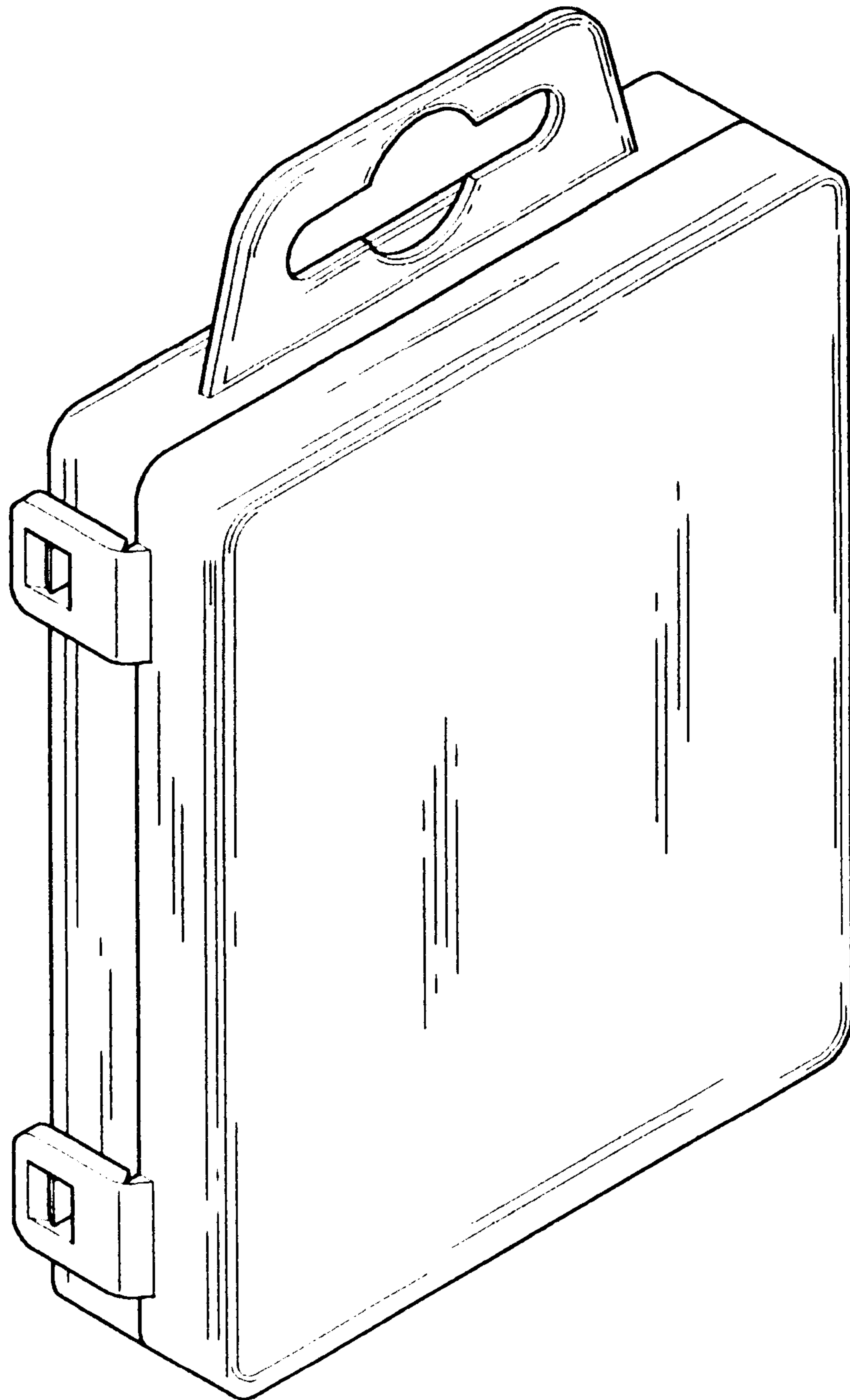


FIG. 7

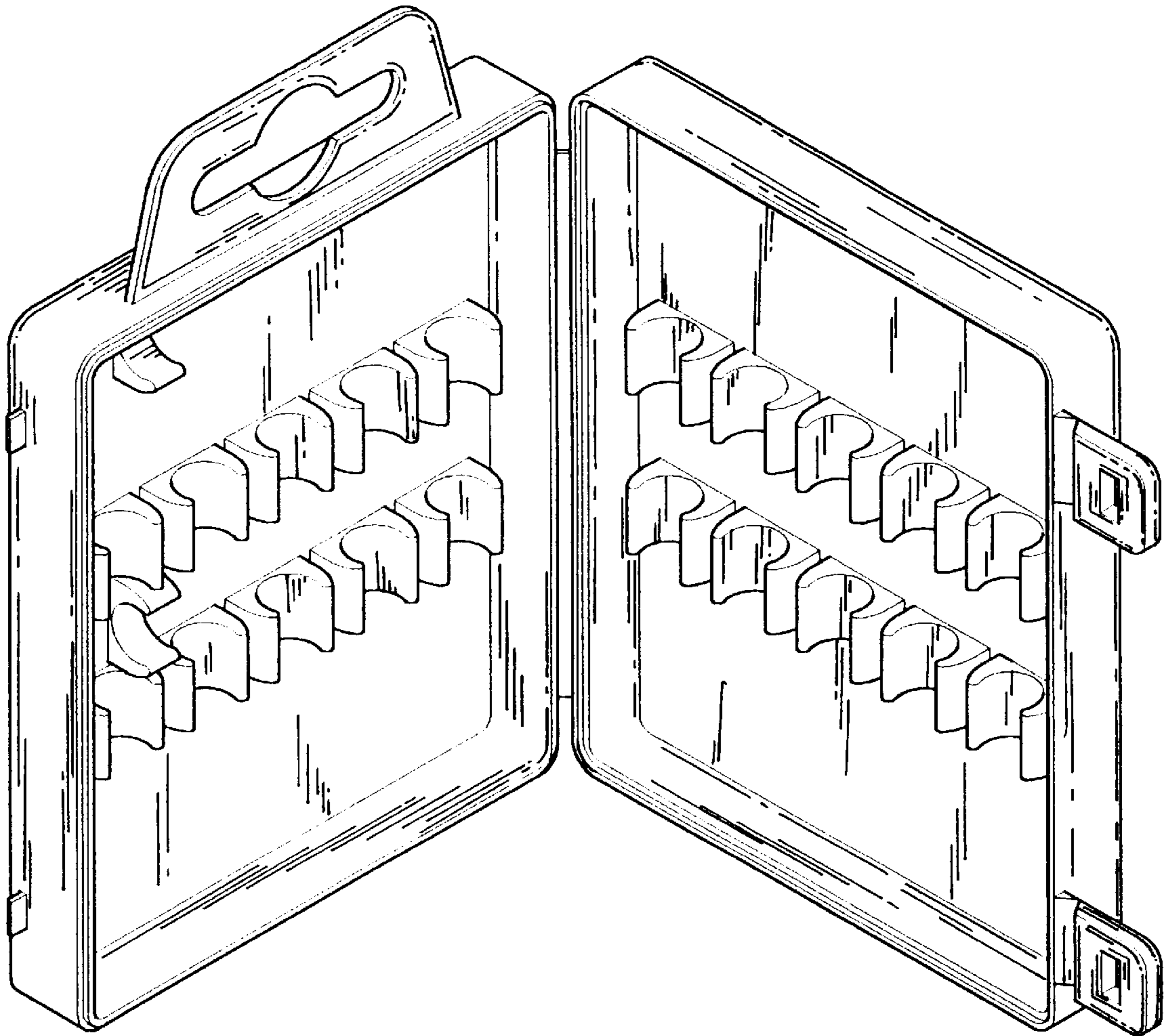


FIG. 8

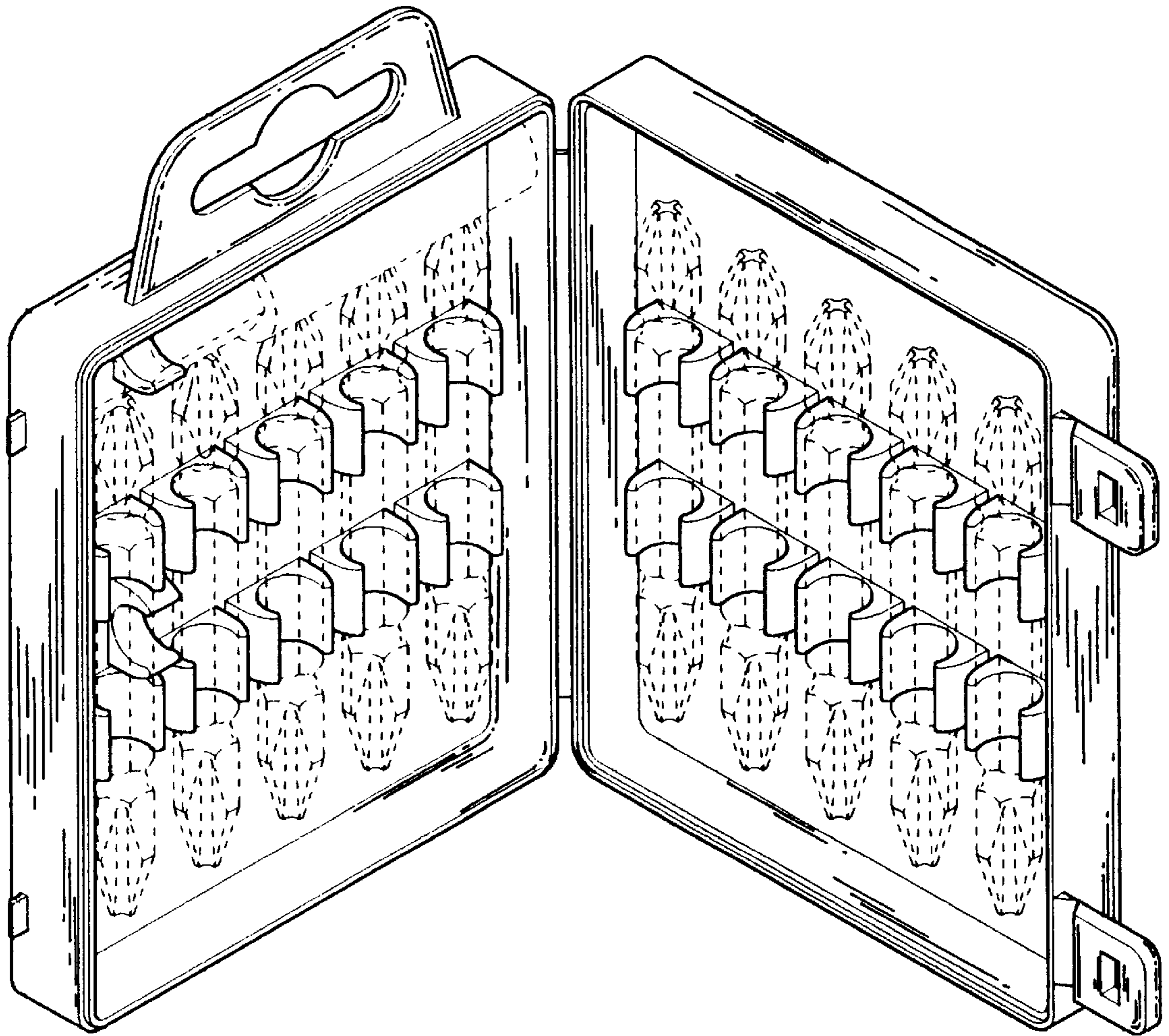


FIG. 9